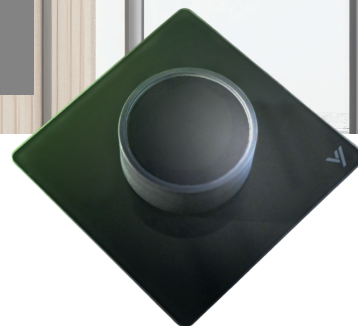


# Technical Data Sheet

## EVYTRA-DIMMER CASAMBI



- Individually programmable via the Casambi app
- Design, functionality, and flexibility with a glass surface
- Rotary dimmer for controlling lighting scenes
- Black or white glass surface

<b>Operating voltage</b>	220 - 240 V
<b>Frequency</b>	50-60 Hz
<b>Power consumption</b>	5mA
<b>Connections</b>	L/N
<b>Screw terminal</b>	(2,5mm <sup>2</sup> maximal)
<b>Surface</b>	glass in black or white
<b>Dimensions (L x B x H)</b>	86 x 86 x 45 mm
<b>Maximum transmission power</b>	9W
<b>Zertification</b>	CE + UKCA
<b>IP-Protection</b>	IP 20
<b>IK-Protection</b>	IK 02

EVYTRA GmbH  
Sturmbühlstraße 180-184  
78054 Schweningen  
Germany



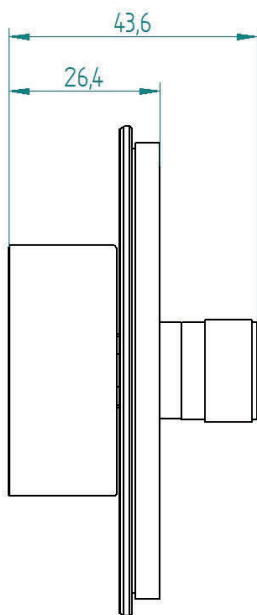
# Technical drawing

## EVYTRA-DIMMER CASAMBI

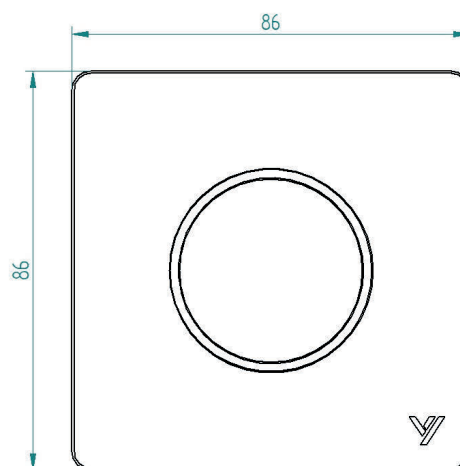


- Individually programmable via the Casambi app
- Design, functionality, and flexibility with a glass surface
- Rotary dimmer for controlling lighting scenes
- Black or white glass surface

**Figure 1 - Technical Drawing of the Energy Unit**



**Figure 2- Technical Drawing of the Front Panel**



EVYTRA GmbH  
Sturmbühlstraße 180-184  
78054 Schwenningen  
Germany



**EVYTRA**  
TOUCH BEYOND