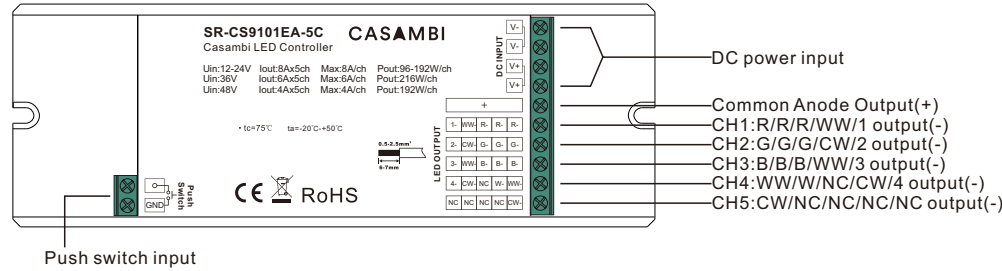


7 in 1 Casambi LED Controller



Important: Read All Instructions Prior to Installation

Function introduction



Product Data

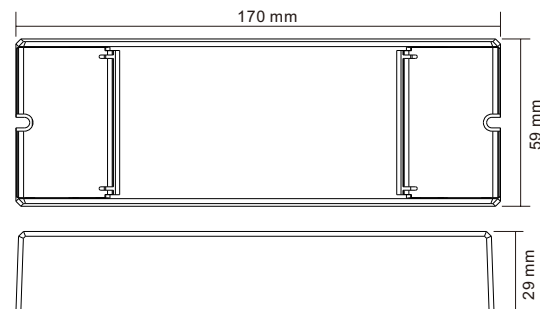
Input Voltage	Output Current	Output Power	Connector Current Rating	Wire Size	Remarks	Size(LxWxH)	Ambient Temperature	Max. Casing Temperature
12-48VDC	Max. 8A/CH@12V/24V Max. 6A/CH@36V Max. 4A/CH@48V	Max. 96W/CH@12V Max. 192W/CH@24V Max. 216W/CH@36V Max. 192W/CH@48V	Max. 20A	0.05-3.3mm ² (12-30AWG)	Constant voltage	170x59x29mm	-20°C ~ +50°C	75°C

- 7 in 1 Casambi LED Controller, works with Casambi network
- Enables to control ON/OFF, light intensity, color temperature, RGB color of connected LED lights
- Can be controlled by both Casambi App and Casambi wall switches
- Easy commissioning with Casambi App
- Casambi bluetooth, 2.4GHz radio frequency
- Radio range: 164 feet (50m) in open field. Actual range is dependent on field installation
- Can be controlled by existing push switches
- Push switch can be configured through Casambi App to control elements, luminaires, groups, scenes
- Waterproof grade: IP20

Safety & Warnings

- DO NOT install with power applied to device.
- DO NOT expose the device to moisture.

Product Dimension



Operation

7 profiles can be selected through Casambi App:

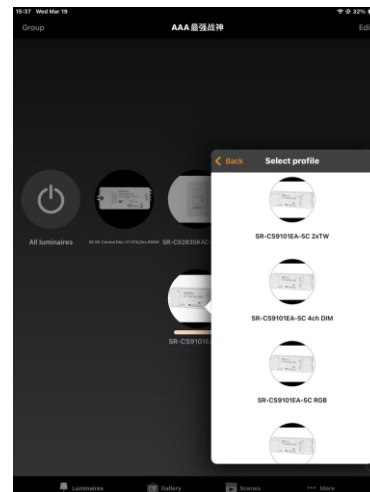
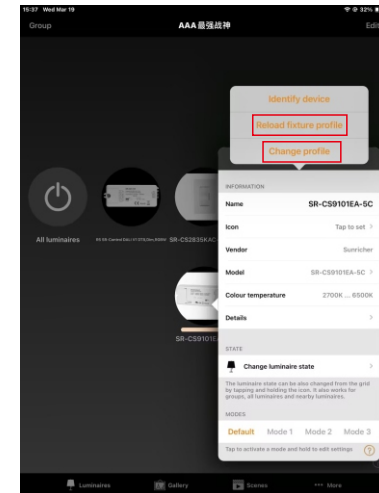
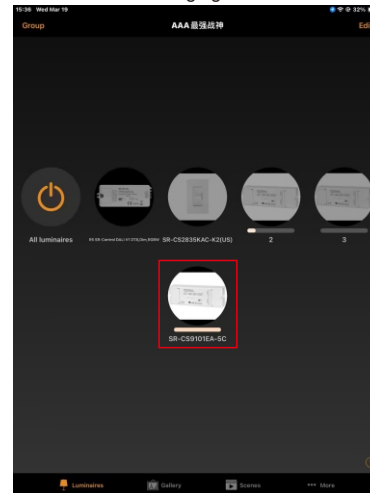
- RGBTW (RGB and tunable white separate control, no mix)
- RGB+TW (RGB and tunable white mix enabled)
- RGBW (RGB and white separate control, no mix)
- RGB+W (RGB and white mix enabled)
- RGB
- 2xTW (2 tunable white lights separate control)
- 4ch DIM (4 channel single color lights separate control)

Select Profile:

The factory default profile of this device is RGBTW, you can switch to other control modes through the operation of "Change profile". In the Luminaires tab, double-click the device, choose "Change profile" from the pop-up menu, and select the profile, as shown in the following figures.

Firmware OTA Update:

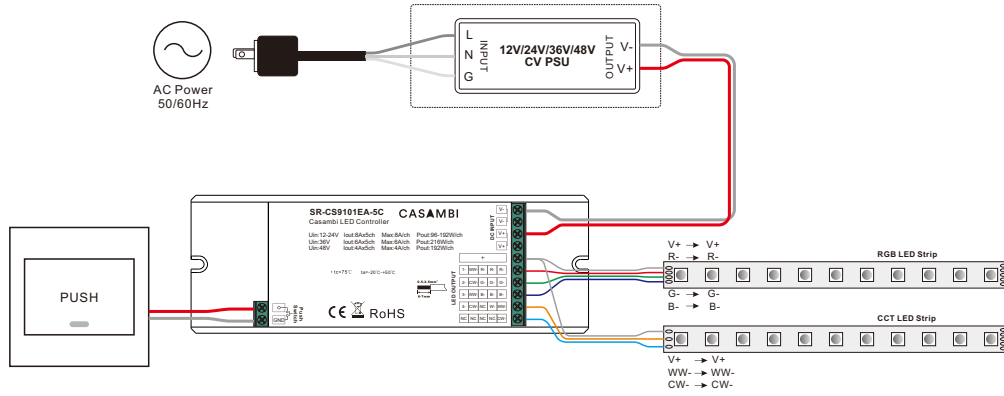
To upgrade the firmware, first tap "check for updates" on the Nearby devices page, then navigate to the Luminaires tab, double-click the device, and choose "Reload fixture profile" from the pop-up menu to upgrade to the latest firmware, as shown in the following figures.



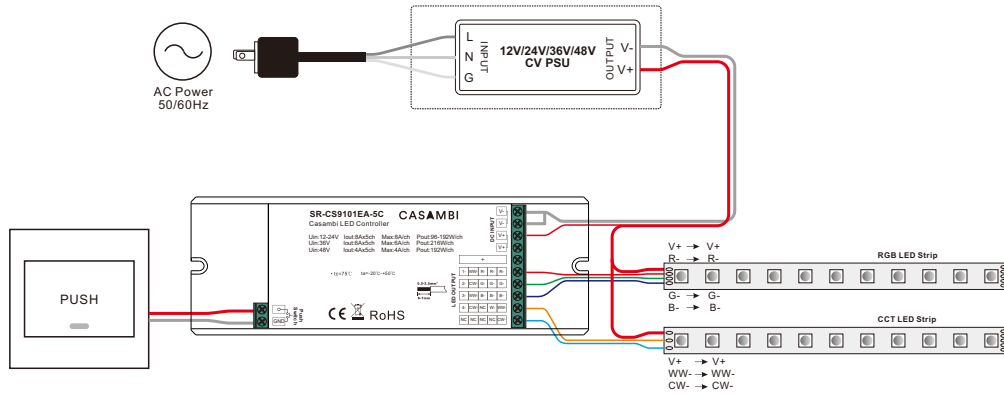
Wiring Diagram

RGBTW & RGB+TW Mode

1) When total load of each receiver is not over 20A

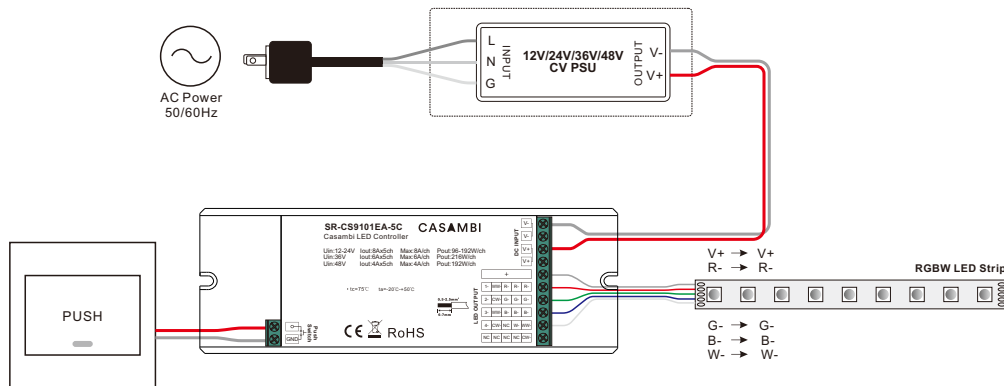


2) When total load of each receiver is over 20A

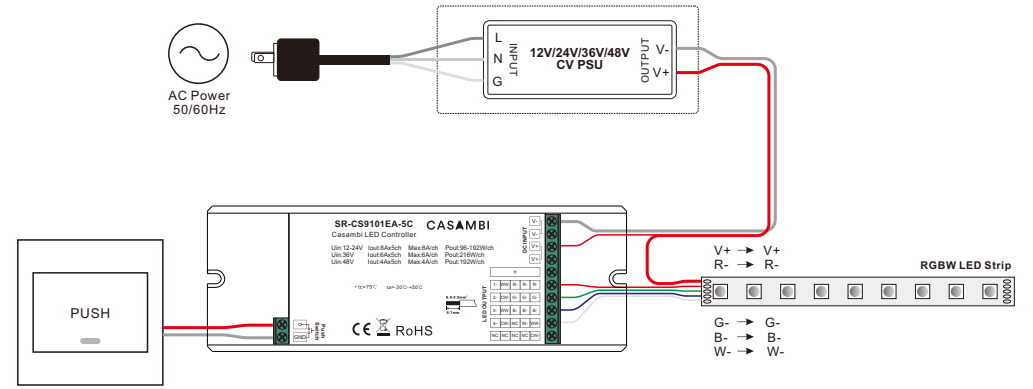


RGBW & RGB+W Mode

1) When total load of each receiver is not over 20A

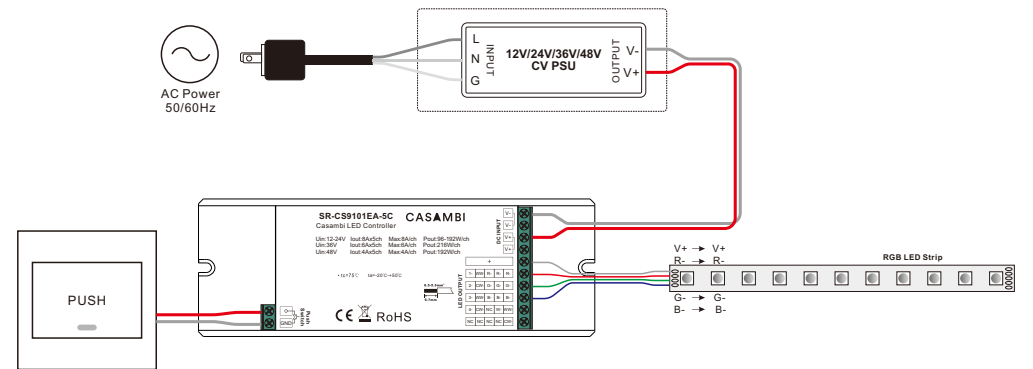


2) When total load of each receiver is over 20A

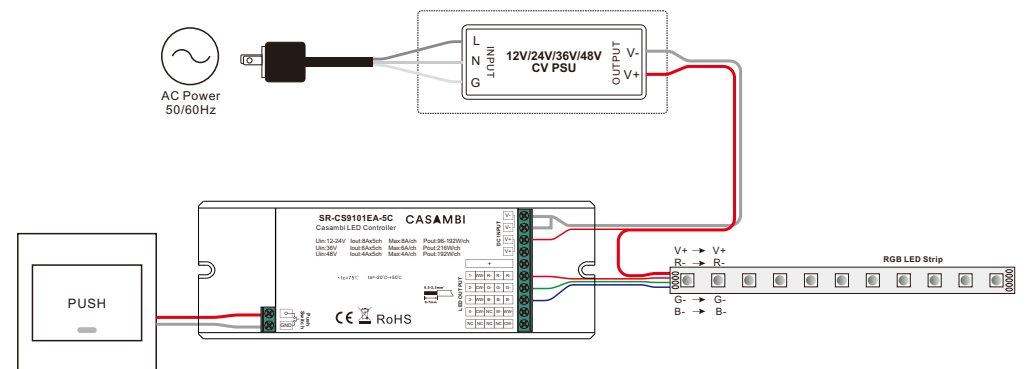


RGB Mode

1) When total load of each receiver is not over 20A

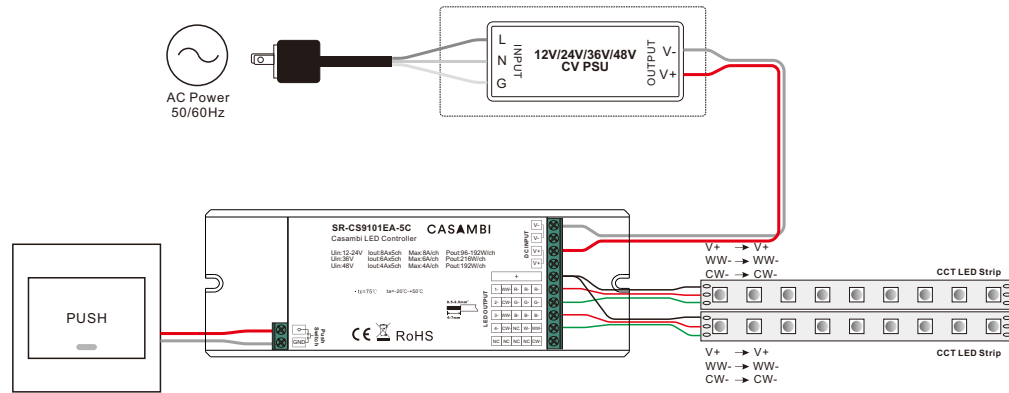


2) When total load of each receiver is over 20A

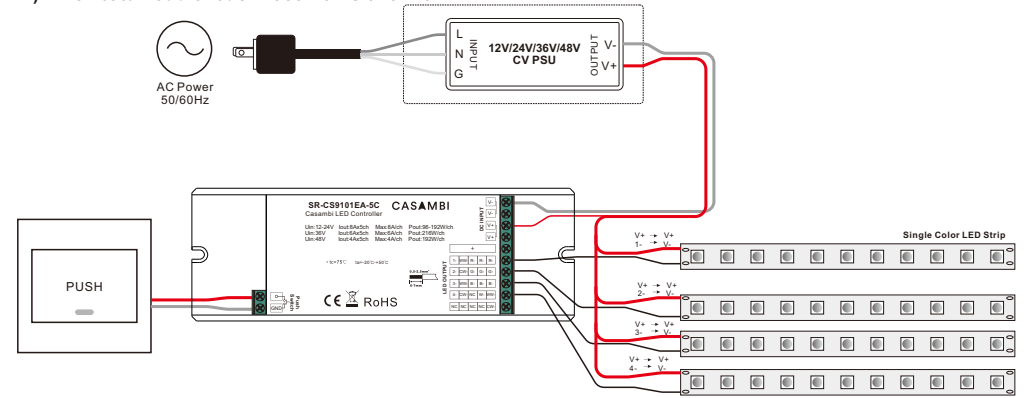


2xTW Mode

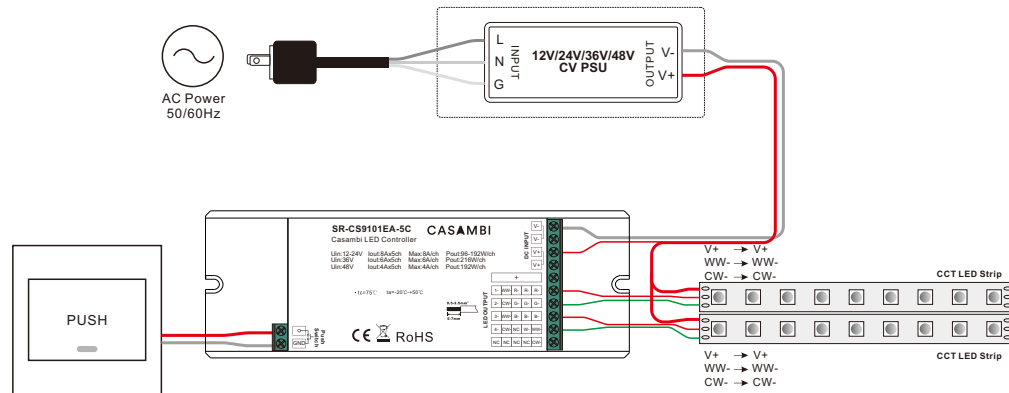
1) When total load of each receiver is not over 20A



2) When total load of each receiver is over 20A



2) When total load of each receiver is over 20A



4ch DIM Mode

1) When total load of each receiver is not over 20A

