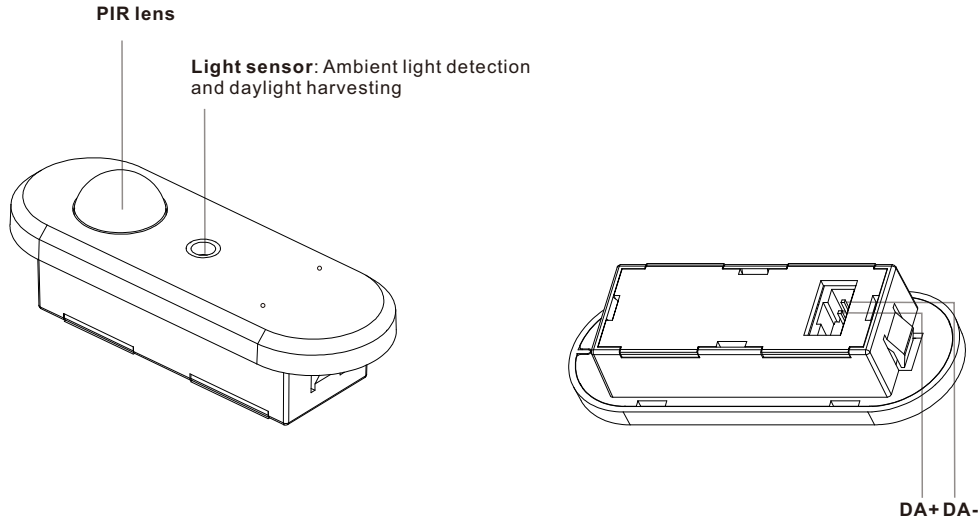


Casambi Wireless Fixture Mounted PIR Sensor + Light Sensor + DALI Dimming



Important: Read All Instructions Prior to Installation

Function introduction



Product Description

The fixture-Integrated sensor combines presence sensing, daylight harvesting, DALI dimming and Casambi radio technology into a small package that fits into various luminaires. When used with DALI LED drivers, it enables any lighting manufacturer to deliver wirelessly-controllable and sensor-equipped fixtures with minimal engineering effort. The sensor-equipped luminaires just need to be connected to mains power. The result is increased occupant comfort and significant energy savings that meet the most demanding building energy codes.

Casambi Technology Explained

The Casambi technology provides a mesh network where all the intelligence of the system is replicated in every node and, in such a way, creates a system with no single point of failure. In this kind of fully distributed architecture, any unit can go offline and catch up from others when they return back online.

Wireless Features

- Control a large number of fixtures from any point
- Simple to use UI
- Wide range of functionality – Grouping Luminaires, different lighting situations for different occasions, colour temperature, daylight sensor, occupancy sensor and much more.

Key Features

- PIR motion detection
- Daylight harvesting
- Works with DALI-2 D4i drivers or non-D4i drivers, broadcast control
- Autonomous sensor-based control
- Fixture mount installation
- Can be use for indoor applications

Applications

- Open offices
- Individual offices
- Conference rooms
- Classrooms
- Retail stores
- Hospitals
- Lobbies

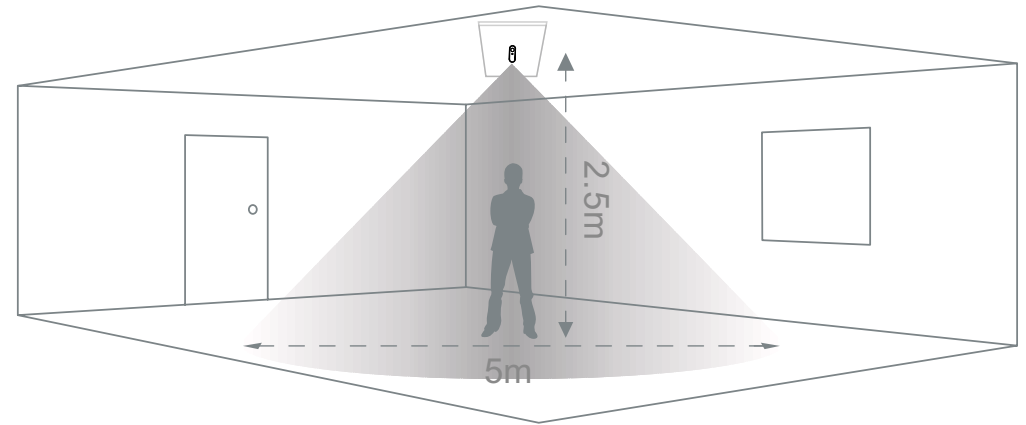
Benefits

- Cost-effective solution for energy savings
- Energy code compliance
- Robust mesh network

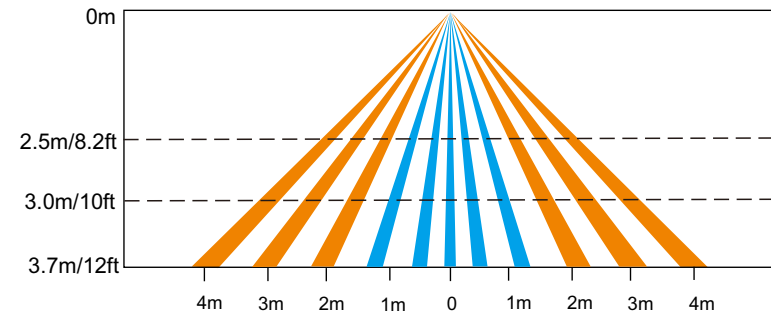
Product Data

Input		DALI BUS consumption	Control		Environment		Others
Power	Signal	Current	Dimming Curve	Dimming Method	Operating temperature	Relative humidity	Size
DALI BUS	Bluetooth	Max. 30mA	Logarithmic	DALI	0°C~+45°C	8% to 80%	See dimensions

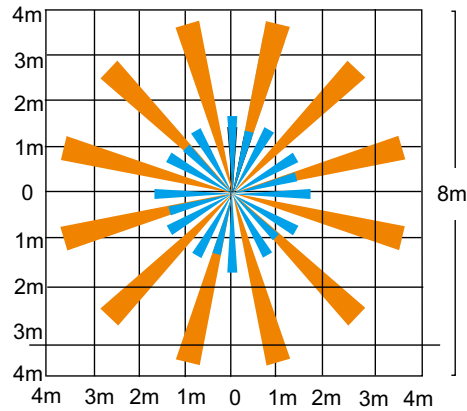
Detection Pattern



Coverage Side View



Coverage Top View

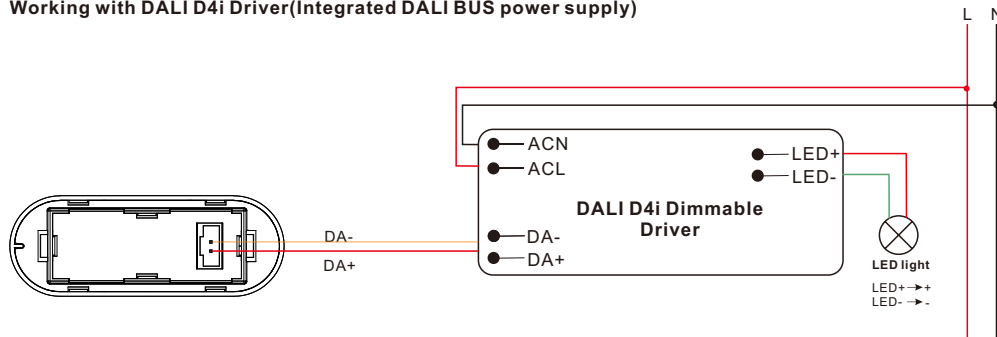


The detection area for movement sensor can be roughly divided into two parts:

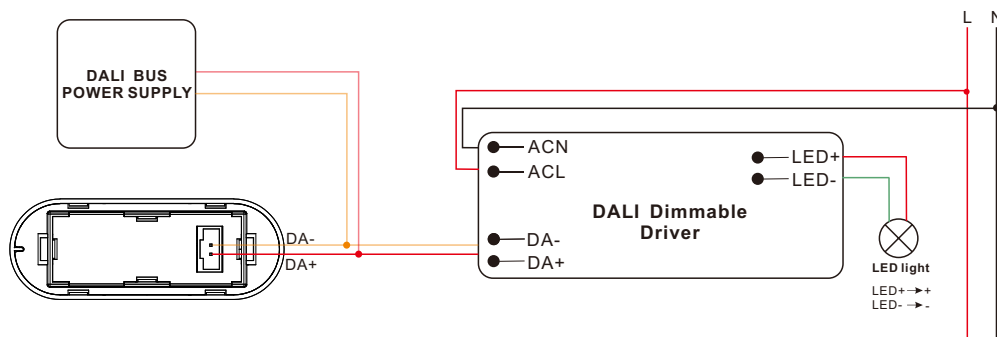
- Slow movement (person moving < 1.0'/s or 0.3m/s)
- Quick movement (person moving > 1.3'/s or 0.4m/s)

Wiring Diagram

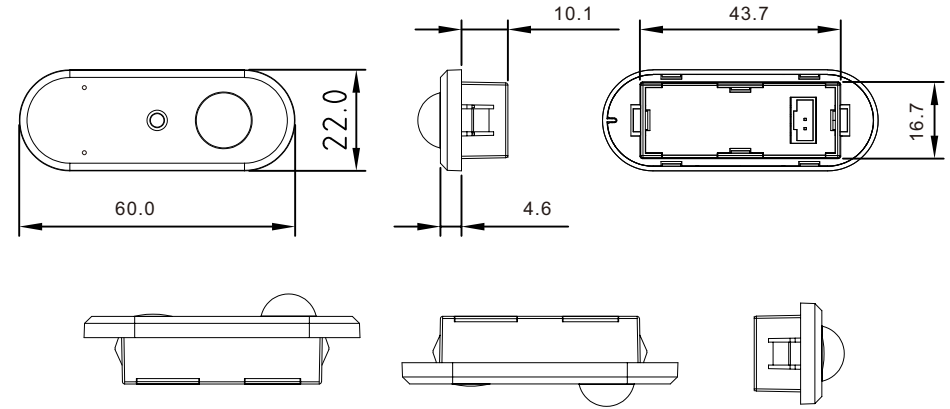
Working with DALI D4i Driver(Integrated DALI BUS power supply)



Working with DALI System (DALI Bus power supply)



Product Dimension



Operation

Select Profile:

Factory default profile of this device is DALI DIM Broadcast, you can select a profile through the operation of "Change profile".

Power on the device, make sure the device is unpaired, open Casambi app, navigate to "Nearby devices", the device will be displayed, double click the device, then choose "Change profile" from the pop up menus, then select a profile as shown in following figures.

