



CATALOG
2026

education
life science
industry



contents

euromex MICROSCOPE COLLECTION 2026



EDUCATION biological microscopes	1
EDUCATION stereo microscopes	2
LIFE SCIENCE biological microscopes	3
LIFE SCIENCE fluorescence microscopes	4
LIFE SCIENCE stereo microscopes	5
INDUSTRY stereo microscopes	6
INDUSTRY materials science microscopes	7
DIGITAL SOLUTIONS all sectors	8
ACCESSORIES for microscopy	9
OTHER OPTICAL PRODUCTS magnifiers instruments	10

about euromex

Euromex Microscopes is a leading manufacturer of microscopes and other optical instruments. Founded in 1966, Euromex has become a world-class supplier of biological, stereo and metallurgical microscopes

The corporate office is based in Duiven, the Netherlands. A facility with a logistics warehouse, an opto-mechanical workshop, an R&D department and a high-level quality control department

Around the world, Euromex operates in more than 120 countries through distributors, resellers and agents. A wide variety of customers such as schools and educational institutes, clinical and research laboratories and a broad range of industrial customers are using Euromex microscopes

Explore Euromex's extensive product range in this comprehensive 2026 grand catalog or visit us online at www.euromex.com

Physix Photonics is an affiliated company of Euromex Microscopes and specializes in the

production of optical components and optical assemblies. The offering varies from custom plan and curved optics to uniquely shaped optical elements, provided with optical coatings, covering wavelengths from deep ultraviolet (DUV) to infrared (IR). Euromex draws on the extensive expertise of Physix engineers to meet the stringent requirements for optical components used in microscopy manufacturing. For comprehensive details about Physix Photonics, please visit www.physix.com

Euromex Microscopes and Physix Photonics are both subsidiaries of **GSI Group Holdings**, a collection of leading brands serving the biotech, clinical diagnostics, life sciences, education and industrial sectors with a broad array of mission-critical laboratory-related consumable supplies, benchtop equipment and related accessories. GSI Group Holdings is headquartered in Irvine, California, USA. For more details about the brands and activities of the companies under GSI Group Holdings, please visit www.gsigroupholdings.com

1 EDUCATION | BIOLOGICAL MICROSCOPES

MicroBlue • EcoBlue • BioBlue
BioBlue.Lab • BlueScope • bScope • iScope

2 EDUCATION | STEREO MICROSCOPES

EduBlue • StereoBlue
NexiusZoom • AP series

3 LIFE SCIENCE | BIOLOGICAL MICROSCOPES

BlueScope • bScope • BioBlue.Lab • iScope • Achios-X Observer
Delphi-X Observer • Delphi-X Inverso • Oxion Inverso

4 LIFE SCIENCE | FLUORESCENCE MICROSCOPES

bScope • iScope • Achios-X Observer • Delphi-X Observer • Achios-X Inverso
Delphi-X Inverso • Oxion Inverso • fluorescence LED light sources • fluorescence filter sets

5 LIFE SCIENCE | STEREO MICROSCOPES

StereoBlue • NexiusZoom (EVO)
UltraZoom • DZ series • Z series

6 INDUSTRY | STEREO MICROSCOPES

NexiusZoom, -EVO and -ESD • NexiusZoom for gemology
UltraZoom • StereoBlue • DZ series • Z series • BE-18 series

7 INDUSTRY | MATERIALS SCIENCE MICROSCOPES

bScope • bScope large samples • iScope • Achios-X Observer
Delphi-X Observer • Oxion Inverso • Achios-X Inverso • Delphi-X Inverso

8 DIGITAL SOLUTIONS

digital microscopes • MacroZooms • USB cameras • WiFi camera
cooled cameras • HD cameras • tablet cameras • software • adapters

9 ACCESSORIES | FOR MICROSCOPY

illumination solutions • preparation accessories • dissection kits
microscope prepared slides • Globe professional microscope slides • disposables • stains

10 OTHER OPTICAL PRODUCTS

magnifiers & measuring microscopes
refractometers • polarimeters • spectroscopes



euromex.academy

Visit our academy for video tutorials and manuals



View the product videos on YouTube

choose the right microscope



microscope selector

We created a guide to help you find the right microscope for your specific application. A list of recommended models for most common applications in education, life science and industry can simplify your choice

[SEE PAGE 410](#)

At the end of the catalog you will also find an index page, listing the products featuring in this catalog alphabetically

[SEE PAGE 418](#)

Achios-X
observer

FEATURED

life science

biological microscopes

LIFE SCIENCE
BIOLOGICAL MICROSCOPES

LIFE SCIENCE
BIOLOGICAL MICROSCOPES

3

3



Achios-X Observer

Discover the new Achios-X Observer microscopes
for life science, page 104



biological microscopes



product information

Euromex offers a wide range of life science microscopes
that are used by researchers and biologists worldwide

On the next pages you will find details about our different models and we will get you introduced to
technologies in microscopy such as the iCare sensor, CSS system and LED technology,
which brings Euromex users to the next level of microscopy



product information

- BLUESCOPE • 78
- BSCOPE • 82
- BIOBLUE.LAB • 90
- ISCOPE • 94
- ACHIOS-X OBSERVER • 104
- DELPHI-X OBSERVER • 112
- ACHIOS-X INVERSO • 122
- DELPHI-X INVERSO • 128
- OXION INVERSO • 134

BlueScope



BlueScope

The all new microscopes of the BlueScope series are designed for universities and small laboratories. These microscopes are equipped with a rotating head that can be adjusted in two heights and have a rackless stage for user safety and ergonomics. A color-coded condenser, quick focus aid and a storage compartment makes this microscope very easy to use



● BL.1152



product information

Transmitted	Köhler	Dual LED	NeoLED

BL.XXX1 MONO	370 (h) x 169 (w) x 205 mm (d) 2.8 kg
BL.XXX2 BINO	365 (h) x 169 (w) x 205 mm (d) 4.2 kg
BL.XXX3 TRINO	409 (h) x 169 (w) x 205 mm (d) 4.3 kg

HIGHLIGHTS

- WF 10x/20 mm eyepieces
- Models with an integrated 5.0 MP CMOS camera, with a 7" LCD screen or tablet
- Universal USB-C 5V charging port
- Smart storage compartment
- Slot for polarization filter
- Integrated mechanical X-Y stage
- Color-coded height adjustable condenser
- Köhler illumination
- Dual colored illumination:
3 W white & halogen colored NeoLED™
- Quick focus aid
- 10 Years warranty



● The back of the BlueScope

SPECIFICATIONS

EYEPIECE(S)

Wide field WF 10x/20 mm secured eyepieces.
The eyepiece of monocular models is supplied with pointer

HEAD

- Monocular models with 45° inclined tubes
- Binocular and trinocular models have 30° inclined tubes, interpupillary distance is adjustable between 48 and 75 mm and equipped with a ± 5 diopter adjustment on both tubes
- All heads are 360° rotatable. The trinocular head has a fixed light path beam splitter (50:50) and generates an erect image
- The BlueScope can also be supplied with a discussion head
- Models with an integrated 5.0 MP CMOS camera, with a 7" LCD screen or tablet available (See chapter 8)

NOSEPIECE

Reversed quadruple nosepiece on ball bearings

OBJECTIVES - 45 MM PARFOCAL

All models are supplied with Semi Plan 4x/0.10, 10x/0.25 and S40x/0.65 objectives. The S40x, S60x (optional) and S100x (optional) objectives are spring loaded

All optics are anti-fungus treated and anti-reflection coated for maximum light throughput

FOCUSING

Coaxial coarse and fine adjustments with 100 graduations. Precision 2 µm per graduation, 0.2 mm per rotation. Total travel range is approximately 10 mm. Supplied with an adjustable rack stop to prevent damage to sample and objectives. Improved coarse & fine adjustment, which is equipped with tension control. With quick focusing aid for finding the slides focusing region with ease

STAGE

Rackless 140 x 135 mm stage with mechanical 70 x 50 mm X-Y translation stage

CONDENSER

Color coded, height adjustable Abbe condenser N.A. 1.25 with iris diaphragm and filter holder

KÖHLER ILLUMINATION

Köhler illumination ensures the highest possible contrast and the maximum achievable resolving power. It generates a uniform illumination of the sample and eliminates all interference from dust on lenses and side glare of the light source

ANTI-THEFT SLOT

At the back of the microscope a Kensington Security slot is placed, which can be used to secure the instrument from theft

about

Antoni van Leeuwenhoek

1632, Delft, the Netherlands

As a cloth merchant, Antoni van Leeuwenhoek became familiar with the use of magnifying glasses, which he used to check the quality of the fabric and the density of the weave. Eventually he began to grind and polish his own lenses. Around 1670 he developed the single microscope, which could magnify many times more than the compound microscopes of that time

VAN LEEUWENHOEK'S MICROSCOPE

The design of Van Leeuwenhoek's microscopes is relatively simple: a small glass lens riveted between two metal plates. The preparation sits on a pin that can move up and down and closer or further from the lens with screws in order to focus

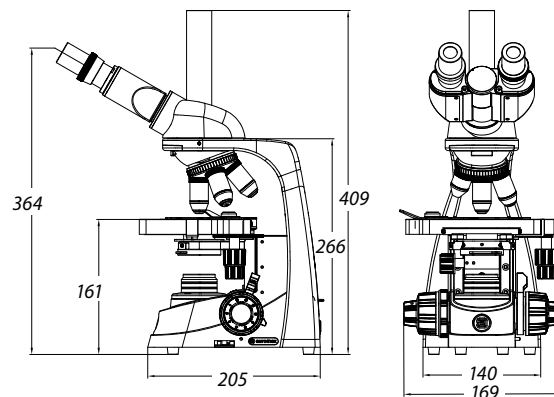
Where contemporaries' microscopes reached a magnification of around 30x, Van Leeuwenhoek made microscopes that were much more powerful. Most of Van Leeuwenhoek's microscopes magnified about 80x, but there were also outliers with a magnification factor of 250, which was phenomenal for the time



DUAL ILLUMINATION SYSTEM

- 3 W white NeoLED™: 6000 – 6500 K, ideal for standard observations with crisp, cool lighting
- 3 W halogen colored NeoLED™: 3000 – 3200 K, enhances contrast for specific applications such as transparent objects

DIMENSIONS



PACKAGE CONTENT

Supplied with blue filter, Allen key, 5 ml immersion oil, 100-240 Vac / 5 Vdc USB multi-plug power adapter, 3 rechargeable type AA batteries, manual and dust cover

MODELS	Mono	Bino	Trino	Digital	Digital tablet	Digital 7" LCD	4/10/40x objectives	S60x objective	S100x objective	Mechanical X-Y Stage	Dual color NeoLED™
BL.1051	•						•			•	•
BL.1151	•						•		•	•	•
BL.1651	•						•	•		•	•
BL.1152		•					•		•	•	•
BL.1652		•					•	•		•	•
BL.1153			•				•		•	•	•
BL.1653			•				•	•		•	•
BL.1055	•			•			•			•	•
BL.1057		•		•			•			•	•
BL.1057-T		•			•		•			•	•
BL.1050-LCD						•	•			•	•

See chapter 8

ACCESSORIES

EYEPIECES

Ø 23.2 mm tube

- BL.6010** WF 10x/20 mm eyepiece
- BL.6010-P** WF 10x/20 mm eyepiece with pointer
- BL.6010-M** WF 10x/20 mm eyepiece with micrometer scale
- BL.6015** WF 15x/13 mm eyepiece
- BL.6020** WF 20x/12 mm eyepiece
- BL.6025** WF 25x/8 mm eyepiece
- BL.6099** Pair of eyecups

OBJECTIVES

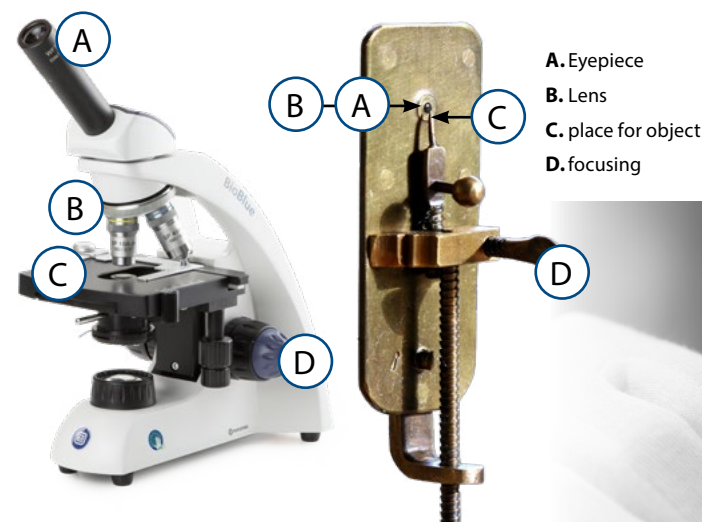
SMP Semi Plan objectives

- BL.7104** 4x/0.10 SMP objective. WD 16 mm
- BL.7110** 10x/0.25 SMP objective. WD 4.60 mm

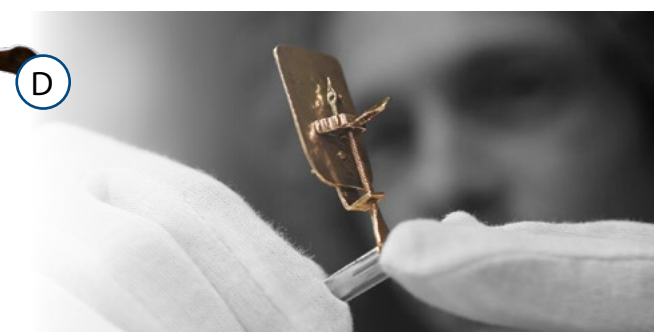
- BL.7120** 20x/0.40 SMP objective. WD 0.90 mm
 - BL.7140** S40x/0.65 SMP objective. WD 0.68 mm
 - BL.7160** S60x/0.85 SMP objective. WD 0.60 mm
 - BL.7100** S100x/1.25 oil immersion objective. WD 0.21 mm
- WD = working distance

MISCELLANEOUS

- BL.9700** Blue filter
- BL.9710** Frosted white filter
- BL.9981** 3 W NeoLED™ replacement unit
- BL.9900** Aluminum case
- AE.9918** Nylon microscope bag



- A.** Eyepiece
- B.** Lens
- C.** place for object
- D.** focusing



BIOLOGICAL MICROSCOPES

bscope™

NeoLED™
euromex optical technology

LIFE SCIENCE
BIOLOGICAL MICROSCOPES

LIFE SCIENCE
BIOLOGICAL MICROSCOPES

3

3

bScope

versatile and evolutive!

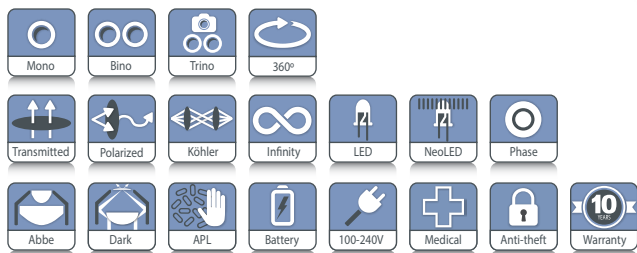
The well-equipped microscopes of the bScope series are intensively used in universities, small and mid-sized laboratories and in veterinary applications

The design of the bScope is both ergonomic and evolutive. Height adjustable eye tubes and low stage controls minimize fatigue during long working sessions and thus provide more comfort for microscopists. The robust, compact size of the

bScope and the Cable Storage System allow more working space, safer operation and enable easy storage



product information



● BS.1153-EPLi

MONO: BS.1151-EPL
385 (h) x 235 (w) x 195 (d) 6.3 kg
BINO: BS.1152-EPL / BS.1152-EPLi / BS.1152-PLi
409 (h) x 195 (w) x 235 mm (d) 6.5 kg
TRINO: BS.1153-EPL / BS.1153-EPLi / BS.1153-PLi
459 (h) x 195 (w) x 235 mm (d) 6.6 kg



● BS.1152-PLi

● BS.1151-EPL

SPECIFICATIONS

EYEPIECE(S)

High wide field HWF 10x/20 mm secured eyepiece(s) with 20 mm field of view (Ø 23.2 mm tube). The eyepiece of monocular models is supplied with pointer

HEAD

The bScope is available with a monocular head (45° inclined Ø 23.2 mm tube) or with binocular or trinocular heads equipped with a Siedentopf type head, 360° rotatable and equipped with 30° inclined Ø 23.2 mm tubes. Binocular and trinocular models have a diopter ± 5 adjustment on the left eyepiece. The interpupillary distance is adjustable between 48 to 76 mm. The models equipped with plan infinity corrected PLi objectives have a unique swiveling system of the eyepiece tubes for ergonomic positioning of both tubes in a high (431 mm) and in a low position (377 mm). The trinocular head comes with a Ø 23.2 mm tube, ensuring a maximum of flexibility and has a fixed light path beam splitter (20:80) and generates an erect image. Models with an integrated USB-2.0 camera are supplied with a 5.0 MP 1/2.5" CMOS sensor with a resolution of 2592 x 1944 pixels (see chapter 8)

NOSEPIECE

Revolving and reversed ball-bearing quadruple or quintuple nosepiece

HIGHLIGHTS

- Monocular, binocular and trinocular models
- Digital models available
- HWF 10x/20 mm eyepieces
- Diopter adjustment on both tubes
- Reversed ball-bearing quadruple or quintuple nosepiece with slot for polarization filter
- E-plan, E-plan IOS and plan IOS objectives
- Plan phase IOS objectives
- Color coded condenser
- Rackless integrated mechanical X-Y stage
- 3 W NeoLED™ adjustable illumination system
- Darkfield cardioid condenser with 3 W NeoLED™
- Integrated carrying grip
- Cable Storage System and anti-theft system
- 10 Years warranty

OBJECTIVES - 45 MM PARFOCAL

The state-of-the-art production techniques and multi-layer coatings used for the manufacturing of the bScope objectives enable the bScope to be used for the most demanding applications. World class spherical aberration correction and modern CNC and assembly technology ensure the perfect centering of the objectives

- Brightfield models: E-plan, E-plan IOS infinity corrected, plan IOS infinity corrected 4x/0.10, 10x/0.25, 20x/0.40, S40x/0.65, S60x/0.85 and S100x/1.25 oil immersion objectives
- Phase contrast models: Plan phase IOS infinity corrected 10x/0.25, 20x/0.40, S40x/0.65 and S100x/1.25 oil immersion objectives
- Darkfield model: E-plan 4x/0.10, 10x/0.25, 20x/0.40, S40x/0.65, S60x/0.85 objectives. The s100x/1.25 oil immersion objective has a built-in iris diaphragm

All S40x, S60x and S100x oil immersion objectives are spring loaded. All optics are anti-fungus treated and anti-reflection coated for maximum light throughput

FOCUSING

Double coaxial, low-positioned coarse and fine adjustments with 180 graduations. Precision 1.1 μm , 200 μm per rotation, total travel range is approximately 19 mm. Supplied with an adjustable rack stop to prevent damage to sample and objectives. The coarse adjustment is equipped with friction control

STAGE

The bScope is equipped with a scratch resistant 152/197 x 131 mm stage with integrated 75 x 36 mm rackless mechanical X-Y stage, Vernier scale, soft-close removable specimen holder. The rackless stage has no protruding parts, enables smoother movements and is safer in use. Low-positioned X-Y control knobs prevent fatigue during long working sessions. The bScope can be equipped with a heating stage which can be set up to 50° Celsius by a PID temperature controller. Only available with newly purchased microscopes

CONDENSER FOR BRIGHTFIELD

The standard height adjustable Abbe N.A. 1.25 condenser for brightfield comes with an iris diaphragm and swing-out filter holder. The condenser is color coded. Optionally available swing-out Abbe condenser (BS.9105)

CONDENSER FOR ZERNIKE PHASE CONTRAST

The height adjustable Zernike NA. 1.25 phase contrast disc condenser comes with phase annuli for 10/20/S40x and S100x phase contrast oil objectives, an iris diaphragm, a swing-out filter holder and also a BF position for brightfield contrast. Phase contrast objectives exist in PL-PHI phase contrast version. Supplied with alignment telescope and green filter

CONDENSER FOR SIMPLE PHASE CONTRAST

The height adjustable NA. 1.25 simple phase contrast condenser has a free slot for either a slider for 10/S40x phase contrast objectives or a slider for 20/S100x phase contrast oil objectives. The condenser has an iris diaphragm and filter holder. The condenser includes a BF position for brightfield contrast with an iris diaphragm and filter holder. Phase contrast objectives exist in PL-PHI version. Supplied with alignment telescope and green filter

POLARIZATION

The bScope has an integrated slot above the nosepiece for an optional polarization filter

NEOLED™ ILLUMINATION

The 3 W adjustable Köhler NeoLED™ diascopic illumination is powered by an internal 100-240 V power supply making it suitable for worldwide use. The innovative NeoLED™ design offers larger apertures, allowing the optical system of the bScope microscope to produce images at higher resolutions, very close to the theoretical diffraction limit of the optics. Other benefits of the NeoLED™ is the low energy consumption, no heating and a long operating life span



Swing-out Abbe condenser 0.9/1.25 NA (BS.9105)



Zernike phase contrast condenser with filter holder



Ergonomic carrying grip for easy transportation

DARKFIELD EQUIPMENT

The BS.1153-EPL/DF is equipped with a darkfield oil immersion cardioïd mirror condenser with an integrated 3 W LED illumination and a plan PL S100x oil immersion objective with built-in iris



Darkfield cardioïd mirror condenser

KÖHLER ILLUMINATION

A Köhler illumination system ensures for all infinity corrected IOS models the highest possible contrast and the maximum achievable resolving power. It generates a uniform illumination of the sample and eliminates all interference from dust on lenses and side glare of the light source. The Köhler illumination is optional for non-IOS models

CORDLESS USE

The optional rechargeable AA batteries turn the bScope into a cordless system

CSS – CABLE STORAGE SYSTEM

Allows users to easily stow away excess cable length into the back of the instrument during operation and to roll up the power cable for easy storage

CARRYING GRIP

The integrated carrying grip at the back of the microscope ensures safe transportation of the microscope

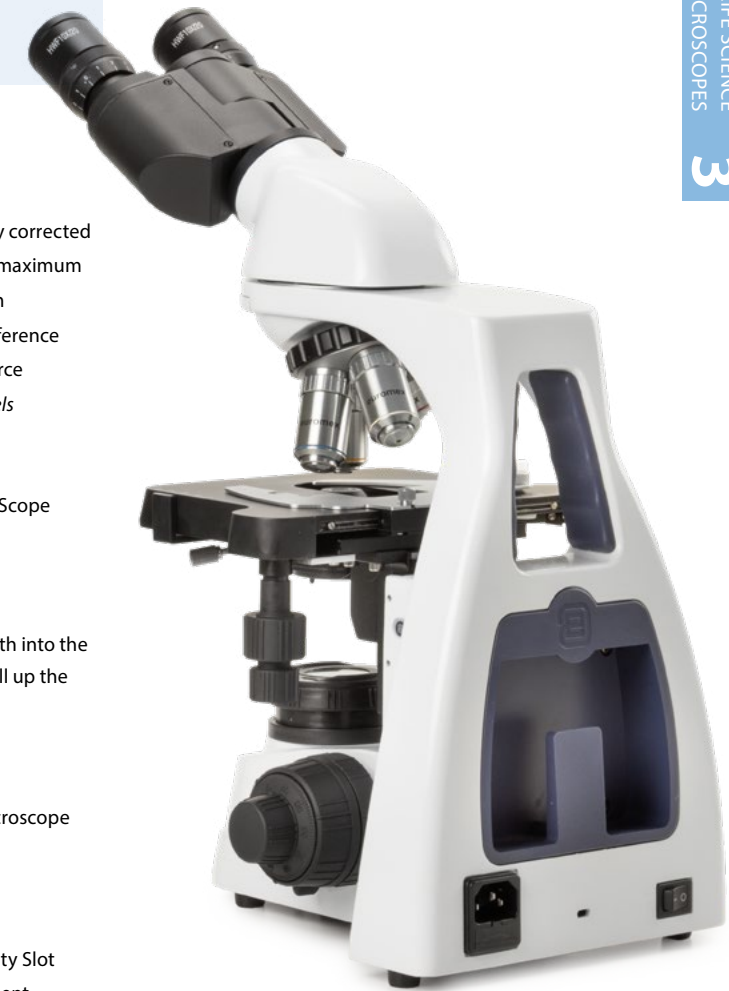
ANTI-THEFT SLOT

At the back of the microscope a Kensington Security Slot is placed, which can be used to secure the instrument from theft

PACKAGE CONTENT

Smart polystyrene packaging ensures a low environmental footprint while maintaining maximum safety during transport. Supplied with power cord, dust cover, tools, a spare fuse, white filter, user manual and 5 ml immersion oil

Phase contrast models are supplied with green filter and alignment telescope. An optional aluminum case can be supplied



● CSS – Cable Storage System

BSCOPE FOR BRIGHTFIELD AND DARKFIELD *

MODELS	Bino	Trino	digital	HWF 10x/20 mm eyepieces	Quadruple nosepiece E-plan 4/10/S40/ S100x oil	Quadruple nosepiece plan IOS 4/10/S40/ S100x oil	Quintuple nosepiece E-plan IOS 4/10/ S40/S100x oil	Quintuple nosepiece plan IOS 4/10/S40/ S100x oil	Köhler NeoLED™	Neo- LED	2-position swiveling ergo head
BS.1152-EPL	•			•	•					•	
BS.1153-EPL		•		•	•					•	
BS.1153-EPL/DF*		•		•	•					•	
BS.1152-EPLi	•			•			•		•		•
BS.1153-EPLi		•		•			•		•		•
BS.1152-PLi	•			•				•	•		•
BS.1153-PLi		•		•				•	•		•
BS.1152-PLi/4N	•			•		•			•		•
BS.1153-PLi/4N		•		•		•			•		•
BS.1157-EPLi	•		•	•			•		•		•
BS.1157-PLi	•		•	•				•	•		•

See chapter 8

* BS.1153-EPL/DF model is equipped with a darkfield oil immersion cardioid mirror condenser and a S100x oil immersion objective with built-in iris diaphragm

Some models are also available as in vitro diagnostic medical devices class A - (EU) 2017/746. Contact your Euromex dealer

BSCOPE FOR PHASE CONTRAST *

MODELS	Bino	Trino	HWF 10x/20 mm eyepieces	Quintuple nosepiece plan phase IOS 10/20/S40/S100x oil	Köhler NeoLED™	2-position swiveling ergo head
BS.1152-PLPHi	•		•	•	•	•
BS.1153-PLPHi		•	•	•	•	•

* All models can be supplied with three rechargeable AA batteries

All models are equipped with a 152/197 x 131 mm stage with integrated 75 x 36 mm rackless mechanical X-Y stage

These models are also available as in vitro diagnostic medical devices class A - (EU) 2017/746. Contact your Euromex dealer

ACCESSORIES AND SPARE PARTS

EYEPIECES

Ø 23.2 mm tube

BS.6010	HWF 10x/20 mm eyepiece	BS.6012	WF 12.5x/14 mm eyepiece
BS.6010-P	HWF 10x/20 mm with pointer	BS.6015	WF 15x/11 mm eyepiece
BS.6010-C	HWF 10x/20 mm eyepiece with crosshairs	BS.6020	WF 20x/11 mm eyepiece
BS.6010-CM	HWF 10x/20 mm eyepiece, with 10/100 micrometer and crosshairs	BS.6099	Pair of eyecups

(H)WF = (high) wide field

OBJECTIVES

E-plan EPL, 45 mm parfocal

BS.7104	4x/0.10 EPL objective. WD 37.0 mm
BS.7110	10x/0.25 EPL objective. WD 6.61 mm
BS.7120	20x/0.40 EPL objective. WD 1.85 mm
BS.7140	S40x/0.65 EPL objective. WD 0.64 mm
BS.7160	S60x/0.85 EPL objective. WD 0.20 mm
BS.7100	S100x/1.25 EPL oil objective. WD 0.19 mm

Plan PL, 45 mm parfocal

86.521	S100x/1.25 PL oil immersion objective with built-in iris diaphragm. WD 0.33 mm
---------------	--

E-plan infinity corrected EPLi, IOS 45 mm parfocal

BS.8204	4x/0.10 EPLi objective. WD 18.9 mm
BS.8210	10x/0.25 EPLi objective. WD 5.95 mm
BS.8220	20x/0.40 EPLi objective. WD 2.61 mm
BS.8240	S40x/0.65 EPLi objective. WD 0.78 mm
BS.8200	S100x/1.25 EPLi oil objective. WD 0.36 mm

Plan infinity corrected PLi, IOS 45 mm parfocal

BS.8404	4x/0.10 PLi objective. WD 21.0 mm
BS.8410	10x/0.25 PLi objective. WD 5.0 mm
BS.8420	20x/0.40 PLi objective. WD 8.8 mm
BS.8440	S40x/0.65 PLi objective. WD 0.66 mm
BS.8400	S100x/1.25 PLi oil objective. WD 0.36 mm

Plan phase infinity corrected PLPHi, IOS 45 mm parfocal

BS.8710	10x/0.25 PLPHi objective. WD 5.0 mm
BS.8720	20x/0.40 PLPHi objective. WD 8.80 mm
BS.8740	S40x/0.65 PLPHi objective. WD 0.66 mm
BS.8700	S100x/1.25 PLPHi oil objective. WD 0.36 mm

WD = working distance



● BS.9126

● BS.9164

CONDENSERS

BS.9102	Abbe condenser 1,25 NA with slot for darkfield and phase contrast sliders
BS.9170	Darkfield stop for BS.9102 condenser
BS.9105	Swing-out Abbe condenser 0.9/1.25 NA

PHASE CONTRAST ATTACHMENTS

BS.9126	Zernike phase contrast kit with plan PLPHi 10/20/S40 and S100x oil phase contrast IOS infinity corrected objectives, Zernike rotating condenser, telescope and green filter
BS.9164	Phase contrast kit with Abbe condenser with slot for slider. Plan PLPHi phase S40x contrast objective, slider with 40x annuli, telescope and green filter
BS.9194	Slider with phase contrast annuli 40x. Needs BS.9102 condenser with slot
BS.9148	Alignment telescope for bScope IOS version with Ø 30 mm tubes
BS.9162	Phase contrast kit with Abbe condenser with slot for slider. Plan PLPHi i 10/S40x phase contrast infinity corrected objectives, slider with 10 and 40x annuli, telescope and green filter
BS.9163	Phase contrast kit with Abbe condenser with slot for slider. Plan PLPHi 20/S100x oil phase contrast infinity corrected objectives, slider with 20 and 100x annuli, telescope and green filter



POLARIZATION ATTACHMENTS

- BS.9660** Polarization kit: analyzer under head and polarizer on lamphouse
- AE.5152-N** Small rotatable stage to be used with BS.9660
- BS.9647** Polarization polarizer Ø 16 mm for slider under bScope head
- BS.9651** Polarization attachment for lamphouse of bScope with 360° scale

CAMERA ACCESSORIES

- AE.5130** Universal Ø 23.2 mm tube adapter with built-in 2x lens for SLR photo camera with APS-C sensor. Needs T2 adapter
- AE.5025** T2 adapter for Nikon D SLR digital camera
- AE.5040** T2 adapter for Canon EOS SLR digital camera

MISCELLANEOUS

- BS.9880** Köhler attachment
- BS.9577-L** Add-on for left handed mechanical X-Y stage (only with newly purchased microscope)
- BS.9870** Mirror attachment for bScope
- BS.9900** Aluminum transport case
- AE.9919** Nylon bag for bScope. 58(h) x 32(w) x 24(d)
- BS.9993** NeoLED™ replacement unit
- BS.9994** Halogen-NeoLED™ replacement unit
- AE.1370** Set of rechargeable AA batteries, three pieces
- AE.5226** Glass fuses 3A 250V, 10 pieces

DISPOSABLES

- PB.5155** Microscope slides 76 x 26 mm, ground edges, 50 pieces per pack
- PB.5157-W** Microscope slides 76 x 26 mm, ground edges and frosted side white color, 50 pieces per pack
- PB.5157-B** Microscope slides 76 x 26 mm, ground edges and frosted side blue color, 50 pieces per pack
- PB.5160** Microscope slides 76 x 26 mm with cavity, ground edges. 10 pieces per pack
- PB.5165** Coverglasses 18 x 18 mm, thickness 0.13-0.17 mm, 100 pieces
- PB.5168** Coverglasses 22 x 22 mm, thickness 0.13-0.17 mm, 100 pieces

- PB.5245** Lens cleaning paper, 100 sheets per pack
- PB.5255** Immersion oil (25 ml). $n = 1.515$
- PB.5274** Isopropyl alcohol 99% (200 ml)
- PB.5275** Cleaning kit: lens cleaning fluid, lint free lens tissues/paper, brush, air blower, cotton swabs
- PB.5276** Microscope maintenance and servicing kit, 16 pieces: cleaning brush, screwdriver set of 6, air blower, 3 Allen keys, 1.5, 2, 2.5 mm, lens cleaning fluid 20 ml, cleaning cloth 140 x 140 mm, 100 lens tissue sheets, tube of maintenance grease, 10 ml bottle of oil, packed in a nice toolbox



● AE.5152-N,
small rotatable stage

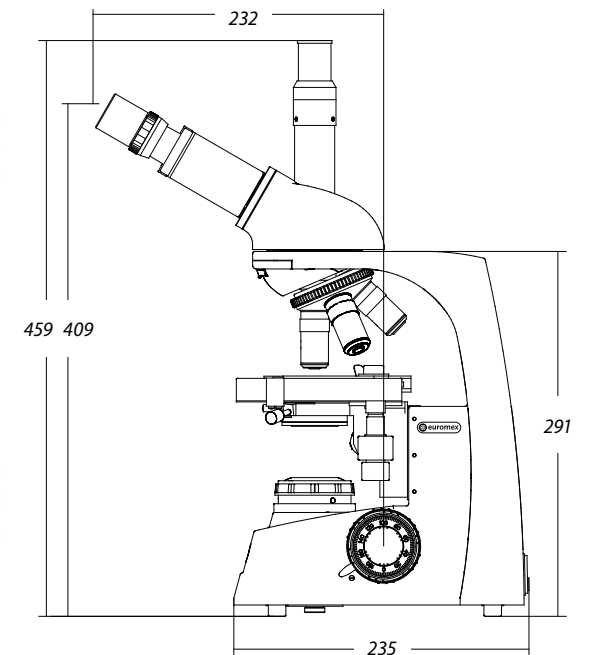
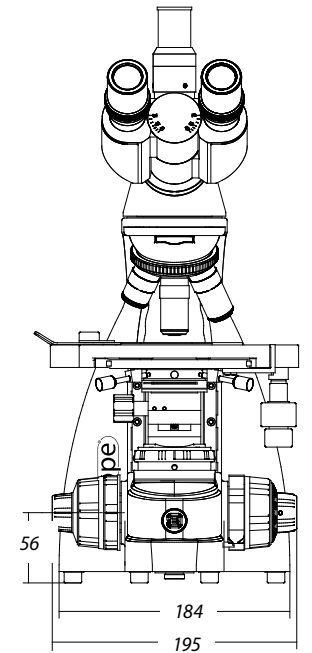


● BS.9900



● BS.1153-PLPHi

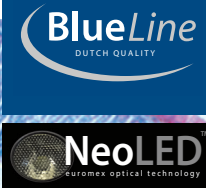
DIMENSIONS



euromex.academy



LIFE SCIENCE MICROSCOPES



LIFE SCIENCE
BIOLOGICAL MICROSCOPES

LIFE SCIENCE
BIOLOGICAL MICROSCOPES

3

3

BioBlue.Lab

The BioBlue.Lab is the ideal laboratory instrument. The steady base and infinity corrected objectives make the BioBlue.Lab a high quality all-round microscope

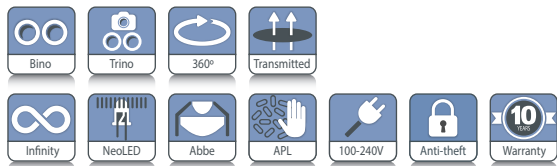
All models are equipped with NeoLED™ illumination system for high resolution images and are available in binocular and trinocular versions



● BB.1153-PLi



product information



BB.1152-PLi
378 (h) x 190 (w) x 260 mm (d) 5.4 kg
BB.1153-PLi
448 (h) x 190 (w) x 260 mm (d) 5.6 kg

HIGHLIGHTS

- WF 10x/20 mm eyepieces
- Binocular and trinocular models
- Reversed quadruple nosepiece
- Non-infinity and infinity optical system
- Integrated rackless mechanical X-Y stage
- 3 W NeoLED™ illumination
- Ergonomic carrying grip
- 10 Years warranty



● BioBlue

● BioBlue.Lab

SPECIFICATIONS

These ergonomic easy-to-use microscopes have been designed specifically for laboratory and university applications

An important feature of the BioBlue.Lab is the rackless stage. The 150 x 140 mm stage has an integrated rackless mechanical X-Y stage with 75 x 30 mm travel range, which provides a smooth translation of the specimen and highly precise positioning. This feature plays an integral part in most demanding cytology and histopathology applications

The BioBlue.Lab microscope models offer great functionality and are equipped with WF 10x/20 mm eyepieces, plan and IOS plan 4x/ 10x/ S40x/ S100x infinity corrected objectives. This enhancement is suitable for a wide variety of routine applications in laboratories and field microscopy

EYEPIECES

Wide field WF 10x/20 mm eyepieces

HEAD

All models have 30° inclined Ø 30 mm tubes. The interpupillary distance is adjustable between 48 to 75 mm. All models have a ±5 diopter adjustment on the left tube. All heads are 360° rotatable and secured with a screw. The trinocular head has a fixed light path beam splitter (50:50) and generates an erect image

NOSEPIECE

Reversed quadruple nosepiece on ball bearings. Slot for analyzer (BB.9602)

OBJECTIVES - 45 MM PARFOCAL

All microscopes are equipped with plan and plan IOS (infinity corrected) objectives. Optional 20x/0.40 and S60x/0.85 objectives are also available. The S40x, S60x and S100x objectives are spring loaded

All optics are anti-fungus treated and anti-reflection coated for maximum light throughput

FOCUSING

Coaxial coarse and fine adjustments with 200 graduations. Precision 1.5 µm per graduation, 0.3 mm per rotation. Total travel range is approximately 28 mm. Supplied with an adjustable rack stop to prevent damage to sample and objectives. The coarse adjustments are equipped with friction control

STAGE

Rackless 150 x 140 mm stage with mechanical 75 x 30 mm X-Y translation stage

CONDENSER

Height adjustable Abbe condenser N.A. 1.25 with iris

ILLUMINATION



All models are supplied with an adjustable 3 W NeoLED™ illumination system for increased light output. Integrated 100-240V power supply

ANTI-THEFT SLOT

At the back of the microscope a Kensington Security slot is placed, which can be used to secure the instrument from theft

PACKAGE CONTENT

Supplied with power cord, dust cover, a spare fuse, user manual and 5 ml immersion oil and white filter, for on lamp house. All packed in a polystyrene box



● BB.9900 Aluminum case



● AE.9919 Nylon bag

MODELS	Bino	Trino	4x/10x/S40x/S100x plan objectives	4x/10x/S40x/S100x plan IOS objectives	Rackless mechanical X-Y stage	Neo LED	Weight (kg)
BB.1152-PL	•		•		•	•	5.4
BB.1153-PL		•	•		•	•	5.5
BB.1152-PLi	•			•	•	•	5.4
BB.1153-PLi		•		•	•	•	5.5

ACCESSORIES AND SPARE PARTS

EYEPIECES

Ø 30 mm tube

- BB.6010** WF (wide field) 10x/20 mm eyepiece
- BB.6110** WF 10x/20 mm micrometer eyepiece with focusable lens, Ø 30 mm tube
- BB.6015** WF 15x/15 mm eyepiece
- BB.6020** WF 20x/11 mm eyepiece
- BB.6099** Pair of eyecups

OBJECTIVES

Plan PL, 45 mm parfocal

- BB.8804** 4x/0.10 PL objective. WD 17.92 mm
- BB.8810** 10x/0.25 PL objective. WD 2.04 mm
- BB.8820** 20x/0.40 PL objective. WD 1.20 mm
- BB.8840** S40x/0.65 PL objective. WD 0.65 mm
- BB.8860** S60x/0.80 PL objective. WD 0.19 mm
- BB.8800** Plan S100x/1.25 oil immersion objective. WD 0.18 mm

Plan PLi, IOS infinity corrected, 45 mm parfocal

- BB.7204** 4x/0.10 PLi objective. WD 7.18 mm
- BB.7210** 10x/0.25 PLi objective. WD 4.80 mm
- BB.7220** 20x/0.40 PLi objective. WD 5.27 mm
- BB.7240** S40x/0.65 PLi objective. WD 0.68 mm
- BB.7260** S60x/0.85 PLi objective. WD 0.50 mm
- BB.7200** S100x/1.25 oil immersion PLi objective. WD 0.20 mm

WD = working distance

MISCELLANEOUS

- BB.9602** Analyzer in slider, Ø 25 mm. Fits in nosepiece
- BB.9707** White filter Ø 32 mm. Fits in filter holder
- BB.9732** Polarization filter, 32 mm diameter. Fits in filter holder
- BB.9880** Köhler attachment
- BB.9993** 3 W NeoLED™ replacement unit
- AE.5227** Fuse 1 A 250 V, 10 pieces
- BB.9900** Aluminum case
- AE.9919** Nylon bag for BioBlue.Lab, 58 (h) x 32 (w) x 24 (d)

CAMERA ACCESSORIES

- AE.5130** Universal SLR camera adapter with 2x projection lens for 23.2 mm tubes. Needs T2 adapter
- AE.5040** T2 adapter for Canon EOS SLR digital camera
- AE.5025** T2 adapter for Nikon D SLR digital camera

DISPOSABLES

- PB.5155** Microscope slides 76 x 26 mm, ground edges, 50 pieces
- PB.5157-W** Microscope slides 76 x 26 mm, ground edges. White frosted side, 50 pieces per pack
- PB.5157-B** Microscope slides 76 x 26 mm, ground edges. Blue frosted side, 50 pieces per pack
- PB.5160** Microscope slides 76 x 26 mm with cavity, ground edges. 10 pieces per pack
- PB.5165** Cover glasses 18 x 18 mm, thickness 0.13-0.17 mm, 100 pieces
- PB.5168** Cover glasses 22 x 22 mm, thickness 0.13-0.17 mm, 100 pieces
- PB.5245** Lens cleaning paper, 100 sheets per pack
- PB.5255** Immersion oil, n = 1.482 (25 ml)
- PB.5274** Isopropyl alcohol 99% (200 ml)
- PB.5275** Cleaning kit: lens cleaning fluid, lint free lens tissue, brush, air blower, cotton swabs
- PB.5276** Microscope maintenance and servicing kit, 16 pieces: cleaning brush, screwdriver set of 6, air blower, 3 Allen keys, 1.5, 2, 2.5 mm, lens cleaning fluid 20 ml, cleaning cloth 140 x 140 mm, 100 lens tissue sheets, tube of maintenance grease, 10 ml bottle of oil, packed in a nice toolbox



LIFE SCIENCE MICROSCOPES

iScope

NeoLED™
euromex optical technology

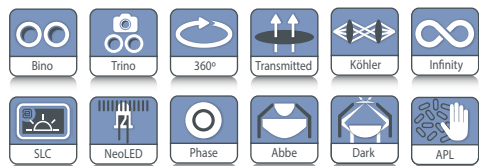
iScope

The iScope is available in various configurations suitable for life and biomedical sciences, high schools, universities but also for routine medical applications

Besides the brightfield contrast method, configurations for phase contrast, cardioid mirror darkfield, basic polarization and several epi-illumination sources for fluorescence applications can be used. iScope models with multiheads are also available for teaching purposes



product information



• IS.1153-PLi



IS.1153-PLi
480 (h) x 232 (w) x 336 (d) mm | 9.2 kg



• iScope tilting head

SPECIFICATIONS

EYEPIECES

- Extended plan wide field EWF 10x/20 mm eyepieces with 20 mm field of view and adjustable diopter on the left eyepiece for non-infinity corrected systems (Ø 23.2 mm tube. Tube length 160 mm)
- Extended plan wide field EWF 10x/22 mm eyepieces with 22 mm field of view and adjustable diopter on both eyepieces for infinity corrected IOS plan and plan phase systems and adjustable diopter on the left tube for EPLi systems (Ø 30 mm tube. Tube length 200 mm)

HEAD

Binocular and trinocular Siedentopf type heads with 30° inclined tubes. Interpupillary distance from 48 to 76 mm. The trinocular head of the plan infinity corrected models (IS.1153-PLi) has an optical path selector (100:0 / 50:50) and ± 5 diopter adjustments on both Ø 30 mm tubes. The trinocular head of the E-plan infinity corrected models (IS.1153-EPLi) has a fixed built-in beam splitter (50:50) and ± 5 diopter adjustment on the Ø 30 mm left tube. The trinocular head of the E-plan finite models (IS.1153-EPL) has a fixed built-in 50:50 beam splitter and one ± 5 diopter adjustment on the Ø 23.2 mm left tube. A unique rotating

HIGHLIGHTS

- EWF 10x/22 mm and EWF 10x/20 mm eyepieces
- Binocular and trinocular models
- Smart Light Control (SLC) system available
- Multihead and face-to-face dual head systems
- Optional tilting head
- Quintuple reversed nosepiece
- E-plan, plan and plan phase objectives
- E-plan, plan and plan phase IOS objectives
- 156 x 138 mm stage
- 187/230 x 140 mm rackless stage
- Cardioid mirror darkfield condenser with 5 W NeoLED™ illumination
- 3 W NeoLED™ Köhler illumination
- iCare sensor for energy saving
- CSS - Cable Storage System
- 10 Years warranty

system allows the ergonomic positioning of both tubes in a high (431 mm) and in a low position (397 mm). The trinocular head comes with a Ø 23.2 mm photo port

ERGONOMIC TILTING HEAD

Optional ergonomic 5° to 35° tilting head supplied with EWF 10x/22 mm eyepieces, interpupillary distance 48-75 mm and optional photo attachment with standard Ø 23.2 mm tube (only infinity corrected models)

To order an iScope with tilting head use reference IS.1158-xxx

To order an iScope with tilting head and photo tube attachment use reference IS.1159-xxx

FACE-TO-FACE HEADS

The iScope can be supplied with two heads in a face-to-face configuration, allowing simultaneous observation by two operators. The Ø 30 mm tubes of the head are equipped with EWF 10x/20 mm eyepieces. Both heads have two diopter adjustments. Only available for the model with plan infinity corrected objectives (IS.1154-PLi/T). The face-to-face head is equipped with a 2-color laser pointer

MULTIHEAD SYSTEM

The iScope can be extended with a unique multihead system for in total two, three or five heads, allowing simultaneous observation of specimens.

The central attachment is equipped with a joystick to move a green and red laser pointer across the entire field of view of all heads. Configurations with one, two or four additional

viewing binocular heads, 30° inclined tubes and plan 4x, 10x, S40x, S100x oil immersion infinity corrected IOS objectives.

All heads are equipped with extended wide field plan EWF 10x/22 mm eyepieces

(references: IS.1156-PLi-x, x = total number of heads)

OBJECTIVES - 45 MM PARFOCAL

E-plan EPL	4x/0.10	10x/0.25	20x/0.40*	S40x/0.65	S100x/1.25 oil
E-plan EPLi IOS	4x/0.10	10x/0.25		S40x/0.65	S100x/1.25 oil
Plan PLi IOS	4x/0.10	10x/0.25	20x/0.40*	S40x/0.65	S60x/0.85*
Plan phase PLPH		10x/0.25	20x/0.40	S40x/0.65	S100x/1.25 oil
Plan phase PLPHi IOS		10x/0.25	20x/0.40	S40x/0.65	S100x/1.25 oil

* optional

All optics are anti-fungus treated and anti-reflection coated for maximum light throughput

NOSEPIECE

Revolving quintuple reversed nosepiece for max. five objectives

STAGE

The iScope can be equipped with three types of stages:

- 156 x 138 mm stage equipped with integrated 79 x 52 mm mechanical X-Y stage
- 187/230 x 140 mm rackless stage equipped with double slide holder and integrated 79 x 52 mm mechanical X-Y stage. The iScope rackless stage has no protruding parts, enables smoother movements and is safer

The iScope can be supplied with a heating stage which can be set up to 50° Celsius by a PID temperature controller. Only available with newly purchased microscopes. Higher temperatures can be achieved on special request

CONDENSER FOR BRIGHTFIELD

The standard height adjustable Abbe N.A. 1.25 condenser for brightfield accepts sliders with phase annuli suitable for plan phase 10x/20x or S40x/S100x oil immersion IOS objectives for economical phase contrast. With magnification indication.

A slider with a simple dark stop for darkfield up to 400x magnification is also available

CONDENSER FOR ZERNIKE PHASE CONTRAST

An optional height adjustable Zernike NA. 1.25 phase contrast disc condenser with plan phase 10/20/S40x and S100x oil immersion objectives and darkfield stop position for darkfield contrast up to 400x magnification. Supplied with alignment telescope and green filter

CONDENSER FOR DARKFIELD

A state-of-the-art condenser equipped with reflective cardioid mirrors, a high powered 3 W LED (adjustable intensity) and a S100x oil objective with built-in iris diaphragm enable a real 1000x magnification darkfield solution

FOCUSING

Coaxial coarse and fine adjustments, 200 graduations, 1 µm per graduation, 200 µm per rotation, total travel range is approximately 24 mm. Supplied with an adjustable rack stop to prevent damage to sample and objectives. The coarse adjustments are equipped with friction control

NEOLED™ ILLUMINATION



3 W adjustable Köhler NeoLED™ diascope illumination with internal 100-240 V power supply. The innovative NeoLED™ design offers larger apertures, allowing the optical system of the iScope microscope to produce images at higher resolutions, very close to the theoretical diffraction limit of the optics. Other benefits of the NeoLED™ is the low energy consumption, no heating and a long operating life span.

The Köhler illumination on models with IOS plan and plan phase infinity corrected system provides high contrast and a maximum achievable resolving power of the optics. Also available for other models as option

SMART LIGHT CONTROL SYSTEM

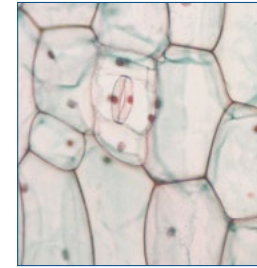
- The Smart Light Control (SLC) automatically memorises the last used illumination intensity brightness for each individual objective. Simply rotate the nosepiece to the next objective and the SLC will instantly adjust the illumination intensity to your desired level
- Light intensity can be locked to stop intensity changing by simply pressing the control button twice
- The LCD screen at the front of the microscope informs the user of the magnification and light intensity settings of the microscope, as well as the sleep and locking modes when activated
- Push the button once to enter/leave sleep mode and push the button twice to enter/leave lock mode

ICARE SENSOR

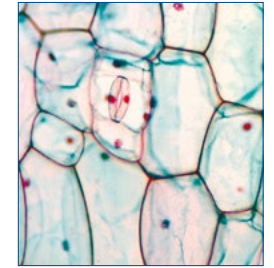
The unique iCare Sensor is developed to avoid unnecessary loss of energy. The illumination of the microscope automatically switches off shortly after microscopists step away from their position. Not available for darkfield models

CSS – CABLE STORAGE SYSTEM

iScope allows users to easily insert the power cable into the back of the instrument, which enables easy storage. The integrated carrying grip at the back of the microscope ensures safe transportation of the microscope



• Normal LED



• NeoLED™

PACKAGE CONTENT

Supplied with power cord, dust cover, a spare fuse, user manual and 5 ml immersion oil for models with S100x oil objective.

Phase contrast models are supplied with green filter and alignment telescope. All packed in polystyrene boxes



• iScope cable storage system



• iCare sensor

ISCOPE FOR LIFE SCIENCE (NON-INFINITY MODELS)

MODELS	Bino	Trino	Phase contrast	EWF 10x20 mm	E-plan 4x/10x/40x/100x objectives	Plan phase 10x/20x/40x/100x objectives	Mechanical stage
IS.1152-EPL	•			•	•		•
IS.1153-EPL		•		•	•		•
IS.1152-PLPH	•		•	•		•	•
IS.1153-PLPH		•	•	•		•	•

ISCOPE FOR LIFE SCIENCE (INFINITY MODELS)

MODELS	Bino	Trino	Phase contrast	EWF 10x22 mm	E-plan IOS 4x/10x/40x/100x objectives	Plan IOS 4x/10x/40x/100x objectives	Plan phase IOS 10x/20x/40x/100x objectives	Mechanical rackless stage	Smart Light Control	Köhler LED
IS.1152-EPLi	•			•	•			•		
IS.1152-EPLi/SLC	•			•	•			•	•	
IS.1153-EPLi		•		•	•			•		
IS.1153-EPLi/SLC		•		•	•			•	•	
IS.1152-PLi	•			•*		•		•		•
IS.1152-PLi/SLC	•			•*		•		•	•	•
IS.1153-PLi		•		•*		•		•		•
IS.1153-PLi/SLC		•		•*		•		•	•	•
IS.1152-PLPHi	•		•	•*		•		•	•	•
IS.1153-PLPHi		•	•	•*		•		•	•	•

* Two tubes with diopter adjustments

Some models are also available as in vitro diagnostic medical devices class A - (EU) 2017/746. Contact your Euromex dealer

ISCOPE FOR LIFE SCIENCE (FACE-TO-FACE DUAL HEAD SYSTEM)

MODELS	Total users	Binocular EWF 10x/20 mm	Trinocular EWF 10x/20 mm	Plan IOS 4x/10x/40x/100x objectives	Mechanical rackless stage	iCare sensor	Köhler LED
IS.1154-PLi/T	2	1x	1x	•	•	•	•

Also available as in vitro diagnostic medical devices class A - (EU) 2017/746. Contact your Euromex dealer

ISCOPE FOR LIFE SCIENCE (INFINITY - MULTIHEAD SYSTEMS)

MODELS	Total users	Binocular	Trinocular	EWF 10x22 mm	Plan IOS 4x/10x/40x/100x objectives	Mechanical rackless stage	Köhler LED
IS.1156-PLi2	2	1x	•	•	•	•	•
IS.1156-PLi3	3	2x	•	•	•	•	•
IS.1156-PLi5	5	4x	•	•	•	•	•

Some models are also available as in vitro diagnostic medical devices class A - (EU) 2017/746. Contact your Euromex dealer

ISCOPE FOR LIFE SCIENCE (INFINITY - ERGONOMIC TILTING HEAD)

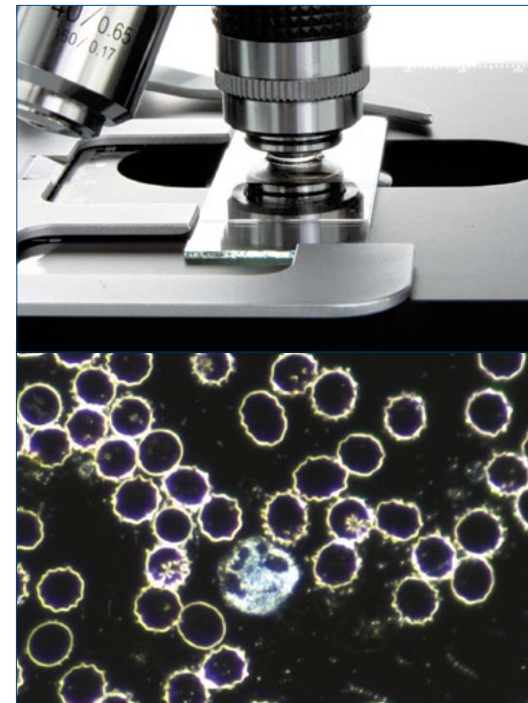
MODELS	Bino	Photo port	Phase contrast	EWF 10x22 mm	E-plan IOS 4x/10x/40x/100x objective	Plan IOS 4x/10x/40x/100x objectives	Plan phase IOS 10x/20x/40x/100x objectives	Mechanical rackless stage	Köhler LED
IS.1158-EPLi	•			•	•			•	
IS.1159-EPLi	•	•		•	•			•	
IS.1158-PLi	•			•		•		•	•
IS.1159-PLi	•	•		•		•		•	•
IS.1158-PLPHi	•		•	•			•	•	•
IS.1159-PLPHi	•	•	•	•			•	•	•

Some models are also available as in vitro diagnostic medical devices class A - (EU) 2017/746. Contact your Euromex dealer

ISCOPE FOR LIFE SCIENCE (DARKFIELD CONTRAST APPLICATION)

MODELS	Trino	Darkfield	EWF 10x20 mm	EWF 10x22 mm	E-plan 4x/10x/40x/100x objectives	Plan IOS 4x/10x/40x/100x objectives	Mechanical rackless stage	Köhler LED
IS.1153-PLi/DFi	•	•		•		•	•	•
IS.1153-EPL/DF	•	•	•		•			

Models for darkfield observation IS.1152-PLi/DF is supplied with a state-of-the-art condenser equipped with reflective cardioid mirrors and a high powered 3 W LED. Together with a S100x oil objective with built-in iris diaphragm real 1000x magnification darkfield solution can be achieved. All other specifications are identical to models IS.1152-PLi and IS.1153-PLi



DARKFIELD

Darkfield contrast is used in particular for unstained samples. The produced image has the appearance of a dark, almost black background with highlighted bright objects on it, producing very recognizable, often even called spectacular images. These objects, because they are unstained, are hard to see with brightfield contrast. The applications are mostly biological samples, smears from tissue culture or water-borne, single-celled organisms

In the past darkfield microscopy was limited due to low light levels. Euromex has overcome this issue by developing very strong illumination methods, without causing damage to the samples. A 3 W build in high power LED is used to power the especially designed cardioid-shaped lens condenser system. Combined with a special 100x objective with built-in iris diaphragm for extra contrast this system is unique in its class

ACCESSORIES AND SPARE PARTS

EYEPIECES

Ø 23.2 mm tube

- IS.6010** EWF 10x/20 mm eyepiece
- IS.6010-P** EWF 10x/20 mm eyepiece with pointer
- IS.6010-C** EWF 10x/20 mm eyepiece with crosshairs
- IS.6010-CM** EWF 10x/20 mm eyepiece with 10/100 micrometer and cross
- IS.6015** WF 15x/16 mm eyepiece
- IS.6099** Pair of eyecups

EYEPIECES

Ø 30 mm tube

- IS.6210** EWF 10x/22 mm eyepiece
- IS.6210-C** EWF 10x/22 mm eyepiece with crosshairs
- IS.6210-P** EWF 10x/22 mm eyepiece with pointer
- IS.6210-CM** EWF 10x/22 mm eyepiece with 10/100 micrometer and crosshairs
- IS.6212** WF 12.5x/17 mm eyepiece
- IS.6215** WF 15x/16 mm eyepiece
- IS.6220** WF 20x/12 mm eyepiece
- IS.6310** EWF 10x/20 mm eyepiece
- IS.6310-C** EWF 10x/20 mm eyepiece with crosshairs
- IS.6310-CM** EWF 10x/20 mm eyepiece with 10/100 micrometer and crosshairs
- IS.6299** Pair of eyecups infinity models

EWF = extended wide field

OBJECTIVES

E-plan EPL, 45 mm parfocal

- IS.7104** 4x/0.10 EPL objective. WD 15.2 mm
- IS.7110** 10x/0.25 EPL objective. WD 5.5 mm
- IS.7120** 20x/0.40 EPL objective. WD 3.5 mm
- IS.7140** S40x/0.65 EPL objective. WD 0.45 mm
- IS.7160** S60x/0.85 EPL objective. WD 0.19 mm
- IS.7100** S100x/1.25 EPL oil objective. WD 0.13 mm

Plan phase contrast PLPH, 45 mm parfocal

- IS.7710** 10x/0.25 PLPH objective. WD 12.2 mm
- IS.7720** 20x/0.40 PLPH objective. WD 5 mm
- IS.7740** S40x/0.65 PLPH objective. WD 0.37 mm
- IS.7700** S100x/1.25 PLPH oil objective. WD 0.13 mm

E-plan infinity corrected EPLi, IOS 45 mm parfocal

- IS.8804** 4x/0.10 EPLi objective. WD 15.4 mm
- IS.8810** 10x/0.25 EPLi objective. WD 5.8 mm
- IS.8840** S40x/0.65 EPLi objective. WD 0.43 mm
- IS.8800** S100x/1.25 EPLi oil objective. WD 0.13 mm

Plan infinity corrected PLi, IOS 45 mm parfocal

- IS.7202** 2x/0.05 PLi objective, WD 18.3 mm. Best to be used together with swing-out condenser
- IS.7204** 4x/0.10 PLi objective. WD 15.4 mm
- IS.7210** 10x/0.25 PLi objective. WD 10 mm
- IS.7220** 20x/0.40 PLi objective. WD 5.1 mm
- IS.7240** S40x/0.65 PLi objective. WD 0.54 mm
- IS.7260** S60x/0.85 PLi objective. WD 0.14 mm
- IS.7200** S100x/1.25 PLi oil objective. WD 0.13 mm
- IS.7200-I** S100x/1.25 Super Contrast PLi oil objective with built-in iris diaphragm. WD 0.13 mm. Suitable for darkfield contrast
- IS.7200-W** S100x/1.10 PLi water immersion objective. WD 0.14 mm

Plan Fluarex infinity corrected PLFi, IOS 45 mm parfocal 0.17 mm coverglass correction

- IS.7404** 4x/0.13 PLFi objective. WD 16.4 mm
- IS.7410** 10x/0.30 PLFi objective. WD 12 mm
- IS.7420** 20x/0.50 PLFi objective. WD 1.4 mm
- IS.7440** S40x/0.75 PLFi objective. WD 0.34 mm
- IS.7400** S100x/1.30 PLFi oil objective. WD 0.2 mm

Plan phase contrast infinity corrected PLPHi, IOS 45 mm parfocal

- IS.8910** 10x/0.25 PLPHi objective. WD 10.2 mm
- IS.8920** 20x/0.40 PLPHi objective. WD 5.1 mm
- IS.8940** S40x/0.65 PLPHi objective. WD 0.5 mm
- IS.8900** S100x/1.25 PLPHi oil objective. WD 0.13 mm

WD = working distance

CONDENSERS

- IS.9102** Standard Abbe condenser 1.25 NA with slot for darkfield and phase contrast sliders
- IS.9105** Swing-out 0.9/1.25 N.A. condenser

*NA = numerical aperture

PHASE CONTRAST ATTACHMENTS

- IS.9124** Zernike phase contrast set including rotating disc with PLPH 10/20/40/100, brightfield and darkfield position
- IS.9127** Zernike phase contrast set including rotating disc with PLPH 10/20/40/100, brightfield and darkfield position
- IS.9148** Alignment telescope for phase contrast, Ø 30 mm tube
- IS.9149** Alignment telescope for phase contrast, Ø 23.2mm tube
- IS.9160** Phase contrast slider set with 10x and S40x PLPH objectives and annuli for 10/S40x PLPH objectives. Also suitable for optional 20x PLPH objective
- IS.9161** Phase contrast slider set with 20x and S100x oil PLPH objectives and annuli for 20x/S100x oil PLPH objectives
- IS.9162** Phase contrast slider set with 10x and S40x PLPHi IOS infinity corrected objectives and annuli for 10x/S40x PLPHi IOS infinity corrected objectives. Also suitable for optional 20x PLPHi infinity corrected objective
- IS.9163** Phase contrast slider set with 20x and S100x oil PLPHi IOS infinity corrected objectives and annuli for 20x/S100x oil PLPHi IOS infinity corrected objectives

MISCELLANEOUS

- IS.9170** Slider with darkfield stop, up to 400x
- IS.9194** Slider with phase contrast annuli for S40x phase contrast objective
- IS.9880** Köhler attachment
- IS.4300** Aluminum transport case for iScope
- AE.9919** Nylon carry bag for iScope (29 x 53 x 23)
- AE.3684** Glass fuses 500 mA 250 V, 10 pieces

- AE.5168-I** Heating stage series with controller, only with new microscopes
- IS.9993** NeoLED™ replacement unit
- IS.9994** Halogen-NeoLED™ replacement unit

POLARIZATION ATTACHMENTS

- IS.9600** Polarization filter 45 mm for lamphouse
- IS.9601** Polarization set: simple rotating polarizer for lamphouse and fixed polarizer, mounted under head (not suitable for SLC models)
- IS.9626** Polarization filter for mounting under the head (not suitable for SLC models)

FILTERS

- IS.9700** Blue filter 45 mm for lamphouse
- IS.9702** Green filter 45 mm for lamphouse
- IS.9704** Yellow filter 45 mm for lamphouse
- IS.9706** White opaque filter 45 mm for lamphouse

CAMERA ACCESSORIES

- IS.9800** single photo tube attachment with one 23.2 mm tube for ergonomic tilting head of iScope infinity systems
- AE.5130** Universal SLR adapter with built-in 2x lens for standard 23.2 mm tube. Needs T2 adapter
- AE.5025** T2 adapter for Nikon D SLR digital camera
- AE.5040** T2 adapter for Canon EOS SLR digital camera

DISPOSABLES

- PB.5155** Microscope slides 76 x 26 mm, ground edges, 50 pieces per pack
- PB.5157-W** Microscope slides 76 x 26 mm, ground edges and frosted side white color, 50 pieces per pack
- PB.5157-B** Microscope slides 76 x 26 mm, ground edges and frosted side blue color, 50 pieces per pack
- PB.5160** Microscope slides 76 x 26 mm with cavity, ground edges. 10 pieces per pack
- PB.5165** Coverglasses 18 x 18 mm, 0.13 - 0.17 mm, 100 pieces

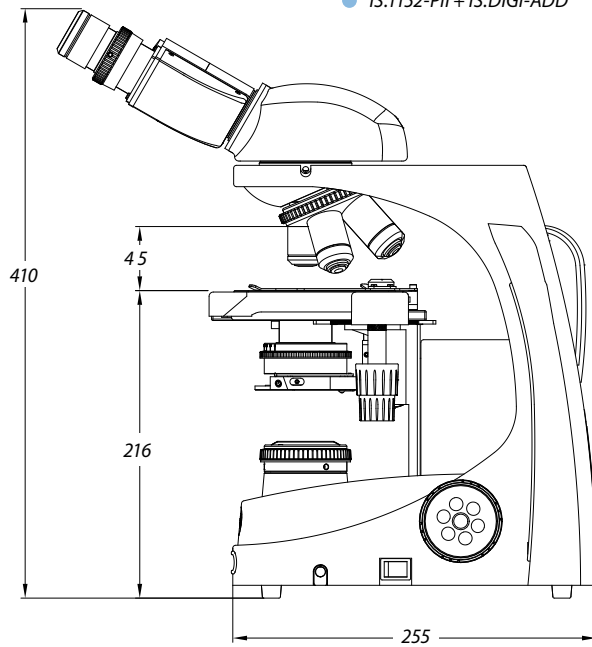
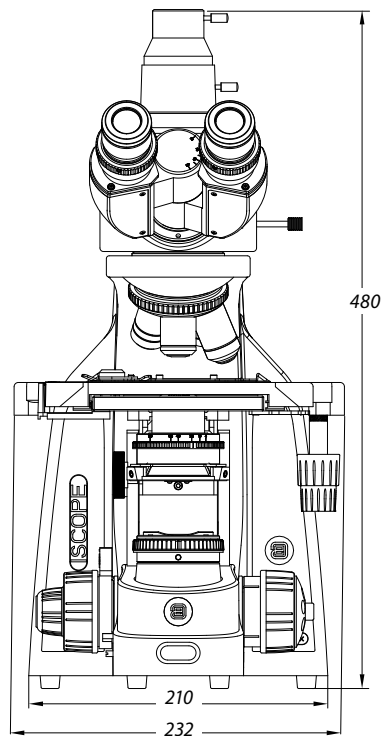
- PB.5168** Coverglasses 22 x 22 mm, 0.13 - 0.17 mm, 100 pieces
- PB.5245** Lens cleaning paper, 100 sheets per pack
- PB.5255** Immersion oil, 25 ml. Refraction index $n = 1.515$
- PB.5274** Isopropyl alcohol 99%, 200 ml
- PB.5275** Cleaning kit: lens fluid, lint free lens tissues/ paper, brush, air blower, cotton swabs
- PB.5276** Microscope maintenance and servicing kit, 16 pieces: cleaning brush, screwdriver set of 6, air blower, 3 Allen keys, 1.5, 2, 2.5 mm, lens cleaning fluid 20 ml, cleaning cloth 140 x 140 mm, 100 lens tissue sheets, tube of maintenance grease, 10 ml bottle of oil, packed in a nice toolbox

See chapter 8



● IS.1152-PLi + IS.DIGI-ADD

DIMENSIONS



● IS.1153-EPLi/SLC



● IS.1159-EPLi



● IS.1156-PLi-5



● IS.1154-PLi/T



● IS.1153-EPL-DF



Achios-X Observer

advanced performance in histopathology,
cytology, dermatopathology
and forensic pathology



The Achios-X Observer is designed to provide pathologists with exceptional clarity and precision, offering a wide field of view for detailed sample examination. Its advanced optical system - combined with high-intensity color-adjustable LED light source - ensures consistent, high-quality illumination. Whether analyzing biopsy or resection samples in **histopathology**, studying individual cells in **cytology**, diagnosing skin disorders in **dermatopathology**, or investigating causes of death in **forensic pathology**—the Achios-X Observer delivers performance that meets the highest standards in modern microscopy

BIOLOGICAL MICROSCOPES

Achios-X
observer

NeoLED™
euromex optical technology



Achios-X Observer for advanced life science applications

Experience optimal comfort and cutting-edge performance with the Achios-X Observer, an ergonomic masterpiece featuring a state-of-the-art optical system. Tailored to meet the demands of advanced Life Science applications such as cytology and anatomopathology



● AX.1153-PLi



product information



AX.1153-PLi
431 (h) x 257 (w) x 354 mm (d) 11.2 kg
AX.1158-PLi
431 (h) x 257 (w) x 354 mm (d) 11.2 kg

HIGHLIGHTS

- Versatile and evolutive microscopes
- Extra Wide field WF 10x/22 mm, Ø 30 mm
- Revolving quintuple or sextuple reversed nosepiece
- infinity corrected 60 mm achromatic Plan, Plan Phase or Plan Semi-Apochromatic EIS objectives
- Low positioned stage adjustment knobs
- 3 W NeoLED™ with adjustable color temperature
- Smart Light Control (SLC)

SPECIFICATIONS

EYEPIECES

- EWF 10x/22 mm eyepiece with diopter adjustment
- EWF 10x/25 mm eyepiece with diopter adjustment (optional)

HEADS

- Standard Siedentopf trinocular with 30° inclined tubes. A 0.5x c-mount adapter is included (a 1x is optional)
- Ergonomic tilting head (0° - 35°). A 23.2 mm phototube is included. Several c-mount adapters are available
- Face-to-face dual head (optional)
- Multi-head systems with 2, 3 or 5 heads (optional)
- Head for attaching camera and screen

OBJECTIVES - 60 MM PARFOCAL

- infinity corrected achromatic Plan EIS objectives*
- infinity corrected achromatic Plan Phase EIS objectives*
- infinity corrected achromatic Plan Semi-Apochromatic EIS objectives*

*M25 mounting thread



See chapter 8

● AX.1152-PLi + AX.DIGI-ADD

● Holds two slides

● interchangeable focus knobs



STAGE

The Achios-X Observer comes complete with a generously sized, hard coated, rackless mechanical X-Y stage, meticulously designed for enhanced safety

- Free from any sharp edges protruding from the microscope's sides, this stage ensures a secure and worry-free experience
- Suitable for two slides and allows single handed placement of slides
- Measurements: stage, 230 x 150 mm X-Y and mechanical X-Y stage, 78 x 54 mm

CONDENSERS

Depending on the configuration, the Achios-X Observer is supplied with the standard Abbe condenser, Zernike phase condenser (includes telescope and green filter), swing-out Abbe condenser, darkfield condenser (dry or oil immersion)

ILLUMINATION

The Köhler illumination of the Achios-X Observer provides the most uniformly illuminated and bright field of view

NOSEPIECE

Experience the ease of an intuitive quintuple or an optional sextuple nosepiece on ball- bearings, equipped with gripped ring for effortless and precise rotation

LIGHT AND COLOR TEMPERATURE CONTROL

The Achios-X Observer introduces Smart Light Control. This intelligent function memorizes the last used light intensity level for each objective. The color temperature of the NeoLED™ light source can be adjusted and stored. This innovation not only heightens comfort but also saves valuable time during routine magnification shifts. The eco-friendly NeoLED™ light source is both environmentally conscious and built to endure

CSS – CABLE STORAGE SYSTEM

Allows users to easily stow away excess cable length into the back of the instrument during operation and to roll up the power cable for easy storage

Control panel icons: Sleep, CCT, Lock, Time, Set, Exit, Save, Exit, Reset.

Smart Light Control display: 10X, 6000K, 50.

SLEEP



● Smart Light Control

CARRYING GRIP

The integrated carrying grip at the back of the microscope ensures safe transportation of the microscope

NEOLED™

The innovative NeoLED™ design is a combination of a custom LED and a specially designed thin lens with a short focal length in order to obtain four main benefits:

- More oblique light from the NeoLED™ can be captured, which increases the light output significantly
- Less energy is required to achieve this level of light intensity
- The larger aperture of NeoLED™ allows the optical system of the microscope to produce images at higher resolutions, very close to the theoretical diffraction limit of the optics
- Super long life span, up to 50.000 hrs nominal, L70 norm

PACKAGING

Supplied with power cord, dust cover, screwdriver, user manual and 5 ml immersion oil for models supplied with a 100x objective



● The back of the Achios-X Observer

MODELS	Bino	Trino	Ergo	eyepieces EW 10x/22 mm	Plan objectives 4/10/40 IOS	Plan objective 100x (oil) IOS	Plan Semi-Apo objectives 4/10/40 IOS	Plan Semi-Apo objective 100x (oil) IOS	Plan Phase objectives 10/20/40/100x (oil) IOS
AX.1052-PLi	•			•	•				
AX.1053-PLi		•		•	•				
AX.1058-PLi			•	•	•				
AX.1152-PLi	•			•	•	•			
AX.1153-PLi		•		•	•	•			
AX.1158-PLi			•	•	•	•			
AX.1052-APLi	•			•			•		
AX.1053-APLi		•		•			•		
AX.1058-APLi			•	•			•		
AX.1152-APLi	•			•	•	•	•		
AX.1153-APLi		•		•	•	•	•	•	
AX.1158-APLi			•	•	•	•	•	•	
AX.1152-PLPHi	•			•					•
AX.1153-PLPHi		•		•					•
AX.1158-PLPHi			•	•					•

Sextuple nosepiece is also available

Some models are also available as in vitro diagnostic medical devices class A - (EU) 2017/746

Contact your Euromex dealer

ACCESSORIES AND SPARE PARTS

EYEPIECES

Ø 30 mm tube

- AX.6010** EWF 10x/22 mm eyepiece for Achios-X observer.
With diopter adjustment
- AX.6410** EWF 10x/25 mm eyepiece for Achios-X observer.
With diopter adjustment

PLAN OBJECTIVES

*Plan infinity corrected PLi, EIS 60 mm parfocal**

- AX.7202** 2x/0.06 PLi objective. WD 7.5 mm
- AX.7204** 4x/0.10 PLi objective. WD 30 mm
- AX.7210** 10x/0.25 PLi objective. WD 10.2 mm
- AX.7220** 20x/0.40 PLi objective. WD 10.2 mm
- AX.7240** S40x/0.65 PLi objective. WD 1.5 mm
- AX.7260** S60x/0.80 PLi objective. WD 1.5 mm
- AX.7200** S100x/1.25 oil-immersion PLi objective.
WD 0.3 mm

Plan Semi-Apochromatic Fluorex infinity corrected

*PL-SAFi, EIS 60 mm parfocal**

- AX.7304** 4x/0.15 PL-SAFi objective. WD 0.17 mm
- AX.7310** 10x/0.3 PL-SAFi objective. WD 15.8 mm
- AX.7320** 20x/0.5 PL-SAFi objective. WD 2.7 mm
- AX.7340** S40x/0.75 PL-SAFi objective. WD 1.35
- AX.7300** S100x/1.25 oil-immersion PL-SAFi objective.
WD 0.18 mm

*Plan Phase infinity corrected PLPHi, EIS 60 mm parfocal**

- AX.7710** 10x/0.25 PLPHi objective. WD 10.2 mm
- AX.7720** 20x/0.40 PLPHi objective. WD 13.4 mm
- AX.7740** 40x/0.65 PLPHi objective. WD 0.7 mm
- AX.7700** 100x/1.25 oil immersion PLPHi objective. WD 0.22 mm

WD = working distance

* M25 mm thread

HEADS

- AX.5302** Siedentopf binocular head with 30 degrees
inclined tubes
- AX.5313** Siedentopf trinocular head 100:0/0:100 with 30
degrees inclined tubes

- AX.5700** Ergonomical Siedentopf trinocular head with
tilting tubes and with 23.2 mm photo tube. ADD-
ON option. Only with new microscopes
- AX.5600** Face to Face attachment, two heads
- AX.5602** Multi head two heads attachment
- AX.5603** Multi head three heads attachment
- AX.5605** Multi head 5 heads attachment

CONDENSERS

- AX.9100** Standard Abbe Condenser
- AX.9105** Swing-out Abbe Condenser
- AX.9110** Darkfield condenser (Dry)
- AX.9112** Darkfield condenser (Oil)
- AX.9126** Zernike phase contrast set. Includes Zernike
phase condenser and PLPHi 10/20/S40/S100-oil
immersion objectives, telescope and green filter

CAMERA

- AX.9850** C-mount adapter 0,5x for standard head
- AX.9810** C-mount adapter 1x for standard head
- DX.9810** C-mount with 1x magnification for C-mount
camera (only for ergo head)
- DX.9835** C-mount with high resolution relay 0.35x objective
for 1/3 inch C-mount camera (only for ergo head)
- DX.9850** C-mount with high resolution relay 0.50x objective
for 1/2 inch C-mount camera (only for ergo head)
- DX.9863** C-mount with high resolution relay 0.63x objective
for 2/3 inch C-mount camera (only for ergo head)

MISCELLANEOUS

- AX.9896** Nosepiece with six objectives
- DX.9501-R** Mechanical stage with Gorilla glass.
Right handed
- AX.9702** Green filter
- AX.9148** Telescope
- AX.9660** Simple polarization kit



● AX.9896 (objectives not included)



● AX.9126 Zernike phase contrast set



● AX.5513 Siedentopf trinocular head
with 0:100/100:0 switch



euromex.academy



BIOLOGICAL MICROSCOPES

Delphi-X
observer

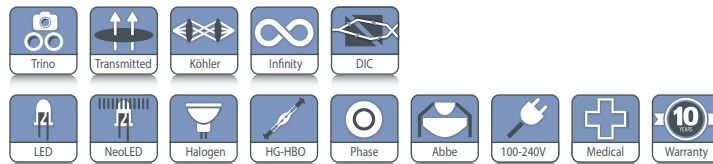
NeoLED™
euromex optical technology

Delphi-X Observer

State-of-the-art microscopes for advanced life science applications. The outstanding optical performance of the Delphi-X Observer with 25 mm field of view and high numerical aperture of the plan 60 mm parfocal EIS objectives enable perfect observations, color rendering and at high resolving power. This is the perfect microscope for anatomy pathologists



product information



DX.1153-PLi
454 (h) x 260 (w) x 367 mm (d) | 18 kg

● DX.2153-APLi

HIGHLIGHTS

- Trinocular model
- Sextuple reversed nosepiece with slot for DIC
- Super wide field SWF 10x/25mm eyepieces, Ø 30 mm tubes
- Enhanced infinity corrected EIS optical system
- Ergonomic tilting heads
- 60 mm parfocal plan EIS objectives
- 60 mm parfocal plan semi-apochromatic EIS objectives
- M25 objective thread mounting
- 3 W NeoLED™ illumination
- 100 W halogen illumination
- Face-to-face dual head system
- Multihead systems
- Brightfield, darkfield, phase contrast
- Differential Interference Contrast (DIC)

SPECIFICATIONS

EYEPIECES

- Super wide field SWF 10x/25 mm, Ø 30 mm tubes
- Extended wide field EWF 10x/22 mm, Ø 30 mm tubes

STANDARD HEAD

Siedentopf trinocular head with 30° inclined tubes. Interpupillary distance adjustable between 47 and 78 mm. The trinocular standard head has an optical path selector (100:0 / 80:20 / 0:100). Diopter ± 5 adjustments on both eyepieces

ERGONOMIC TILTING HEAD

Optional ergonomic 0° to 35° tilting trinocular head supplied with SWF 10x/25 mm eyepieces, interpupillary distance between 47-78 mm and photo tube, standard with a Ø 23.2 mm tube. The trinocular tilting head has an optical path selector (100:0 / 80:20 / 0:100). Diopter ± 5 adjustments on both eyepieces. **Also available:** a Siedentopf ergonomic binocular tilting head. Only with purchase of a new microscope



● Ergonomic tilting head

FACE-TO-FACE DUAL HEAD SYSTEM

The Delphi-X Observer can be supplied with two binocular heads in a face-to-face configuration, allowing simultaneous observation by two operators. The main binocular head is equipped with super wide field SWF 10x/25 mm eyepieces and the second head with EWF 10x/22 mm eyepieces. A joystick enables the operator to move a green or red laser pointer across the entire field of view of both heads

MULTIHEAD SYSTEM

The Delphi-X-Observer can be extended with a multihead system for two, three, five or ten users. The central attachment is equipped with a joystick to move a green and red laser pointer across the entire field of view of all heads. The multihead systems with two, three or five heads and 30° inclined tubes are supplied with super wide field SWF 10x/25 mm eyepieces. The multihead systems with ten heads and 30° inclined tubes have the trinocular main head equipped with super wide field SWF 10x/25 mm eyepieces and the other nine binocular heads with extended wide field EWF 10x/22 mm eyepieces. The Delphi-X Observer multihead system with ten heads is supplied without the iCare sensor

LIFE SCIENCE
BIOLOGICAL MICROSCOPES

3



● DX.2156-PLI/10

NOSEPIECE

Revolving sextuple reversed nosepiece on ball-bearings with M25 objectives mounting threads

MOTORIZED MODEL

The Delphi-X Observer can be supplied with a motorized revolving sextuple reversed nosepiece together with a flip-down condenser. A precise step-motor allows the user to switch from objective by a simple push on a button. Another button allows quick switching between two preselected objectives. The electronics memorize automatically the light intensity levels for each objective after switching. The electronics also automatically flip out the front lens of the flip-down condenser when the 4x objective is used



● Motorized nosepiece

OBJECTIVES

Plan (PLi)	2x/0.06*	4x/0.10	10x/0.25	20x/0.40	S40x/0.65	S50x/ 0.95 oil*	S60x/ 0.80*	S100x/1.25 oil	S100x/ 1.25 oil iris*
Plan phase (PLPHi)			10x/0.25	20x/0.40	S40x/0.65			S100x/1.25 oil	
Plan semi-apo (PLi Apo)		4x/0.13	10x/0.30	20x/0.50	S40x/0.75			S100x/1.30 oil	

All objectives are 60 mm parfocal and have a M25 mounting thread, all optics are anti-fungus treated and anti-reflection coated for maximum light throughput and all S40x, S50x, S60x and S100x oil objectives are spring loaded

* Optional

ENHANCED INFINITY SYSTEM (EIS)

The enhanced infinity system (EIS) of the Delphi-X Observer consists of super wide field SWF 10x25 mm eyepieces, high numerical aperture, 60 mm parfocal objectives and a 200 mm focal length tube lens. This focal length tube lens reduces the angle of the light rays passing the optics and as a direct result it improves significantly the chromatic aberration corrections and contrast. The objectives with larger diameter enable much higher numerical apertures improving the overall resolving power of the optical system. For all these reasons the Delphi-X Observer offers superior optical performance for the most demanding applications

PLAN ACHROMATIC EIS OBJECTIVES (CLINICAL ROUTINE APPLICATIONS)

The Delphi-X Observer comes with plan achromatic 4x/0.10, 10x/0.25, 20x/0.40, S40x/0.65 and S100x/1.25 oil immersion infinity corrected EIS objectives

As an option available: 2x/0.06, S50x/0.95 (oil immersion) and S60x/0.80

PLAN SEMI-APPOCHROMATIC OBJECTIVES (ANATOMO- AND HISTOPATHOLOGY APPLICATIONS)

The Delphi-X Observer can also be supplied with plan semi-apochromatic Fluarex 4x/0.13, 10x/0.30, 20x/0.50, S40x/0.75 and S100x/1.30 oil immersion infinity corrected EIS objectives

PLAN PHASE CONTRAST OBJECTIVES

The Delphi-X Observer with phase contrast is supplied with Plan phase EIS 10x/0.25, 20x/0.40, S40x/0.65 and S100x/1.25 (oil immersion) infinity corrected EIS objectives

STAGE

The 190 x 152 mm stage has a 80 x 54 mm integrated right-handed mechanical X-Y stage. Comes with scratch-resistant Gorilla glass. Sapphire scratch-resistant glass is available on request. Left-handed mechanical X-Y stage is also available on request



● Sextuple nosepiece

FOCUSING

Coaxial coarse and fine adjustment, 100 graduations, 1 µm precision, 100 µm per rotation, total travel range is approx. 35 mm. Supplied with an adjustable rack stop to prevent damage to sample and objectives. The coarse adjustments are equipped with friction control. The focusing knobs can be switched from left to right according to the user's preference

CONDENSER FOR BRIGHTFIELD

In height adjustable N.A. 0.90/1.25 Abbe swing-out condenser with numerical aperture identification marks. Models with a motorized nosepiece are supplied with a motorized condenser that automatically flips out the front lens of the condenser when the 4x objective is used

CONDENSER FOR PHASE CONTRAST

In height adjustable N.A. 1.25 Zernike phase contrast condenser with phase annuli for 10/20/40x and S100x-oil objectives. To be used with the phase contrast objectives

DIFFERENTIAL INTERFERENCE CONTRAST (DIC)

The Nomarski differential interference contrast technique helps to enhance contrast of samples and lets samples appear as three-dimensional objects. The equipment consist of a specific rotating DIC condenser, two Nomarski modified Wollaston prisms, a DIC slider for insertion into the slot of the sextuple reversed nosepiece and a polarizer

DIASCOPIIC ILLUMINATION

Two Köhler illuminations are available for the Delphi-X Observer microscope:

- Diascopic intensity adjustable 3 W NeoLED™ Köhler illumination with internal 100-240 V power supply
- Diascopic intensity adjustable 100 W halogen Köhler illumination with internal 100-240 V power supply

The diascopic halogen illumination comes with two push-in/push-out neutral density filters for smooth attenuation of the light intensity for all kind of samples and with one Light Balancing Daylight filter (LBD). The diascopic NeoLED™ illumination comes with a frosted diffuse filter

LIGHT INTENSITY MEMORY FUNCTION (LIM)

LIM automatically saves preferred brightness while changing magnifications. It eliminates the need for adjusting lamp brightness when changing magnification. This allows maintaining preferred brightness at each magnification, thus improving user efficiency significantly and reducing eye strain. Standard on all models with a motorized nosepiece, for other models see ordering instructions below

For ordering Automatic light intensity memory function

Example: DX.1153-PLi = DX.1153-PLi/LIM model but with automatic light control

NEOLED™

The innovative NeoLED™ design is a combination of a custom LED and a specially designed thin lens with a short focal length in order to obtain three main benefits:

- More oblique light from the LED light source can be captured, which increases the light output significantly

- Less energy is required to achieve this level of light intensity
- The larger aperture of NeoLED™ allows the optical system to produce images at higher resolutions, very close to the theoretical diffraction limit of the optics

ICARE SENSOR

The unique iCare Sensor is developed to avoid unnecessary loss of energy. The illumination of the microscope automatically switches off shortly after the microscopist steps away from the microscope

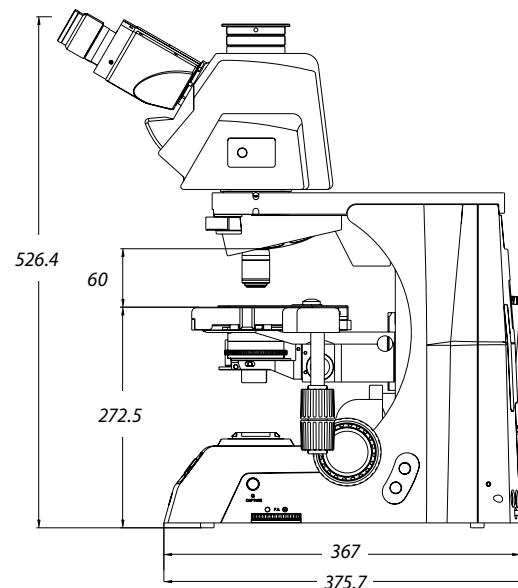
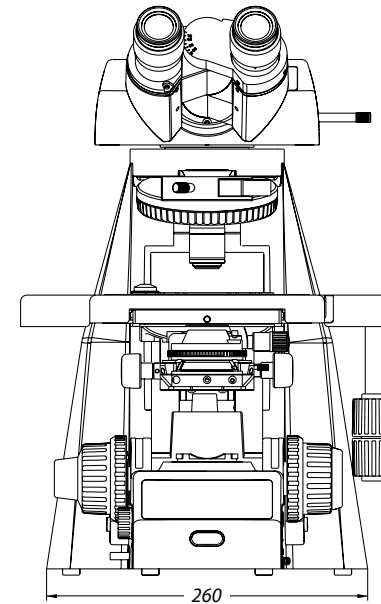
CARRYING GRIP

The carrying grip at the back of the microscope ensures safe transportation of the microscope and the integrated tool & holder makes sure the right tool is always available

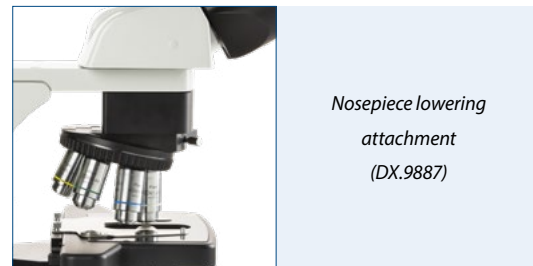
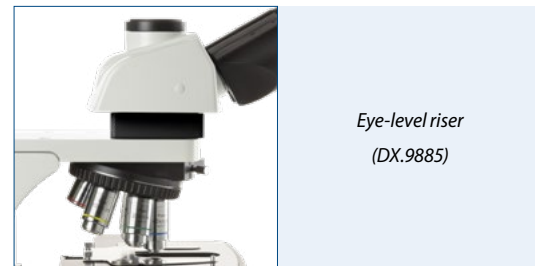
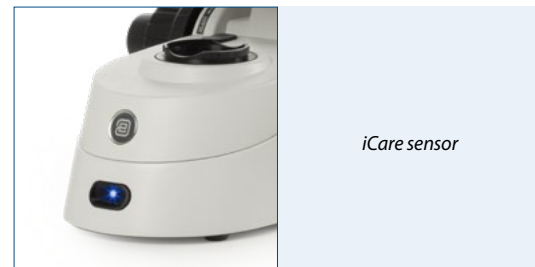
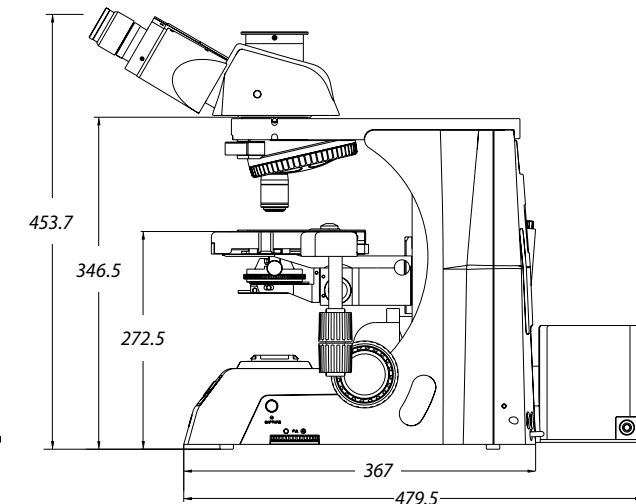
PACKAGE CONTENT

Supplied with power cord, dust cover, a spare fuse, user manual and 5 ml immersion oil. LED versions come with a white and yellow filter and halogen models come with a blue filter. All packed in a polystyrene box

DIMENSIONS



● DX.1152-PLi + DX.DIGI-ADD



STANDARD MODELS

MODELS	Ergonomic tilting head	SWF 10x/25 mm eyepieces	Sextuple nosepiece	Plan 4/10/20/ S40 EIS objectives	S100x oil EIS objective	Plan semi-apo 4/10/20/S40/S100x oil EIS objectives	Plan phase 10/20/ S40/ S100x oil EIS objectives	3 W NeoLED™ Köhler	100 W 24 V halogen Köhler
DX.1053-PLi		•	•	•				•	
DX.1153-PLi		•	•	•	•			•	
DX.1158-PLi	•	•	•	•	•			•	
DX.1153-APLi		•	•			•		•	
DX.1158-APLi	•	•	•			•		•	
DX.1153-PLPHi		•	•				•	•	
DX.1158-PLPHi	•	•	•				•	•	
DX.2053-PLi		•	•	•					•
DX.2153-PLi		•	•	•	•				•
DX.2158-PLi	•	•	•	•	•				•
DX.2153-APLi		•	•			•			•
DX.2158-APLi	•	•	•			•			•
DX.2153-PLPHi		•	•				•	•	
DX.2158-PLPHi	•	•	•				•	•	

Some models are also available as in vitro diagnostic medical devices class A - (EU) 2017/746. Contact your Euromex dealer



● DX.1153-PLi

MOTORIZED MODELS

MODELS	Ergonomic tilting head	SWF 10x/25 mm eyepieces	Sextuple nosepiece	Plan 4/10/20/ S40/ S100x oil EIS objectives	Plan semi-apo 4/10/20/ S40/S100x oil EIS objectives	3 W NeoLED™ Köhler	100 W 24 V halogen Köhler
DX.1173-PLi		•	•	•		•	
DX.1178-PLi	•	•	•	•		•	
DX.1173-APLi		•	•		•	•	
DX.1178-APLi	•	•	•		•	•	
DX.2173-PLi		•	•	•			•
DX.2178-PLi	•	•	•	•			•
DX.2173-APLi		•	•		•	•	
DX.2178-APLi	•	•	•		•	•	

For ordering more motorized models, substitute the third digit 5" of the model reference with the digit 7"
Example: DX.1173-PLi = DX.1153-PLi model but with motorized nosepiece, flip-down condenser and automatic light control
Some models are also available as in vitro diagnostic medical devices class A - (EU) 2017/746. Contact your Euromex dealer

FACE-TO-FACE DUAL HEAD SYSTEMS

MODELS	Total users	Trinocular head SWF 10x/25 mm eyepieces	Binocular head SWF 10x/22 mm eyepieces	Sextuple nosepiece	Plan 4/10/20/ S40/ S100x oil EIS objectives	Plan semi-apo Fluarex 4/10/20/ S40/S100x oil EIS objectives	Plan phase 10/20/S40/ S100x oil EIS objectives	3 W NeoLED™ Köhler	100 W 24 V halogen Köhler
DX.1154-PLi	2	1x	1x	•	•			•	
DX.1154-APLi	2	1x	1x	•		•		•	
DX.1154-PLPHi	2	1x	1x	•			•	•	
DX.2154-PLi	2	1x	1x	•	•				•
DX.2154-APLi	2	1x	1x	•		•			•
DX.2154-PLPHi	2	1x	1x	•			•	•	

Some models are also available as in vitro diagnostic medical devices class A - (EU) 2017/746. Contact your Euromex dealer

MULTIHEAD SYSTEMS

MODELS	Total users	Trinocular head SWF 10x/25 mm eyepieces	Number of binocular heads	Binocular head SWF 10x/25 mm eyepieces	Sextuple nose-piece	Plan 4/10/20/ S40/ S100x oil EIS objectives	Plan semi-apo Fluarex 4/10/20/S40/ S100x oil EIS objectives	Plan phase 10/20/S40/ S100x oil EIS objectives	3 W NeoLED™ Köhler	100 W 24 V halogen Köhler
DX.1156-PLi/2	2	1x	1	•	•	•			•	
DX.1156-PLi/3	3	1x	2	•	•	•			•	
DX.1156-PLi/5	5	1x	4	•	•	•			•	
DX.1156-PLi/10	10	1x	9 ⁽¹⁾	•	•	•			• ⁽²⁾	
DX.1156-APLi/2	2	1x	1	•	•		•		•	
DX.1156-APLi/3	3	1x	2	•	•		•		•	
DX.1156-APLi/5	5	1x	4	•	•		•		•	
DX.1156-APLi/10	10	1x	9 ⁽¹⁾	•	•		•		• ⁽²⁾	
DX.1156-PLPHi/2	2	1x	1	•	•			•	•	
DX.1156-PLPHi/3	3	1x	2	•	•			•	•	
DX.1156-PLPHi/5	5	1x	4	•	•			•	•	
DX.1156-PLPHi/10	10	1x	9 ⁽¹⁾	•	•			•	• ⁽²⁾	
DX.2156-PLi/2	2	1x	1	•	•	•				•
DX.2156-PLi/3	3	1x	2	•	•	•				•
DX.2156-PLi/5	5	1x	4	•	•	•				•
DX.2156-PLi/10	10	1x	9 ⁽¹⁾	•	•	•				•
DX.2156-APLi/2	2	1x	1	•	•		•			•
DX.2156-APLi/3	3	1x	2	•	•		•			•
DX.2156-APLi/5	5	1x	4	•	•		•			•
DX.2156-APLi/10	10	1x	9 ⁽¹⁾	•	•		•			•
DX.2156-PLPHi/2	2	1x	1	•	•			•	•	
DX.2156-PLPHi/3	3	1x	2	•	•			•	•	
DX.2156-PLPHi/5	5	1x	4	•	•			•	•	
DX.2156-PLPHi/10	10	1x	9 ⁽¹⁾	•	•			•	•	

⁽¹⁾ The model with 9 binocular heads (10 users) is supplied with EWF 10x/22 mm eyepieces

⁽²⁾ Supplied with 5 W NeoLED™ Köhler, without iCare sensor

Some models are also available as in vitro diagnostic medical devices class A - (EU) 2017/746. Contact your Euromex dealer

ACCESSORIES AND SPARE PARTS

EYEPIECES

Ø 30 mm tube

- DX.6010** Super wide field SWF 10x/25 mm eyepiece
- DX.6010-CM** Super wide field SWF 10x/25 mm eyepiece with micrometer and crosshairs
- DX.6210** Super wide field SWF 10x/22 mm eyepiece
- DX.6210-CM** Super wide field SWF 10x/22 mm eyepiece with micrometer and crosshairs
- DX.6012** Wide field WF 12.5x/17.5 mm eyepiece
- DX.6015** Wide field WF 15x/16 mm eyepiece
- DX.6020** Wide field WF 20x/12 mm eyepiece
- DX.6099-L** Eyecups for eyepiece
- DX.6099-N** Eyeshade for eyepieces

OBJECTIVES

*Plan infinity corrected PLi, EIS 60 mm parfocal**

- DX.7201** 1x/0.04 PLi objective. WD 3.2 mm
- DX.7202** 2x/0.06 PLi objective. WD 7.5 mm
- DX.7204** 4x/0.10 PLi objective. WD 30 mm
- DX.7210** 10x/0.25 PLi objective. WD 10.2 mm
- DX.7220** 20x/0.40 PLi objective. WD 12 mm
- DX.7240** S40x/0.65 PLi objective. WD 0.7 mm
- DX.7260** S60x/0.80 PLi objectives. WD 0.3 mm
- DX.7200** S100x/1.25 immersion PLi oil objective. WD 0.2 mm
- DX.7200-I** S100x/1.25 immersion PLi oil objective with built-in iris diaphragm. WD 0.2 mm
- DX.7200-W** S100x/1.25 PLi water immersion objective*. WD 0.2 mm

*Plan Semi-Apochromatic infinity corrected PL-SAFi Fluorex, EIS 60 mm parfocal**

- DX.7304** 4x/0.13 PL-SAFi objective. WD 16.5 mm
- DX.7310** 10x/0.30 PL-SAFi objective. WD 8.1 mm
- DX.7320** 20x/0.50 PL-SAFi objective. WD 2.1 mm
- DX.7340** S40x/0.75 PL-SAFi objective. WD 0.7 mm
- DX.7300** S100x/1.30 immersion PL-SAFi oil objective. WD 0.15 mm

Plan Phase infinity corrected PLPHi,

EIS 60 mm parfocal. M25 mm thread

- DX.7710** 10x/0.25 PLPHi objective. WD 10.2 mm
- DX.7720** 20x/0.40 PLPHi objective. WD 12 mm
- DX.7740** S40x/0.65 PLPHi objective. WD 0.7 mm
- DX.7700** S100x/1.25 PLPHi oil immersion objective. WD 0.2 mm

WD = working distance

**All objectives have an M25 mm thread*

STAGES

- DX.9501-R** Stage with Gorilla glass. Right handed
- DX.9501-L** Stage with Gorilla glass. Left handed
- DX.9504-R** Stage with Sapphire glass. Right handed
- DX.9504-L** Stage with Sapphire glass. Left handed
- DX.9501-LG** Option for left handed stage with Gorilla glass*
- DX.9504-RS** Option for right handed stage with Sapphire glass*
- DX.9504-LS** Option for left handed stage with Sapphire glass*
- DX.9522** X-Y translation 30 x 30 mm stage for round stage

**Only with new Delphi-X Observer microscopes*

(resp. DX.xx5x-xxx/LG, DX.xx5x-xxx/RS and DX.xx5x-xxx/LS)

PHASE CONTRAST EQUIPMENT

- DX.9126** Phase contrast set with 10/20/S40 and S100x oil objectives, supplied with rotating disc phase contrast condenser with phase annuli and alignment telescope
- DX.9140** Rotating disc phase contrast condenser with phase annuli without objectives
- DX.9148** Alignment telescope for phase contrast, Ø 30 mm tube

CONDENSERS

- DX.9105** Abbe condenser with 0.9/1.25 swing-out front lens
- DX.9110** Dry darkfield condenser
- DX.9112** Oil immersion darkfield condenser

POLARIZER

- DX.9660** Simple polarization kit
- DX.9662** Special polarization kit for gout

DIFFERENTIAL INTERFERENCE CONTRAST

- DX.9697** Differential interference contrast set (DIC) for life science models. Includes three DIC prisms for the rotating disc condenser to be used with the 10x, 20x, 40x and 100x objectives, two sliders to be used with the 10/20x and 40x/100x objectives and DIC polarizer for transmitted light. Only supplied with newly purchased microscopes

CAMERA ACCESSORIES

- DX.9810** C-mount with 1x magnification for C-mount camera
- DX.9835** C-mount with high resolution relay 0.35x objective for 1/3 inch C-mount camera
- DX.9850** C-mount with high resolution relay 0.50x objective for 1/2 inch C-mount camera
- DX.9863** C-mount with high resolution relay 0.63x objective for 2/3 inch C-mount camera
- AE.5130** Universal SLR adapter with built-in 2x lens for standard 23.2 mm tube. Needs T2 adapter
- AE.5025** T2 adapter for Nikon D SLR digital camera
- AE.5040** T2 adapter for Canon EOS SLR digital camera

MISCELLANEOUS

- DX.5701** Siedentopf ergonomic binocular tilting head
- DX.0070** Motorized nosepiece and automatic light intensity control function for Delphi-X Observer (not for Materials Science models). Only with the purchase of a new microscope

- DX.9704** Yellow filter for lamphouse, diameter 45 mm
- DX.9885** 25.4 mm eye-level riser (1 inch)
- DX.9887** 40 mm nosepiece and stage lowering attachment
- DX.9960** 100 Watt 24 V halogen bulb (revision 1 models)
- DX.9961** 100 Watt 12 V halogen bulb (revision-2 models)
- DX.9993** 3 Watt LED replacement
- AE.5168-DX** Heating stage and temperature controller up to 50°C*
- AE.5214** 500 mA 250 V fuses for LED models, 10 pieces
- AE.5216** 5 A 250 V fuses for Halogen models, 10 pieces

DISPOSABLES

- PB.5155** Microscope slides 76 x 26 mm, ground edges, 50 pieces per pack
- PB.5157-W** Microscope slides 76 x 26 mm, ground edges and frosted side white color, 50 pieces per pack
- PB.5157-B** Microscope slides 76 x 26 mm, ground edges and frosted side blue color, 50 pieces per pack
- PB.5160** Microscope slides 76 x 26 mm with cavity, ground edges. 10 pieces per pack
- PB.5165** Coverglasses 18 x 18 mm, 0.13-0.17 mm, 100 pieces
- PB.5168** Coverglasses 22 x 22 mm, 0.13-0.17 mm, 100 pieces
- PB.5245** Lens cleaning paper, 100 sheets per pack
- PB.5255** Immersion oil, 25 ml. Refraction index n = 1.515
- PB.5274** Isopropyl alcohol 99%, 200 ml
- PB.5275** Cleaning kit: lens fluid, lint free lens tissues/paper, brush, air blower, cotton swabs



● DX.9697 DIC set



euromex.academy



Achios-X
inversoNeoLED™
euromex optical technology

Achios-X Inverso

for advanced life science applications

Experience optimal comfort and cutting-edge performance with the Achios-X Inverso, an ergonomic masterpiece featuring a state-of-the-art optical system

Tailored to meet the demands of advanced life science applications such as life cell imaging and tissue cultures. This microscope stands as an unparalleled choice



product information



● AI.4058-PLPHi

AI.1053-PLPHi	526 (h) x 244 (w) x 543 mm (d) 14.6 kg
AI.4058-PLPHi	504 (h) x 244 (w) x 520 mm (d) 16.6 kg

HIGHLIGHTS

- Extra Wide field WF 10x/22 mm, Ø 30 mm
- Head with 45° inclined tubes
- Head with ergo tilting 5° - 35° tubes and backwards tilting illumination column
- Revolving quintuple nosepiece
- IOS 60 mm Plan and Plan Phase
- Hoffman contrast and 3D relief contrast
- Low positioned stage adjustment knobs
- 3 W NeoLED™
- LCD screen for Smart Light Control
- 10 Years warranty

SPECIFICATIONS

EYEPIECES

SWF 10x/22 mm wide field eyepieces with adjustable diopter

HEAD

Binocular head with 45° inclined tubes or binocular ergo head with 5-35° tilting tubes. Interpupillary distance of 48 to 75 mm. Optional side photo port with 100-0/0-100 beamsplitter

NOSEPIECE

Revolving quintuple nosepiece on ball-bearings

OBJECTIVES - 60 MM PARFOCAL

Objectives with 1.2mm coverslip correction

Plan IOS	4x/0.10	10x/0.25	20x/0.40	S40x/0.60
Plan Semi Apo Fluarex IOS	4x/0.13	10x/0.30	20x/0.45	S40x/0.60
Plan Phase IOS		10x/0.30	20x/0.45	S40x/0.60
Plan Semi Apo Phase IOS	4x/0.3	10x/0.30	20x/0.45	S40x/0.60
Plan PLi Hoffman IOS		10x/0.25	20x/0.40	S40x/0.60

Objectives with adjustable coverslip correction

Plan Semi Apo Fluarex IOS	20x/0.45	S40x/0.60	S60x/0.70
Plan Semi Apo Fluarex Phase IOS	20x/0.45	S40x/0.60	S60x/0.70

All M25 thread and with 1.2 mm coverglass correction



STAGE

- 170 x 250 mm stage with 128 x 80 mm mechanical X-Y stage
- Supplied as standard with metal insert for Ø 65 glass plate and universal cell culture dish holder
- Optional metal inserts, Ø 38, 54 and 90 mm cell culture dish and 27x26 mm slides
- Optional metal insert for MultiWell plates (127.76 x 85.48 mm)

CONDENSER

- WD (Working distance): 75 mm, without condenser: 187 mm
- The condenser can be removed to increase WD, allowing multilayered culture flasks
- With slot for phase contrast/embossed contrast/Hoffman contrast sliders

For AI.1xxx and AI.3xxx models

- Condenser N.A. 0.30 with iris diaphragm and slot for sliders

For AI.4xxx models

- Height adjustable Kohler condenser N.A. 0.30 with iris diaphragm and 3 filter holders and shutter function
- Mounted on a backwards tilting illumination column allowing easy access to samples and placement multilayered culture flasks, without removing the condenser

CONDENSER FOR HOFFMAN CONTRAST

- All models can be equipped with a Hoffman condenser and slider with Hoffman slits for 10/20/40x objectives. Needs Hoffman objectives

SLIDER FOR 3D RELIEF CONTRAST

- All models can be equipped with a 3D relief contrast slider. Works for standard condenser and Plan or Plan Semi-Apo IOS 10/20/40x objectives

FOCUS ADJUSTMENT

- Coaxial 37.5 mm coarse and fine adjustments with 200 graduations
- Precision 1 µm, 0.2 mm per rotation
- Fine focus knobs are left/right interchangeable

ILLUMINATION

- Transmitted 3 W NeoLED™ illumination with adjustable intensity
- Internal power supply 100-240 V (CE). Fuse 500 mA 250 Vac

SMART LIGHT CONTROL

This intelligent function:

- memorizes the light intensity level for each objective
- heightens comfort
- saves valuable time during routine magnification shifts

NEOLED™

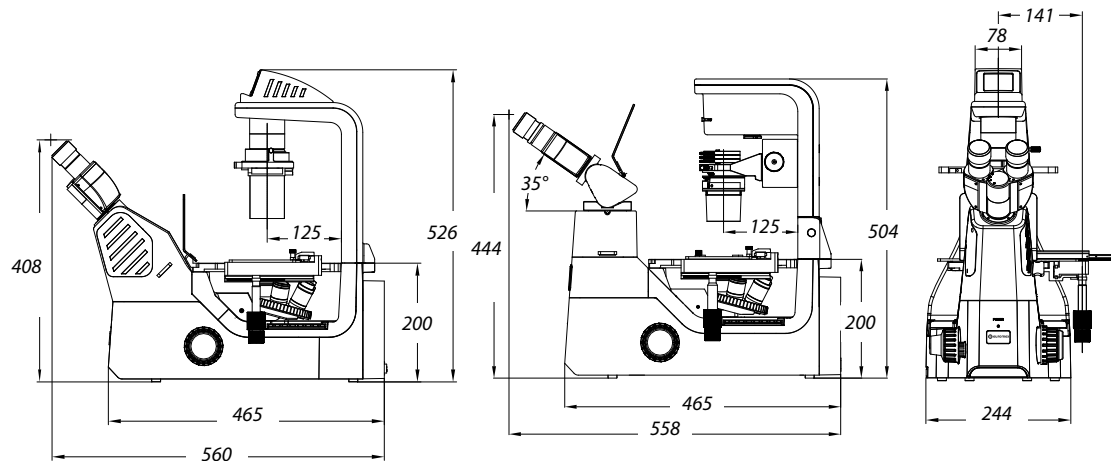
The innovative NeoLED™ design is a combination of a custom LED and a specially designed thin lens with a short focal length. Four main benefits:

- More oblique light from the NeoLED™ light source, which increases the light output significantly
- Less energy is required to achieve this level of light intensity
- The larger aperture of NeoLED™ allows the optical system of the microscope to produce images at higher resolutions, very close to the theoretical diffraction limit of the optics
- Super long life span, up to 50.000 hrs nominal, L70 norm

PACKAGE CONTENT

- Supplied with Ø 65 glass plate and universal cell culture dish holder. Also a power cord, dust cover, green filter, alignment telescope and user manual
- Optional metal inserts for Ø 38, 54 and 90 mm cell culture dish, metal insert for MultiWell plates (127.76 x 85.48 mm) and 0.5x photo adapter

DIMENSIONS



● AI.4058-PLPHi

● AI.1053-PLPHi

See chapter 8



● AI.4058-PLPHi + AI.DIGI-ADD

MODELS	Ergo head	Backwards tilting arm	Plan PLi objective 4x IOS AI.83xx	Plan phase PLPHi objectives 10/20/40 IOS AI.87xx	Plan Semi-Apo Fluarex phase objectives 10/20/40 IOS AI.89xx(I)	Plan Hoffman objectives 10/20/40x AI.88xx	3D Relief contrast	Epi-fluorescence equipment for B, G and UV excitation	Köhler illumination
AI.1053-PLPHi			•	•		o	o		
AI.3053-PLPHFi					•	o	o	•	
AI.4058-PLPHi	•	•	•	•		o	o		•
AI.4058-PLPHFi	•	•			•	o	o	•	•

o = optional

ACCESSORIES AND SPARE PARTS

EYEPIECES

Ø 30 mm tube

- AI.6015** WF 15x/16 mm eyepiece
- AI.6020** WF 20x/12 mm eyepiece
- AI.6099** Pair of eyeshades

OBJECTIVES

Plan infinity corrected PLi, IOS 45 mm parfocal

- AI.8304** 4x/0.10 PLi objective*, LWD 30 mm
- AI.8310** 10x/0.25 PLi objective*. LWD 10.2 mm
- AI.8320** 20x/0.40 PLi objective*. LWD 12.0 mm
- AI.8340** 40x/0.60 PLi objective*. LWD 2.2 mm

Plan Phase infinity corrected PLPHi, IOS 45 mm parfocal

- AI.8710** 10x/0.25 PLPHi objective*. LWD 10.2 mm
- AI.8720** 20x/0.40 PLPHi objective*. LWD 12.0 mm
- AI.8740** 40x/0.60 PLPHi objective*. LWD 2.2 mm

Plan Hoffman infinity corrected PL-HOFi, IOS 45 mm parfocal

- AI.8810** 10x/0.25 PL-HOFi objective* LWD 9.5 mm
- AI.8820** 20x/0.40 PL-HOFi objective* LWD 4.0 mm
- AI.8840** 40x/0.60 PL-HOFi objective* LWD 2.3 mm

Plan Phase Semi-Apochromatic Fluorex infinity corrected PLPH-SAFi, IOS 45 mm parfocal

- AI.8904** 4x/0.13 PLPH-SAFi objective*. LWD 17 mm
- AI.8910** 10x/0.30 PLPH-SAFi objective*. LWD 7.4 mm
- AI.8920** 20x/0.45 PLPH-SAFi objective*. LWD 8 mm
- AI.8940** 40x/0.60 PLPH-SAFi objective*. LWD 3.6 mm

Plan Phase Semi-Apochromatic Fluorex PLPH-SAFi with built-in iris diaphragm, IOS 45 mm parfocal

- AI.8920-I** 20x/0.45 PLPH-SAFi objective*. LWD 7.5-8.8 mm
- AI.8940-I** 40x/0.60 PLPH-SAFi objective*. LWD 3-4.4mm
- AI.8960-I** 60x/0.70 PLPH-SAFi objective**. LWD 1.8-2.6mm

*corrected for 0-2 mm

**corrected for 0.1-1.3 mm

All M25 thread

LWD = Long working distance

PHASE CONTRAST ACCESSORIES

- AI.9148** Telescope for phase/Hoffman contrast alignment, Ø 30 mm
- AI.9196** Phase contrast slider 10/20/40x
- AI.9190** Slider 4x/60x phase annuli
- AI.9187** Green filter for phase contrast

HOFFMAN CONTRAST

for AI.1xxx and AI.3xxx models

- AI.9148** Telescope for phase/Hoffman contrast alignment, Ø 30 mm
- AI.9680** Hoffman condenser
- AI.9683** Slider with Hoffman slits 10/20/40x for AI.4xxx models

- AI.9148** Telescope for phase/Hoffman contrast alignment, Ø 30 mm

- AI.9685** Hoffman condenser
- AI.9688** Slider with Hoffman slits 10/20/40x

3D RELIEF CONTRAST

- AI.9686** 3D relief contrast slider 10/20/40x for condenser
- AI.9687** 3D relief contrast slider 10/20/40x for head

CAMERA ACCESSORIES

For AI.1053 and AI.3153 models

- AI.9810-3** C-mount photo adapter 1x
- AI.9850-3** C-mount photo adapter 0.5x

For AI.4058 and AI.4158 models with Ergo head

- AI.9810-4** C-mount photo Adapter 1x
- AI.9870-4** C-mount photo Adapter 0.7x
- AI.9850-4** C-mount photo Adapter 0.5x

MISCELLANEOUS

- AI.9569** Universal cell culture dish holder, Ø 35-65 mm. Also holds MultiWell plates
- AI.9508** Metal insert with hole for culture flasks
- AI.9517** Metal insert for MultiWell plates (127.76 x 85.48 mm)
- AI.9535** Petri dish insert 35 mm with 76 x 26 mm slide holder
- AI.9554** Petri dish insert 54 mm with 76 x 26 mm slide holder
- AI.9590** Petri dish insert 90 mm with 76 x 26 mm slide holder
- AI.9506** Transparent glass insert ø 112 mm, inner hole ø 30 mm
- AI.9550** Stage extension plate



● For 3D emboss: AI.9686, AI.9187 and AI.9687



● For Hoffman contrast: AI.9148, AI.9680, AI.9683, AI.8810, AI.8820 and AI.88140



● AI.9517 and AI.9535 combined



● AI.9554 Petri dish insert 54 mm



● AI.9517 MultiWell plate holder



● AI.9535 Petri dish insert 35 mm



● AI.9590 Petri dish insert 90 mm



Delphi-X Inverso

Delphi-X Inverso is an inverted microscope for the professional with demanding applications of living cell cultures and stained samples. It is available in two configurations:

- for phase contrast plus DIC (differential interference contrast) equipment
- for fluorescence application

Super contrast semi-apochromatic objectives with collar adjustment ring assure perfect observation of cells or tissues in 1.2 mm thick Petri dishes or flasks



product information



• DI.1053-PLPHi

PHASE CONTRAST DI.1053-PLPHi
686.5 (h) x 276 (w) x 800 mm (d) | 31 kg

HIGHLIGHTS

- Life science applications
- Observation of tissue cultures, living cells
- Brightfield, phase contrast
- DIC (differential interference contrast)
- Long working distance
- IOS plan semi apochromatic objectives
- Revolving sextuple nosepiece
- 5 W LED or 100 W halogen transmitted illumination
- Backwards tilting condenser arm
- Easy placement of large objects
- 10 Years warranty

SPECIFICATIONS

EYEPIECES

Pair of HWF plan 10x/25 mm or 10x/22 mm eyepieces with diopter adjustment (optional)

HEAD

Trinocular 45° inclined tubes. Interpupillary distance of 47 to 78 mm. Trinocular head with 100-0, 80/20 and 0/100 positions

NOSEPIECE

Revolving sextuple nosepiece on ball-bearings. The nosepiece can be equipped with DIC prisms for the 10x, 20x, 40x and 60x objectives

OBJECTIVES

High numerical infinity semi-apochromatic long working distance plan phase Fluorex PLPHFi 10x/0.30, 20x/0.45, S40x/0.60 IOS objectives enable the sub-cellular structures. An optional 4x/0.13 and 60x/0.70 IOS objectives are also available. The 20x, 40x and optional 60 objectives are equipped with collar adjustment ring for glass thicknesses from 0 to 1.2 mm

Fluorex objectives are made of low-absorption glass.

Fluorex is a trademark of Euromex microscopen bv.

All optics are anti-fungus treated and anti-reflection coated for maximum light throughput



- Phase contrast brightfield and differential interference contrast condenser

STAGE

Stage 340 x 230 mm, equipped with a coaxial mechanical 130 x 85 mm X-Y stage. Supplied with:

- Metal insert for Ø 38 mm cell culture dish
- Metal insert for Ø 54 mm cell culture dish or 76 x 26 mm slides
- Metal insert for MultiWell plates (127.76 x 85.48 mm)
- Metal insert for Terasaki plates (83.3 x 58.0 mm)
- Optional universal cell culture holder

CONDENSER

Rotating N.A. 0.55 condenser with 6 positions, iris diaphragm and filter holders. Working distance is 26 mm. Supplied with phase contrast annuli for 10x/20x, 40x and 60x objectives, brightfield position and slots for optional DIC prisms. Three filter holders allow the insertion of Ø 38 mm filters in the optical path. The arm with condenser can be tilted backwards for convenient access to the stage. This allows easy placement of large objects like flasks and Petri dishes

MAGNIFICATION CHANGER

A magnification changer with a 1.5x lens allow intermediary magnifications of 1.5 times the standard objective magnifications. Switching from 20x to 30x or 40 to 60 and from 60x to 90x magnification can be done without the need to re-focus on the sample

FLUORESCENCE FILTER SET WHEEL

The Delphi-X Inverso is supplied with a 6-position fluorescence filter set wheel. See photo below. (More information on fluorescence in the Delphi-X Inverso fluorescence)



FOCUSING ADJUSTMENT

Coaxial 10 mm coarse and fine adjustments, 1 µm precision and with friction adjustment

ILLUMINATION

Transmitted 5 W LED or 100 W halogen Intensity adjustable with internal 100-240 V power supply. Fuse holder 5 A / 250 V. Delphi-X Inverso can be extended with fluorescence equipment

PACKAGE CONTENT

Supplied with metal insert for Ø 38 mm cell culture dish and a metal insert for Ø 54 mm cell culture dish with 76 x 26 mm slides, metal insert for MultiWell plates, metal insert for Terasaki plates, blue and green interference Ø 38 mm filters, power cord, dust cover, green filter and alignment telescope and user manual

ICSI SET

(Intracytoplasmic sperm injection)

- Perfect for inexperienced users in need of training practice as well as for professionals
- Complete manual system
- Large movement range
- Easy micropipette repositioning
- Adjustable micropipette holder angle between 20° and 40°
- Micropipette holder fixing knob reduces vibration and provides easy handling of the sperm
- Easy installation and service
- 3D Hydraulic manipulation joysticks for smooth movement
- Pneumatic Air Injector for ICSI and holding
- No service required for injector
- Identical sensitive injectors on both sides and interchangeable
- Top quality for affordable price
- Medical device CE mark
- Movement range: X/Y/Z: 20 mm each, 1 mm for one complete turn of the handle
- Optional heating stage with controller

Set includes two 3D hydraulic joysticks, two pipette setup mechanisms, one connection bar with moving handle, two air injectors with tubing and pen type micromanipulation, pipette holder, two metal plates for injectors, one set of Allen wrenches, one ruler for mechanic home position adjustment. Unit is packed in a solid carry case



• Filters in sliders

HEATING STAGE AE.8010

Heating glass stage for Euromex microscope stage with 110 mm circular hole. The glass plate fits the circular opening of the X-Y stage and enables a flat glass object-plate with constant temperature. The stage has an aluminum frame for superior resistance and flatness. Glass thickness 0.5 mm. Plate diameter 110 mm



• AE.8010 Controller

Controller AE.8010

- 2-Channel Temperature Controller with touchscreen interface
- One controller can control up to two devices
- On-board data logging allows for recording temperature as a function of time and logging calibration events and alarms
- The password protected controller is equipped with routines to re-calibrate the sensors against certified thermometers
- Temperature range: from ambient to 60°C
- Temperature accuracy on specimen: ± 0.3°C
- 4.3" touch screen interface
- Alarm buzzer and external alarm connector
- Self calibration routines enable high temperature accuracy

• DI.1053-PLPHFi with CMEX camera



MODELS	LWD Plan phase 10x/20x/540x objectives	100 W Halogen illumination	5 W LED illumination
DI.1053-PLPHFi	•		•
DI.2053-PLPHFi	•	•	

ACCESSORIES AND SPARE PARTS

EYEPIECES

Ø 30 mm tube

- DI.6010** Super wide field SWF 10x/25 mm eyepiece
- DI.6010-C** SWF* 10x/25 mm eyepiece with crosshairs
- DI.6010-M** SWF* 10x/25 mm eyepiece with micrometer
- DI.6010-CM** SWF* 10x/25 mm eyepiece with micrometer and crosshairs
- DI.6010-SG** SWF* 10x/25 mm eyepiece with 20 x 20 square grid reticle
- DI.6012** Wide field WF 12.5x/17.5 mm eyepiece
- DI.6015** Wide field WF 15x/16 mm eyepiece
- DI.6020** Wide field WF 20x/12 mm eyepiece
- DI.6210** SWF* 10x/22 mm eyepiece
- DI.6099-L** Eyecup for eyepiece

SWF = super wide field

OBJECTIVES

Plan Semi-Apochromatic Fluorex infinity corrected PL-SAFi, IOS 45 mm parfocal. Recommended for fluorescence

- DI.8604** 4x/0.13 PL-SAFi objective, LWD 17 mm
- DI.8610** 10x/0.30 PL-SAFi objective⁽¹⁾, LWD 7.4 mm⁽³⁾
- DI.8620** 20x/0.45 PL-SAFi objective⁽¹⁾, LWD 8 mm⁽³⁾
- DI.8640** 40x/0.60 PL-SAFi objective⁽¹⁾, LWD 3.3 mm⁽³⁾
- DI.8660** 60x/0.70 PL-SAFi objective, LWD 1.9 mm. With built-in iris diaphragm. Coverglass correction 0.1 - 1.3 mm

Plan Phase Semi-Apochromatic Fluorex infinity corrected PLPHFi, IOS 45 mm parfocal

- DI.8704** 4x/0.13 PLPHFi objective⁽¹⁾. LWD 16.8 mm. Needs an installed 4x phase annulus
- DI.8710** 10x/0.30, PLPHFi objective. LWD 10.2 mm
- DI.8720** 20x/0.45 PLPHFi objective⁽²⁾. LWD 7.5 to 8.8 mm.
- DI.8740** S40x/0.60 PLPHFi objective⁽²⁾. LWD 3 to 4.4 mm

LWD = Long working distance

⁽¹⁾ Coverglass correction 1.2 mm

⁽²⁾ Coverglass correction 0 - 2 mm

⁽³⁾ Recommended for DIC

All objectives M25 mounting thread

DIFFERENTIAL INTERFERENCE CONTRAST

- DI.9690-00** DIC prism with polarizer for condenser. To be used with Plan Semi-Apo 20/40x objectives
- DI.9690-10** DIC prism with polarizer for condenser. To be used with Plan Semi-Apo 10x objective
- DI.9693-10** DIC prism for nosepiece to be used with Plan Semi-Apo 10x objective
- DI.9693-20** DIC prism for nosepiece to be used with Plan Semi-Apo 20x objective
- DI.9693-40** DIC prism for nosepiece to be used with Semi-Apo 40x objective
- DI.9698** DIC analyzer for nosepiece



MICROMANIPULATOR ATTACHMENT

- AE.8000** Micromanipulator for intracytoplasmic sperm injection (ICSI) suitable with the Oxion Inverso inverted microscope
- AE.8010** Heating stage with transparent glass plate for AE.8000 Micromanipulator, including digital temperature controller

CAMERA ACCESSORIES

- DI.9810** C-mount with 1x magnification for C-mount camera
- DI.9840** C-mount with high resolution 0.40x objective for 1/3 inch C-mount camera
- DI.9850** C-mount with high resolution relay 0.50x objective for 1/2 inch C-mount camera

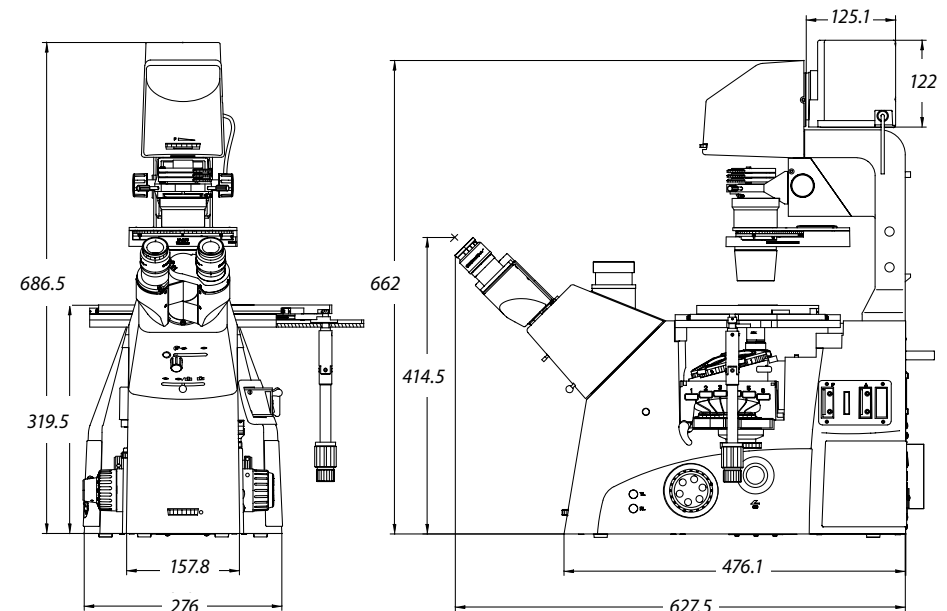
MISCELLANEOUS

- DI.9191** Phase contrast annuli for 4x PLPHFi objective DI.8704
- DI.9961** 100 Watt 12 V halogen bulb
- DI.9997** 5 Watt LED replacement
- AE.5214** 500 mA 250 V fuses for LED models, 10 pieces
- AE.5216** 5 A 250 V fuses for Halogen models, 10 pieces

DISPOSABLES

- PB.5155** Microscope slides 76 x 26 mm, ground edges, 50 pieces per pack
- PB.5157-W** Microscope slides 76 x 26 mm, ground edges and frosted side white color, 50 pieces per pack
- PB.5157-B** Microscope slides 76 x 26 mm, ground edges and frosted side blue color, 50 pieces per pack
- PB.5165** Coverglasses 18 x 18 mm, 0.13-0.17 mm, 100 pieces
- PB.5168** Coverglasses 22 x 22 mm, 0.13-0.17 mm, 100 pieces
- PB.5245** Lens cleaning paper, 100 sheets per pack
- PB.5274** Isopropyl alcohol 99%, 200 ml
- PB.5275** Cleaning kit: lens fluid, lint free lens tissues/paper, brush, air blower, cotton swabs

DIMENSIONS



LIFE SCIENCE MICROSCOPES

Oxion Inverso

The Oxion Inverso inverted microscopes are useful for observation of living organisms and tissues cultures in cell culture dishes and flasks

The Oxion Inverso series is available in two configurations:

- for brightfield and phase contrast
- for fluorescence (see chapter on fluorescence)

Dedicated objectives are suitable for 1.2 mm thick glass bottoms of cell culture dishes and flasks



product information



OX.2003-PL / OX.2053-PL
488 (h) x 231 (w) x 555 mm (d) | 12.0 kg

• OX.2053-PLPH



HIGHLIGHTS

- Life science applications
- Observation of tissue cultures, living cells
- Brightfield and phase contrast
- Long working distance IOS plan achromatic objectives
- Revolving quintuple nosepiece
- 5 W LED transmitted illumination
- 10 Years warranty

- Micromanipulator for intracytoplasmic sperm injection (ICSI)

SPECIFICATIONS

EYEPIECES

Pair of HWF plan 10x/22 mm eyepieces

HEAD

Trinocular 45° inclined tubes with extended low and high positions for eyepieces. One diopter adjustment on left eyepiece. Interpupillary distance of 54 to 75 mm. Trinocular head with 100-0 % and 0-100 % positions

NOSEPIECE

Revolving quintuple nosepiece on ball-bearings

OBJECTIVES FOR BRIGHTFIELD

(models OX.2003-PL and OX.2053-PL)
infinity color corrected long working distance plan 10x/0.25, 20x/0.40, 40x/0.60 IOS objectives. An optional 60x/0.70 IOS objective is also available

OBJECTIVES FOR PHASE CONTRAST

(models OX.2003-PLPH and OX.2053-PLPH)
infinity color corrected long working distance plan phase 10x/0.25, 20x/0.40, 40x/0.60 IOS objectives

FLUAREX OBJECTIVES FOR BRIGHTFIELD

infinity color corrected long working distance plan Fluarex 10x/0.30, 20x/0.45, 40x/0.65 IOS objectives. An optional plan Fluarex 60x/0.75 IOS objective is also available

FLUAREX OBJECTIVES FOR PHASE CONTRAST

infinity color corrected long working distance plan Fluarex 10x/0.30 and plan phase Fluarex 20x/0.45 and 540x/0.65 IOS objectives

All objectives corrected for 1.2 mm thickness.

*Fluarex objectives are made of low-absorption glass
Fluarex is a trademark of Euromex microscopen bv*

All optics are anti-fungus treated and anti-reflection coated for maximum light throughput

STAGE

Stage 250 x 230 mm equipped with a coaxial mechanical 120 x 78 mm X-Y stage. Delivered with:

- Stage extension plate
- Metal insert for Ø 65 mm cell culture dish or MultiWell
- Metal insert for 76 x 26 mm slides and 54 mm cell dish (only for models with X-Y stage)
- Optional universal cell culture holder

CONDENSER

N.A. 0.30 condenser with iris diaphragm.

Working distance 72 mm

The models for the phase contrast OX.2003-PLPH, OX.2053-PLPH, OX.2253-PLPHF and OX.2453-PLPHF are supplied with a slider with 4x/10x and 20x/40x pre-centered phase rings

FOCUSING ADJUSTMENT

Coaxial 25 mm coarse and fine adjustments, 2 µm precision and with friction adjustment

ILLUMINATION

Transmitted 5 W LED Intensity adjustable with internal 100-240 V power supply. Fuse holder 3.15 A / 250 V

Oxion Inverso can be extended with fluorescence equipment

FILTERS FOR PHASE CONTRAST MODELS

Interference filter 550 nm green and blue filter, Ø 45 mm

PACKAGE CONTENT

Supplied with metal insert with Ø 25 mm hole, metal insert for Ø 35 mm cell culture dish, blue LBD and green 550 nm interference Ø 45 mm filter, power cord, dust cover and user

manual. Phase contrast models are supplied with 4x/10x and 20x/40x phase contrast annuli in slider, green filter and alignment telescope

ICSI SET (AE.8000)

(Intracytoplasmic sperm injection)

- Perfect for inexperienced users in need of training practice as well as for professionals
- Complete manual system
- Large movement range
- Easy micropipette repositioning
- Adjustable micropipette holder angle between 20° and 40°
- Micropipette holder fixing knob reduces vibration and provides easy handling of the sperm
- Easy installation and service
- 3D Hydraulic manipulation joysticks for smooth movement
- Pneumatic air injector for ICSI and holding
- No service required for injector
- Identical sensitive injectors on both sides and interchangeable
- Top quality for affordable price
- Movement range: X/Y/Z: 20 mm each, 1 mm for one complete turn of the handle
- Optional heating stage with controller

Set includes two 3D hydraulic joysticks, two pipette setup mechanisms, one connection bar with moving handle, two air injectors with tubing and pen type micromanipulation, pipette holder, two metal plates for injectors, one set of Allen wrenches, one ruler for mechanic home position adjustment

HEATING STAGE AE.8010

Heating glass stage for Euromex microscope stage with 110 mm circular hole. The glass plate fits the circular opening of the X-Y stage and enables a flat glass object-plate with constant temperature. The stage has an aluminum frame for superior resistance and flatness. Glass thickness 0.5 mm. Plate diameter 110 mm

Controller AE.8010

- 2-Channel Temperature Controller with touchscreen interface
- One controller can control up to two devices
- External temperature sensor (included) and self calibration routines allow easy calibration of the heating devices
- On-board data logging allows for recording temperature as a function of time and logging calibration events and alarms
- The password protected controller is equipped with routines to re-calibrate the sensors against certified thermometers



● Controller of the AE.8010

- Temperature range: from ambient to 60°C
- Temperature accuracy on specimen: ± 0.3°C
- 4.3" touch screen interface
- External temperature sensor
- On-board data logging to USB drive
- Alarm buzzer and external alarm connector
- One controller can control up to two devices
- Self calibration routines enable high temperature accuracy

● OX.2053-PLPH-ICSI Oxion Inverso with ICSI equipment (intra-cytoplasmic sperm injection)



MODELS	LWD Plan 10x/20x/40x objectives	LWD Plan phase 10x/20x/40x objectives	Mechanical stage	ICSI equipment
OX.2003-PL	•			
OX.2053-PL	•		•	
OX.2003-PLPH		•		
OX.2053-PLPH		•	•	
OX.2053-PLPH-ICSI		•	•	•

LWD = long working distance

ACCESSORIES AND SPARE PARTS

EYEPIECES

Ø 30 mm tube

- OX.6010** HWF 10x/22 mm eyepiece
- OX.6015** HWF 15x/16 mm eyepiece
- OX.6110** HWF 10x/22 mm eyepiece with micrometer reticule
- OX.6099** Pair of eyecups

Plan infinity corrected PLi, IOS 45 mm parfocal⁽¹⁾

- OX.8304** 4x/0.13 PLi objective, LWD 11 mm
- OX.8310** 10x/0.25 PLi objective, LWD 7.45 mm
- OX.8320** 20x/0.40 PLi objective, LWD 6.92 mm
- OX.8340** 40x/0.65 PLi objective, LWD 2.74 mm
- OX.8360** 60x/0.70 PLi objective, LWD 1.28 mm

Plan Fluarex infinity corrected PLFi for brightfield and fluorescence, IOS 45 mm parfocal⁽¹⁾

- OX.8604** 4x/0.13 PLFi objective, LWD 18.95 mm
- OX.8610** 10x/0.30 PLFi objective, LWD 7.27 mm
- OX.8620** 20x/0.45 PLFi objective, LWD 6.03 mm
- OX.8640** 40x/0.65 PLFi objective, LWD 1.79 mm
- OX.8660** 60x/0.75 PLFi objective, LWD 1.28 mm

Plan Phase infinity corrected PLPHi, IOS 45 mm parfocal^{(1) (2)}

- OX.8404** 4x/0.13 PLPHi objective, LWD 10.75 mm
- OX.8410** 10x/0.25 PLPHi objective, LWD 7.45 mm
- OX.8420** 20x/0.40 PLPHi objective, LWD 6.92 mm
- OX.8440** 40x/0.65 PLPHi objective, LWD 2.74 mm

Plan Phase Fluarex infinity corrected PLPHFi for fluorescence and phase contrast, IOS 45 mm parfocal^{(1) (2) (3)}

- OX.8720** 20x/0.45 PLPHFi objective, LWD 6.12 mm
- OX.8740** 40x/0.65 PLPHFi objective, LWD 1.79 mm

⁽¹⁾ All objectives are corrected for 1 mm coverglass thickness except OX.8304

⁽²⁾ Phase contrast objectives require slider with phase contrast annuli OX.9163

⁽³⁾ Phase contrast objectives require slider with phase contrast annuli OX.9163

All optical parts are anti-fungus treated

LWD = Long working distance

PHASE CONTRAST ATTACHMENTS

- OX.9148** Telescope for phase contrast fluorescence alignment
- OX.9149** Telescope for phase contrast alignment
- OX.9190** Slider with 4x/10x and 20x/40x phase contrast annuli

CAMERA ACCESSORIES

- OX.9810** CS/C mount with 1.0x objective
- OX.9833** C-mount adapter with 0.33x objective for Oxion microscopes and 1/3" cameras
- OX.9850** C-mount adapter with 0.5x objective for Oxion and Oxion Inverso microscopes and 1/2" cameras
- AE.5120-2** Trinocular 23.2 mm tube for Oxion photo port revision-2
- AE.5130** Universal SLR camera adapter with 2x projection lens for 23.2 mm tubes
Needs T2 adapter and AE.5120-2
- AE.5025** T2 adapter for Nikon D digital SLR cameras
- AE.5040** T2 adapter for Canon EOS digital SLR cameras

STAGES AND HOLDERS

- OX.9500** Mechanical coaxial X-Y 120 x 78 mm stage
- OX.9506** Transparent glass insert with Ø 30 mm hole
- OX.9508** Metal insert with Ø 25 mm hole
- OX.9510** Metallic insert for Ø 65 mm cell culture dish and MultiWell
- OX.9512** Metal insert with 76 x 26 mm slide holder and Ø 55 mm cell culture dish holder
- OX.9535** Metal insert for Ø 35 mm cell culture dish holder
- OX.9550** Stage extension plate
- OX.9599** Universal cell culture dish holder



● OX.9599

MICROMANIPULATOR ATTACHMENT

- AE.8000** Micromanipulator for intracytoplasmic sperm injection (ICSI) suitable with the Oxion Inverso inverted microscope
- AE.8010** Heating stage with transparent glass plate for AE.8000 Micromanipulator, including advanced digital temperature controller

MISCELLANEOUS

- OX.9700** Blue filter Ø 45 mm
- OX.9985** 5 W NeoLED™ replacement unit
- AE.3199** Glass fuses 3.15 A 250 V packed, per 10 pieces

DISPOSABLES

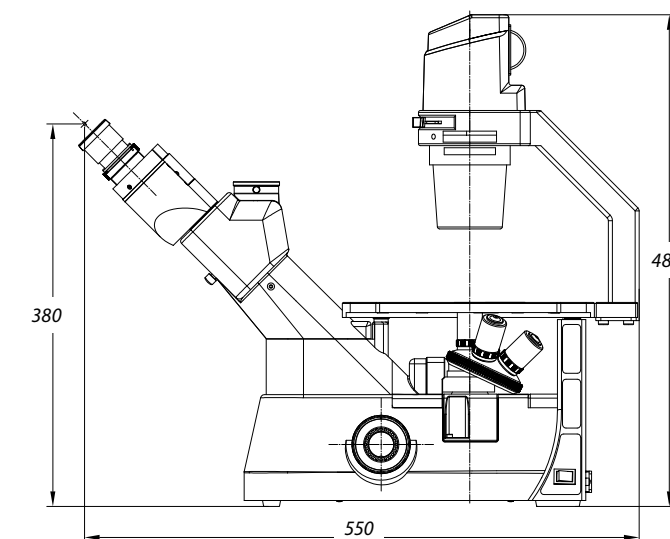
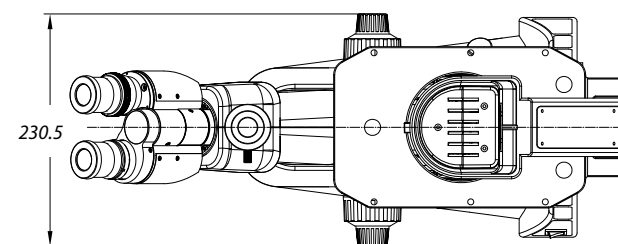
- PB.5155** Microscope slides 76 x 26 mm, ground edges, 50 pieces
- PB.5165** Coverglasses 18 x 18 mm, thickness 0.13 - 0.17 mm, 100 pieces
- PB.5168** Coverglasses 22 x 22 mm, thickness 0.13 - 0.17 mm, 100 pieces
- PB.5245** Lens cleaning paper, 100 sheets per pack
- PB.5255** Immersion oil, n = 1.515 (25 ml)
- PB.5274** Isopropyl alcohol 99% (200 ml)
- PB.5275** Cleaning kit: lens cleaning fluid, lint free lens tissues, brush, air blower, cotton swabs



euromex.academy



DIMENSIONS



● Accessories supplied with phase contrast models

Delphi-X
observer

FEATURED

life science

fluorescence microscopes

4 LIFE SCIENCE
FLUORESCENCE MICROSCOPES



Delphi-X Observer

*Discover the Delphi-X Observer with
LED fluorescence illumination, page 162*

fluorescence microscopes

Euromex offers a wide range of life science upright and inverted
microscopes for researchers and biologists worldwide

On the next pages you will find all models that can be used in life science fluorescence applications,
using mercury vapor lamps or LED technology together with optimized fluorescence filter sets



4 LIFE SCIENCE
FLUORESCENCE MICROSCOPES



product information

BSCOPE • 142

ISCOPE • 148

ACHIOS-X OBSERVER • 158

DELPHI-X OBSERVER • 162

ACHIOS-X INVERSO • 168

DELPHI-X INVERSO • 174

OXION INVERSO • 180

FLUORESCENCE LED SOURCES • 186

FLUORESCENCE FILTER SETS • 188

LIFE SCIENCE MICROSCOPES

bscope

NeoLED™
euromex optical technology



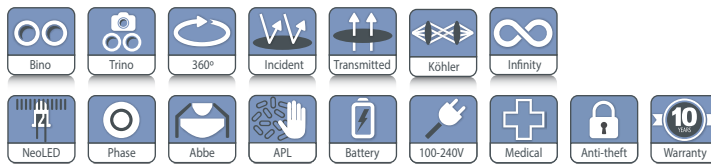
● BS.3153-PLi

The bScope microscope for fluorescence microscopy is equipped with four monochromatic LEDs

The microscopes are supplied with fluorescence filter sets and dichroic mirrors for excitation in the blue, green, violet and ultraviolet spectral regions



product information



BS.3153-PL(F)i
505 (h) x 195 (w) x 450 mm (d) | 8.8 kg

HIGHLIGHTS

- Trinocular models
- WF 10x/22 mm eyepieces, 30 mm tubes
- Diopter adjustment on both tubes
- Reversed ball-bearing quintuple nosepiece with slot for polarization filter
- Plan IOS and plan Fluarex IOS objectives
- Rackless integrated mechanical X-Y stage
- Color coded condenser
- Epi-fluorescence illumination with four monochromatic LEDs
- 3 W NeoLED™ adjustable transmitted illumination
- Integrated carrying grip
- Cable storage system and anti-theft system
- 10 Years warranty



● BS.3153-PLi

SPECIFICATIONS

EYEPIECES

Wide field HWF 10x/22 mm secured eyepieces (Ø 30 mm tube)

HEAD

The bScope is equipped with a Siedentopf type head and with 30° inclined Ø 30 mm tubes and with a ± 5 diopter adjustment on left eyepiece. The interpupillary distance is adjustable between 48 to 76 mm

The trinocular head comes with a Ø 23.2 mm tube, ensuring maximum flexibility. The prisms inside the heads are designed to minimize the light absorption for perfect digital imaging. The trinocular head has a 20:80 beamsplitter and generates an erect image

NOSEPIECE

Revolving and reversed ball-bearing quintuple nosepiece

OBJECTIVES

The state-of-the-art production techniques and multi-layer coatings used for the manufacturing of the bScope objectives

enable the bScope to be used for the most demanding applications. World class spherical aberration correction and modern CNC and assembly technology ensure the perfect centering of the objectives

- Plan infinity corrected PLi 4x/0.10, 10x/0.25, 20x/0.40, S40x/0.65, S60x/0.85 and S100x/1.25 oil immersion IOS objectives for applications where violet or Ultra-Violet excitation is not needed
- Plan Fluarex infinity corrected PLFi 4x/0.10, 10x/0.25, 20x/0.40, S40x/0.65 and S100x oil/0.90 IOS objectives for applications where either higher resolving power or violet or ultra-violet excitation is needed

All S40x, S60x and S100x oil immersion objectives are spring loaded. All optics are anti-fungus treated and anti-reflection coated for maximum light throughput

FOCUSING

Double coaxial, low-positioned coarse and fine adjustments with 180 graduations. Precision 1.1 μm , 200 μm per rotation, total travel range is approximately 19 mm. Supplied with an adjustable rack stop to prevent damage to sample and objectives. The coarse adjustment is equipped with friction control

STAGE

The bScope is equipped with a scratch-resistant 152/197 x 131 mm stage with integrated 75 x 36 mm rackless mechanical X-Y stage, Vernier scale, soft-close removable specimen holder. The rackless stage has no protruding parts, enables smoother movements and is safer in use. Low-positioned X-Y control knobs prevent fatigue during long working sessions

CONDENSER FOR BRIGHTFIELD

The standard height adjustable Abbe N.A. 1.25 condenser for brightfield comes with an iris diaphragm and swing-out filter holder. The condenser is color coded. Optionally available swing-out Abbe condenser (BS.9105)

CONDENSER FOR ZERNIKE PHASE CONTRAST

The height adjustable Zernike NA. 1.25 phase contrast disc condenser comes with phase annuli for 10/20/540x and S100x oil phase contrast objectives, an iris diaphragm, a swing-out filter holder and also a BF position for brightfield contrast. Phase contrast objectives are available in either EPL-PHi or PL-PHi versions. Supplied with alignment telescope and green filter

CONDENSER FOR SIMPLE PHASE CONTRAST

The height adjustable NA. 1.25 simple phase contrast condenser has a free slot for either a slider for 10/540x phase contrast objectives, or a slider for 20x/S100x oil phase contrast objectives. The condenser has an iris diaphragm and filter holder. The condenser includes a BF position for brightfield contrast with an iris diaphragm and filter holder. Phase contrast objectives available in either EPL-PHi or PL-PHi version. Supplied with alignment telescope and green filter

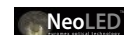
POLARIZATION

The bScope has an integrated slot above the nosepiece for an optional polarization filter

FLUORESCENCE ATTACHMENT

- Epi-illumination with four 5 W LEDs for fluorescence excitation from 450 to 470 nm (blue), 515 to 535 nm (green), 390 to 400 (violet) and 360 to 370 nm (ultraviolet). External 100-240 V power supply
- Fluorescence filter set for blue excitation (EX450-490 (BP) DM505 EM515 (LP), green excitation (EX495-555 (BP) DM580 EM595 (LP), UV excitation (EX320-380 (BP) DM420 EM435 (LP) and violet excitation (EX380-415 (BP) DM460 EM475 (LP)
- Supplied with UV protection shield

NEOLED™ TRANSMITTED ILLUMINATION



The 3 W adjustable Köhler NeoLED™ transmitted illumination is powered by an internal 100-240 V power supply making it suitable for worldwide use. The innovative NeoLED™ design offers larger apertures, allowing the optical system of the bScope microscope to produce images at higher resolutions, very close to the theoretical diffraction limit of the optics. Other benefits of the NeoLED™ is the low energy consumption, no heating and a long operating life span

Ergonomic carrying grip for easy transportation



KÖHLER ILLUMINATION

A Köhler illumination ensures for all infinity corrected IOS models the highest possible contrast and the maximum achievable resolving power. Generates a uniform illumination of the sample and eliminates all interference from dust on lenses and side glare of the light source

CORDLESS USE

The optional rechargeable AA batteries turn the bScope into a cordless system for transmitted illumination

CSS – CABLE STORAGE SYSTEM

Allows users to easily stow away excess cable length into the back of the instrument during operation and to roll up the power cable for easy storage

CARRYING GRIP

The integrated carrying grip at the back of the microscope ensures safe transportation of the microscope

ANTI-THEFT SLOT

At the back of the microscope a Kensington Security Slot is placed, which can be used to secure the instrument from theft

PACKAGE CONTENT

Smart polystyrene packaging ensures a low environmental footprint while maintaining maximum safety during transport. Supplied with power cord, dust cover, tools, a spare fuse, white filter, user manual and 5 ml immersion oil



euromex.academy



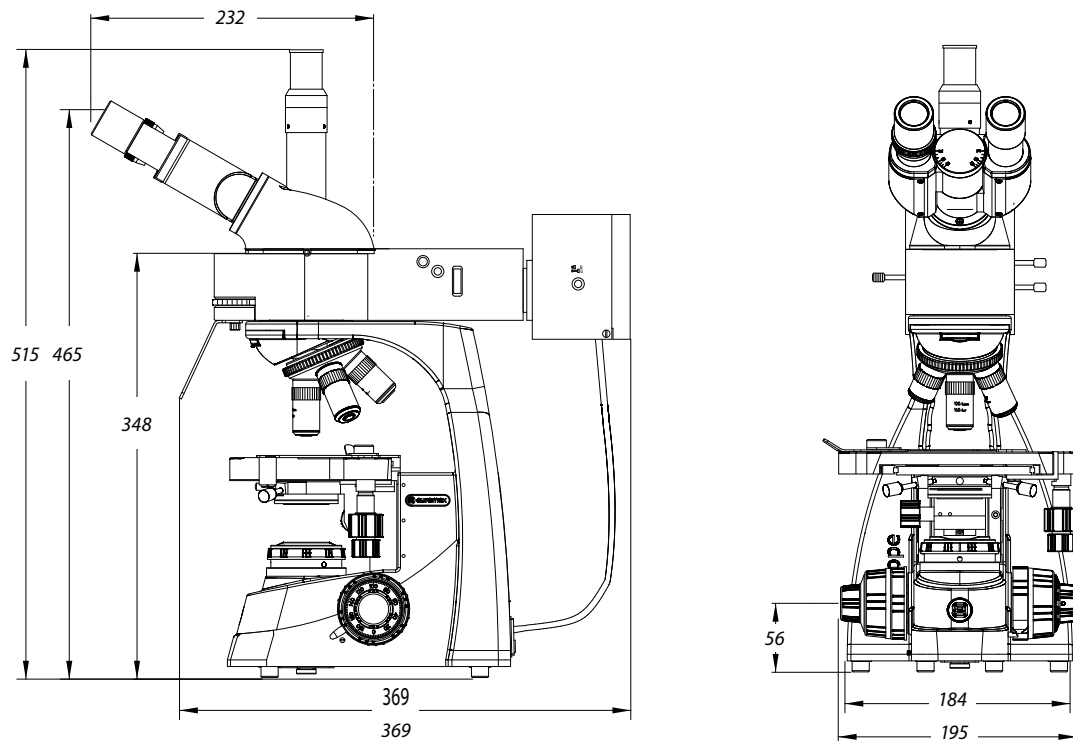
• BS.3153-PLi

BSCOPE WITH EPI-FLUORESCENCE 4 LED ILLUMINATION (BLUE, GREEN, VIOLET AND ULTRA-VIOLET)

MODELS	Trinocular	HWF 10x/22 mm eyepieces	Quintuple nosepiece Plan PLi 4/10/S40/ S100x oil	Quintuple nosepiece Plan Fluarex PLFi 4/10/S40/ S100x oil *
BS.3153-PLi	•	•	•	
BS.3153-PLFi	•	•		•

*The plan Fluarex infinity corrected IOS objectives are recommended for applications where either higher resolving power or violet or ultra-violet excitation is needed

DIMENSIONS



ACCESSORIES AND SPARE PARTS

EYEPIECES

Ø 30 mm tube

- BS.6310** WF 10x/22 mm eyepiece
- BS.6310-M** WF 10x/22 mm eyepiece
- BS.6315** WF 15x/12 mm eyepiece
- BS.6399** Pair of eyecups

OBJECTIVES

Plan infinity corrected PLi, IOS 45 mm parfocal

- BS.8404** 4x/0.10 PLi objective. WD 21.0 mm
- BS.8410** 10x/0.25 PLi objective. WD 5.0 mm
- BS.8420** 20x/0.40 PLi objective. WD 8.8 mm
- BS.8440** S40x/0.65 PLi objective. WD 0.66 mm
- BS.8460** S60x/0.80 PLi objective. WD 0.46 mm
- BS.8400** S100x/1.25 oil immersion PLi objective. WD 0.36 mm

Plan Fluarex infinity corrected PLFi, IOS 45 mm parfocal

- 86.550** 4x /0.15 PLFi objective. WD 21.6 mm
- 86.552** 10x/0.35 PLFi objective. WD 2.9 mm
- 86.554** 20x/0.65 PLFi objective. WD 1.5 mm
- 86.556** PLF S40x/0.85 PLFi objective WD 0.6 mm
- BS.7400** S100x/0.9 oil immersion PLFi objective. WD 0.13 mm

WD = working distance

For phase contrast equipment and accessories, see chapter 4 Life science, bScope

CONDENSERS

- BS.9102** Abbe condenser 1,25 NA with slot for darkfield and phase contrast sliders
- BS.9170** Slider with darkfield stop for standard Abbe condenser with slot
- BS.9105** Swing-out Abbe condenser 0.9/1.25 NA

POLARIZATION ATTACHMENTS

- BS.9647** Polarization polarizer Ø 6 mm for slider under bScope head
- BS.9651** Polarization attachment for lamphouse with 360° scale

MISCELLANEOUS

- BS.9993** NeoLED™ replacement unit
- BS.9200-LED/WOO** Epi-fluorescence illuminator Life science microscopes
- AE.1370** Set of rechargeable AA batteries, three pieces
- AE.5226** Glass fuses 3A 250V, 10 pieces

CAMERA ACCESSORIES

- AE.5130** Universal Ø 23.2 mm tube adapter with built-in 2x lens for SLR photo camera with APS-C sensor. Needs T2 adapter
- AE.5025** T2 adapter for Nikon D SLR digital camera
- AE.5040** T2 adapter for Canon EOS SLR digital camera

DISPOSABLES

- PB.5155** Microscope slides 76 x 26 mm, ground edges, 50 pieces
- PB.5165** Coverglasses 18 x 18 mm, thickness 0.13-0.17 mm, 100 pieces
- PB.5168** Coverglasses 22 x 22 mm, thickness 0.13-0.17 mm, 100 pieces
- PB.5245** Lens cleaning paper, 100 sheets per pack
- PB.5255** Immersion oil (25 ml). n = 1.515
- PB.5274** Isopropyl alcohol 99% (200 ml)
- PB.5275** Cleaning kit: lens cleaning fluid, lint free lens tissues/paper, brush, air blower, cotton swabs
- PB.5276** Microscope maintenance and servicing kit, 16 pieces: cleaning brush, screwdriver set of 6, air blower, 3 Allen keys, 1.5, 2, 2.5 mm, lens cleaning fluid 20 ml, cleaning cloth 140 x 140 mm, 100 lens tissue sheets, tube of maintenance grease, 10 ml bottle of oil, packed in a nice toolbox

LIFE SCIENCE MICROSCOPES

iscope

NeoLED™
euromex optical technology



● IS.3152 PLi-3

iScope fluorescence

The excellent optics and mechanical components make the iScope a state-of-the-art microscope that is amongst others suitable for fluorescence applications in life science and biotechnological fields

The iScope fluorescence microscope can be supplied with:

- 6-position rotating attachment with 100 W mercury vapor light source
- 3-position slider attachment with 100 W mercury vapor light source



product information



IS.3153-XXX

407 (h) x 210 (w) x 255 mm (d) | 11.3 kg

HIGHLIGHTS

- HWF 10x/22 mm eyepieces
- Optional ergonomic tilting head
- E-Plan, plan and plan Fluorex corrected IOS objectives
- 187/230 x 140 mm rackless stage with integrated X-Y stage
- Height adjustable Abbe condenser N.A. 1.25
- Diascopic 3 W NeoLED™ Köhler illumination
- Epi-fluorescence 100 W HBO mercury vapor
- iCare sensor for energy saving
- CSS - Cable Storage System
- 10 Years warranty

SPECIFICATIONS

EYEPIECES

EWF 10x/22 mm eyepieces which can be secured.

HEAD

Trinocular Siedentopf type heads with 30° inclined tubes, interpupillary distance 48 to 76 mm. The plan infinity corrected models have a light path selector (100:0 / 50:50) and ± 5 diopter adjustments on both tubes. The E-plan infinity corrected models have a fixed beam splitter (50:50) and one ± 5 diopter adjustment. All models come with a Ø 23.2 mm photo port. A unique rotating system allows the ergonomic positioning of eyepieces in a high (431 mm) and in a low position (397 mm). An optional ergonomic tilting head and photo attachment are also available

NOSEPIECE

Revolving and reversed nosepiece for a maximum of five objectives

OBJECTIVES

E-Plan EPLi IOS	4x/0.10	10x/0.25		S40x/0.65		S100x/1.25 oil
Plan PLi IOS	4x/0.10	10x/0.25	20x/0.40*	S40x/0.65	S60x/0.85*	S100x/1.25 oil
Plan PLFi IOS	4x/0.13	10x/0.30	20x/0.50*	S40x/0.75		S100x/1.30 oil

* optional: the plan Fluorex PLFi objectives are suitable for violet and ultra violet excitation
All optics are anti-fungus treated and anti-reflection coated for maximum light throughput



● IS.3153-PLFi/6

STAGE

187/230 x 140 mm rackless stage equipped with double slide holder and integrated 79 x 52 mm mechanical X-Y stage.

The iScope rackless stage has no protruding parts, enabling smoother movements and is safer

CONDENSER FOR BRIGHTFIELD

The standard height adjustable Abbe N.A. 1.25 condenser for brightfield accepts sliders with phase annuli suitable for plan phase 10x/20x or S40x/S100x oil immersion IOS objectives for economical phase contrast. With magnification indication. A slider with a simple dark stop for darkfield up to 400x magnification is also available

CONDENSER FOR ZERNIKE PHASE CONTRAST

An optional height adjustable Zernike NA. 1.25 phase contrast disc condenser with plan phase 10/20/S40x and S100x oil immersion objectives and darkfield stop position for darkfield contrast observation up to 400x magnification

FOCUSING

Coaxial coarse and fine adjustments, 200 graduations, 1 µm per graduation, 200 µm per rotation, total travel range is approximately 24 mm. Supplied with an adjustable rack stop to prevent damage to sample and objectives. The coarse adjustments are equipped with friction control

NEOLED™ ILLUMINATION



3 W adjustable Köhler NeoLED™ diascopic illumination with internal 100-240 V power supply

The innovative NeoLED™ design offers larger apertures, allowing the optical system of the iScope microscope to produce images at higher resolutions, very close to the theoretical diffraction limit of the optics. Other benefits of the NeoLED™ is the low energy consumption, no heating and a long operating life span

The Köhler illumination on models with IOS plan and plan phase infinity corrected systems provides high contrast and a maximum achievable resolving power of the optics. Also available for other models as an option

ILLUMINATION FOR FLUORESCENCE

The 6-position rotating or 3-position slider fluorescence attachments are supplied with standard 100 W HBO mercury vapor light source for a broad powerful light spectrum and 100-240 V external power supply with indication of the life span of 100 W HBO lamp

Supplied with standard fluorescence filter sets for blue excitation (EX460-490 (BP) DM500 EM520 (LP) and green excitation (EX510-550 (BP) DM570 EM590 (LP) and a UV protection shield. Optional standard fluorescence filters for UV excitation (EX330-385 (BP) DM400 EM420 (LP) and violet excitation (EX400-410 (BP) DM455 EM455 (LP)

The iScope fluorescence microscopes can also be supplied with optimized and zero-pixel shift optimized filter sets on request. See end of this chapter

LED ILLUMINATION FOR FLUORESCENCE

Two LED sources for fluorescence are available for 4 or 9 excitation wavelengths. See our product LE.6400

ICARE SENSOR

The unique iCare Sensor is developed to avoid unnecessary loss of energy. The illumination of the microscope automatically switches off shortly after microscopists step away from their position

CSS-CABLE STORAGE SYSTEM

iScope allows users to easily insert the power cable into the back of the instrument, which enables easy storage

The integrated carrying grip at the back of the microscope ensures safe transportation of the microscope

PACKAGE CONTENT

Supplied with power cord, dust cover, a spare fuse, user manual and 5 ml immersion oil for models with S100x oil objective. Models with 100 W mercury vapor light source have a UV protection shield. All packed in polystyrene boxes



● iScope with LED fluorescence LE.6400

6-POSITION ROTATING ATTACHMENT

With 100 W mercury vapor light source. The 6-position rotating fluorescence attachments are supplied with a standard 100 W HBO mercury vapor light source for a broad powerful light spectrum. Supplied with standard fluorescence filter sets for excitation in the blue and green light spectrum and a UV protection shield

MODELS	Trino	Diopter adjustable on both sides	E-plan EPLi 4x/10x/S40x and S100x oil objectives	Plan PLi 4x/10x/S40x and S100x oil objectives	Plan PLFi 4x/10x/S40 and S100x oil objectives	Filter sets (blue & green)	100 W HBO light source	LED fluorescence illumination*	NeoLED™ illumination
IS.3153-EPLi/6	•		•			•	•	o*	•
IS.3153-PLi/6	•	•		•		•	•	o*	•
IS.3153-PLFi/6	•	•			•	•	•	o*	•

* Can be supplied optionally. Please order the LE.6400-ADD to replace the HBO illumination for the LE.6400 illuminator. See **LED light sources** in this chapter for more information

3-POSITION SLIDER ATTACHMENT

With 100 W mercury vapor light source. The 3-position slider fluorescence attachments are supplied with standard 100 W HBO mercury vapor light source for a broad powerful light spectrum. Supplied with standard fluorescence filter sets for blue and green excitation and a UV protection shield

MODELS	Trino	Diopter adjustable on both sides	Plan PLi 4x/10x/S40x and S100x oil objectives	Plan PLFi 4x/10x/S40x and S100x oil objectives	Filter sets (blue & green)	100 W HBO light source	LED fluorescence illumination*	NeoLED™ illumination
IS.3153-PLi/3	•	•	•		•	•	o*	•
IS.3153-PLFi/3	•	•		•	•	•	o*	•

* Can be supplied optionally. Please order the LE.6400-ADD to replace the HBO illumination for the LE.6400 illuminator. See **LED light sources** in this chapter for more information

ACCESSORIES AND SPARE PARTS

EYEPIECES

Ø 30 mm tube

- IS.6210** EWF 10x/22 mm eyepiece
- IS.6210-C** EWF 10x/22 mm eyepiece with crosshairs
- IS.6210-P** EWF 10x/22 mm eyepiece with pointer
- IS.6210-CM** EWF 10x/22 mm eyepiece with 10/100 micrometer and crosshairs
- IS.6212** WF 12.5x/17 mm eyepiece
- IS.6215** WF 15x/16 mm eyepiece
- IS.6220** WF 20x/12 mm eyepiece
- IS.6299** Pair of eyecups infinity models

- IS.7140** S40x/0.65 EPL objective. WD 0.45 mm
- IS.7160** S60x/0.85 EPL objective. WD 0.19 mm
- IS.7100** S100x/1.25 EPL oil objective. WD 0.13 mm

Plan Phase PLPH, 45 mm parfocal*

- IS.7710** 10x/0.25 PLPH objective. WD 12.2 mm
- IS.7720** 20x/0.40 PLPH objective. WD 5 mm
- IS.7740** S40x/0.65 PLPH objective. WD 0.37 mm
- IS.7700** S100x/1.25 PLPH oil objective. WD 0.13 mm

E-plan infinity corrected EPLi, IOS 45 mm parfocal*

- IS.8804** 4x/0.10 EPLi objective. WD 15.4 mm
- IS.8810** 10x/0.25 EPLi objective. WD 5.8 mm
- IS.8840** S40x/0.65 EPLi objective. WD 0.43 mm
- IS.8800** S100x/1.25 EPLi oil objective. WD 0.13 mm

*0.17 mm cover glass correction

OBJECTIVES

E-plan EPL, 45 mm parfocal*

- IS.7104** 4x/0.10 EPL objective. WD 15.2 mm
- IS.7110** 10x/0.25 EPL objective. WD 5.5 mm
- IS.7120** 20x/0.40 EPL objective. WD 3.5 mm

Plan infinity corrected PLi, IOS 45 mm parfocal*

- IS.7202** 2x/0.05 PLi objective, WD 18.3 mm.
Best used together with swing-out condenser (no coverglass correction)
- IS.7204** 4x/0.10 PLi objective. WD 15.4 mm (no coverglass correction)
- IS.7210** 10x/0.25 PLi objective. WD 10 mm
- IS.7220** 20x/0.40 PLi objective. WD 5.1 mm
- IS.7240** S40x/0.65 PLi objective. WD 0.54 mm
- IS.7260** S60x/0.85 PLi objective. WD 0.14 mm
- IS.7200** S100x/1.25 PLi oil objective. WD 0.13 mm
- IS.7200-I** S100x/1.25 PLi super contrast oil objective with built-in iris diaphragm. WD 0.13 mm
- IS.7200-W** PLi S100x/1.10 IOS water immersion objective. WD 0.14 mm

Plan Fluarex infinity corrected PLFi, IOS 45 mm parfocal*

- IS.7404** 4x/0.13 PLFi objective. WD 16.4 mm
- IS.7410** 10x/0.30 PLFi objective. WD 2.9 mm
- IS.7420** 20x/0.50 PLFi objective. WD 1.4 mm
- IS.7440** S40x/0.75 PLFi objective. WD 0.34 mm
- IS.7400** S100x/1.30 PLFi oil objective. WD 0.2 mm

Plan Phase infinity corrected PLPHi, IOS 45 mm parfocal*

- IS.8910** 10x/0.25 PLPHi objective. WD 10.2 mm
- IS.8920** 20x/0.40 PLPHi objective. WD 5.1 mm
- IS.8940** S40x/0.65 PLPHi objective. WD 0.5 mm
- IS.8900** S100x/1.25 PLPHi oil objective. WD 0.13 mm

WD = working distance

* 0.17 mm cover glass correction (except IS.7202 and IS.7204)

CONDENSERS

- IS.9102** Standard Abbe condenser 1.25 NA condenser with slot for darkfield and phase contrast sliders
- IS.9105** Swing-out 0.9/1.25 NA condenser

PHASE CONTRAST ATTACHMENTS

- IS.9124** Zernike phase contrast set PLPH 10/20/40/100 brightfield and darkfield position
- IS.9127** Zernike phase contrast set PLPHi 10/20/40/100 IOS brightfield and darkfield position

- IS.9148** Telescope for phase contrast Ø 30 mm tube
- IS.9149** Telescope for phase contrast Ø 23.2 mm tube
- IS.9160** Phase contrast slider set with 10x and S40x PLPH objectives and annuli for 10/S40x PLPH objectives. Also suitable for optional 20x PLPH objective
- IS.9161** Phase contrast slider set with 20x and S100x oil PLPH objectives and annuli for 20x/S100x oil PLPH objectives
- IS.9162** Phase contrast slider set with 10x and S40x PLPHi IOS infinity corrected objectives and annuli for 10x/S40x PLPHi IOS infinity corrected objectives. Also suitable for optional 20x PLPHi infinity corrected objective
- IS.9163** Phase contrast slider set with 20x and S100x oil PLPHi IOS infinity corrected objectives and annuli for 20x/S100x PLPHi IOS infinity corrected objectives
- IS.9194** Slider with phase contrast annuli for S40 phase contrast objective

POLARIZATION ATTACHMENTS

- IS.9600** Polarization filter 45 mm for lamphouse
- IS.9601** Polarization set: simple rotating polarizer for lamphouse and fixed polarizer mounted under head
- IS.9626** Polarization filter for mounting under the head

FILTERS

- IS.9700** Blue filter 45 mm for lamphouse
- IS.9702** Green filter 45 mm for lamphouse
- IS.9704** Yellow filter 45 mm for lamphouse
- IS.9706** White opaque filter 45 mm for lamphouse

OPTIMIZED FLUORESCENCE FILTER SETS

- IS.9749-6** Empty filter cube for 6-position fluorescence attachment
- IS.9749-3** Empty filter cube for 3-position fluorescence attachment
- IS.9753** Filter rail, 3-position

CAMERA ACCESSORIES

- IS.9800** Single photo tube attachment with one Ø 23.2 mm tube for IS.5700 ergonomic tilting head of iScope infinity systems

- AE.5130** Universal SLR adapter with built-in 2x lens for standard 23.2 mm tube. Needs T2 adapter
- AE.5025** T2 adapter for Nikon D SLR digital camera
- AE.5040** T2 adapter for Canon EOS SLR digital camera

MISCELLANEOUS

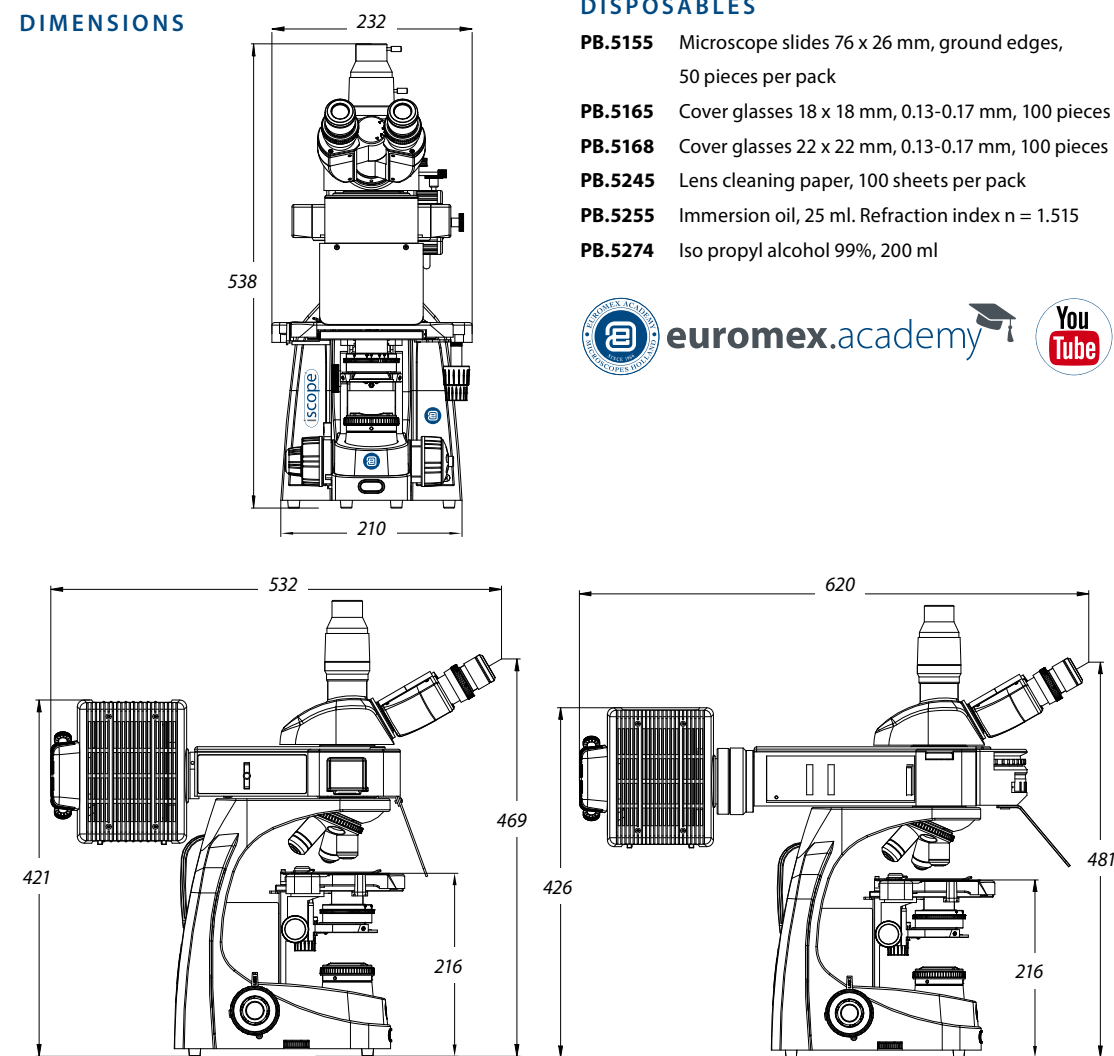
- AE.3684** Glass fuses 500 mA 250 V, 10 pieces
- SL.5500** NeoLED™ replacement unit

- PB.5275** Cleaning kit: lens fluid, lint free lens tissues/paper, brush, air blower, cotton swabs
- PB.5276** Microscope maintenance and servicing kit, 16 pieces: cleaning brush, screwdriver set of 6, air blower, 3 Allen keys, 1.5, 2, 2.5 mm, lens cleaning fluid 20 ml, cleaning cloth 140 x 140 mm, 100 lens tissue sheets, tube of maintenance grease, 10 ml bottle of oil, packed in a nice toolbox

DISPOSABLES

- PB.5155** Microscope slides 76 x 26 mm, ground edges, 50 pieces per pack
- PB.5165** Cover glasses 18 x 18 mm, 0.13-0.17 mm, 100 pieces
- PB.5168** Cover glasses 22 x 22 mm, 0.13-0.17 mm, 100 pieces
- PB.5245** Lens cleaning paper, 100 sheets per pack
- PB.5255** Immersion oil, 25 ml. Refraction index n = 1.515
- PB.5274** Iso propyl alcohol 99%, 200 ml

DIMENSIONS



TB & MALARIA MICROSCOPY

iScope

NeoLED™
euromex optical technology

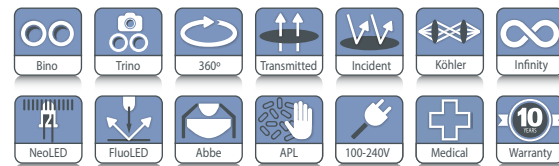


● IS.3152-PLI/TB

iScope 4 for infectious diseases

Access to accurate, reliable diagnostics is essential in the global fight against infectious diseases. Therefore we have developed two specialized versions of our renowned iScope, tailored specifically for tuberculosis (TB) and malaria screening

Fluorescence microscopy offers faster and more efficient TB screening because bacilli fluoresce very brightly in a large field of view (400x). It is also more sensitive, especially in low bacillary loads compared to traditional ZN, TST, IGRAs or molecular tests. The increased speed and detection rate are cost-effective and lead to better outcomes



IS.1152-PLI/TM	410 (h) x 232 (w) x 336 mm (d) 8.7 kg
IS.3152-PLI/TB	485 (h) x 232 (w) x 475 mm (d) 10.2 kg

HIGHLIGHTS

- LED illumination for long lifespan
- High-resolution optical system
- Rugged, field-ready design
- Ergonomic viewing and intuitive controls
- Objectives 40x and 100x without coverglass correction (with coverglass correction optional)
- Medical device IVDR
- Optional wooden case
- Optional (solar) battery pack (only with a new microscope)
- Optional cleaning kit
- Optional mirror attachment

WHY CHOOSE EUROMEX?

With decades of expertise in optical innovation, Euromex is proud to support healthcare professionals with diagnostic solutions that are reliable, accessible and field-proven. Our iScope special editions for TB and malaria screening are trusted worldwide to enhance diagnostic accuracy and save lives

ISCOPE FOR TB SCREENING

Fluorescence

Designed for the detection of Mycobacterium tuberculosis, this model features a powerful LED fluorescence illumination system optimized for Auramine O staining techniques. Its high-contrast optics and ergonomic build support long hours of screening with minimal fatigue, making it ideal for labs and decentralized testing programs

ISCOPE FOR MALARIA SCREENING

Ziehl-Neelsen (ZN) microscopy

Purpose-built brightfield microscope for Giemsa-stained and Ziehl-Neelsen smear examination and general lab use. This edition of the iScope ensures accurate detection of Plasmodium parasites at every developmental stage. It equally does the same outstanding job for Ziehl-Neelsen microscopy. Acid-Fast Bacilli (AFB) stained samples using ZN allow quick diagnoses in a reliable set-up



● IS.1152-PLi/TM

ACCESSOIRES EYEPIECES

Ø 30 mm tube

- IS.6210 EWF 10x/22 mm eyepiece
- IS.6210-C EWF 10x/22 mm eyepiece with crosshairs
- IS.6210-P EWF 10x/22 mm eyepiece with pointer
- IS.6210-CM EWF 10x/22 mm eyepiece with 10/100 micrometer and crosshairs
- IS.6215 WF 15x/16 mm eyepiece
- IS.6220 WF 20x/12 mm eyepiece
- IS.6310 EWF 10x/20 mm eyepiece
- IS.6299 Pair of eyecups infinity models

OBJECTIVES

Plan infinity corrected PLi, IOS 45 mm parfocal

- IS.7202 2x/0.05 PLi objective, WD 18.3 mm. **
- IS.7204 4x/0.10 PLi objective. WD 15.4 mm
- IS.7210 10x/0.25 PLi objective. WD 10 mm *
- IS.7220 20x/0.40 PLi objective. WD 5.1 mm *
- IS.7240 S40x/0.65 PLi objective. WD 0.54 mm *
- IS.7260 S60x/0.85 PLi objective. WD 0.14 mm *
- IS.7200 S100x/1.25 PLi objective. WD 0.13 mm *

about Malaria and TB

INTRODUCTION

Malaria and tuberculosis (TB) remain among the leading infectious diseases, causing morbidity and mortality worldwide. About one-quarter of the world's population is infected with TB

- Malaria has a complex life cycle. The protozoan Plasmodium parasites are transmitted to humans through bites of infected female Anopheles mosquitoes. The injected sporozoites move to the liver
- In contrast, human TB is an airborne disease, caused by Mycobacterium TB. It spreads through respiratory droplets

MICROSCOPY IN TB SCREENING

LED Fluorescence

The use of LED fluorescence microscopy for TB diagnosis is well-established and recommended by the World Health Organization (WHO). The method involves staining sputum smears with fluorescent, which binds specifically to Mycobacterium tuberculosis. When viewed under a LED fluorescence microscope, the bacilli emit a bright yellow-green glow against a dark background, making detection faster and more efficient

Advantages include:

- Increased sensitivity compared to ZN* brightfield microscopy
- Faster slide scanning, for high-throughput screening
- Rapid, reliable diagnosis especially for low-resource settings
- Durable, energy-efficient and long-lasting LED light sources

*Ziehl-Neelsen (ZN) brightfield microscopy

The ZN staining technique has been the cornerstone of TB diagnosis for over a century. ZN-stained Acid-Fast Bacilli (AFB) are typically easier to identify than those visualized with fluorescence microscopy. It is a cost-effective and accessible method for detecting Mycobacterium TB in sputum samples. A single AFB observed in a properly prepared smear is sufficient to confirm a positive diagnosis

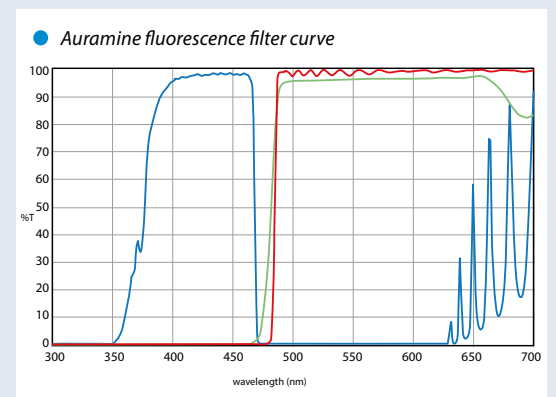
MICROSCOPY FOR MALARIA DIAGNOSIS

Brightfield microscopy remains the gold standard for malaria diagnosis, offering precise detection and identification of all



five major malaria parasites: **Plasmodium falciparum**, **P. vivax**, **P. malariae**, **P. ovale** and **P. knowlesi**. This method enables visualization of different parasite stages - including gametocytes - and supports accurate quantification of parasite density, which is essential for monitoring treatment response and assessing therapeutic efficacy

Giemsa stain is the recommended reagent for malaria microscopy and accurate diagnosis relies on the examination of both thick and thin blood films from the same patient. Light microscopy is particularly valuable in investigating suspected treatment failures, providing detailed insights not available through rapid diagnostic tests alone. High-quality optical performance and consistent illumination are critical for reliable parasite detection. Our microscopes are designed to meet these demanding diagnostic requirements, supporting laboratories in both routine screening and advanced case analysis



IS.7240-NC S40x/0.65 PLi objective. WD 0.55 mm

IS.7200-NC S100x/1.25 PLi objective. WD 0.14 mm

WD = working distance

*0.17 mm cover glass correction

** Best to be used together with swing-out condenser IS.9105

CONDENSERS

IS.9102 Standard Abbe condenser 1.25 NA with slot for darkfield and phase contrast slider

IS.9105 Swing-out 0.9/1.25 N.A. condenser

MISCELLANEOUS

IS.9870 Mirror attachment

IS.9871 Battery pack for autonomous use (only with new microscope)

IS.9872 Solar battery pack for autonomous use (only with new microscope). flight restrictions might apply, UN3481

IS.9873 Surge protector EU type

IS.9873-UK Surge protector UK type

IS.4300 Aluminum case (not suitable for fluorescence models)

IS.4300-W Wooden case (on special request)

PB.5275 Cleaning kit, brush, cloth, cleaning fluid etc.

PB.5276 Microscope maintenance and servicing kit, 16 pieces: cleaning brush, screwdriver set of 6, air blower, 3 Allen keys, 1.5, 2, 2.5 mm, lens cleaning fluid 20 ml, cleaning cloth 140 x 140 mm, 100 lens tissue sheets, tube of maintenance grease, 10 ml bottle of oil, packed in a nice toolbox

DISPOSABLES

PB.5155 Microscope slides 76 x 26 mm, ground edges, 50 pieces per pack

PB.5157-W Microscope slides 76 x 26 mm, ground edges. White frosted side, 50 pieces per pack

PB.5157-B Microscope slides 76 x 26 mm, ground edges and frosted side blue color, 50 pieces per pack

PB.5160 Microscope slides 76 x 26 mm with cavity, ground edges. 10 pieces per pack

PB.5165 Cover glasses 18 x 18 mm, 0.13-0.17 mm, 100 pieces

PB.5168 Cover glasses 22 x 22 mm, 0.13-0.17 mm, 100 pieces

PB.5245 Lens cleaning paper, 100 sheets per pack

PB.5255 Immersion oil, 25 ml. Refraction index n = 1.515

PB.5274 Iso propyl alcohol 99%, 200 ml



● IS.4300



● PB.5276

MODELS	Bino	Trino	Diopter adjustable on both sides	Plan PLi 4x/10x/ S40x and S100x objectives	NeoLED™ transmitted light source	Fluorescence LED light source)	TB fluorescence	ZN brightfield	Malaria brightfield	Battery pack (solar)
IS.1152 PLi/TM	•		•	•	•			•	•	○
IS.3152 PLi/TB	•		•	•	•	•	•	•	•	○
IS.1153 PLi/TM		•	•	•	•			•	•	○
IS.3153 PLi/TB		•	•	•	•	•	•	•	•	○

Achios-X
observerNeoLED™
euromex optical technology

Achios-X Observer

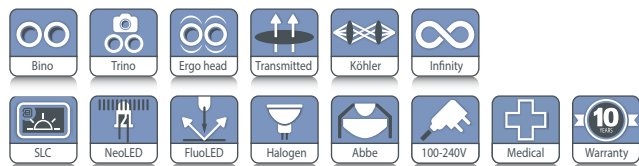
fluorescence

State-of-the-art microscopes for routine Life Science applications

Experience optimal comfort and cutting-edge performance with the Achios-X Observer fluorescence, an ergonomic masterpiece featuring a 60 mm parfocal enhanced infinity optical system (EIS) for routine fluorescence applications



product information



● AX.3153-PLi

AX.3153-PLI

513 (h) x 255 (w) x 487 mm (d) | 15.6 kg

AX.3158-PLI

586 (h) x 255 (w) x 487 mm (d) | 17.5 kg

HIGHLIGHTS

- Extra Wide field WF 10x/22 mm, Ø 30 mm
- LED fluorescence
- Smart Light Control (SLC)
- Revolving quintuple or sextuple reversed nosepiece
- Infinity corrected 60 mm achromatic Plan or Plan Semi-Apochromatic EIS objectives
- Low positioned stage adjustment knobs
- Adjustable color temperature with transmitted 3 W NeoLED™

SPECIFICATIONS

EYEPIECES

EWF 10x/22 mm eyepieces, with diopter adjustment

HEADS

- Standard Siedentopf binocular or trinocular with 30° inclined tubes. A 0.5x c-mount adapter is included (a 1x is optional)
- Siedentopf trinocular (100:0/0:100 switch) with 30° inclined tubes
- Ergonomic tilting head (0° - 35°). A 23.2 mm phototube is included. Several c-mount adapters are available

OBJECTIVES - EIS 60 MM PARFOCAL

- Infinity corrected achromatic Plan EIS objectives*
- Infinity corrected achromatic Plan Semi-Apochromatic EIS objectives*

*M25 mounting thread

STAGE

The Achios-X Observer comes complete with a generously sized, hard coated, rackless mechanical X-Y stage, meticulously designed for enhanced safety

- Free from any sharp edges protruding from the microscope's sides, this stage ensures a secure and worry-free experience
- Suitable for two slides and allows single handed placement of slides



- The 4-positions rotating mechanism

- Measurements: stage, 230 x 150 mm and mechanical X-Y stage, 78 x 54 mm

CONDENSERS

Depending on the configuration, the Achios-X Observer fluorescence is supplied with a

- Standard Abbe condenser
- Swing-out Abbe condenser

NOSEPIECE

Experience the ease of an intuitive quintuple or an optional sextuple nosepiece on ball-bearings, equipped with gripped ring for effortless and precise rotation

LIGHT AND COLOR TEMPERATURE CONTROL

The Achios-X Observer introduces Smart Light Control. This intelligent function memorizes the last used light intensity level for each objective. The color temperature of the NeoLED™ light source can be adjusted and stored. This innovation not only heightens comfort but also saves valuable time during routine magnification shifts. The eco-friendly NeoLED™ light source is both environmentally conscious and built to endure

ILLUMINATION

The Köhler illumination of the Achios-X Observer provides the most uniformly illuminated and bright field of view

ILLUMINATION FOR FLUORESCENCE

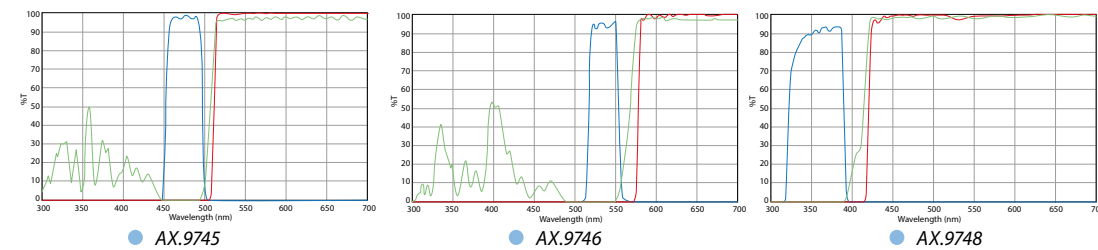
The fluorescence attachment of the Achios-X Observer is equipped with a 4-positions rotating mechanism that can be used to select between any of the 3 filter sets and brightfield (transmitted light). It is supplied with 3 dedicated LED sources to match the included fluorescence filter sets

Supplied with UV shield and standard fluorescence filter sets:

AX.9745 Blue excitation @ 485 nm with long pass filter set (EX 460-495 DM 505 EM 510 LP)

AX.9746 Green excitation @ 525 nm with long pass filter set (EX 510-550 DM 570 EM 575 LP)

AX.9748 UV excitation @ 365 nm with long pass filter set (EX 330-385 DM 410 EM 420 LP)



Power is supplied by the microscope no external power supply is required. Other more specific band pass optimized fluorescence filter sets are also available

OPTIONAL FLUORESCENCE FILTER SETS*

AX.9750.FITC FITC band pass filter set with LED

AX.9750.TRITC TRITC band pass filter set with LED

AX.9750.DAPI DAPI band pass filter set with LED

*See datasheet or website for graphs

MODELS	Bino	Trino	Ergo head	eyepieces EW 10x/22 mm	Plan IOS objectives 4/10/40/100x (oil)	Plan Semi-Apo IOS Fluarex objectives 4/10/40/100x (oil)	LED Fluorescence Blue, Green, UV
AX.3152-PLi	•			•	•		• ¹
AX.3153-PLi		•		•	•		• ¹
AX.3158-PLi			•	•	•		• ¹
AX.3152-APLi	•			•		•	•
AX.3153-APLi		•		•		•	•
AX.3158-APLi			•	•		•	•

Sextuple nosepiece is also available

Some models are also available as in vitro diagnostic medical devices class A - (EU) 2017/746. Contact your Euromex dealer

¹ Not suitable for UV LED because of incompatibility with PLi objectives (Objective will be damaged due to long term UV absorption)

ACCESSORIES

EYEPIECES

Ø 30 mm tube

AX.6010 EWF 10x/22 mm eyepiece for Achios-X observer. With diopter adjustment

AX.5700-ADD Ergonomical Siedentopf trinocular head with tilting tubes and with 23.2 mm photo tube. ADD-ON option. Only with new microscopes

OBJECTIVES

Plan infinity corrected PLi, EIS 60 mm parfocal*

AX.7202 2x/0.06 PLi objective. WD 7.5 mm

AX.7204 4x/0.10 PLi objective. WD 30 mm

AX.7210 10x/0.25 PLi objective. WD 10.2 mm

AX.7220 20x/0.40 PLi objective. WD 10.2 mm

AX.7240 S40x/0.65 PLi objective. WD 1.5 mm

AX.7260 S60x/0.80 PLi objective**. WD 1.5 mm

AX.7200 S100x/1.25 PLi oil objective. WD 0.3 mm

CONDENSERS

AX.9100 Standard Abbe Condenser

AX.9105 Swing-out Abbe Condenser

CAMERA

AX.9850 C-mount adapter 0,5x for standard head

AX.9810 C-mount adapter 1x for standard head

DX.9810 C-mount with 1x magnification for C-mount camera (only for ergo head)

DX.9835 C-mount with high resolution relay 0.35x objective for 1/3 inch C-mount camera (only for ergo head)

DX.9850 C-mount with high resolution relay 0.50x objective for 1/2 inch C-mount camera (only for ergo head)

DX.9863 C-mount with high resolution relay 0.63x objective for 2/3 inch C-mount camera (only for ergo head)

MISCELLANEOUS

AX.9896 Nosepiece with six objectives ADD-ON option for Achios-X Observer. Only available with the purchase of a new microscope

DX.9501-R Mechanical stage with Gorilla glass, right handed ADD-ON option. Only available with the purchase of a new microscope

AX.9660 Simple polarization kit

Plan Semi-Apochromatic infinity corrected PL-SAFi Fluarex, EIS 60 mm parfocal*

AX.7304 4x/0.15 PL-SAFi objective. WD 0.17 mm

AX.7310 10x/0.3 PL-SAFi objective. WD 15.8 mm

AX.7320 20x/0.5 PL-SAFi objective. WD 2.7 mm

AX.7340 S40x/0.75 PL-SAFi objective. WD 1.35

AX.7300 S100x/1.25 PL-SAFi oil objective. WD 0.18 mm

WD = working distance

*25 mm mounting thread

HEADS

AX.5302 Siedentopf binocular head*

AX.5313 Siedentopf trinocular head 100:0/0:100*

*with 30 degrees inclined tubes

CSS – CABLE STORAGE SYSTEM

Allows users to easily stow away excess cable length into the back of the instrument during operation and to roll up the power cable for easy storage

CARRYING GRIP

The integrated carrying grip at the back of the microscope ensures safe transportation of the microscope

PACKAGING

Supplied with power cord, dust cover, screwdriver, user manual and 5 ml immersion oil for models supplied with a 100x objective

NEOLED™

The innovative NeoLED™ design is a combination of a custom LED and a specially designed thin lens with a short focal length in order to obtain four main benefits:

- More oblique light from the NeoLED™ can be captured, which increases the light output significantly
- Less energy is required to achieve this level of light intensity
- The larger aperture of NeoLED™ allows the optical system of the microscope to produce images at higher resolutions, very close to the theoretical diffraction limit of the optics
- Super long life span, up to 50.000 hrs nominal, L70 norm

LIFE SCIENCE MICROSCOPES

Delphi-X
observer

NeoLED™
euromex optical technology



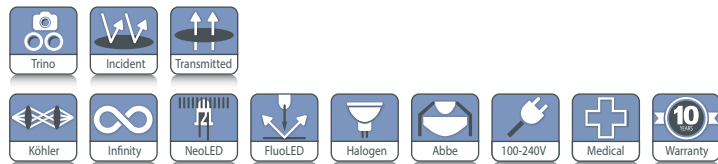
● DX.3153-PLi

Delphi-X Observer fluorescence

State-of-the-art microscopes for advanced life science fluorescence applications. The outstanding optical performance of the Delphi-X Observer makes it ideal for life science fluorescence applications, where a high performance optical system is required. The larger 22 mm fields of view of the super wide field eyepieces and the high numerical aperture of the plan Fluarex 60 mm parfocal EIS objectives enable perfect observations and color rendering at high resolving power



product information



DX.3153-PLi
454 (h) x 260 (w) x 367 mm (d) | 26 kg
DX.3153-PLi/HAL
454 (h) x 260 (w) x 480 mm (d) | 26.5 kg

HIGHLIGHTS

- Trinocular model
- Ergonomic tilting heads
- Super wide field SWF 10x/22 mm, Ø 30 mm tubes
- Sextuple reversed nosepiece
- Enhanced infinity corrected EIS optical system
- 60 mm parfocal plan EIS objectives
- 60 mm parfocal plan semi-apochromatic EIS objectives
- M25 objective thread mounting
- 100 W HBO or LED fluorescence illumination
- 3 W NeoLED™ or 100 W halogen diascope illumination

SPECIFICATIONS

EYEPIECES

Extended wide field EWF 10x/22 mm, Ø 30 mm tubes

STANDARD HEAD

Siedentopf trinocular head with 30° inclined tubes.
Interpupillary distance adjustable between 47 and 78 mm.
Three position beam splitter (0:100/ 80:20 / 100:0).
Diopter ± 5 adjustments on both eyepieces

ERGONOMIC TILTING HEAD

Optional ergonomic 0 to 35° tilting trinocular head supplied with SWF 10x/25 mm eyepieces, interpupillary distance 47-78 mm and photo tube, standard with Ø 23.2 mm tube.
Also available: a Siedentopf ergonomic binocular tilting head. Only with purchase of a new microscope

NOSEPIECE

Revolving sextuple reversed nosepiece on ball-bearings with 25 mm mounting threads for objectives

MOTORIZED MODEL

The Delphi-X Observer can be supplied with a motorized revolving sextuple reversed nosepiece together with a flip-down condenser. A precise step-motor allows the user to switch from objective by a simple push of a button. Another button allows quick switching between two preselected objectives. The electronics memorize automatically the light



● Ergonomic tilting head

intensity levels for each objective after switching. The electronics also automatically flip-out the front lens of the flip-down condenser when the 4x objective is used

ENHANCED INFINITY SYSTEM (EIS)

The enhanced infinity system (EIS) of the Delphi-X Observer consists of super wide field SFWF 10x22 mm eyepieces, high numerical aperture 60 mm parfocal objectives and a 200 mm focal length tube lens. This tube lens reduces the angle of the light rays passing through the optics and as a direct result it significantly improves the chromatic aberration corrections and contrast of the images produced. The objectives with larger diameter enable much higher numerical apertures, improving the overall resolving power of the optical system

PLAN ACHROMATIC EIS OBJECTIVES

(clinical routine applications)

The Delphi-X Observer is supplied with plan achromatic 4x/0.10, 10x/0.25, 20x/0.40, S40x/0.65 and S100x/1.25 (oil immersion) infinity corrected EIS objectives

Available as an option:

2x/0.06, S50x/0.95 (oil immersion) and S60x/0.80

OBJECTIVES

Plan PLi	2x/0.06*	4x/0.10	10x/0.25	20x/0.40	S40x/0.65	S50x/0.95 oil*	S60x/0.80*	S100x/1.25 oil	S100x/1.25 oil iris*
Plan semi-apo Fluarex		4x/0.13	10x/0.30	20x/0.50	S40x/0.75			S100x/1.30 oil	

All objectives are 60 mm parfocal and have a M25 mounting thread, all optics are anti-fungus treated and anti-reflection coated for maximum light throughput and all S40x, S50x, S60x and S100x oil objectives are spring loaded
*Optional

PLAN SEMI-APPOCHROMATIC FLUAREX OBJECTIVES

(Anatomo- and histopathology applications)

The Delphi-X Observer can also be supplied with plan semi-apochromatic 4x/0.13, 10x/0.30, 20x/0.50, S40x/0.75 and S100x/1.30 (oil immersion) infinity corrected EIS objectives

STAGE

190 x 152 mm stage with 80 x 54 mm integrated right-handed mechanical X-Y stage. Supplied with scratch-resistant Gorilla glass. Sapphire scratch-resistant glass is available on request. Left-handed mechanical X-Y stage is available on request

FOCUSING

Coaxial coarse and fine adjustment, 100 graduations, 1 µm precision, 100 µm per rotation, total travel range is approximately 35 mm. Supplied with an adjustable rack stop to prevent damage to sample and objectives. The coarse adjustments are equipped with friction control. The focusing knobs can be switched from left to right according to the user's preference

CONDENSER FOR BRIGHTFIELD

In height adjustable N.A. 0.90/1.25 Abbe swing-out condenser with numerical aperture identification marks

100W HBO ILLUMINATION FOR FLUORESCENCE

The Delphi-X Observer can be configured with a rotating carousel which can contain up to six filter cubes and supplied with a 100 W HBO mercury vapor light source for a broad powerful light spectrum

LED ILLUMINATION FOR FLUORESCENCE

The Delphi-X Observer can also be configured with two different LED systems for fluorescence:

- LE.6400 LED source with 365, 470, 525 and 630 nm LED's with the standard 6-positions attachment and the 2 standard filter sets AE.9746 (Green) and AE.9745 (Blue excitation)
- Integrated 4-positions LED attachment (DX.9200-LED) Supplied with three 365, 485 and 525 nm LED's and three 3 standard filter sets AE.9748 (UV), AE.9746 (Green) and AE.9745 (Blue excitation)

DIASCOPIC ILLUMINATIONS

Two Köhler illuminations are available for the Delphi-X Observer microscope:

- Diascopic intensity adjustable 3 W NeoLED™ Köhler illumination with internal 100-240 V power supply
- Diascopic intensity adjustable 100 W halogen Köhler illumination with internal 100-240 V power supply

The diascopic halogen illumination comes with two push-in/push-out neutral density filters for smooth attenuation of the light intensity for all kind of samples and with one Light Balancing Daylight filter (LBD). The diascopic NeoLED™ illumination comes with a frosted diffuse filter

LIGHT INTENSITY MEMORY FUNCTION

The electronics memorize automatically the light intensity levels for each objective after switching. The electronics also automatically flip out the front lens of the flip-down condenser when the 4x objective is used. Optionally available, only for a new Delphi-X Observer

NEOLED™

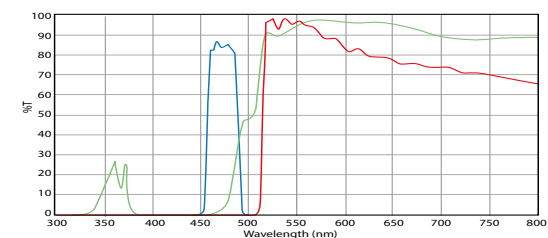


The innovative NeoLED™ design is a combination of a custom LED and a specially designed thin lens with a short focal length to obtain three main benefits: oblique light, less energy and larger aperture

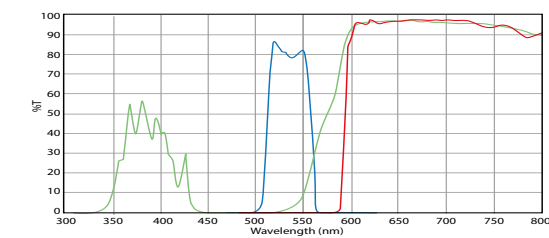
STANDARD GENERAL PURPOSE FLUORESCENCE FILTER SETS

Supplied with standard fluorescence filter sets for blue excitation (EX460-495 DM505 EM510LP) and green excitation (EX510-550 DM570 EM750LP), UV shield and external power supply. Optional: fluorescence filter sets for UV excitation (EX330-385 DM400 EM420LP) and violet excitation (EX400-410 DM455 EM460LP). On special request, the microscope can also be supplied with optimized and zero-pixel shift optimized filter sets on request. See end of this chapter

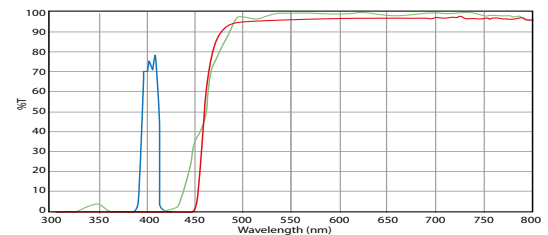
BLUE EXCITATION (DX.9745)



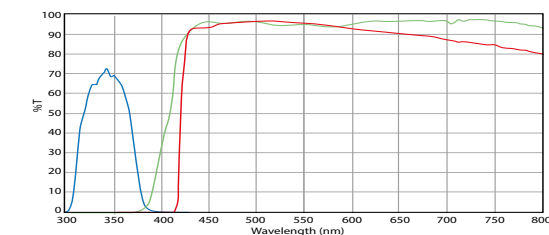
GREEN EXCITATION (DX.9746)



VIOLET EXCITATION (DX.9747)



ULTRA-VIOLET EXCITATION (DX.9748)



Other with more specific and optimized and application related fluorescence filter sets are also available

ICARE SENSOR

The unique iCare Sensor is developed to avoid unnecessary loss of energy. The illumination of the microscope automatically switches off shortly after microscopists step away from their position

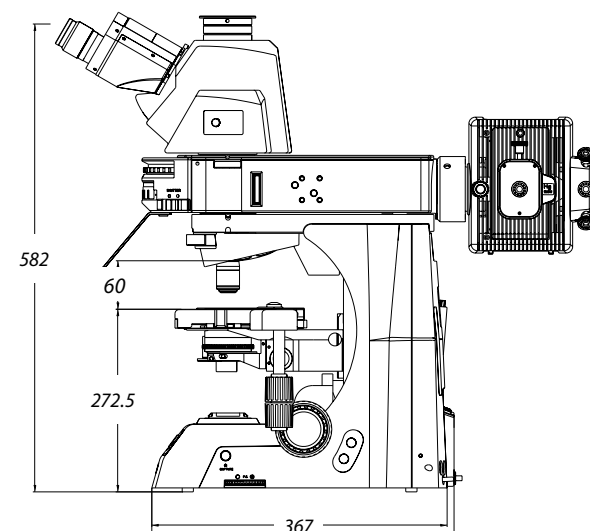
CARRYING GRIP

The carrying grip at the back of the microscope ensures safe transportation of the microscope and the integrated tool & holder makes sure the right tool is always available

PACKAGE CONTENT

Supplied with power cord, dust cover, a spare fuse, user manual and 5 ml immersion oil. All packed in a polystyrene box

DIMENSIONS



DELPHI-X OBSERVER FOR FLUORESCENCE WITH TRINOCULAR HEAD

MODELS	SWF 10x/22 mm eyepieces	Plan 4/10/20/ S40/S100x oil EIS objectives	Plan semi-apo Fluarex 4/10/20/S40/S100x oil EIS objectives	3 W NeoLED™ illumination	100 W Halogen illumination	LED fluorescence illumination*
DX.3153-PLi	•	•		•		o
DX.3153-APLi	•		•	•		o
DX.3153-PLi/HAL	•	•			•	o
DX.3153-APLi/HAL	•		•		•	o

o = optional

DELPHI-X OBSERVER COMBINED WITH

LE.6400, 4-LED fluorescence light source

- As standard 6-Positions attachment
- With 365, 470, 525 and 630 nm LED's
- Supplied with two standard filter sets
AE.9746 (Green) and AE.9745 (Blue excitation)
- Optional AE.9748 (UV) and AE.9747 (Violet) standard filter sets

To order, add LE.6400-ADD

to the DX.3153 newly purchased microscope

UV and Violet excitation requires Fluarex objectives (DX.3153-APLi or DX.3153-APLi /HAL models)

DX.9200-LED, 3-LED fluorescence light source

- Integrated 4-positions LED attachment
- Supplied with three 365, 485 and 525 nm LED's and three standard filter sets AE.9748 (UV), AE.9746 (Green) and AE.9745 (Blue excitation)

UV and Violet excitation requires Fluarex objectives

(DX.3153-APLi or DX.3153-APLi /HAL models)

FOR ORDERING MOTORIZED MODELS

Substitute the third digit 5" of the model reference with the digit 7". Example: DX.3173-PLi = DX.3153-PLi model but with motorized nosepiece, flip-down condenser and automatic light control



• LED fluorescence LE.6400



• DX.9200-LED

FOR ORDERING LIGHT INTENSITY MEMORY FUNCTION ONLY

Substitute the third digit 5" of the model reference with the digit 8". Example: DX.3183-PLi = DX.3153-PLi model but with automatic light control

ACCESSORIES AND SPARE PARTS

EYEPIECES

Ø 30 mm tube

DX.6210 Super wide field SWF 10x/22 mm eyepiece

DX.6210-CM Super wide field SWF 10x/22 mm eyepiece |with micrometer and crosshairs

DX.6210-SG Super wide field SWF 10x/22 mm eyepiece |with 20 x 20 square grid reticle

DX.6012 Wide field WF 12.5x/17.5 mm eyepiece

DX.6015 Wide field WF 15x/16 mm eyepiece

DX.6020 Wide field WF 20x/12 mm eyepiece

DX.6099-L Eyecup for eyepieces

OBJECTIVES

Plan infinity corrected PLi, EIS 60 mm parfocal

DX.7201 1x/0.04 PLi objective. WD 3.2 mm

DX.7202 2x/0.06 PLi objective. WD 7.5 mm

DX.7204 4x/0.10 PLi objective. WD 30 mm

DX.7210 10x/0.25 PLi objective. WD 10.2 mm

DX.7220 20x/0.40 PLi objective. WD 12 mm

DX.7240 S40x/0.65 PLi objective. WD 0.7 mm

DX.7260 S60x/0.80 PLi objectives. WD 0.3 mm

DX.7200 S100x/1.25 PLi oil objective. WD 0.2 mm

DX.7200-I S100x/1.25 PLi oil objective with built-in iris diaphragm. WD 0.2 mm

Plan Semi-Apochromatic Fluarex infinity corrected, PL-SAFi EIS 60 mm parfocal

DX.7304 4x/0.13 PL-SAFi objective. WD 16.5 mm

DX.7310 10x/0.30 PL-SAFi objective. WD 8.1 mm

DX.7320 20x/0.50 PL-SAFi objective. WD 2.1 mm

DX.7340 S40x/0.75 PL-SAFi objective. WD 0.7 mm

DX.7300 S100x/1.30 PL-SAFi oil objective. WD 0.15 mm

WD = working distance

CAMERA ACCESSORIES

DX.9810 C-mount with 1 magnification for C-mount camera

DX.9835 C-mount with high resolution relay 0.35x objective for 1/3 inch C-mount camera

DX.9850 C-mount with high resolution relay 0.50x objective for 1/2 inch C-mount camera

DX.9863 C-mount with high resolution relay 0.63x objective for 2/3 inch C-mount camera

AE.5130 Universal SLR adapter with built-in 2x lens for standard 23.2 mm tube. Needs T2 adapter

AE.5025 T2 adapter for Nikon D SLR digital camera

AE.5040 T2 adapter for Canon EOS SLR digital camera

MISCELLANEOUS

DX.9200-LED

LED fluorescence attachment with Blue 460-495 nm excitation LED and EX 460-495 DM 505 EM 510 LP filter set, Green 510-550 nm LED excitation and EX 510-550 DM 570 EM 575 LP filter set

DX.9105 Abbe condenser with 0.9/1.25 swing-out front lens

DX.9501-R Stage with Gorilla glass. Right handed

DX.9501-L Stage with Gorilla glass. Left handed

DX.9504-R Stage with Sapphire glass. Right handed

DX.9504-L Stage with Sapphire glass. Left handed

DX.9501-LG Option* for left handed stage with Gorilla glass

DX.9504-RS Option* for right handed stage with Sapphire glass

DX.9504-LS Option* for left handed stage with Sapphire glass

SL.1385 100 W HBO mercury vapor lamp for fluorescence

DX.9660 Simple polarization kit

DX.9662 Special polarization kit for gout

DX.9704 Yellow filter for lamphouse, diameter 45 mm

DX.9960 100 W 24 V halogen bulb (revision 1 models)

DX.9961 100 W 12 V halogen bulb (revision-2 models)

DX.9993 3 Watt LED replacement

AE.5214 500 mA 250 V fuses for LED models, 10 pieces

AE.5216 5 A 250 V fuses for halogen models, 10 pieces

DX.5701 Siedentopf ergonomic tilting binocular head

* Option mounted only on new Delphi-X Observer microscopes (resp. DX.xx5x-xxx/RS and DX.xx5x-xxx/LS)

Achios-X
inverso

NeoLED™
euromex optical technology

LIFE SCIENCE MICROSCOPES

Achios-X Inverso fluorescence

Experience optimal comfort and cutting-edge performance with the Achios-X Inverso, an ergonomic masterpiece featuring a state-of-the-art optical system

Tailored to meet the demands of advanced Life Science applications such as life cell imaging and tissue cultures. This microscope stands as an unparalleled choice



product information



AI.3053-PLFi	526 (h) x 244 (w) x 560 mm (d) 15.5kg
AI.4058-PLFi	504 (h) x 244 (w) x 558 mm (d) 17.5 kg

● AI.4058-PLFi

HIGHLIGHTS

- Extra Wide field WF 10x/22 mm, Ø 30 mm
- Head with 45° inclined tubes
- Head with ergo tilting 5° - 35° tubes and backwards tilting illumination column
- Revolving quintuple nosepiece
- IOS 60 mm Plan, Plan Phase or Plan Semi-Apochromatic objectives
- Hoffman contrast and 3D relief contrast
- Low positioned stage adjustment knobs
- 3 W NeoLED™
- LCD screen for Smart Light Control
- Blue, green and UV LED fluorescence
- 10 Years warranty

SPECIFICATIONS

EYEPIECES

SWF 10x/22 mm wide field eyepieces with adjustable diopter

HEAD

Binocular head with 45° inclined tubes OR binocular ergo head with 5-35° tilting tubes. Interpupillary distance of 48 to 75 mm. Optional side photo port with 100-0/0-100 beamsplitter

NOSEPIECE

Revolving quintuple nosepiece on ball-bearings

OBJECTIVES - 60 MM PARFOCAL

Objectives with 1.2mm coverslip correction

Plan Semi Apo Fluarex IOS	4x/0.13	10x/0.30	20x/0.45	S40x/0.60
---------------------------	---------	----------	----------	-----------

Objectives with adjustable coverslip correction

Plan Semi Apo Fluarex IOS	20x/0.45	S40x/0.60	S60x/0.70
---------------------------	----------	-----------	-----------

Fluarex objectives are made of low-absorption glass Fluarex is a trademark of Euromex microscopen bv. All optics are anti-fungus treated and anti-reflection coated for maximum light throughput



STAGE

- 170 x 250 mm stage with 129 x 83 mm mechanical X-Y stage
- Supplied with metal insert for Ø 65 glass plate and universal cell culture dish holder (AI.9569)
- Optional metal inserts, Ø 35, Ø 54 and Ø 90 mm cell culture dish holder with 27x26 mm slide holder
- Optional metal insert for MultiWell plates (127.76 x 85.48 mm) (AI.9517)

CONDENSER

- WD (Working distance): 75 mm, without condenser: 187 mm
- The condenser can be removed to increase WD, allowing multilayered culture flasks
- With slot for phase contrast/embossed contrast/Hoffman contrast sliders

For AI.3xxx models

- Condenser N.A. 0.30 with iris diaphragm and slot for sliders

For AI.4xxx models

- Height adjustable Kohler condenser N.A. 0.30 with iris diaphragm and 3 filter holders and shutter function
- Mounted on a backwards tilting illumination column allowing easy access to samples and placement multilayered culture flasks, without removing the condenser

FOCUS ADJUSTMENT

- Coaxial 37.5 mm coarse and fine adjustments with 200 graduations
- Precision 1 µm, 0.2 mm per rotation
- Fine focus knobs are left/right interchangeable

ILLUMINATION

LED Epi-fluorescence attachment with 365, 485 and 525 nm LED

Supplied with filters cubes:

UV excitation EX: 360-390 nm - BS: 415 nm - EM: 435-485 nm for DAPI

Blue excitation EX: 460-495 nm - BS: 505 nm - EM: 510-550 nm for FITC

Green excitation EX: 528-553 nm - BS: 565 nm - EM: 578-633 nm for TRITC

SMART LIGHT CONTROL

This intelligent function:

- memorizes the light intensity level for each objective
- heightens comfort
- saves valuable time during routine magnification shifts

NEOLED™

The innovative NeoLED™ design is a combination of a custom LED and a specially designed thin lens with a short focal length. Four main benefits:

- More oblique light from the NeoLED™ light source, which increases the light output significantly
- Less energy is required to achieve this level of light intensity
- The larger aperture of NeoLED™ allows the optical system of the microscope to produce images at higher resolutions, very close to the theoretical diffraction limit of the optics
- Super long life span, up to 50.000 hrs nominal, L70 norm

PACKAGE CONTENT

- Supplied with Ø 65 glass plate and universal cell culture dish holder, power cord, dust cover and user manual
- Fluorescence models are supplied with an anti-reflection shield to be mounted on the condenser and an orange protection shield

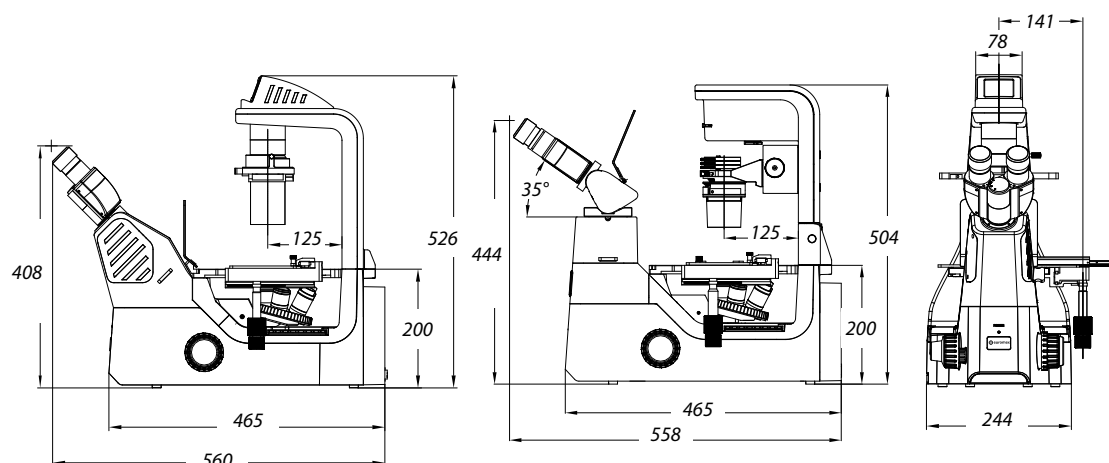


● AI.3053-PLFi

● AI.4058-PLFi

MODELS	ergo head	Backwards tilting arm	Plan Semi-Apo Fluarex objectives 4/10/20/40 IOS	Height-adjustable condenser	Epi-fluorescence equipment for B, G and UV excitation	Köhler illumination
AI.3053-PLFi	•		•		•	
AI.4058-PLFi		•	•	•	•	•

DIMENSIONS



ACCESSORIES AND SPARE PARTS

EYEPIECES

Ø 30 mm tube

- AI.6015** WF 15x/16 mm eyepiece
- AI.6020** WF 20x/12 mm eyepiece
- AI.6099** Pair of eyeshades

Plan Semi Apo Fluarex PL-SAFi, EIS 60 mm parfocal

- AI.8604** 4x/0.13 PL-SAFi objective*. LWD 17 mm
- AI.8610** 10x/0.30 PL-SAFi objective*. LWD 7.4 mm
- AI.8620** 20x/0.45 PL-SAFi objective*. LWD 8 mm
- AI.8640** 40x/0.60 PL-SAFi objective*. LWD 3.6 mm

OBJECTIVES

Plan infinity corrected PLi, EIS 60 mm parfocal,

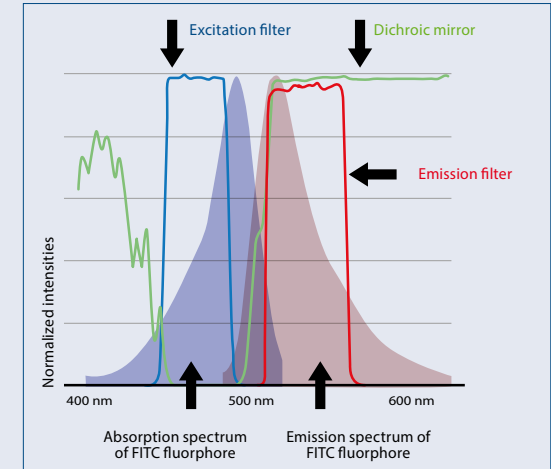
- AI.8304** 4x/0.10 PLi objective*. LWD 30 mm
- AI.8310** 10x/0.25 PLi objective*. LWD 10.2 mm
- AI.8320** 20x/0.40 PLi objective*. LWD 12.0 mm
- AI.8340** 40x/0.60 PLi objective*. LWD 2.2 mm

Plan Semi Apochromatic Fluarex PL-SAFi with iris diaphragm, EIS 60 mm parfocal

- AI.8620-I** 20x/0.45 PL-SAFi objective**. LWD 7.5-8.8 mm
- AI.8640-I** 40x/0.60 PL-SAFi objective**. LWD 3-4.4 mm
- AI.8660-I** 60x/0.70 PL-SAFi objective***. LWD 1.8-2.6 mm

about fluorescence

It took many years - since the discovery by Osamu Shimomura of the first proteins aequorin and green fluorescent protein (GFP) in the bioluminescent jellyfish *Aequorea Victoria* around the sixties - to develop a specific fluorescence microscope for live-cell imaging which permits essential progress in medical and biological sciences. Today it has become an important tool in Life and Materials Sciences

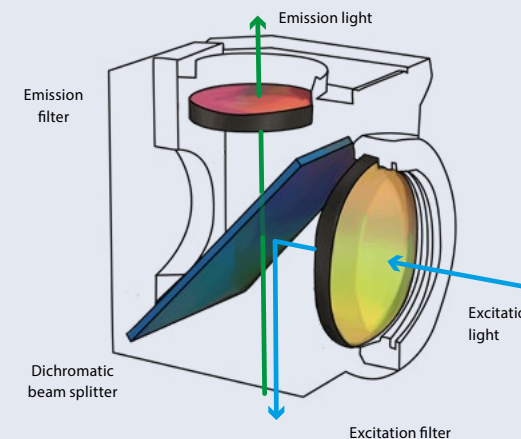


INTRODUCTION TO FLUORESCENCE MICROSCOPY

Fluorescence is the phenomenon of subsequent specific emission of photons by a fluorophore (chemical compound) after the absorption of specific excitation photons. Fluorophores are used as a dye for staining cells, tissues or materials that can be observed as markers under a fluorescence microscope

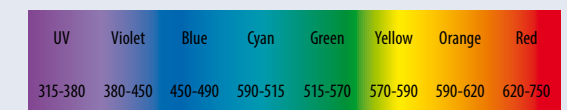
DESIGN OF A FLUORESCENCE MICROSCOPE

The basic function of a fluorescence microscope is to bring specific excitation wavelengths to a stained specimen (with a specific fluorophore) and to catch the subsequent weak emission wavelengths in order to visualize the fluorescent structures on the retina of the eyes or on an imaging camera



The excitation light of a microscope for fluorescence is provided with either a mercury vapor light source or a monochrome LED. The selection of the specific fluorophore excitation light is done by a so-called emission interference filter that is mounted in a cube together with a dichroic mirror (beam splitter) and the emission filter. The filtered excitation light is further reflected by the dichroic mirror through the objectives towards the sample

The fluorophore(s) inside the specimen will absorb this excitation energy with some efficiency (quantum yield) and will start re-emitting the so-called emission energy, visible light with longer wavelengths than the absorbed light. The emission light from the specimen that fluoresces will be collected by the objective, pass the dichroic mirror and is separated from excitation and other unwanted light wavelengths by the emission filter. The filtered emission light is further projected to the eyepieces or/and camera imaging sensor



Plan Semi-Apochromatic Phase Fluorex PLPH-SAFi EIS 60 mm parfocal

- AI.8904** 4x/0.13 PLPH-SAFi objective**. LWD 17.78mm
- AI.8910** 10x/0.3 PLPH-SAFi objective**. LWD 7.4mm
- AI.8920** 20x/0.45 PLPH-SAFi objective**. LWD 8 mm
- AI.8940** 40x/0.6 PLPH-SAFi objective**. LWD 3.6 mm

Plan Semi-Apochromatic Phase Fluorex PLPH-SAFi with iris diaphragm. EIS 60 mm parfocal

- AI.8920-I** 20x/0.45 PLPH-SAFi objective**. LWD 7.5-8.8 mm
- AI.8940-I** 40x/0.6 PLPH-SAFi objective**. LWD 3-4.4mm
- AI.8960-I** 60x/0.7 PLPH-SAFi objective***. LWD 1.8-2.6mm

WD = working distance

*Coverglass correction 1.2 mm

** Coverglass correction 0-2 mm

*** Coverglass correction 0.1-1.3 mm

All objectives M25

CAMERA ACCESSORIES

For AI.1053 and AI.3153 models

- AI.9810-3** C-mount photo adapter 1x
- AI.9850-3** C-mount photo adapter 0.5x

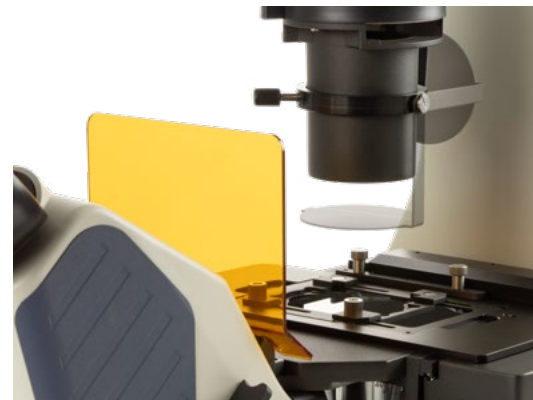
For AI.4058 and AI.4158 models with Ergo head

- AI.9810-4** C-mount photo Adapter 1x
- AI.9870-4** C-mount photo Adapter 0.7x
- AI.9850-4** C-mount photo Adapter 0.5x

MISCELLANEOUS

- AI.9205** UV protection shield
- AI.9206** Anti-reflection shield for standard condensers of models for fluorescence
- AI.9569** Universal cell culture dish holder, Ø 35-65 mm. Also holds MultiWell plates
- AI.9508** Metal insert with hole for culture flasks
- AI.9517** Metal insert for MultiWell plates (127.76 x 85.48 mm)
- AI.9535** Petri dish insert 35 mm with 76 x 26 mm slide holder
- AI.9554** Petri dish insert 54 mm with 76 x 26 mm slide holder
- AI.9590** Petri dish insert 90 mm with 76 x 26 mm slide holder
- AI.9506** Transparent glass insert ø 112 mm, inner hole ø 30 mm
- AI.9550** Stage extension plate

- Anti-reflection shield for standard condensers of models for fluorescence



LIFE SCIENCE MICROSCOPES

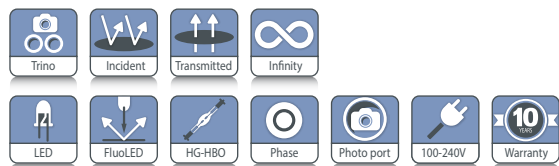
Delphi-X
inverso

4 Delphi-X Inverso fluorescence

The Delphi-X Inverso for fluorescence is an inverted microscope for the professional who needs to observe tissues or cells stained with fluorescence dyes. Super contrast semi-apochromatic Fluarex objectives with collar adjustment ring assure perfect observation of cells or tissues in 1.2 mm thick Petri dishes or flasks



product information



DI.1053-PLPHFi
665 (h) x 276 (w) x 800 mm (d) | 36.0 kg

● DI.3053-PLPHFi

HIGHLIGHTS

- Life science applications
- Observation of fluorescence in tissues and cells
- Brightfield, phase contrast fluorescence observations
- DIC (differential interference contrast)
- Long working distance IOS plan semi-apochromatic Fluarex achromatic objectives
- Revolving sextuple nosepiece
- 5 W LED or 100 W halogen transmitted illumination
- 100 W HBO mercury vapor fluorescence illumination
- Backwards tilting condenser arm
- Easy placement of large objects
- 10 Years warranty

SPECIFICATIONS

EYEPIECES

Pair of HWF plan 10x/25 mm or 10x/22 mm eyepieces with diopter adjustment

HEAD

Trinocular 45° inclined tubes. Interpupillary distance of 47 to 78 mm. Trinocular head with 100-0, 80/20 and 0/100 positions

NOSEPIECE

Revolving sextuple nosepiece on ball-bearings

OBJECTIVES

High numerical infinity semi-apochromatic long working distance plan phase Fluarex PLPHFi 10x/0.30, 20x/0.45, S40x/0.60 IOS objectives enable the sub-cellular structures. An optional 60x/0.80 IOS objective is also available. The 20x, S40x and optional S60 objectives are equipped with collar adjustment ring for glass thicknesses from 0 to 1.2 mm *Fluarex objectives are made of low-absorption glass. Fluarex is a trademark of Euromex microscopen bv. All optics are anti-fungus treated and anti-reflection coated for maximum light throughput*

STAGE

Stage 340 x 230 mm, equipped with a coaxial mechanical 130 x 85 mm X-Y stage. Supplied with:



● Delphi-X Inverso with LED fluorescence illumination (LE.6400)

- Metal insert for O 38 mm cell culture dish
- Metal insert for O 54 mm cell culture dish or 76 x 26 mm slides
- Metal insert for MultiWell plates (127.76 x 85.48 mm)
- Metal insert for Terasaki plates (83.3 x 58.0 mm)
- Optional universal cell culture holder

CONDENSER

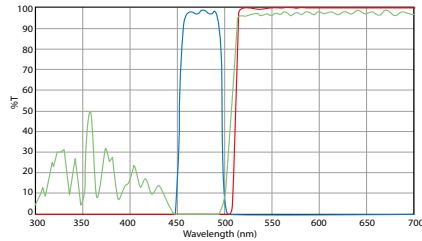
Rotating N.A. 0.55 condenser with iris diaphragm. Working distance 26 mm. Supplied with phase contrast annuli for 10x/20x, 40x and 60x objectives and the DIC prisms for the 10x/20x/40x and 60x objectives. Three filter holders allow the insertion of Ø 38 mm filters in the optical path. The arm with condenser can be tilted backwards for convenient access to the stage. This allows easy placement of large objects like flasks and Petri dishes

MAGNIFICATION CHANGER

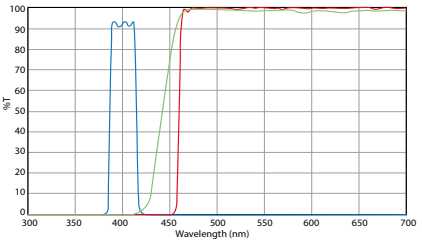
A magnification changer with a 1.5x lens allow intermediary magnifications of 1.5 times the standard objective magnifications. Switching from 20x to 30x or 40 to 60 and from 60x to 90x magnification can be done without the need to re-focus on the sample

FLUORESCENCE ATTACHMENT

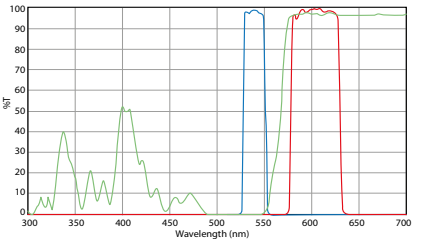
The Delphi-X Inverso for fluorescence microscopy is supplied with a 6-position fluorescence filter set wheel and comes with two fluorescence filter sets for blue and green excitation



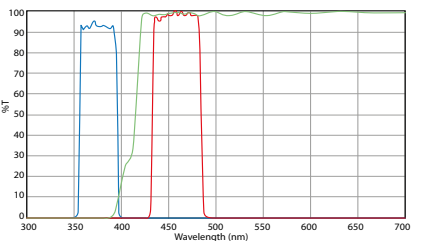
- **DI.9745 Blue excitation**
EX 460-495 DM 505 EM 510 long pass



- **DI.9747 Violet excitation**
EX 400-410 DM 455 EM 460 Long pass

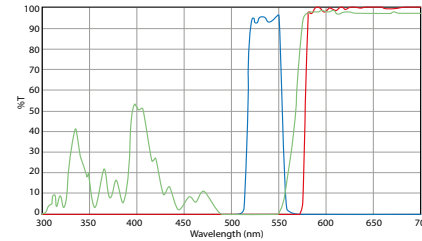


- **DI.9750.TRITC Green excitation**
EX 528-553 DM 565 EM 578-633 band pass

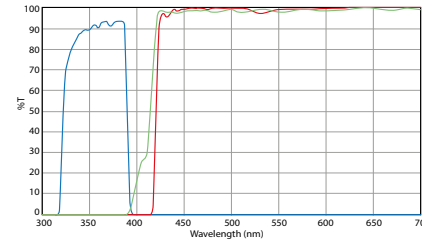


- **DI.9750.DAPI UV excitation**
EX 360-390 DM 415 EM 435-485 band pass

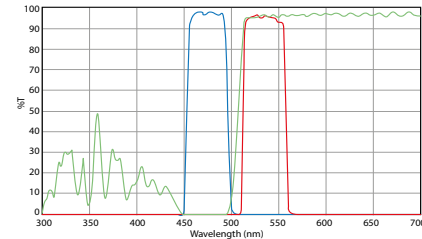
(DI.9745 and DI.9746). On special request, the microscope can also be supplied with optimized and zero-pixel shift optimized filter sets on request. See end of this chapter



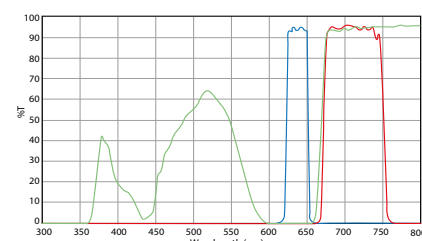
- **DI.9746 Green excitation**
EX 510-550 DM 570 EM 575 long pass



- **DI.9748 Ultra violet excitation**
EX 330-385 DM 410 EM 420 Long pass



- **DI.9750.FITC Blue excitation**
EX 460-495 DM 505 EM 510-550 band pass



- **DI.9750.R Red excitation**
EX 620-650 DM 660 EM 670-750 band pass

FOCUSING ADJUSTMENT

Coaxial 10 mm coarse and fine adjustments, 1 µm precision and with friction adjustment

ILLUMINATION

Fluorescence illumination with a 100 W mercury vapor lamp with external 100-240 V power supply. Transmitted 5 W LED or 100 W halogen illumination and internal power supply. Fuse holder 3.15 A / 250 V

MODELS	10x/20x/40x PLPHFi objectives	100 W Halogen illumination	5 W LED illumination	100 W HBO fluorescence illumination	LED fluorescence illumination*
DI.3053-PLPHFi	•		•	•	o*
DI.3053-PLPHFi/HAL	•	•		•	o*

* Can be supplied optionally. Please order the LE.6400-ADD to replace the HBO illumination for the LE.6400 illuminator. See **LED light sources** in this chapter for more information



- 6-Position fluorescence filter set wheel and 1.5 lens changer

PACKAGE CONTENT

Supplied with metal insert for Ø 38 mm cell culture dish and a metal insert for Ø 54 mm cell culture dish with 76 x 26 mm slides, metal insert for MultiWell plates, metal insert for Terasaki plates, blue and green interference Ø 45 mm filters, power cord, dust cover, green filter and alignment telescope and user manual

ACCESSORIES AND SPARE PARTS

EYEPIECES

Ø 30 mm tube

- DI.6010** Super wide field SWF 10x/25 mm eyepiece
- DI.6010-C** Super wide field SWF 10x/25 mm eyepiece with crosshairs
- DI.6010-M** Super wide field SWF 10x/25 mm eyepiece with micrometer
- DI.6010-CM** Super wide field SWF 10x/25 mm eyepiece with micrometer and crosshairs
- DI.6010-SG** Super wide field SWF 10x/25 mm eyepiece with 20 x 20 square grid reticle
- DI.6012** Wide field WF 12.5x/17.5 mm eyepiece
- DI.6015** Wide field WF 15x/16 mm eyepiece
- DI.6020** Wide field WF 20x/12 mm eyepiece
- DI.6099-L** Eyecups for eyepiece

OBJECTIVES

Plan Semi-Apochromatic Fluarex infinity corrected PL-SAFi, EIS 60 mm parfocal. Recommended for fluorescence

- DI.8604** 4x/0.13 IOS objective, LWD 17 mm
- DI.8610** 10x/0.30 IOS objective*, LWD 7.4 mm. Also recommended for DIC
- DI.8620** 20x/0.45 IOS objective*, LWD 8 mm. Also recommended for DIC
- DI.8640** 40x/0.60 IOS objective*, LWD 3.3 mm. Also recommended for DIC
- DI.8660** 60x/0.70 IOS objective**, with built-in iris diaphragm. LWD 1.9 mm

*Coverglass correction 1.2 mm

**Coverglass correction 0.1 - 1.3 mm

**Plan Phase Semi-Apochromatic Fluorex infinity corrected
PLPH-SAFi, EIS 60 mm parfocal**

- DI.8710** 10x/0.30, PLPH-SAFi objective*. LWD 10.2 mm
- DI.8720** 20x/0.45 PLPH-SAFi objective**. LWD 7.5 to 8.8 mm
- DI.8740** S40x/0.60 PLPH-SAFi objective**. LWD 3 to 4.4 mm

*Coverglass correction 1.2 mm

**Coverglass correction 0-2 mm

LWD = Long working distance

M25 mounting thread

DIFFERENTIAL INTERFERENCE CONTRAST

- DI.9690-00** DIC prism with polarizer for condenser. To be used with Plan Semi-Apo 20/40x objectives
- DI.9690-10** DIC prism with polarizer for condenser. To be used with Plan Semi-Apo 10x objective
- DI.9693-10** DIC prism for nosepiece to be used with Semi-Apo 10x objective
- DI.9693-20** DIC prism for nosepiece to be used with Semi-Apo 20x objective
- DI.9693-40** DIC prism for nosepiece to be used with Semi-Apo 40x objective
- DI.9698** DIC analyzer for nosepiece

**STANDARD GENERAL PURPOSE
FLUORESCENCE FILTER SETS**

Long pass type:

- DI.9745** Fluorescence filter block for blue excitation with excitation at 460 to 495 nm, dichroic mirror at 505 nm and emission long pass filter from 510 nm
- DI.9746** Fluorescence filter block for green excitation with excitation at 510 to 550 nm, dichroic mirror at 570 nm and emission long pass filter from 575 nm
- DI.9747** Fluorescence filter block for violet excitation with excitation at 400 to 410 nm, dichroic mirror at 455 nm and emission long pass filter from 460 nm

- DI.9748** Fluorescence filter block for ultra violet excitation with excitation at 330 to 385 nm, dichroic mirror at 410 nm and emission long pass filter from 420 nm
- DI.9749** Empty cube for Delphi-X Inverso Fluorescence attachment

Band-pass type

DI.9750.TRITC

Fluorescence filter block for blue excitation with excitation at 528 to 553 nm, dichroic mirror at 565 nm and emission band pass filter at 578 to 633 nm. Suitable for TRITC

DI.9750.FITC

Fluorescence filter block for green excitation with excitation at 460 to 495 nm, dichroic mirror at 505 nm and emission band pass filter at 510 to 550 nm. Suitable for FITC

DI.9750.DAPI

Fluorescence filter block for ultraviolet excitation with excitation at 360 to 390 nm, dichroic mirror at 415 nm and emission band pass filter at 435 to 485 nm. Suitable for DAPI

DI.9750.RED

Fluorescence filter block for red excitation with excitation at 620 to 650 nm, dichroic mirror at 660 nm and emission band pass filter at 670 to 750 nm



● Filter cubes with fluorescence filters

CAMERA ACCESSORIES

- DI.9810** C-mount with 1x magnification for C-mount camera
- DI.9840** C-mount with high resolution 0.40x objective for 1/3 inch C-mount camera
- DI.9850** C-mount with high resolution relay 0.50x objective for 1/2 inch C-mount camera

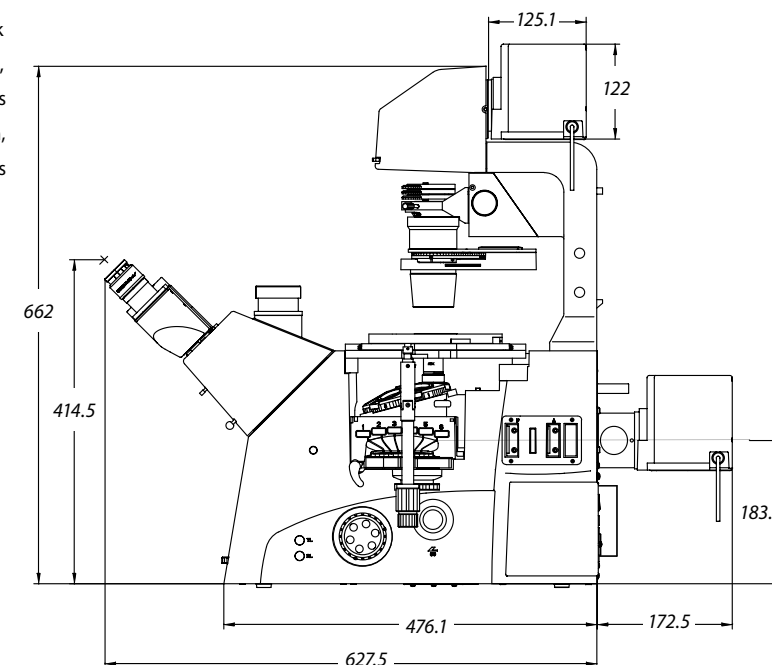
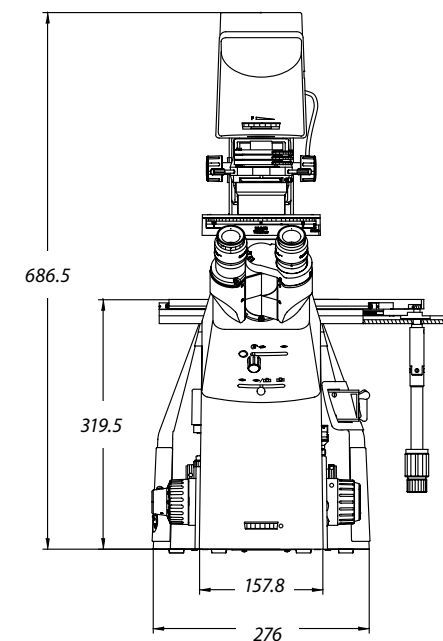
MISCELLANEOUS

- DI.9961** 100 Watt 12 V halogen bulb
- DI.9997** 5 Watt LED replacement
- AE.5214** 500 mA 250 V fuses for LED models, 10 pieces
- AE.5216** 5 A 250 V fuses for halogen models, 10 pieces
- SL.1385** 100 W HBO mercury vapor lamp for fluorescence

DISPOSABLES

- PB.5155** Microscope slides 76 x 26 mm, ground edges, 50 pieces per pack
- PB.5157-W** Microscope slides 76 x 26 mm, ground edges and frosted side white color, 50 pieces per pack
- PB.5157-B** Microscope slides 76 x 26 mm, ground edges and frosted side blue color, 50 pieces per pack
- PB.5165** Coverglasses 18 x 18 mm, 0.13 - 0.17 mm, 100 pieces
- PB.5168** Coverglasses 22 x 22 mm, 0.13 - 0.17 mm, 100 pieces
- PB.5245** Lens cleaning paper, 100 sheets per pack
- PB.5255** Immersion oil, 25 ml. Refraction index n = 1.515
- PB.5274** Isopropyl alcohol 99%, 200 ml
- PB.5275** Cleaning kit: lens fluid, lint free lens tissues/paper, brush, air blower, cotton swabs

DIMENSIONS



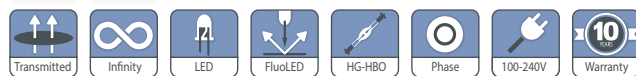
Oxion Inverso fluorescence

The Oxion Inverso inverted microscopes for fluorescence are useful for observation of living organisms and tissue cultures in cell culture dishes and flasks

The Oxion Inverso models for fluorescence are available with brightfield and phase contrast. Dedicated objectives are suitable for 1.2 mm thick glass bottoms of cell culture dishes and flasks



product information



Oxion Fluorescence OX.2453-PLPHF
488 (h) x 230.5 (w) x 728 mm (d) | 14.3 kg

● OX.2453-PLPHF



HIGHLIGHTS

- Life science applications
- Observation of tissue cultures, living cells
- Brightfield and phase contrast fluorescence
- Long working distance IOS plan achromatic objectives
- Revolving quintuple nosepiece
- 5 W LED transmitted illumination
- 100 W mercury vapor lamp for fluorescence
- Optional LED illumination for fluorescence
- 10 Years warranty



● Oxion Inverso with LED fluorescence (LE.6400)

SPECIFICATIONS

EYEPIECES

Pair of HWF plan 10x/22 mm eyepieces

HEAD

Trinocular 45° inclined tubes with extended low and high positions for eyepieces. One diopter adjustment on left eyepiece. Interpupillary distance of 54 to 75 mm. Trinocular head with 0-100 % beamsplitter

NOSEPIECE

Revolving quintuple nosepiece on ball-bearings

OBJECTIVES FOR BRIGHTFIELD AND FLUORESCENCE MICROSCOPY

(models OX.2253-PLF and OX.2453-PLF)
infinity color corrected long working distance plan Fluorex 10x/0.30, 20x/0.45, 40x/0.65 IOS objectives. An optional plan Fluorex 60x/0.75 IOS objective is also available

OBJECTIVES FOR PHASE CONTRAST AND FLUORESCENCE MICROSCOPY

(models OX.2253-PLPHF and OX.2453-PLPHF)
infinity color corrected long working distance plan Fluorex 10x/0.30 and plan phase Fluorex 20x/0.45 and S40x/0.65 IOS objectives

*All objectives corrected for 1.2 mm thickness.
All optics are anti-fungus treated and anti-reflection coated for maximum light throughput*

ICSI SET

Micromanipulator with two 3D hydraulic joysticks for Intracytoplasmic sperm injection is available for the Oxion Inverso fluorescence. See chapter 4

STAGE

Stage 250 x 230 mm equipped with a coaxial mechanical 120 x 78 mm X-Y stage, supplied with:

- Stage extension plate
- Metal insert for Ø 65 mm cell culture dish or MultiWell
- Metal insert for 76 x 26 mm slides and 54 mm cell dish (only for models with X-Y stage)
- Glass insert with Ø 30 mm hole
- Optional universal cell culture holder



- Accessories supplied with models with mechanical X-Y stage

CONDENSER

N.A. 0.30 condenser with iris diaphragm. Working distance 72 mm. The models for the phase contrast OX.2253-PLPHF and OX.2453-PLPHF are supplied with a slider with 4x/10x and 20x/40x pre-centered phase rings

FOCUSING ADJUSTMENT

Coaxial 25 mm coarse and fine adjustments, 2 µm precision and with friction adjustment

ILLUMINATION

Transmitted 5 W LED Intensity adjustable with internal 100-240 V power supply. Fuse holder 3.15 A / 250 V

The fluorescence models are equipped with a reflected 100 W HBO mercury vapor light source with external 100-240 V power supply, fuse holder 3.15 A / 250 V, UV protection shield

LED ILLUMINATION FOR FLUORESCENCE

Two LED sources for fluorescence are available for 4 or 9 excitation wavelengths. See our product LE.6400-OX

FILTERS FOR PHASE CONTRAST MODELS

Interference filter 550 nm green and blue filter, Ø 45 mm

STANDARD FLUORESCENCE FILTERS

(for fluorescence models)

The fluorescence models OX.2253-PLF and OX.2253-PLPHF come with brightfield and two standard filter sets for fluorescence:

- In the blue spectrum,
OX.9745, EX465-495 (BP) DM505 (LP) EM515-555 (BP)
- In the green spectrum,
OX.9746, EX540-580 (BP) DM600 (LP) EM605-665 (BP)

The fluorescence models OX.2453-PLF and OX.2453-PLPHF come with brightfield and three standard filter sets for fluorescence:

- In the blue spectrum,
OX.9745, EX465-495 (BP) DM505 (LP) EM515-555 (BP)
- In the green spectrum,
OX.9746, EX540-580 (BP) DM600(LP) EM605-665 (BP)
- In the UV spectrum,
OX.9747, EX361-389 (BP) DM415 (LP) EM435-485 (BP)

On special request, the microscope can also be supplied with optimized and zero-pixel shift optimized filter sets on request. See end of this chapter

PACKAGE CONTENT

Supplied with metal insert with Ø 25 mm hole, metal insert for Ø 35 mm cell culture dish, blue LBD and green 550 nm interference Ø 45 mm filter, power cord, dust cover and user manual. Phase contrast models are supplied with 4x/10x and 20x/40x phase contrast annuli in slider, green filter and alignment telescope



- Standard accessory

MODELS	LWD Plan Fluarex 10x/ 20x/40x objectives	LWD Plan Fluarex 10x/, plan phase Fluarex 20x/40x objectives	3-position rail (BF, Blue & Green)	4-position rail (BF, Blue, Green & UV)	Mechanical stage	LED fluorescence illumination*
OX.2253-PLF	•		•		•	o*
OX.2453-PLF	•			•	•	o*
OX.2253-PLPHF		•	•		•	o*
OX.2453-PLPHF		•		•	•	o*

* Can be supplied optionally. Please order the LE.6400-ADD to replace the HBO illumination for the LE.6400 illuminator.

See **LED light sources** in this chapter for more information
Fluarex objectives are made of low-absorption glass for fluorescence applications
Fluarex is a trademark of Euromex microscopen bv
LWD = long working distance

ACCESSORIES & SPARE PARTS STANDARD GENERAL PURPOSE FLUORESCENCE FILTER SETS:

EYEPIECES

Ø 30 mm tube

- OX.6010** HWF 10x/22 mm eyepiece
- OX.6015** HWF 15x/16 mm eyepiece
- OX.6110** HWF 10x/22 mm eyepiece with micrometer reticule
- OX.6099** Pair of eyecups

Plan Fluarex infinity corrected PLFi, for brightfield and fluorescence⁽¹⁾

- OX.8604** 4x/0.13 PLFi objective, LWD 18.95 mm
- OX.8610** 10x/0.30 PLFi objective, LWD 7.27 mm
- OX.8620** 20x/0.45 PLFi objective, LWD 6.03 mm
- OX.8640** 40x/0.65 PLFi objective, LWD 1.79 mm
- OX.8660** 60x/0.75 PLFi objective, LWD 1.28 mm

Plan Phase Fluarex infinity corrected PLPHFi for fluorescence AND phase contrast⁽¹⁾⁽²⁾⁽³⁾

- OX.8720** 20x/0.45 PLPHFi objective. LWD 6.12 mm
- OX.8740** 40x/0.65 PLPHFi objective. LWD 1.79 mm

⁽¹⁾ All objectives corrected for 1 mm coverglass thickness except OX.8304

⁽²⁾ Phase contrast objectives require slider with phase contrast annuli OX.9163

⁽³⁾ Phase contrast objectives require slider with phase contrast annuli OX.9163

All optical parts are anti-fungus treated

LWD = Long working distance

OX.9745

Fluorescence filter block

for blue excitation 465-495 nm

OX.9746

Fluorescence filter block

for green excitation 540-580 nm

OX.9747

Fluorescence filter block

for ultra violet excitation 361-389 nm

OX.9748

Fluorescence filter block

for violet excitation 415-445 nm

OX.9148

Telescope for phase contrast fluorescence alignment

OX.9149

Telescope for phase contrast alignment

OX.9190

Slider with 4x/10x and 20x/40x phase contrast annuli

OX.9810

C-mount adapter with 0.33x objective for Oxion microscopes and 1/3" cameras

OX.9833

C-mount adapter with 0.5x objective for Oxion and Oxion Inverso microscopes and 1/2" cameras

OX.9850

C-mount adapter with 1.0x objective for Oxion and Oxion Inverso microscopes and 1/2" cameras

AE.5120-2

Trinocular 23.2 mm tube for Oxion photo port revision-2

AE.5130

Universal SLR camera adapter with 2x projection lens for 23.2 mm tubes. Needs T2 adapter and AE.5120-2

AE.5025

T2 adapter for Nikon D digital SLR cameras

AE.5040

T2 adapter for Canon EOS digital SLR cameras

STAGES AND HOLDERS

- OX.9500** Mechanical coaxial X-Y 120 x 78 mm stage
- OX.9506** Transparent glass insert with \varnothing 30 mm hole
- OX.9508** Metal insert with \varnothing 25 mm hole
- OX.9510** Metallic insert for \varnothing 65 mm cell culture dish and MultiWell
- OX.9512** Metal insert with 76 x 26 mm slide holder and \varnothing 55 mm cell culture dish holder
- OX.9535** Metal insert for \varnothing 35 mm cell culture dish holder
- OX.9550** Stage extension plate
- OX.9599** Universal cell culture dish holder
- AE.8010** Heating stage with transparent glass plate for AE.8000 Micromanipulator, including digital temperature controller



● OX.9599

DISPOSABLES

- PB.5155** Microscope slides 76 x 26 mm, ground edges, 50 pieces
- PB.5165** Coverglasses 18 x 18 mm, thickness 0.13 - 0.17 mm, 100 pieces
- PB.5168** Coverglasses 22 x 22 mm, thickness 0.13 - 0.17 mm, 100 pieces
- PB.5245** Lens cleaning paper, 100 sheets per pack
- PB.5255** Immersion oil, n = 1.482 (25 ml)
- PB.5274** Isopropyl alcohol 99% (200 ml)
- PB.5275** Cleaning kit: lens cleaning fluid, lint free lens tissues, brush, air blower, cotton swabs



● Accessories supplied with phase contrast models

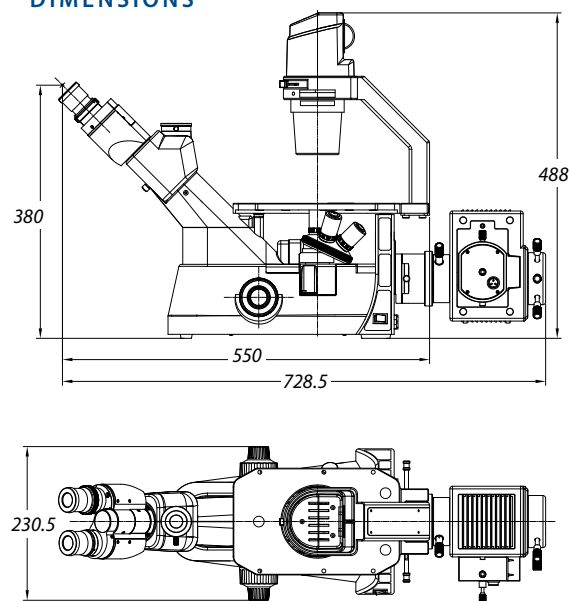
MICROMANIPULATOR ATTACHMENT

- AE.8000** Micromanipulator for intracytoplasmic sperm injection (ICSI) suitable for the Oxion Inverso inverted microscope

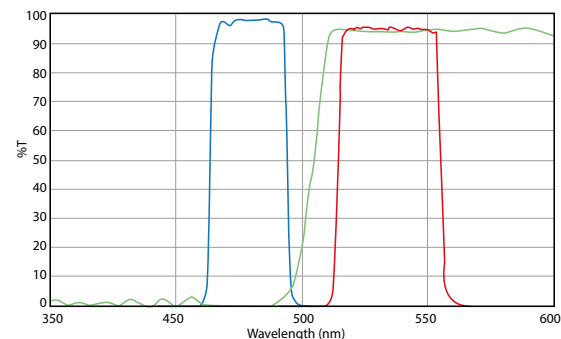
MISCELLANEOUS

- OX.9700** Blue filter \varnothing 45 mm
- OX.9985** 5 W NeoLED™ replacement unit
- AE.3199** Glass fuses 3.15 A 250 V packed, per 10 pieces
- SL.1385** 100 W HBO mercury vapor lamp for fluorescence
- OX.9703** IR cut-off filter
- OX.9749** Empty filter block
- OX.9753** Filter block rail, three positions, without filters
- OX.9754** Filter block rail, four positions, without filters

DIMENSIONS

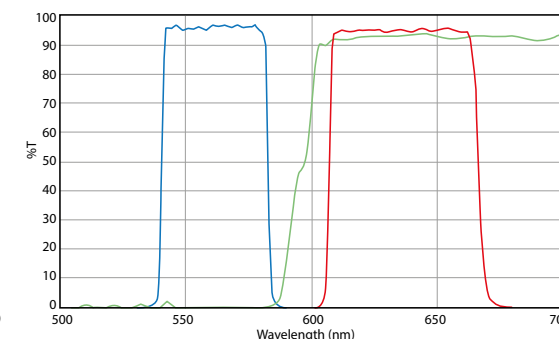


STANDARD GENERAL PURPOSE FLUORESCENCE FILTER SETS



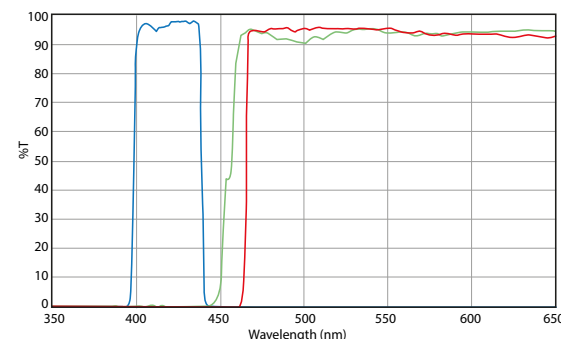
● **OX.9745 Blue excitation 465-495 nm**
FITC EX465-495 (BP) DM505 (LP) EM515-555 (BP)

Also suitable for: Acridine Orange + DNA, Alexa Fluor 488, Atto 488, Azami Green, BODIPY FL/pH7.2, Calcein, Calcium Green-1, Cy2, DiO, DyLight 488, EGFP, Emerald GFP, FAM, FITC, Fluo-4, GFP LysoTracker Green/pH 5.2, MitoTracker Green FM/MeOH, mWasabi, Oregon Green 488, SYBR Green I, SYTO 9/DNA, ZsGreen



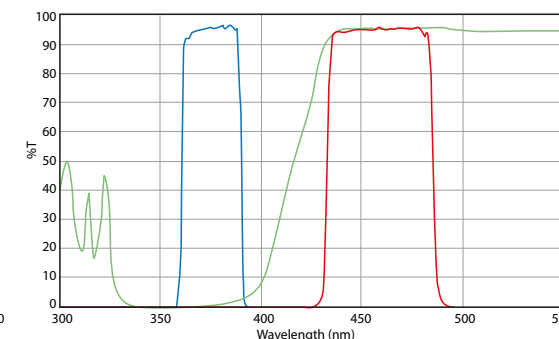
● **OX.9746 Green excitation 540-580 nm**
Texas Red / mCherry / Alexa Fluor 594
EX540-580 (BP) DM600 (LP) EM605-665 (BP)

Also suitable for: Alexa Fluor 568, Alexa Fluor 594, CAL Fluor Red 610, Cy3.5, DyLight 594, FusionRed, Killer Red, mCherry, MitoTracker Red/MeOH, mKate2, mRFP1, ReAsH-CCPGCC, Rhodamine Red-X, ROX, Sulforhodamine 101, Texas Red, Texas Red-X, X-rhod-1/Ca2+



● **OX.9747 Ultra-Violet excitation 361-381 nm**
DAPI / Hoechst / Alexa Fluor 350
350 EX361-389 (BP) D415 (LP) EM435-485 (BP)

Also suitable for: Alexa Fluor 350, Biosearch Blue, Coumarin, DAPI, DyLight 350, Hoechst 33258, LysoTracker Blue/MeOH



● **OX.9748 Violet excitation 415-445 nm**
UV/DAPI/Hoechst/AlexaFluor 350
EX415-445 (BP) DM455 (LP) EM465-495 (BP)

The fluorescence microscopes can be equipped with more specific, optimized and application related fluorescence filter sets, see accessories section and/or separate fluorescence filter catalog



LED SOURCES

LED light source
for fluorescence

• LE.6400

Euromex offers two high-end and extremely easy-to-use LED light sources for fluorescence applications that can replace mercury vapor HBO light sources of our microscope solutions for fluorescence

The standard LE.6400 system has a 100-240 V power supply/intensity control unit with keyboard for selection and intensity adjustment of four wavelength bands. Standard fits for all models, except Oxion inverso. For that model we offer LE.6400-OX. For other brand microscopes we offer adapters



product information



HIGHLIGHTS

- Stand-alone operation
- Easy mounting and operation
- 4 Excitation wavelengths-bands are available
- 2 Years warranty



• Keyboard pad

LAMPHOUSE	95 (h) x 85 (w) x 130 (d) 1.30 kg
CONTROLLER	75 (h) x 150 (w) x 205 (d) 0.90 kg

SPECIFICATIONS

LAMPHOUSE

The lamphouse can be mounted with a specific adapter on a Euromex Delphi-X Observer, iScope and Oxion upright microscopes as well as for our Oxion Inverso and Delphi-X Inverso inverted models. For other brands, contact Euromex

CONTROLLER

The standard LE.6400 system has a 100-240 V power supply/intensity control unit for selection and intensity adjustment of four wavelength bands



LE.6400

Band	Wavelength	FWHM (nm)	Range	Color	Power (mW)
1	365	18	330-380	Ultra violet	≥ 2000
5	470	24	450-490	Blue	≥ 900
6	525	40	505-545	Green	≥ 500
8B	630	30	620-640	Red	≥ 600

LE.6400-OX

Band	Wavelength	FWHM (nm)	Range	Color	Power (mW)
1	365	18	330-380	Ultra violet	≥ 2000
5	470	24	450-490	Blue	≥ 900
7B	560	40	540-580	Emerald green	≥ 600
8B	630	30	620-640	Red	≥ 600

FLUORESCENCE FILTER SETS

For ordering a specific fluorescence filter set find the fluorochrome you need and add the filter set reference 'xxxx' as follows:

FOR ISCOPE:

IS.9750.xxxx/6, iScope with 6-position fluorescence attachment, needs also empty block IS.9749/6

IS.9750.xxxx/3 iScope with 3-position fluorescence attachment, needs also empty block IS.9749/3

FOR DZ SERIES:

DZ.9750.xxxx, this set is supplied with two emission filters and also needs empty block DZ.9749

EXAMPLE:

*the reference for the iScope
with a 39001 filter set is IS.9750.39001*

OPTIMIZED FILTER SETS

19xxx series is an optimized filter set with long pass filter

39xxx series is a standard optimized filter set

49xxx series is a zero-pixel shift optimized filter set

Acridine Orange DNA - EX: 500 nm EM: 526 nm

EX: **465-495** nm DM 505 nm EM: **515** nm (LP) • **19002**

EX: **465-495** nm DM 505 nm EM: **590-650** nm • **39009**

EX: **460-500** nm DM 510 nm EM: **510-560** nm • **49011**

Acridine Orange DNA+RNA - EX: 500 nm EM: 526 nm

EX: **465-495** nm DM 505 nm EM: **515** nm (LP) • **19002**

EX: **460-500** nm DM 510 (LP) EM: **510** nm (LP) • **19012**

Alexa Fluor 488 - EX: 498 nm EM: 520 nm

EX: **460-500** nm DM 510 nm EM: **510-560** nm • **49011**

Alexa Fluor 514 - EX: 517 nm EM: 539 nm

EX: **485-505** nm DM 515 nm EM: **525-555** nm • **39003**

EX: **490-510** nm DM 515 nm EM: **520-550** nm • **49003**

Alexa Fluor 546 - EX: 556 nm EM: 573 nm

EX: **528-553** nm DM 565 nm EM: **578-633** nm • **39004**

EX: **532-557** nm DM 605 nm EM: **570-640** nm • **49004**

Alexa Fluor 555 - EX: 553 nm EM: 568 nm

EX: **528-553** nm DM 565 nm EM: **578-633** nm • **39002**

EX: **532-557** nm DM 605 nm EM: **570-640** nm • **49004**

FOR DELPHI-X OBSERVER/INVERSO:

DX.9750.xxxx, Delphi-X Observer with 6-position fluorescence attachment, needs also empty block DX.9749/6

DI.9750.xxxx, Delphi-X Inverso with 6-position fluorescence attachment, needs also empty block DI.9749/6

FOR OXION SERIES:

OX.9750.xxxx Oxion inverso with 3-position fluorescence attachment, needs also empty block OX.9749/3

OX.9750.xxxx Oxion inverso with 4-positions fluorescence attachment, needs also empty block OX.9749/4

AE.3250.xxxx, Oxion upright with 4-positions fluorescence attachment, needs also empty block AE.3249



● AE.3248

Alexa Fluor 568 - EX: 578 nm EM: 603 nm

EX: **540-580** nm DM 600 nm EM: **615-665** nm • **39010**

EX: **540-580** nm DM 585 nm EM: **593-667** nm • **49008**

Alexa Fluor 594 - EX: 590 nm EM: 617 nm

EX: **540-580** nm DM 600 nm EM: **615-665** nm • **39010**

Alexa Fluor 647 - EX: 649 nm EM: 666 nm

EX: **595-645** nm DM 655 nm EM: **665-715** nm • **39007**

EX: **590-650** nm DM 660 nm EM: **663-737** nm • **49006**

EX: **625-655** nm DM 660 nm EM: **665-715** nm • **49009**

AmCyan - EX: - 458 nm EM: 489 nm

EX: **425-445** nm DM 455 nm EM: **465-495** nm • **39001**

Auramine longpass - EX: 460 nm EM: 550 nm

EX: **425-475** nm DM 485 nm EM: **495** nm (LP) • **19008**

Auramine-rhodamine - EX: 450 nm EM: 550 nm

EX: **465-495** nm DM 505 nm EM: **515** nm (LP) • **19002**

Azami Green - EX: 492 nm EM: 505 nm

EX: **465-495** nm DM 505 nm EM: **515-555** nm • **39002**

EX: **450-490** nm DM 525 nm EM: **500-550** nm • **49002**

Biosearch Blue - EX: 352 nm EM: 447 nm

EX: **361-389** nm DM 415 nm EM: **435-485** nm • **39000**

BODIPY FL/pH7.2 - EX: 505 nm EM: 512 nm

EX: **465-495** nm DM 505 nm EM: **515-555** nm • **39002**

EX: **450-490** nm DM 525 nm EM: **500-550** nm • **49002**

CAL Fluor Red 590 - EX: 569 nm EM: 591 nm

EX: **528-553** nm DM 565 nm EM: **578-633** nm • **39004**

EX: **532-557** nm DM 605 nm EM: **570-640** nm • **49004**

CAL Fluor Red 610 - EX: 590 nm EM: 610 nm

EX: **540-580** nm DM 600 nm EM: **615-665** nm • **39010**

Calcein - EX: 494 nm EM: 517 nm

EX: **465-495** nm DM 505 nm EM: **515-555** nm • **39002**

EX: **450-490** nm DM 525 nm EM: **500-550** nm • **49002**

EX: **460-500** nm DM 510 nm EM: **510-560** nm • **49011**

Calcium Green-1 - EX: 506 nm EM: 531 nm

EX: **465-495** nm DM 505 nm EM: **515-555** nm • **39002**

EX: **450-490** nm DM 525 nm EM: **500-550** nm • **49002**

EX: **460-500** nm DM 510 nm EM: **510-560** nm • **49011**

Calcofluor White - EX: 350 nm EM: 475 nm

EX: **361-389** nm DM: 415 nm EM: **435** nm (LP) • **19000**

EX: **361-389** nm DM: 415 nm EM: **515** nm (LP) • **19012**

Cerulean - EX: 433 nm EM: 475 nm

EX: **425-445** nm DM 455 nm EM: **465-495** nm • **39001**

CFP - EX: 433 nm EM: 475 nm

EX: **425-445** nm DM 455 nm EM: **465-495** nm • **39001**

Citrine - EX: 514 nm EM: 529 nm

EX: **485-505** nm DM 515 nm EM: **525-555** nm • **39003**

EX: **490-510** nm DM 515 nm EM: **520-550** nm • **49003**

Coumarin - EX: 384 nm EM: 470 nm

EX: **390-420** nm DM: 440 nm EM: **450** nm (LP) • **19011**

Cy2 - EX: 489 nm EM: 506 nm

EX: **465-495** nm DM 505 nm EM: **515-555** nm • **39002**

EX: **450-490** nm DM 525 nm EM: **500-550** nm • **49002**

EX: **460-500** nm DM 510 nm EM: **510-560** nm • **49011**

Cy3.5 - EX: 581 nm EM: 598 nm

EX: **540-580** nm DM 600 nm EM: **615-665** nm • **39010**

EX: **540-580** nm DM 585 nm EM: **593-667** nm • **49008**

Cy3 - EX: 552 nm EM: 570 nm

EX: **528-553** nm DM 565 nm EM: **578-633** nm • **39004**

EX: **532-557** nm DM 605 nm EM: **570-640** nm • **49004**

Cy5 - EX: 649 nm EM: 670 nm

EX: **595-645** nm DM 655 nm EM: **665-715** nm • **39007**

EX: **590-650** nm DM 660 nm EM: **663-737** nm • **49006**

EX: **625-655** nm DM 660 nm EM: **665-715** nm • **49009**

Cy7 - EX: 743 nm EM: 767 nm

EX: **672-747** nm DM 760 nm EM: **765-855** nm • **49007**

DAPI - EX: 359 nm EM: 461 nm

EX: **361-389** nm DM 415 nm EM: **435-485** nm • **39000**

EX: **361-389** nm DM 415 nm EM: **435** nm (LP) • **19000**

EX: **361-389** nm DM 415 nm EM: **435-485** nm • **39000**

EX: **325-375** nm DM 400 EM: **435-485** nm • **49000**

Draq5 - EX: 647 nm EM: 683 nm

EX: **595-645** nm DM 655 nm EM: **665-715** nm • **39007**

DsRed - EX: 557 nm EM: 584 nm

EX: **528-553** nm DM 565 nm EM: **578-633** nm • **39004**

EX: **532-557** nm DM 605 nm EM: **570-640** nm • **49004**

DyLight 350 - EX: 352 nm EM: 435 nm

EX: **361-389** nm DM 415 nm EM: **435-485** nm • **39000**

DyLight 405 - EX: 399 nm EM: 433 nm

EX: **390-420** nm DM: 440 nm EM: **450** nm (LP) • **19011**

DyLight 488 - EX: 492 nm EM: 517 nm

EX: **465-495** nm DM 505 nm EM: **515-555** nm • **39002**

EX: **450-490** nm DM 525 nm EM: **500-550** nm • **49002**

EX: **460-500** nm DM 510 nm EM: **510-560** nm • **49011**

DyLight 549 - EX: 554 nm EM: 569 nm

EX: **528-553** nm DM 565 nm EM: **578-633** nm • **39004**

EX: **532-557** nm DM 605 nm EM: **570-640** nm • **49004**

DyLight 594 - EX: 592 nm EM: 616 nm

EX: **540-580** nm DM 600 nm EM: **615-665** nm • **39010**

EX: **540-580** nm DM 585 nm EM: **593-667** nm • **49008**

DyLight 649 - EX: 652 nm EM: 667 nm

EX: **595-645** nm DM 655 nm EM: **665-715** nm • **39007**

EX: **590-650** nm DM 660 nm EM: **663-737** nm • **49006**

EX: **625-655** nm DM 660 nm EM: **665-715** nm • **49009**

DyLight 750 - EX: 751 nm EM: 772 nm

EX: **672-747** nm DM 760 nm EM: **765-855** nm • **49007**

FLUORESCENCE FILTER SETS (continued)

ECFP - EX: 434 nm EM: 477 nm

EX: **425-445** nm DM 455 nm EM: **465-495** nm • **39001**

EGFP - EX: 488 nm EM: 507 nm

EX: **465-495** nm DM 505 nm EM: **515-555** nm • **39002**

EX: **450-490** nm DM 525 nm EM: **500-550** nm • **49002**

Emerald GFP - EX: 489 nm EM: 510 nm

EX: **465-495** nm DM 505 nm EM: **515-555** nm • **39002**

EX: **450-490** nm DM 525 nm EM: **500-550** nm • **49002**

EYFP/pH 7 - EX: 514 nm EM: 527 nm

EX: **485-505** nm DM 515 nm EM: **525-555** nm • **39003**

EX: **490-510** nm DM 515 nm EM: **520-550** nm • **49003**

FITC - EX: 490 nm EM: 525 nm

EX: **465-495** nm DM 505 nm EM: **515-555** nm • **39002**

EX: **450-490** nm DM 525 nm EM: **500-550** nm • **49002**

EX: **460-500** nm DM 510 nm EM: **510-560** nm • **49011**

EX: **465-495** nm DM 505 nm EM: **515** nm (LP) • **19002**

EX: **465-495** nm DM 505 nm EM: **515-555** nm • **39002**

EX: **450-490** nm DM 525 nm EM: **500-550** nm • **49002**

EX: **460-500** nm DM 510 nm EM: **510-560** nm • **49011**

Fluo-4 - EX: 494 nm EM: 516 nm

EX: **465-495** nm DM 505 nm EM: **515-555** nm • **39002**

EX: **450-490** nm DM 525 nm EM: **500-550** nm • **49002**

EX: **460-500** nm DM 510 nm EM: **510-560** nm • **49011**

FluoroGold - EX: 390 nm EM: 600 nm

EX: **361-389** nm DM: 415 nm EM: **515** nm (LP) • **19012**

FM 1-43 - EX: 479 nm EM: 598 nm

EX: **465-495** nm DM: 505 nm EM: **600** nm (LP) • **19010**

FM 4-64 - EX: 515 nm EM: 740 nm

EX: **540-580** nm DM: 600 nm EM: **610** nm (LP) • **19006**

FM 4-64 - EX: 515 nm EM: 740 nm

EX: **465-495** nm DM: 505 nm EM: **600** nm (LP) • **19010**

FusionRed - EX: 576 nm EM: 603 nm

EX: **540-580** nm DM 600 nm EM: **615-665** nm • **39010**

EX: **540-580** nm DM 585 nm EM: **593-667** nm • **49008**

GFP - EX: 488 nm EM: 507 nm

EX: **465-495** nm DM 505 nm EM: **515-555** nm • **39002**

EX: **450-490** nm DM 525 nm EM: **500-550** nm • **49002**

Hoechst 33258 - EX: 352 nm EM: 461 nm

EX: **361-389** nm DM 415 nm EM: **435-485** nm • **39000**

EX: **325-375** nm DM 400 nm EM: **435-485** nm • **49000**

Lucifer Yellow - EX: 428 nm EM: 540 nm

EX: **400-440** nm DM 455 nm EM: **515-555** nm • **39008**

LysoTracker Blue/MeOH - EX: 373 nm EM: 425 nm

EX: **361-389** nm DM 415 nm EM: **435-485** nm • **39000**

LysoTracker Green/pH 5.2 - EX: 504 nm EM: 511 nm

EX: **465-495** nm DM 505 nm EM: **515-555** nm • **39002**

EX: **450-490** nm DM 525 nm EM: **500-550** nm • **49002**

LysoTracker Red/pH 5.2 - EX: 577 nm EM: 590 nm

EX: **540-580** nm DM 585 nm EM: **593-667** nm • **49008**

LysoTracker Yellow HCK-123 - EX: 486 nm EM: 563 nm

EX: **465-495** nm DM 505 nm EM: **590-650** nm • **39009**

mCherry - EX: 587 nm EM: 610 nm

EX: **540-580** nm DM 600 nm EM: **615-665** nm • **39010**

EX: **540-580** nm DM 585 nm EM: **593-667** nm • **49008**

mCitrine - EX: 514 nm EM: 529 nm

EX: **485-505** nm DM 515 nm EM: **525-555** nm • **39003**

EX: **490-510** nm DM 515 nm EM: **520-550** nm • **49003**

MitoTracker Green FM/MeOH - EX: 490 nm EM: 516 nm

EX: **465-495** nm DM 505 nm EM: **515-555** nm • **39002**

EX: **450-490** nm DM 525 nm EM: **500-550** nm • **49002**

MitoTracker Orange/MeOH - EX: 551 nm EM: 576 nm

EX: **528-553** nm DM 565 nm EM: **578-633** nm • **39004**

EX: **532-557** nm DM 605 nm EM: **570-640** nm • **49004**

MitoTracker Red/MeOH - EX: 578 nm EM: 599 nm

EX: **540-580** nm DM 600 nm EM: **615-665** nm • **39010**

EX: **540-580** nm DM 585 nm EM: **593-667** nm • **49008**

MitoTracker Deep Red 633/MeOH - EX: 644 nm EM: 665 nm

EX: **590-650** nm DM 660 nm EM: **663-737** nm • **49006**

EX: **625-655** nm DM 660 nm EM: **665-715** nm • **49009**

mRFP1 - EX: 584 nm EM: 607 nm

EX: **540-580** nm DM 600 nm EM: **615-665** nm • **39010**

EX: **540-580** nm DM 585 nm EM: **593-667** nm • **49008**

mWasabi - EX: 493 nm EM: 509 nm

EX: **465-495** nm DM 505 nm EM: **515-555** nm • **39002**

EX: **450-490** nm DM 525 nm EM: **500-550** nm • **49002**

Nile Blue - EX: 631 nm EM: 660 nm

EX: **590-650** nm DM 660 nm EM: **663-737** nm • **49006**

Oregon Green 488 - EX: 490 nm EM: 514 nm

EX: **465-495** nm DM 505 nm EM: **515-555** nm • **39002**

EX: **450-490** nm DM 525 nm EM: **500-550** nm • **49002**

Oregon Green 514 - EX: 506 nm EM: 526 nm

EX: **485-505** nm DM 515 nm EM: **525-555** nm • **39003**

EX: **490-510** nm DM 515 nm EM: **520-550** nm • **49003**

Pacific Blue - EX: 405 nm EM: 455 nm

EX: **390-420** nm DM: 440 nm EM: **450** nm (LP) • **19011**

Propidium Iodide - EX: 536 nm EM: 617 nm

EX: **528-552** nm DM 565 nm EM: **590-650** nm • **39005**

EX: **530-560** nm DM 570 nm EM: **590-650** nm • **49005**

Pulsar 650 - EX: 460 nm EM: 650 nm

EX: **465-495** nm DM: 505 nm EM: **600** nm (LP) • **19010**

Quasar 670 - EX: 647 nm EM: 670 nm

EX: **595-645** nm DM 655 nm EM: **665-715** nm • **39007**

Rhod-2 - EX: 552 nm EM: 581 nm

EX: **528-553** nm DM 565 nm EM: **578-633** nm • **39004**

EX: **532-557** nm DM 605 nm EM: **570-640** nm • **49004**

Rhodamine 123 - EX: 507 nm EM: 529 nm

EX: **485-505** nm DM 515 nm EM: **525-555** nm • **39003**

EX: **490-510** nm DM 515 nm EM: **520-550** nm • **49003**

Rhodamine Red-X - EX: 570 nm EM: 590 nm

EX: **540-580** nm DM 600 nm EM: **615-665** nm • **39010**

EX: **540-580** nm DM 585 nm EM: **593-667** nm • **49008**

Sulforhodamine 101 - EX: 586 nm EM: 605 nm

EX: **540-580** nm DM 600 nm EM: **615-665** nm • **39010**

SYBR Green I - EX: 498 nm EM: 522 nm

EX: **465-495** nm DM 505 nm EM: **515-555** nm • **39002**

EX: **450-490** nm DM 525 nm EM: **500-550** nm • **49002**

EX: **460-500** nm DM 510 nm EM: **510-560** nm • **49011**

SYTO 9/DNA - EX: 483 nm EM: 500 nm

EX: **465-495** nm DM 505 nm EM: **515-555** nm • **39002**

EX: **450-490** nm DM 525 nm EM: **500-550** nm • **49002**

EX: **460-500** nm DM 510 nm EM: **510-560** nm • **49011**

SYTO 60 - EX: 652 nm EM: 678 nm

EX: **595-645** nm DM 655 nm EM: **665-715** nm • **39007**

EX: **590-650** nm DM 660 nm EM: **663-737** nm • **49006**

EX: **625-655** nm DM 660 nm EM: **665-715** nm • **49009**

TagRFP - EX: 556 nm EM: 584 nm

EX: **528-553** nm DM 565 nm EM: **578-633** nm • **39004**

TAMRA - EX: 555 nm EM: 580 nm

EX: **528-553** nm DM 565 nm EM: **578-633** nm • **39004**

EX: **532-557** nm DM 605 nm EM: **570-640** nm • **49004**

Texas Red - EX: 595 nm EM: 620 nm

EX: **540-580** nm DM 600 nm EM: **615-665** nm • **39010**

EX: **540-580** nm DM 585 nm EM: **593-667** nm • **49008**

Texas Red-X - EX: 595 nm EM: 615 nm

EX: **540-580** nm DM 600 nm EM: **615-665** nm • **39010**

EX: **540-580** nm DM 585 nm EM: **593-667** nm • **49008**

TO-PRO-3 - EX: 642 nm EM: 661 nm

EX: **595-645** nm DM 655 nm EM: **665-715** nm • **39007**

Topaz - EX: 514 nm EM: 529 nm

EX: **485-505** nm DM 515 nm EM: **525-555** nm • **39003**

EX: **490-510** nm DM 515 nm EM: **520-550** nm • **49003**

TRITC - EX: 555 nm EM: 580 nm

EX: **528-553** nm DM 565 nm EM: **578-633** nm • **39004**

Turbo FP650 - EX: 592 nm EM: 650 nm

EX: **540-580** nm DM: 600 nm EM: **610** nm (LP) • **19006**

EX: **540-580** nm DM 585 nm EM: **593-667** nm • **49008**

wtGFP - EX: 475 nm EM: 509 nm

EX: **425-475** nm DM 485 nm EM: **495** nm (LP) • **19008**

X-rhod-1/Ca2+ - EX: 580 nm EM: 601 nm

EX: **540-580** nm DM 600 nm EM: **615-665** nm • **39010**

ZsGreen1 - EX: 493 nm EM: 505 nm

EX: **465-495** nm DM 505 nm EM: **515-555** nm • **39002**

FLUORESCENCE FILTER SETS (continued)

OPTIMIZED FISH SINGLE BAND FILTERS

- DAPI 395 nm** FISH single band
EX: **385-407** nm DM 425 EM: **435-485 • 49028**
- Blue** FISH single band
EX: **400-410** nm DM 425 EM: **442-478 • 49301**
- Aqua** FISH single band
EX: **426-446** nm DM 425 EM: **465-495 • 49302**
- Green#1** FISH single band
EX: **483-507** nm DM 515 EM: **522-551) • 49303**
- Green#2 FISH** single band
EX: **473-497** nm DM 515 EM: **510-540 • 49308**
- Green#3 Narrow band** FISH single band
EX: **480-500** nm DM 505 EM: **515-535 • 49312**
- Gold FISH** single band
EX: **541-551** nm DM 556 EM: **560-583 • 49304**
- Orange#1** FISH single band
EX: **535-557** nm DM 565 EM: **573-606 • 49305**
- Orange#2 FISH** single band
EX: **529-550** nm DM 556 EM: **561-592 • 49309**
- Red#1 FISH** single band
EX: **568-592** nm DM 600 EM: **595-640 • 49306**
- Red#2 FISH** single band
EX: **581-602** DM 610 EM: **615-645 • 49310**
- Red#3 Narrow band** FISH single band
EX: **592-605** nm DM 612 EM: **618-646 • 49311**
- Far Red FISH** single band
EX: **620-640** nm DM 647 EM: **637-697 • 49307**
- Cy5 Narrow Excitation** single band
EX: **625-655** nm DM 660 EM: **665-715 • 49009**

OPTIMIZED FISH DUAL BAND FILTERS

- DAPI/Green** FISH dual band 3 filters
EX: **380-410** / EX: **470-495**, DM 424-462 / 515-560 / 610-660,
EM: **515-540** / EM: **615-645 • 59001v2**
- DAPI/Orange** FISH dual band 3 filters
EX: **380-405** / **530-560**, DM 430-495 / 570-615,
EM: **445-475** / **570-610 • 59002v2**
- DAPI/Red** FISH dual band 3 filters
EX: **380-405** / EX: **565-590**, DM 445-475 / **605-650**
EM: **445-475** / EM: **605-645 • 59003v2**

- Green/Red #1** FISH dual band 3 filters
EX: **480-500** / EX: **574-594**, DM 424-462 / 510-560 / 610-660,
EM: **515-540** / EM: **615-640 • 59010**
- Green/Orange #1** FISH dualband 3 filters
EX: **465-490** / EX: **550-570**, DM 425-455 / 505-535 / 590-625,
EM: **425-455** / EM: **505-535**) EM: **590-620 • 59011**
- Green/Orange #2** FISH dualband 3 filters
EX: **460-485** / EX: **540-560**, DM 500-530 / **575-620**,
EM: **500-530** / EM: **575-620 • 59012**
- Aqua/Gold** FISH dualband 3 filters
EX: **430-445** / EX: **525-545**, DM 465-495 / 565-595,
EM: **470-490** / EM: **570-590 • 59033**

OPTIMIZED FISH TRIPLE BAND FILTERS

- ECFP/EYFP/mCherry** triple band 3 filters
EM: **430-445** / EM: **495-510** / EM: **565-585**,
DM 455-480 / 520-550 / 600-660,
EM: **460-480** / EM: **520-550** / EM: **605-660 • 69008**
- DAPI/Green/Orange #1** FISH triple band 3 filters
EX: **380-405** / EX: **465-490** / EX: **550-570**,
DM 425-450 / 505-535 / 590-625
EM: **425-450** / EM: **505-535** / EM: **590-620 • 69013v2**
- DAPI/Green/Red** FISH triple band 3 filters
EX: **380-405** / EX: **480-495** / EX: **575-590**
DM 425-460 / 515-560 / 610-655
EM: **425-460** / EM: **515-560** / EM: **610-655 • 69015**
- Aqua/Green/Orange** FISH triple band 3 filters
EX: **425-445** / EX: **490-505** / EM: **550-560**
DM 460-475 / 520-540 / 590-630
EM: **460-475** / EM: **520-540** / EM: **595-625 • 69011**
- DAPI/Aqua/Green/Orange** FISH triple band 3 filters
EX: **380-390** / EX: **420-440** / EX: **555-575**
DM 455-475 / 518-540 / 590-628
EM: **460-475** / EM: **518-540** / EM: **595-630 • 69014EX: 620-640 nm DM 647 EM: 637-697 • 49307**
- Cy5 Narrow Excitation** single band
EX: **625-655** nm DM 660 EM: **665-715 • 49009**

OPTIMIZED FISH DUAL BAND FILTERS

- DAPI/Green FISH** dual band 3 filters
EX: **380-410** / EX: **470-495**, DM 424-462 / 515-560 / 610-660,
EM: **515-540** / EM: **615-645 • 59001v2**
- DAPI/Orange FISH** dual band 3 filters
EX: **380-405** / **530-560**, DM 430-495 / 570-615,
EM: **445-475** / **570-610 • 59002v2**
- DAPI/Red FISH** dual band 3 filters
EX: **380-405** / EX: **565-590**, DM 445-475 / **605-650**
EM: **445-475** / EM: **605-645 • 59003v2**
- Green/Red #1** FISH dual band 3 filters
EX: **480-500** / EX: **574-594**, DM 424-462 / 510-560 / 610-660,
EM: **515-540** / EM: **615-640 • 59010**
- Green/Orange #1** FISH dualband 3 filters
EX: **465-490** / EX: **550-570**, DM 425-455 / 505-535 / 590-625,
EM: **425-455** / EM: **505-535**) EM: **590-620 • 59011**
- Green/Orange #2** FISH dualband 3 filters
EX: **460-485** / EX: **540-560**, DM 500-530 / **575-620**,
EM: **500-530** / EM: **575-620 • 59012**
- Aqua/Gold FISH** dualband 3 filters
EX: **430-445** / EX: **525-545**, DM 465-495 / 565-595,
EM: **470-490** / EM: **570-590 • 59033**

OPTIMIZED FISH TRIPLE BAND FILTERS

- ECFP/EYFP/mCherry** triple band 3 filters
EM: **430-445** / EM: **495-510** / EM: **565-585**,
DM 455-480 / 520-550 / 600-660,
EM: **460-480** / EM: **520-550** / EM: **605-660 • 69008**
- DAPI/Green/Orange #1** FISH triple band 3 filters
EX: **380-405** / EX: **465-490** / EX: **550-570**,
DM 425-450 / 505-535 / 590-625
EM: **425-450** / EM: **505-535** / EM: **590-620 • 69013v2**
- DAPI/Green/Red** FISH triple band 3 filters
EX: **380-405** / EX: **480-495** / EX: **575-590**
DM 425-460 / 515-560 / 610-655
EM: **425-460** / EM: **515-560** / EM: **610-655 • 69015**
- Aqua/Green/Orange** FISH triple band 3 filters
EX: **425-445** / EX: **490-505** / EM: **550-560**
DM 460-475 / 520-540 / 590-630
EM: **460-475** / EM: **520-540** / EM: **595-625 • 69011**
- DAPI/Aqua/Green/Orange** FISH triple band 3 filters
EX: **380-390** / EX: **420-440** / EX: **555-575**
DM 455-475 / 518-540 / 590-628
EM: **460-475** / EM: **518-540** / EM: **595-630 • 69014**

NEUTRAL DENSITY FILTERS:

- 25 mm diameter, 1 mm thick and unmounted**
- AE.3250.ND01** Neutral density filter, ND 0.10 (T 80 %)
- 32 mm diameter, 1 mm thick and unmounted**
- AE.3252.ND01** Neutral density filter, ND 0.10 (T80 %)
- AE.3252.ND02** Neutral density filter, ND 0.20 (T 65 %)
- AE.3252.ND03** Neutral density filter, ND 0.30 (T 50 %)
- AE.3252.ND04** Neutral density filter, ND 0.40 (T 40 %)
- AE.3252.ND05** Neutral density filter, ND 0.50 (T 32 %)
- AE.3252.ND06** Neutral density filter, ND 0.60 (T 25 %)
- AE.3252.ND10** Neutral density filter, ND 1.0 (T 10 %)
- AE.3252.ND13** Neutral density filter, ND 1.3 (T 5 %)

On request, microscopes can be equipped with more specific, optimized and application related fluorescence filter sets

UltraZoom

FEATURED

life science

stereo microscopes



UltraZoom

Discover the new UltraZoom (fluorescence) stereo microscopes for life science, page 210

stereo microscopes



product information

- STEREOBLUE • 196
- NEXIUSZOOM • 200
- ULTRAZOOM • 210
- DZ SERIES • 214
- Z SERIES • 220

Euromex stereo microscopes enable you to examine and analyze your specimens in both two and three dimensions. Combined with LED illumination the high-performance digital cameras and easy-to-use ImageFocus software provide perfect solutions for precise analysis and documentation



STEREO MICROSCOPES

LIFE SCIENCE
STEREO MICROSCOPES
5

StereoBlue

These stereo (zoom) microscopes are especially developed for laboratory applications, education and are greatly appreciated by biologists, entomologists and geologists

Equipped with either a parfocal zoom system with 1:6.4 zoom ratio or a double magnification revolver - both with LED illumination - the StereoBlue range guarantees crisp, high resolution images



● SB.1903



product information

- Bino
- Trino
- 360°
- Transmitted
- Incident
- LED
- Zoom
- APL
- Battery
- 100-240V
- Anti-theft
- Warranty

SB.1903
330 (h) x 220 (w) x 266 mm (d) 4.4 kg
SB.1903-P
299 (h) x 220 (w) x 266 mm (d) 5.1 kg
SB.1302/SB.1402
330 (h) x 220 (w) x 266 mm (d) 4.0 kg
SB.1302-P/SB.1402-P
299 (h) x 220 (w) x 266 mm (d) 4.7 kg

HIGHLIGHTS

- Designed for professional use
- Robust and sturdy
- WF 10x/21 mm eyepieces
- Dual magnification or zoom models
- Available in ergonomic rack & pinion, pillar, universal and boom stands
- Double 3 W LED illumination
- Also available with batteries
- Ergonomic carrying grip
- 5 Years warranty

SPECIFICATIONS

EYEPIECES

Pair of WF 10x/21 mm secured eyepieces supplied with eyecups

HEAD

- Binocular or trinocular 45° inclined tubes
- Diopter adjustment on both eyepieces, except the models SB.1302-P/1402-P and SB.1302/1402, which have diopter adjustment on one side
- Interpupillary distance adjustable between 55 mm and 75 mm
- Trinocular head is supplied with a fixed light path beam splitter (50:50)

All optics are anti-fungus treated and anti-reflection coated for maximum light throughput

DUAL MAGNIFICATION OBJECTIVES

- Nosepiece with dual 1x/3x or 2x/4x revolving objectives
- Magnifications 10x/30x or 20x/40x
- Field of view 21 mm/6.9 mm or 10.5 mm/5.25 mm
- Working distance 100 mm

ZOOM OBJECTIVE

- Zoom stereo 0.7x to 4.5x parfocal objective
- Magnification from 7x to 45x
- Field of view 29.9 mm to 4.6 mm
- Working distance 100 mm



● SB.1402-P



Built-in ringlight with 30 intensity adjustable LED's

EVO ZOOM OBJECTIVE

- Zoom stereo 0.5x to 5.5x parfocal objective
- Magnification from 5x to 55x
- Field of view 38 mm to 3.9 mm
- Working distance 100 mm

STAND

- The rack & pinion and pillar stands of the StereoBlue are equipped with ergonomic flat bases, complete with two object clamps and Ø 60 mm transparent and black/white stage plates
- The ergonomic universal (single arm stand, U) and boom stand (dual arm, B) are ideal for viewing large samples or working under the microscope. They come without illumination

LIFE SCIENCE
STEREO MICROSCOPES
5

- The U- and B-stand can be equipped with ring illuminators LE.1974 and LE.1973 with respectively 72 or 144 power LEDs controlled in segments, ideal for creating or lifting shades
 - The stands are alloy metal casted with hardened coating
- More illumination options see chapter 9 (Accessories)*

ILLUMINATION

3 W transmitted and incident LED illuminators which can be used simultaneously. Model SB.3903 and SB.3903-P are equipped with 3 W transmitted and incident LED illuminators and a built-in 30 LED ringlight incident illuminator. The light

intensities can be adjusted separately. Also available with batteries (add "B" after article number, e.g. SB.1302-PB)

ANTI-THEFT SLOT

At the back of the microscope a Kensington Security slot is placed, which can be used to secure the instrument from theft (not on the U- and B-models)

PACKAGE CONTENT

Models with illumination are supplied with power cord, dust cover, eyecups, a spare fuse, Ø 60 mm transparent, black/white stage plates and user manual. All packed in a polystyrene box

STEREOBLUE 1X/3X AND 2X/4X OBJECTIVES

MODELS	Binocular	1x/3x objective	2x/4x objective	Rack & pinion stand 3 W LED	Pillar stand 3 W LED	Weight (kg)
SB.1302	•	•		•		3.3
SB.1302-P	•	•			•	4.2
SB.1402	•		•	•		3.3
SB.1402-P	•		•		•	4.2

STEREOBLUE 0.7X UP TO 4.5X ZOOM/0.5X UP TO 5.5X ZOOM EVO

MODELS	Bino	Trino	0.7 - 4.5x zoom	0.5 - 5.5x zoom EVO	Rack & pinion stand 3 W LED	Pillar stand 3 W LED	Universal stand	Boom stand on heavy base plate	30 LED right light	Weight (kg)
SB.1902	•		•		•					3.6
SB.1902-P	•		•			•				4.4
SB.1902-U	•		•				•			15.4
SB.1902-B	•		•					•		21.9
SB.1903	•	•	•		•					3.7
SB.1903-P	•	•	•			•				4.5
SB.1903-U	•	•	•				•			15.5
SB.1903-B	•	•	•					•		22.0
SB.3903	•	•	•		•				•	3.7
SB.3903-P	•	•	•			•			•	4.5
SB.1702	•			•	•					3.6
SB.1702-P	•			•		•				4.4
SB.1702-U	•			•			•			15.4
SB.1702-B	•			•				•		21.9
SB.1703	•	•	•		•					3.7
SB.1703-P	•	•	•			•				4.5
SB.1703-U	•	•	•				•			15.5
SB.1703-B	•	•	•					•		22.0

ACCESSORIES AND SPARE PARTS

EYEPIECES

- SB.6210** Pair of HWF 10x/21 mm eyepieces
SB.6210-C WF 10X/21 mm eyepiece with crosshairs
SB.6210-M WF 10X/21 mm eyepiece with micrometer scale
SB.6015 Pair of HWF 15x/15 mm eyepieces
SB.6015-C WF 15X/15 mm eyepiece with crosshairs
SB.6015-M WF 15X/15 mm eyepiece with micrometer scale
SB.6020 Pair of HWF 20x/10 mm eyepieces
SB.6020-C WF 20/10 mm eyepiece with crosshairs
SB.6020-M WF 20/10 mm eyepiece with micrometer scale
SB.6099 Pair of eyecups

- SB.9570** Pair of object clamps for stage
SB.9952 Stage plate transparent, Ø 60 mm
SB.9956 Stage plate black/white, Ø 60 mm
SB.9983-R 3 W LED replacement unit, incident illumination
SB.9983 3 W LED replacement unit, transmitted illumination
AE.1112 Micrometer 76 x 26 mm slide, 50 mm/50 divisions

CAMERA ACCESSORIES

- SB.9850** C-mount adapter with 0.5x lens for 1/2" cameras. Only for trinocular models
AE.5130 Universal SLR camera adapter with 2x projection lens for 23.2 mm tubes. Needs T2 adapter
AE.5025 T2 adapter for Nikon D digital SLR cameras
AE.5040 T2 adapter for Canon EOS digital SLR cameras
Other T2 adapters on request

AUXILIARY LENSES

- SB.8903** Auxiliary 0.3x lens for zoom models, WD 247 mm. Only suitable for boom and articulated stands
SB.8905 Auxiliary 0.5x lens for zoom models, WD 169 mm. Not suitable for SB.1X02, -1X03, -3903 and -3903-P
SB.8907 Auxiliary 0.75x lens for zoom models, WD 105 mm
SB.8915 Auxiliary 1.5x lens for zoom models, WD 48 mm. Not suitable for SB.39xx

DISPOSABLES

- PB.5245** Lens cleaning paper, 100 sheets per pack
PB.5274 Isopropyl alcohol 99% (200 ml)
PB.5275 Cleaning kit: lens cleaning fluid, lint free lens tissues, brush, air blower, cotton swabs

POLARIZATION ATTACHMENT

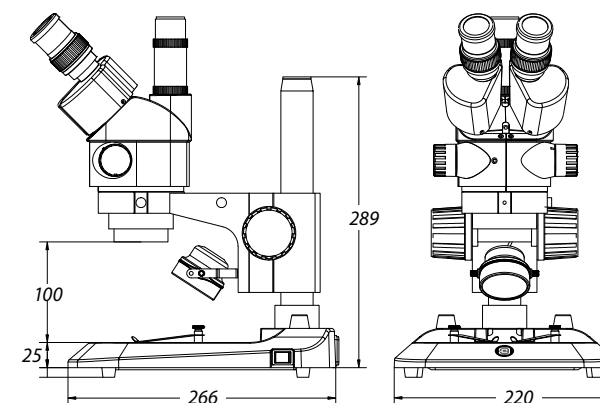
- SB.9520** Polarization kit: 360° rotatable circular stage with built-in polarization filter (SB.9524) + analyzer in mount to be screwed under the head (SB.9525)
SB.9524 360° rotatable circular stage with built-in polarization filter
SB.9525 360° rotatable analyzer in mount to be screwed under the head

MISCELLANEOUS

- SB.8950** Protection glass window
SB.9020 Universal single-arm stand without head holder and without illumination
SB.9030 Universal double-arm stand without head holder and without illumination
SB.9090 Head holder for SB.9020
SB.9045 Fall protection ring for StereoBlue pillars.
 Note: the one- and double arm stands are as a standard supplied with this ring



DIMENSIONS



STEREO MICROSCOPES

NexiusZoom (EVO)

The NexiusZoom and NexiusZoom EVO stereo microscopes allow three-dimensional observation of your specimen, suitable for highly demanding applications. These top level zoom microscopes are perfect for analyzing all kinds of material surfaces or for observing and preparing biological samples

These stereo microscopes are supplied with a large choice of stands, with or without LED illumination. Ideal for a wide variety of applications. With additional lenses and objectives magnifications from 3.3x up to 220x can be achieved



● NZ.1903-S

NZ.1903-S / NZ.1703-S
339 (h) x 256 (w) x 311 mm (d) | 5.1 kg
NZ.1903-P / NZ.1703-P
299 (h) x 256 (w) x 311 mm (d) | 5.2 kg
For weight of other products see table



product information

Bino	Trino	360°	Transmitted	Incident
LED	ESD	Zoom	APL	100-240V
Anti-theft	Warranty			



HIGHLIGHTS

- Binocular and trinocular heads with HWF 10x/22 mm or HWF 10x/23 mm eyepieces
- Zoom ratio 1 : 6.7, 6.7x to 45x or 1 : 8.4, 6.5x to 55x
- Click-stops standard on EVO models
- Ergonomic stands
- Double 3 W LED illuminations
- Configurations up to 220x magnification
- Large working distance (WD)
- 10 Years warranty



● NZ.1903-M

● NZ.1903-PG

SPECIFICATIONS

EYEPIECES

The standard NexiusZoom is supplied with a pair of HWF 10x/22 mm eyepieces. The NexiusZoom EVO is supplied with a pair of HWF 10x/23 mm eyepieces

HEAD

Binocular or trinocular heads with 45° inclined tubes. Both eyepieces have ± 5 diopter adjustments. Interpupillary distance adjustable between 54 mm and 75 mm. Trinocular head is supplied with a fixed light path beam splitter (50:50). The NexiusZoom EVO models are now equipped with click-stops

OBJECTIVES

The standard NexiusZoom is supplied with a 1:6.7 zoom objective with 0.67x to 4.5x magnifications, a field of view from 33 mm to 4.9 mm. Working distance 110 mm

The NexiusZoom EVO is supplied with a 1:8.4 zoom objective with 0.65x to 5.5x magnifications, a field of view from 35.4 mm to 4.2 mm. WD 110 mm

All optics are anti-fungus treated and anti-reflection coated for maximum light throughput

AUXILIARY LENSES

For extra working distances the following auxiliary lenses are available for both the standard NexiusZoom and NexiusZoom EVO: 0.3x, 0.4x, 0.5x, 0.75x, 1.5x and 2.0x. For fields of view and working distances, see table magnifications



● NexiusZoom EVO NZ.5313

POLARIZATION

The NexiusZoom and NexiusZoom EVO can be supplied with an optional 360° rotatable circular stage with built-in polarization filter and/or an optional rotatable analyzer filter in mount to be screwed under the objective

STANDS

- Ergonomic pillar or rack & pinion stand with 3 W incident and 3 W transmitted LED illuminations (-P and -S stands)
- Ergonomic pillar stand with two 3 W goose-neck type incident LED illuminations on each side and a 3 W transmitted LED illumination (-PG stand)
- Ergonomic pillar stand with rotating mirror and 3 W LED transmitted and incident illuminations (-M stand)
- Ergonomic universal or boom stands, without illumination (-U and -B stands)
- Articulated arm stand for table mounting or with heavy desktop base plate, both without head holder, without illumination (-A and -AP stands)
- Lightweight articulated arm stand, with head holder, without illumination (NZ.9047)

All pillar and rack & pinion stands are supplied with two object clamps. Alloy metal cast, hardened coating

STAGE

180 x 155mm mechanical X-Y stage with 76 x 55mm translation stage and transparent glass plate for NexiusZoom, fixed on stage of microscope. Only available with new microscopes - due to fixing - so it has to be ordered with the purchase of a microscope (see accessories)

ILLUMINATION

3 W transmitted and incident LED illuminators with internal power supply 100-240 V. Both illuminators can be used simultaneously and the light intensities can be adjusted separately. The universal single or double arm stands and the articulated stands can be equipped with the ring illuminators LE.1974 and LE.1973 with respectively 72 or 144 power LEDs controlled in segments or with the LE.5212 illumination station, ideal for creating or lifting shades

ANTI-THEFT SLOT

At the back of the microscope a Kensington Security slot is placed, which can be used to secure the instrument from theft (only on th P-, PG- and S-models)

PACKAGE CONTENT

Supplied with power cord, a pair of eyecups, dust cover, a spare fuse and user manual. All packed in a polystyrene box

MAGNIFICATIONS

NexiusZoom: working distance and field of view with standard HWF 10x / 22 high wide field eyepieces

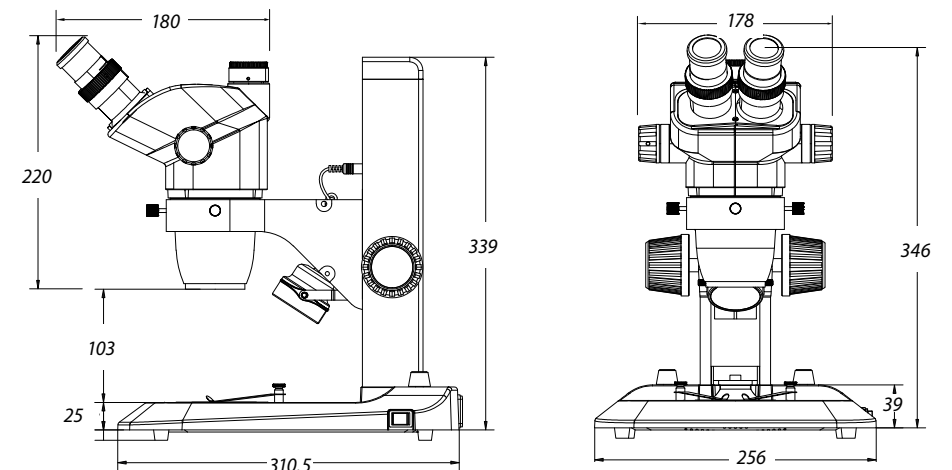
Zoom indication	Auxiliary lens 0.3x WD 287 mm		Auxiliary lens 0.4x WD 220 mm		Auxiliary lens 0.5x WD 183 mm		Auxiliary lens 0.75x WD 105 mm		Without auxiliary lens WD 110 mm		Auxiliary lens 1.5x WD 53 mm		Auxiliary lens 2x WD 34 mm	
	Total mag.	FOV in mm	Total mag.	FOV in mm	Total mag.	FOV in mm	Total mag.	FOV in mm	Total mag.	FOV in mm	Total mag.	FOV in mm	Total mag.	FOV in mm
0.67	2.0	109.5	2.7	82.1	3.35	65.7	5.0	43.8	6.7	32.8	10.1	21.9	13.4	16.4
0.7	2.1	104.8	2.8	78.6	3.5	62.9	5.3	41.9	7.0	31.4	10.5	21.0	14.0	15.7
0.8	2.4	91.7	3.2	68.8	4.0	55.0	6.0	36.7	8.0	27.5	12.0	18.3	16.0	13.8
1.0	3.0	73.3	4.0	55.0	5.0	44.0	7.5	29.3	10.0	22.0	15.0	14.7	20.0	11.0
1.5	4.5	48.9	6.0	36.7	7.5	29.3	11.3	19.6	15.0	14.7	22.5	9.8	30.0	7.3
2.0	6.0	36.7	8.0	27.5	10.0	22.0	15.0	14.7	20.0	11.0	30.0	7.3	40.0	5.5
3.0	9.0	24.4	12.0	18.3	15.0	14.7	22.5	9.8	30.0	7.3	45.0	4.9	60.0	3.7
4.0	12.0	18.3	16.0	13.8	20.0	11.0	30.0	7.3	40.0	5.5	60.0	3.7	80.0	2.8
4.5	13.5	16.3	18.0	12.2	22.5	9.8	33.8	6.5	45.0	4.9	67.5	3.3	90.0	2.4

NexiusZoom EVO: working distance and field of view with standard HWF 10x / 23 high wide field eyepieces

Zoom indication	Auxiliary lens 0.3x WD 287 mm		Auxiliary lens 0.4x WD 220 mm		Auxiliary lens 0.5x WD 183 mm		Auxiliary lens 0.75x WD 105 mm		Without auxiliary lens WD 110 mm		Auxiliary lens 1.5x WD 53 mm		Auxiliary lens 2x WD 34 mm	
	Total mag.	FOV in mm	Total mag.	FOV in mm	Total mag.	FOV in mm	Total mag.	FOV in mm	Total mag.	FOV in mm	Total mag.	FOV in mm	Total mag.	FOV in mm
0.65	1.95	117.9	2.6	88.5	3.25	70.8	4.9	47.2	6.5	35.4	9.8	23.6	13.0	17.7
1.0	3.0	76.7	4.0	57.5	5.0	46.0	7.5	30.7	10.0	23.0	15.0	15.3	20.0	11.5
1.5	4.5	51.1	6.0	38.3	7.5	30.7	11.3	20.4	15.0	15.3	22.5	10.2	30.0	7.7
2.0	6.0	38.3	8.0	28.8	10.0	23.0	15.0	15.3	20.0	11.5	30.0	7.7	40.0	5.8
2.5	7.5	30.7	10.0	23.0	12.5	18.4	18.8	12.3	25.0	9.2	37.5	6.1	50.0	4.6
3.0	9.0	25.6	12.0	19.2	15.0	15.3	22.5	10.2	30.0	7.7	45.0	5.1	60.0	3.8
3.5	10.5	21.9	14.0	16.4	17.5	13.1	26.3	8.8	35.0	6.6	52.5	4.4	70.0	3.3
4.0	12.0	19.2	16.0	14.4	20.0	11.5	30.0	7.7	40.0	5.8	60.0	3.8	80.0	2.9
4.5	13.5	17.0	18.0	12.8	22.5	10.2	33.8	6.8	45.0	5.1	67.5	3.4	90.0	2.6
5.0	15.0	15.3	20.0	11.5	25.0	9.2	37.5	6.1	50.0	4.6	75.0	3.1	100.0	2.3
5.5	16.5	13.9	22.0	10.5	27.5	8.4	41.3	5.6	55.0	4.2	82.5	2.8	110.0	2.1

WD = working distance, FoV = Field of view, Total mag. = total magnification

DIMENSIONS



● NZ.1902-S



● NZ.1902-P

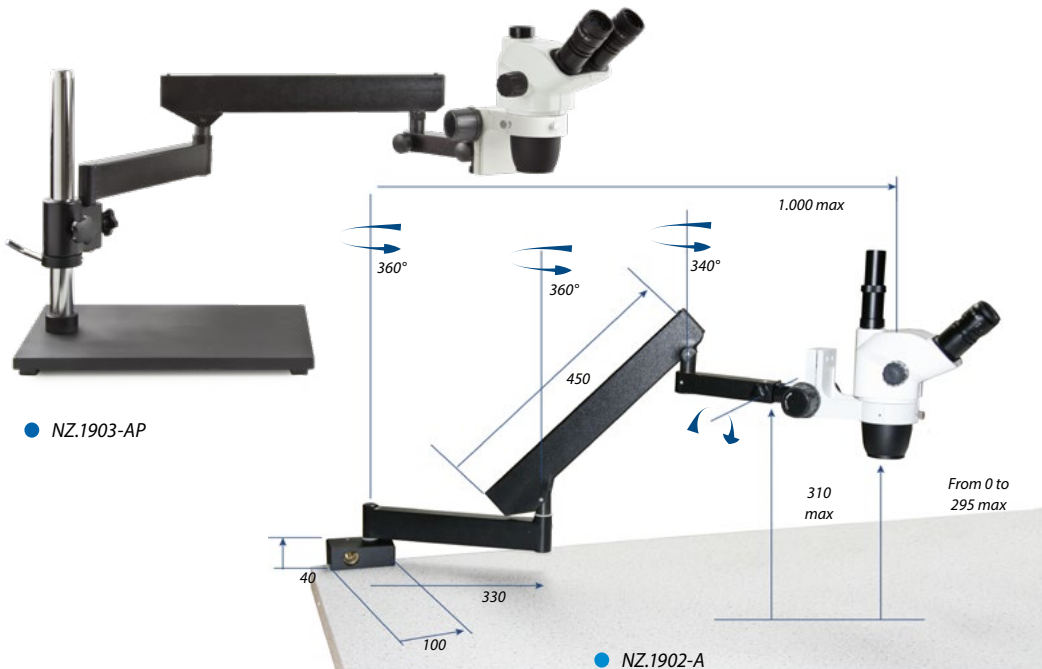


● NZ.1902-U

● NZ.1903-B



● NZ.9047



● NZ.1903-AP

● NZ.1902-A

NEXIUSZOOM 0.67-4.5 (WF 10X/22MM)

MODELS	Bino	Trino	Pillar stand	Rack & pinion stand	Universal stand	Boom stand on heavy base plate	Articulated arm stand on table clamp	Articulated arm stand on heavy base plate	Gooseneck dual LED	Mirror LED	Weight (kg)
NZ.1902-P	•		•								5.0
NZ.1902-PG	•		•						•		5.1
NZ.1902-S	•			•							4.9
NZ.1902-U	•				•						15.6
NZ.1902-B	•					•					22.1
NZ.1902-A	•						•				8.6
NZ.1902-AP	•							•			20.7
NZ.1903-P		•	•								5.2
NZ.1903-PG		•	•						•		5.3
NZ.1903-M		•	•							•	5.1
NZ.1903-S		•		•							5.1
NZ.1903-U		•			•						15.7
NZ.1903-B		•				•					22.2
NZ.1903-A		•					•				8.7
NZ.1903-AP		•						•			20.8

NEXIUSZOOM EVO 0.65-5.5 (WF 10X/23MM)

MODELS	Bino	Trino	Pillar stand	Rack & pinion stand	Universal stand	Boom stand on heavy base plate	Articulated arm stand on table clamp	Articulated arm stand on heavy base plate	Gooseneck dual LED	Mirror LED	Weight (kg)
NZ.1702-P	•		•								5.0
NZ.1702-PG	•		•						•		5.1
NZ.1702-M	•		•							•	4.9
NZ.1702-S	•			•							4.9
NZ.1702-U	•				•						15.6
NZ.1702-B	•					•					22.1
NZ.1702-A	•						•				8.6
NZ.1702-AP	•							•			20.7
NZ.1703-P		•	•								5.2
NZ.1703-PG		•	•						•		5.3
NZ.1703-M		•	•							•	5.1
NZ.1703-S		•		•							5.1
NZ.1703-U		•			•						15.7
NZ.1703-B		•				•					22.2
NZ.1703-A		•					•				8.7
NZ.1703-AP		•						•			20.8

The NexusZoom EVO models are now equipped with click-stops

ACCESSORIES AND SPARE PARTS

HEADS & EYEPIECES

- NZ.5302** NZ binocular head 0.67-4.5x*
- NZ.5303** NZ trinocular head 0.67-4.5x*
- NZ.5312** NZ EVO binocular head 0.65-5.5x*
- NZ.5313** NZ EVO trinocular head 0.65-5.5x*

*without head holder

- NZ.6010** Pair of HWF 10x/22 mm eyepieces
- NZ.6010-C** HWF 10x/22 mm eyepiece only with crosshairs
- NZ.6010-CM** HWF 10/22 mm eyepiece only with 10/100 micrometer and crosshairs
- NZ.6015** Pair of HWF 15x/16 mm eyepieces for NZ
- NZ.6020** Pair of HWF 20x/12 mm eyepieces for NZ
- NZ.6099** Pair of eyecups for NZ
- NZ.6210** Pair of HWF 10x/23 mm eyepieces for NZ EVO
- NZ.6210-C** HWF 10x/23 mm eyepiece only with crosshairs for NZ EVO
- NZ.6210-CM** HWF 10x/23 mm eyepiece only with 10/100 micrometer and crosshairs for NZ EVO
- NZ.6020-CM** HWF 20x/12 mm eyepieces with 10/100 micrometer and crosshairs

AUXILIARY LENSES

- NZ.8903** Additional 0.3x lens for NZ. WD 287 mm. Only suitable for A, AP, U, B and BC stands
- NZ.8904** Additional 0.4x lens for NZ. WD 220 mm. Only suitable for A, AP, U, B and BC stands
- NZ.8905** Additional 0.5x lens for NZ. WD 183 mm. Not suitable for S stands
- NZ.8907** Additional 0.75x lens for NZ. WD 105 mm
- NZ.8915** Additional 1.5x lens for NZ. WD 53 mm
- NZ.8920** Additional 2.0 lens for NZ. WD 34 mm. Not suitable for S stands

STANDS

- NZ.9000** Ergo pillar stand without illumination. Height 35 cm
- NZ.9005** Ergo pillar stand with adjustable transmitted 3 W LED illumination. Height 35 cm
- NZ.9010** Ergo rack & pinion stand with incident and transmitted 3 W LED illuminators
- NZ.9015** Ergo pillar stand with incident and transmitted 3 W LED illuminators
- NZ.9018** Ergonomic pillar stand with two 3 W gooseneck type incident LED illuminations on each side and a 3 W transmitted LED illumination
- NZ.9020** Universal one-arm stand without NZ head holder
- NZ.9025** Black universal stand with table clamp without NZ head holder
- NZ.9027** Black universal stand with heavy baseplate without NZ head holder
- NZ.9030** Universal double-arm boom stand without NZ head holder
- NZ.9032** Universal two-arm stand with table clamp without NZ head holder
- NZ.9042** Stand with rotating mirror and indirect transmitted LED illumination
- NZ.9047** Lightweight articulated arm stand, with head holder, without illumination



● NZ.8903 ● NZ.8904 ● NZ.8905 ● NZ.8907 ● NZ.8915 ● NZ.8920

HEAD HOLDERS

- NZ.9081** Head 76 mm holder for NexiusZoom head on articulated arm stand NZ.9025 and NZ.9027
- NZ.9090** Head holder, suitable for NZ.9000/9005/9015/9017/9020/9030 stands
- NZ.9095** Head holder with fine and coarse adjustment. For NZ.9000/9005/9015/9018/9020/9030/9032 and NZ.9042 stands



● NZ.9095

ILLUMINATION

- LE.5207** Multi-functional dual 3 W LED adjustable light source. Equipped with two flexible gooseneck arms with LED illuminator
- LE.5212** Euromex illumination station with two independently controlled goosenecks, a ringlight and a transmitted stage illuminator (see photos on next page)
- LE.5260** Interchangeable high power (standard) white 6500K light guide for NZ.9018 / LE.5207 / LE.5212, 1 piece
- LE.5261** Interchangeable high power 365 nm flexible arm for NZ.9018/LE.5207/LE.5212, 1 piece
- LE.5262** Interchangeable high power 395 nm flexible arm for NZ.9018/LE.5207/LE.5212, 1 piece
- LE.5263** Interchangeable high power 420 nm flexible arm for NZ.9018/LE.5207/LE.5212, 1 piece
- LE.1974** Ring illuminator with 72 LEDs with adjustable light intensity. External power supply 110-240 Vac / 12 Vdc (50/60 Hz). With segment controller. Brightness of 20,000 Lux at 100 mm distance and color temperature of 6,500 K. Mounting for stereo head with diameter from 25 to 61 mm

- LE.1973** Ring illuminator with 144 LEDs with adjustable light intensity. External power supply 100-240 Vac / 12 Vdc (50/60 Hz). With segment controller. Brightness of 23,000 Lux at 100 mm distance and color temperature of 6,500 K. Mounting for stereo head with diameter from 25 to 61 mm
- LE.5210** Euromex cold light illuminator EK-1, 100 W. 110V and 230V models available
- LE.5211** Euromex cold light illuminator, 150 W halogen. 110 V and 230 V models available
- LE.5211-LED** Euromex cold light illuminator LED, 30W high power LED
- LE.5214** Dual arm light conductor, gooseneck self-sustaining, 50 cm long, 4 mm diameter core
- LE.5215** Triple arm light conductor, gooseneck self-sustaining, 50 cm long, 4 mm diameter core
- LE.5222** Focusing head suitable for focusing lens LE.5214 and LE.5215. Needs LE.5224
- LE.5224** Aspherical focusing lens for mounting in LE.5222

More illumination options, see chapter 9

STAGES

- NZ.9505** Mechanical 180 x 155 mm X-Y stage with 75 x 55 mm translation and transparent glass plate
- NZ.9524** 360° rotatable circular stage
- NZ.9525** 360° rotatable analyzer in mount to be screwed under head of NZ
- AE.5168-NZ** Heating stage for NZ microscope stage

CAMERA ACCESSORIES

- NZ.9850** C-mount adapter with 0.5x lens for 1/2 inch cameras
- AE.5130** Universal SLR adapter with built-in 2x lens for standard 23.2 mm tube. Needs T2 adapter
- AE.5025** T2 adapter for Nikon D SLR digital camera
- AE.5040** T2 adapter for Canon EOS SLR digital camera

MISCELLANEOUS

- NZ.8950** Protection glass window for NZ
- NZ.9520** Polarization kit for NZ: 360° rotatable circular stage with built-in polarization filter (NZ.9524) + analyzer in mount to be screwed under head (NZ.9525)
- NZ.9040** Darkfield attachment for NZ
- NZ.9045** Fall protection ring for NexiusZoom pillars.
Note: the one- and double arm stands are as a standard supplied with this ring
- NZ.9570** Pair of object clamps for standard stage
- NZ.9572** Adjustable GEM object clamp for P, PL and S stand of NZ
- NZ.9950** Standard plexiglass object plate, opaque, with black border
- NZ.9956** Pair of object stage plates (black/white) Ø 90 mm
- NZ.9958** Standard glass object plate, opaque
- NZ.9983-R** 3 W LED replacement unit for NZ, incident illumination
- NZ.9983** 3 W LED replacement unit for NZ, transmitted illumination
- AE.1112** Micrometer 76 x 26 mm slide, 50 mm/500 divisions, 100 µm per division
- NZ.4300** Aluminium case for NexiusZoom microscopes with -P/-S/-PG stands

DISPOSABLES

- PB.5245** Lens cleaning paper, 100 sheets per pack
- PB.5274** Isopropyl alcohol 99%, 200 ml
- PB.5275** Cleaning kit: lens fluid, lint free lens tissues/ paper, brush, air blower, cotton swabs
- PB.5276** Microscope maintenance and servicing kit, 16 pieces: cleaning brush, screwdriver set of 6, air blower, 3 Allen keys, 1.5, 2, 2.5 mm, lens cleaning fluid 20 ml, cleaning cloth 140 x 140 mm, 100 lens tissue sheets, tube of maintenance grease, 10 ml bottle of oil, packed in a nice toolbox

NZ = NexiusZoom

WD = working distance



● NZ.9505



● The LE.5212 in two different configurations

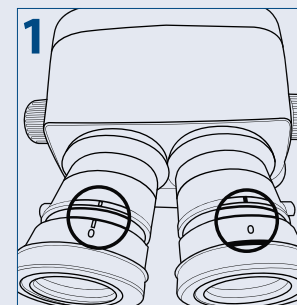


euromex.academy

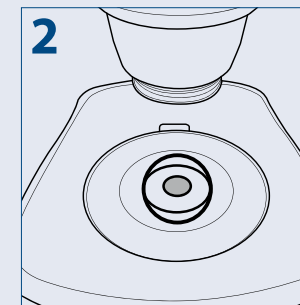


how to set up a stereo microscope

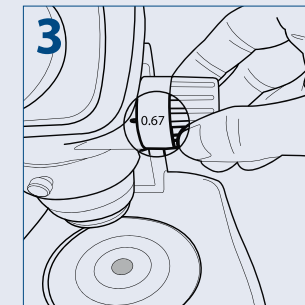
Setting up your stereo microscope properly is essential to getting parfocal images during the entire zoom range. It also prevents head aches, stressful eyes and fatigue. Below you will find a setup guide that will help get the best out of your microscope



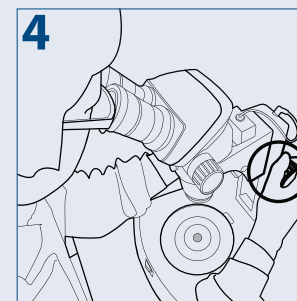
Turn the diopter adjustment rings of both eyepieces to position 0"



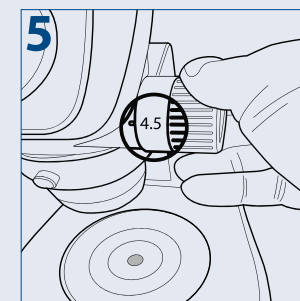
Put a specimen on the stage plate



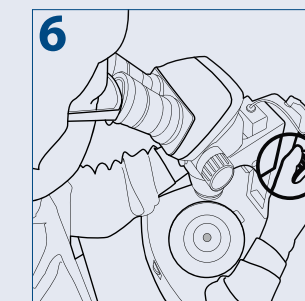
Turn the zoom adjustment knob to the lowest magnification



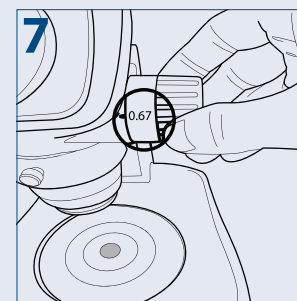
Rotate the focus adjustment knob to bring the specimen into focus



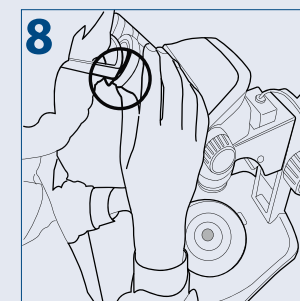
Turn the zoom adjustment knob to the highest magnification



Rotate the focus adjustment knob to bring the specimen into focus



Turn the zoom adjustment knob to the lowest magnification



Rotate the diopter adjustment rings of the left and right eyepiece to bring the specimen into focus

PLEASE NOTE

Put the zoom adjustment knob at the highest magnification again and check the image focusing. The diopter adjustment is complete when the image is accurately focused during zooming

If not, please repeat steps 3 to 8

STEREO MICROSCOPES

UltraZoom

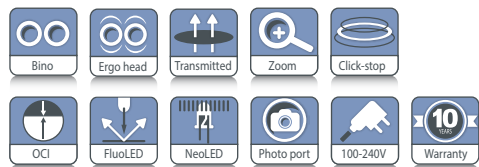
UltraZoom

High-end zoom microscope

The Euromex UltraZoom series combines ergonomic design, advanced optics and flexibility, making it an indispensable tool for researchers and industrial professionals alike. Experience unmatched precision and comfort with this innovative industrial zoom microscope

Oblique Contrast Illumination

The Oblique Contrast Illumination (OCI) feature on a stereo microscope is a must for unstained, highly transparent specimen. By directing light at an angle, oblique illumination accentuates edges and fine details that are otherwise hard to see under standard brightfield. Shadows created by angled lighting give structures a sense of depth, making it easier to interpret the topology and shape of specimens like cells or tissues



● UZ.1803



● Oblique Contrast Illumination

UZ.1803	469 (h) x 295 (w) x 365 mm (d) 12.6 kg
UZ.1808	503 (h) x 295 (w) x 365 mm (d) 12.8 kg

HIGHLIGHTS

- Ergonomic tilting head from 0 to 30°
- Binocular 20° head
- Swiveling eyepiece tubes for two heights
- EWF 10x/23 mm eyepieces
- Plan-apo lens for superb imaging
- Fine and coarse focus controls
- Zoom Ratio: 1:18
- Magnification 7.5 to 135x
- Oblique Contrast Illumination
- Transmitted 8 W LED illumination
- Fluorescence attachment available
- 10 years warranty



● Ergo head (UZ.1808)

SPECIFICATIONS

EYEPIECES

Pair of EWF 10x/23 mm eyepieces

HEAD

- Ergonomic 0-30° tilting head or binocular 20° head
- Diopter ± 5 adjustment on both eyepieces and interpupillary distance from 55 to 75 mm
- Both heads have a photo port with 1x c-mount for 1" cameras

CENTRAL ZOOM UNIT

Zoom ratio 1:18 for total magnifications from 0.75 to 13.5x

COMMON MAIN OBJECTIVE

As a standard supplied with a 1x plan apochromatic Common Main Objective, working distance 60 mm
The objective has an anti-reflection coating for maximum light throughput and is anti-fungus treated

STAND

- Large ergonomic stand with 180 mm object plate
- Oblique Contrast Illumination slider
- Coaxial coarse and fine adjustment
- Internal 100-240 Vac power supply

ILLUMINATION

Supplied with 8 W NeoLED™ transmitted and *Oblique Contrast Illumination* built-in 100-240 V power supply

MAGNIFICATIONS

Objective with 60 mm working distance, standard outfit

Zoom indication	Total magnification	Field of view
0.75x	7.5x	3.07
1.0x	10x	2.3
2.0x	20x	1.15
3.0x	30x	0.77
6.0x	60x	0.38
10.0x	100x	0.23
13.5x	135x	0.17

OBLIQUE CONTRAST ILLUMINATION

Oblique illumination enables the specimen to be illuminated from one side only (off-axis) by having the light source titled or directed from an oblique angle or from the side. Only diffracted light on a single side is admitted to the objective and, because of the obliquity of illumination, diffracted light on the other side misses the objective altogether. As a result, details in pseudo-relief from an otherwise almost invisible colorless specimen are than revealed

PACKAGE CONTENT

Supplied with power cord, dust cover, tools and user manual
 All packed in sturdy box

FLUORESCENCE

UZ.9200-NF

Epi-fluorescence attachment

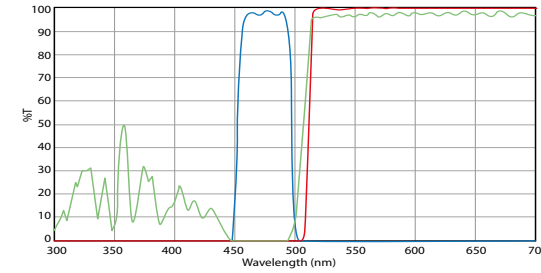
- With fiber light guide
- UV shield
- 4 LEDs for fluorescence light source
- Power supply
- Without filter sets and without filter blocks. Each installed filter set needs an empty block (UZ.9749). Each position without filter set needs to be filled up with a UV.9749-BF1 or UV.9750-BF2
- The attachment weighs 2 kg

- UZ.1803 in combination with the Epi-fluorescence attachment UZ.9200-NF

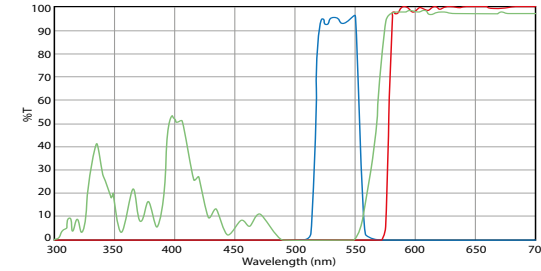


FLUORESCENCE ACCESSORIES

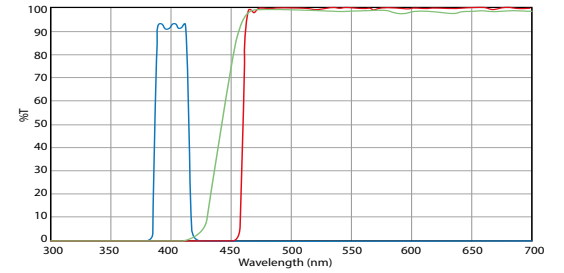
- UZ.9745** Fluorescence filter set for Blue excitation
EX: 460-495 nm DM 505 EM: 510 nm (LP)
- UZ.9746** Fluorescence filter set for Green excitation
EX: 510-550 nm DM 570 EM: 575 nm (LP)
- UZ.9747** Fluorescence filter set for Violet excitation
EX: 400-410 nm DM 455 EM: 460 nm (LP)
- UZ.9748** Fluorescence filter set for UV excitation
EX: 330-385 nm DM 410 EM: 420 nm (LP)
- UZ.9750-FITC** Fluorescence filter set for FITC excitation
EX: 460-495 nm DM 505 EM: 510-550 nm (BP)
- UZ.9750-TRITC** Fluorescence filter set for Green excitation
EX: 528-553 nm DM 565 EM: 578-633 nm (BP)
- UZ.9749** Empty cube for fluorescence filter sets
- UZ.9749-BF1** Empty cube for fluorescence filter sets
- UZ.9749-BF2** Empty cube for fluorescence filter sets



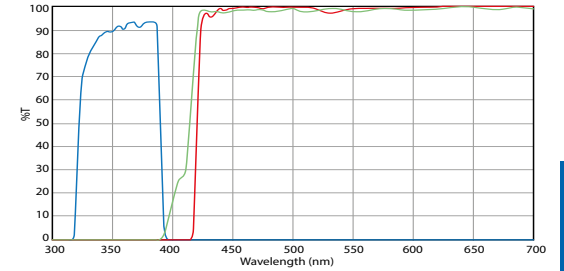
UZ.9745



UZ.9746



UZ.9747

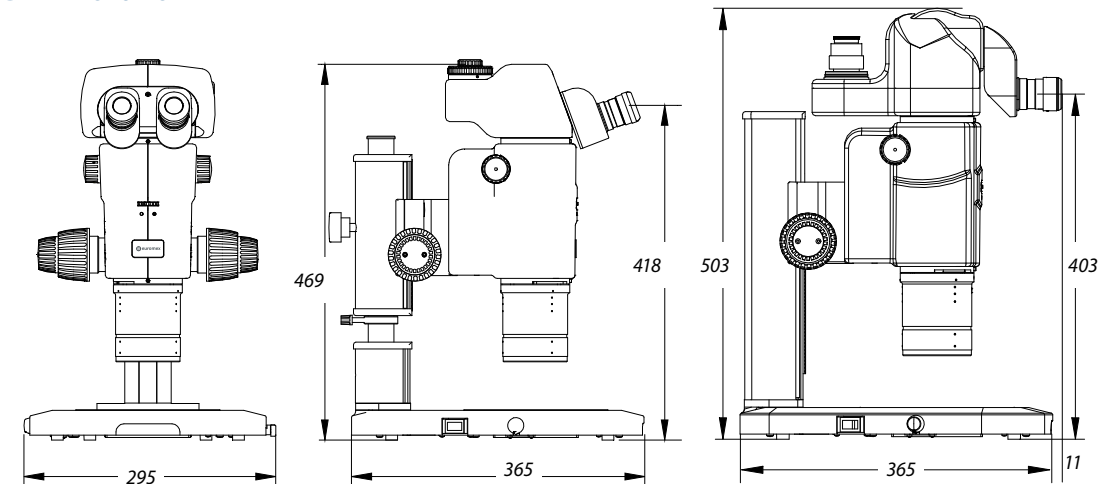


UZ.9748

ACCESSORIES AND SPARE PARTS

- UZ.6010** Eyepiece SWF 10x/23 mm (1 piece)
- UZ.6010-C** Eyepiece SWF 10x/23 mm (1 piece) with cross hair
- UZ.6015** Eyepiece WF 15x/16 mm (1 piece)
- UZ.6020** Eyepiece WF 15x/16 mm (1 piece)
- LE.1979** LED ringlight

DIMENSIONS



UZ.1803

UZ.1808

STEREO MICROSCOPES

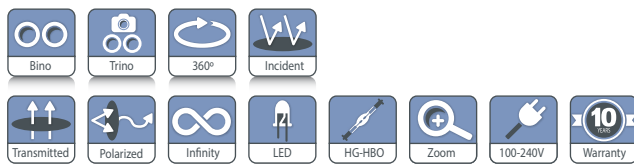
DZ series

The modular stereo microscopes of the DZ series combine ergonomics with very high resolution optics. Either standard versions or customized models are available thanks to the large choice of central zoom units, eyepieces, stands and accessories

A fluorescence illumination unit enables scientific research such as for studies of vertebrate development and gene function, teratology, genetics and environmental sciences



product information



- Customized configuration model
DZ.0800, 2x DZ.3010, DZ.2025, DZ.4010 and DZ.5040



DZ.1100 / DZ.1600 / DZ.1800
305 (h) x 330 (w) x 285 (d) mm | 6.0 kg
DZ.1105 / DZ.1605 / DZ.1805
444 (h) x 330 (w) x 285 (d) mm | 5.2 kg
For weight of other products see table 'Models'

HIGHLIGHTS

- Binocular and trinocular models
- Six standard configurations or customized configuration
- Ergonomic tilting head from 0° to 35° tilting or fixed 20° inclined head, EWF 10x/22mm eyepieces,
- Three central zoom units from 4x to 320x
- Fields of view from 55 mm to 1.4 mm
- Working distances from 126 mm to 33 mm
- Ergonomic rack & pinion stands, universal stand or articulated arm stand
- Transmitted and incident LED illumination
- 100 W Epi-fluorescence mercury vapor illuminator
- 10 Years warranty

SPECIFICATIONS

EYEPIECES

Pair of EWF 10x/22 mm eyepieces

HEAD

- Ergonomic binocular 0-35° tilting head
- Binocular 20° tilted head
- Diopter ± 5 adjustment on both eyepieces
- Interpupillary distance from 55 to 75 mm
- Photo ports for one or two cameras
- Click-stops

CENTRAL ZOOM UNIT

Three central zoom units are available:

- 1:6.3 for total magnifications from 8 to 50x
- 1:8 for total magnifications from 8 to 64x
- 1:10 for total magnifications from 8 to 80x

COMMON MAIN OBJECTIVE

Standard configurations are supplied with a plan apochromatic common main objective (CMO) 1x, working distance 78 mm. Other plan apochromatic common main objectives 0.5x (WD 126 mm) and 2x (WD 33 mm) are also available



- Customized specification fluorescence model

All optics have an anti-reflection coating for maximum light throughput and are anti-fungus treated

STAND

Large ergonomic stand with Ø 100 mm object plate and two object clamps. Coarse adjustment with adjustable friction. A universal stand and an articulated arm stand without illumination are also available for configurations built to customer's specifications

ILLUMINATION

The transmitted and incident 3 W LED illuminations are supplied with a built-in 100-240 V power supply. Both illuminators can be used simultaneously and the light intensities can be adjusted separately

PACKAGE CONTENT

Supplied with power cord, dust cover, a spare fuse and user manual. All packed in a polystyrene box

STANDARD CONFIGURATIONS

All six standard configurations are equipped with EWF 10x/22mm eyepieces, plan achromatic common main objective (CMO) 1x and rack & pinion stand with incident and transmitted LED illumination

DZ SERIES STANDARD

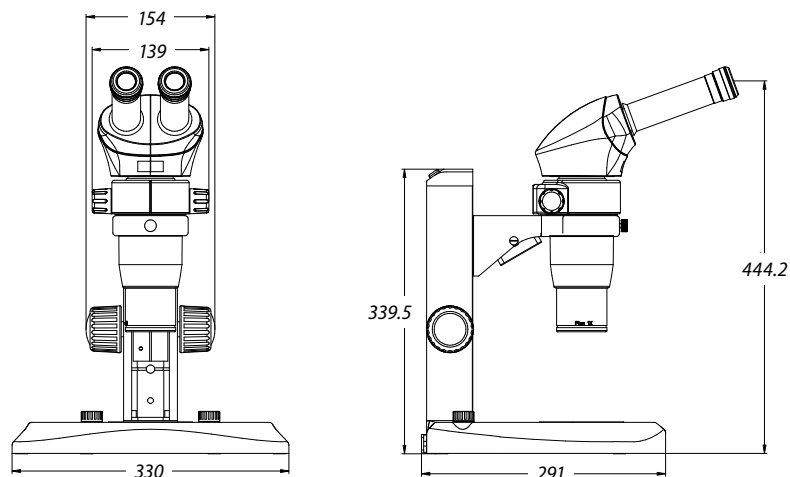
MODELS	Binocular 20° head	Binocular ergo 0 to 35° tilting	Magnifications from 8 to 50x	Magnifications from 8 to 64x	Magnifications from 8 to 80x
DZ.1100		•			•
DZ.1105	•				•
DZ.1800		•		•	
DZ.1805	•			•	
DZ.1600		•	•		
DZ.1605	•		•		

All equipped with EWF 10x/22mm eyepieces

MAGNIFICATIONS AND FIELDS OF VIEW FOR STANDARD CONFIGURATIONS

MODELS	Zoom indication	0.5x Objective WD 126 mm		1.0x Objective WD 78 mm		2.0x Objective WD 33 mm	
		Total magnification	Field of view	Total magnification	Field of view	Total magnification	Field of view
DZ.1100 / DZ.1105 DZ.1800 / DZ.1805 DZ.1600 / DZ.1605	0.8x	4x	55	8x	27.5	16x	13.7
	1.0x	5x	44	10x	22	20x	11
	1.5x	7.5x	29.3	15x	14.6	30x	7.3
	2.0x	10x	22	20x	11	40x	5.5
	3.0x	15x	14.6	30x	7.3	60x	3.6
	4.0x	20x	11	40x	5.5	80x	2.7
	5.0x	25x	8.8	50x	4.4	100x	2.2
	6.0x	30x	7.3	60x	3.6	120x	1.8
	6.4x	32x	6.8	64x	3.4	128x	1.7
	7.0x	35x	6.3	70x	3.1	140x	1.5
	8.0x	40x	5.5	80x	2.75	160x	1.4

DIMENSIONS



BUILD YOUR OWN STEREO MICROSCOPE

A customized DZ series stereo microscope can be configured to customer's specifications by choosing one of the three central zoom units DZ.0630, DZ.0800 or DZ.1000 and adding the necessary components for the application. A pair of eyepieces, an ergonomic 0 to 35° tilting head or fixed 20° inclined head, a 0.5x, 1x or 2x common main objective (CMO), a large ergonomic LED stand, a universal or an articulated arm stand. Other accessories, such as a photo/camera unit or dual iris diaphragm, can complete the configuration

CENTRAL ZOOM UNITS

- DZ.0630** Central zoom unit 1:6.3 with magnifications from 8 to 50 times
- DZ.0800** Central zoom unit 1:8 with magnifications from 8 to 64 times
- DZ.1000** Central zoom unit 1:10 with magnifications from 8 to 80 times

- DZ.4020** Plan apochromatic common main objective 2.0x. WD 33 mm

All optics are anti-fungus treated and anti-reflection coated for maximum light throughput

HEADS

- DZ.2020** Ergonomic binocular 0-35° tilting head without eyepieces
- DZ.2025** Binocular 20° tilted head without eyepieces Interpupillary distance from 55 to 75 mm

STANDS

- DZ.5020** Universal stand without illumination. Dimensions 460(h) x 280 (l) x 400 (d) mm
- DZ.5040** Ergonomic stand with transmitted and incident LED illumination. Coaxial coarse and fine adjustments, 100 graduations, 0.015 mm per graduations

EYEPIECES

- DZ.3010** EWF 10x/22 eyepiece, 1 piece
- DZ.3012** EWF 10x/22 eyepiece with micrometer and crosshairs, 1 piece
- DZ.3015** WF 15x/16 eyepiece, 1 piece
- DZ.3020** WF 20x/12 eyepiece, 1 piece



- Eyepieces

IRIS DIAPHRAGMS

- DZ.9010** Double iris diaphragms for increased depth of field

- 65.980** Articulated arm stand for mounting on table without head holder (65.981)
- 65.981** Head holder 76 mm for DZ series and black articulated arm stand (65.980)
- NZ.9025** Articulated arm stand with table clamp (without DZ head holder 65.981)
- NZ.9027** Articulated arm stand with heavy stand (without DZ head holder 65.981)
- NZ.9042** Stand with rotating mirror and transmitted LED illumination
- NZ.9030** Boom (double arm) stand with heavy stand (without head holder NZ.9090)
- NZ.9032** Boom (double arm) stand with table clamp (without head holder NZ.9090)
- NZ.9090** Head holder, suitable for NZ.9000/9005/9015/9017/9020/9030 stands

OBJECTIVES

- DZ.4003** Plan common main objective 0.3x. WD 276 mm
- DZ.4005** Plan apochromatic common main objective 0.5x. WD 126 mm
- DZ.4010** Plan apochromatic common main objective 1.0x. WD 78 mm

FLUORESCENCE ATTACHMENT

- DZ.9050** Attachment for fluorescence with 100 W mercury vapor illumination with GFP-B and GFP-LP filter sets and one 23.2 mm photo port. Supplied with power supply

- DZ.9060** Filter cube with GFP-B band-pass filter set for blue excitation, EX 460-500, DM 505, EM 510-560
- DZ.9061** Filter cube with GFP-L long-pass filter set for Blue excitation, EX 460-500, DM 505, EM 510
- DZ.9049** Empty filter cube

Other premium and premium zero-pixel shift optimized filter sets are also available on request. See end of chapter 5

- customized configuration model DZ.0800, 2x DZ.3010, DZ.2025, DZ.9005, DZ.9010, DZ.4010 and DZ.5040



ACCESSORIES/SPARE PARTS

POLARIZATION ATTACHMENTS

- DZ.9045** Polarizer, 360° rotatable, to be mounted on common main objectives of DZ series
- DZ.9047** Polarizer, 360° rotatable, to be placed on the stage

CAMERA ACCESSORIES

- DZ.9005** Photo port attachment with one 23.2 mm tube
- DZ.9007** Photo port attachment with two 23.2 mm tubes
- DZ.9013** C-mount 1x objective for insertion into photo port attachments
- AE.5130** Universal SLR camera adapter with 2x projection lens for 23.2 mm tubes. Needs T2 adapter
- AE.5025** T2 adapter for Nikon D digital SLR cameras
- AE.5040** T2 adapter for Canon EOS digital SLR cameras
- AE.5063** 0.7x Objective with C-mount. To be mounted over a 23.2 mm tube of a Z-, M-, F-series

Other T2 adapters on request

MISCELLANEOUS

- DZ.9020** Large 185 x 145 mm stage with mechanical X-Y 50 x 50 mm stage, to be moved by hand
- DZ.9040** Darkfield attachment for DZ.5040
- AE.1112** Micrometer slide, 50 mm/50 divisions
- AE.1900** Glass object plate, Ø 100 mm
- AE.1903** Acrylic white/black object plate
- 50.875** Adjustable GEM clamp
- SL.5520** LED replacement for incident LED illumination of DZ.5040 stand

DISPOSABLES

- AE.1385** 100 W HBO mercury vapor bulb for fluorescence
- PB.5245** Lens cleaning paper, 100 sheets per pack
- PB.5274** Isopropyl alcohol 99% (200 ml)
- PB.5275** Cleaning kit: lens cleaning fluid, lint free lens tissues, brush, air blower, cotton swabs



- DZ.2020, ergonomic binocular tilting head

STEREO MICROSCOPES

Z series

Z series












These versatile high-end stereo microscopes are highly appreciated by the professionals of life science research and industry because of the excellent optical and mechanical characteristics of this series



• ZE.1624 and ST.1735



product information

 Bino	 Trino							
 360°	 Incident	 Transmitted	 Polarized	 LED	 Halogen	 Zoom	 100-240V	 10 Year Warranty

HEAD + STAND ST.1735
550 (h) x 160 (w) x 240 mm (d) | 4,5 kg

HIGHLIGHTS

- Modular system
- Binocular and trinocular models
- Standard HWF 10x/23 mm eyepieces
- Stereo zoom heads with a fixed 45° inclined tubes
- Zoom magnification objectives
- Superior resolution optics
- Multiple stands
- 10 Years warranty

SPECIFICATIONS

EYEPIECES

Pair of SWF 10x/23 mm eyepieces

HEAD

- Binocular or trinocular heads with a 45° inclined tubes
- Diopter ± 6° adjustment on both tubes for Z series
Interpupillary distance from 55 to 75 mm
- Optional click-stops

ZOOM MAGNIFICATION OBJECTIVES

- Zoom objective with magnifications from 0.4x to 2.5x
- Zoom objective with magnifications from 0.7x to 4.5x
- Zoom objective with magnifications from 1x to 7x

*Zoom objectives with click stops are also available on request
All optics have an anti-reflection coating for maximum light throughput and are anti-fungus treated*



• ZE.1657 - ST.1710

STANDS WITHOUT ILLUMINATION

- ST.1710** Pillar stand with ST.1790 head holder.
Pillar height 210 mm, diameter Ø 20 mm
Dimensions 250 (h) x 150 (w) x 240 mm (d)
- ST.1718** Pillar ergonomically flat stand with ST.1790 head holder.
Pillar height 213 mm, diameter Ø 20 mm.
Dimensions 258 (h) x 330 (w) x 306 (d)

STAND WITH ILLUMINATION

- St.1735** LED stand with rotating mirror.
Pillar 240 x 160 x 60 mm (L x W x H) stand with head holder for height adjustment.
Rotatable mirror for oblique LED illumination

Stand with 3 W LED illumination and rotatable double-sided coated mirror



BOOM STANDS

- ST.1720** Articulated one arm boom stand with a 270 x 270 mm base, 610 mm and Ø 29 mm pillar, with orientable stereo head holder ST.1794. Vertical post 780 mm. Weight 19.5 kg
- 65.980** Articulated one arm stand to be mounted on table without 83 mm head holder. Depth positioning of stereo head between 33 and 100 cm. WD between 0 and a maximum of 295 mm
- 65.983** Head holder 85 mm diameter for 65.980

HEAD HOLDERS

Other optional head holders for boom stands

- ST.1790** Head holder with coarse adjustment*
- ST.1796** Head holder with coarse and fine adjustment*
- ST.1794** Orientable head holder with coarse adjustment and opening for one fiber light guide**

* Not suitable for boom stands ST.1720 and 65.980/65.983

** Only suitable for boom stand ST.1720

All head holders have an internal diameter of 84 mm and a friction adjustment

FOCUSING

Coarse adjustment and friction adjustment for head holders for ST.1790, ST.1794, ST.1796. The head holders ST.1796 is also equipped with a fine focusing adjustment

PACKAGE CONTENT

Models with illumination are supplied with power cord, dust cover, a spare fuse and user manual. All packed in a polystyrene box



● ST.1718

ZOOM STEREO HEADS

MODELS	Binocular	Trinocular	Tilt tubes	Objective zoom	Magnification	WD (mm)	Field of view (mm)
ZE.1624	•		45°	0.7 - 4.5x	7 - 45x	93	32/5.1
ZE.1654		•	45°	0.7 - 4.5x	7 - 45x	93	32/5.1
ZE.1657		•*	45°	0.7 - 4.5x	7 - 45x	104	32/5.1

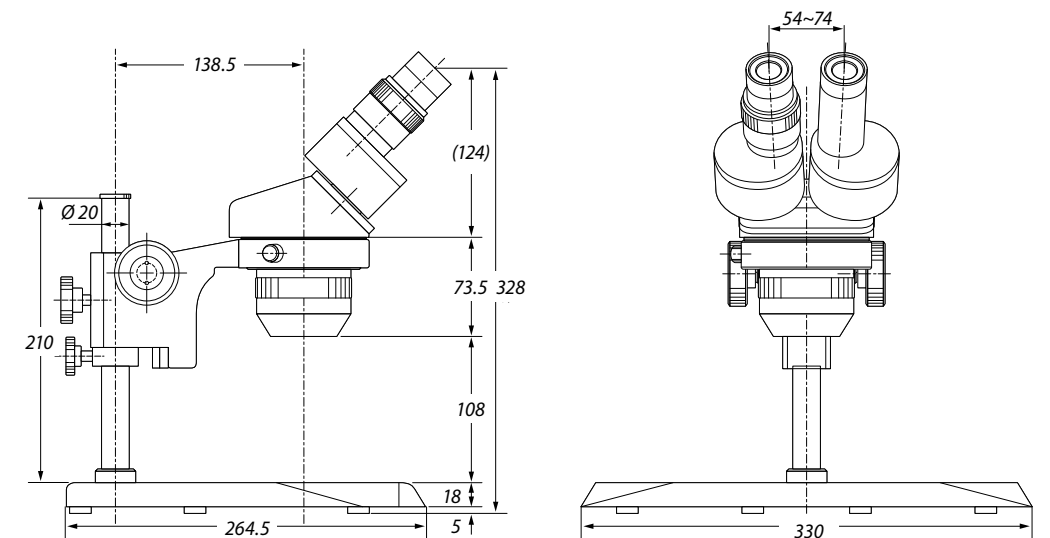
* When the trinocular tube is engaged, the image is still available in both other tubes
All zoom stereo heads are supplied with SWF 10x/23 mm eyepieces without eyecups

STANDS

MODELS	Column (mm)	Diameter (mm)	Rack & pinion	Base (w x d mm)	Height (mm)	Head holder	Illumination
ST.1710	210	20		240 x 150	250	ST.1790	
ST.1718	213	20		330 x 306	285	ST.1790	
ST.1720	610	29		780 x 270	650	ST.1794	
ST.1735			•	240 x 160	290		3 W LED
65.980/65.983			•	Ø 1000 *	0/295	65.983	

* Length with the two arms totally extended

DIMENSIONS



ACCESSORIES AND SPARE PARTS

EYEPIECES

(without eyecups)

- AE.1836** Pair of SWF 10x/23 mm eyepieces
- AE.1834** Pair of SWF 12.5x/20 mm eyepieces
- AE.1840** Pair of SWF 30x/7.5 mm eyepieces
- AE.5439** Pair of eyecups

MICROMETER EYEPIECE

(with adjustable lens)

- AE.1839** SWF 10x/21 mm with 10 mm/100 micrometer reticle and crosshairs

MICROMETER SLIDE

- AE.1112** Object slide 76 x 26 mm with micrometer 50 mm/500, 100 µm/division

about microscope optics

ADDITIONAL LENSES

(for ZE.1624, ZE.1654, ZE.1626)

- AE.1856** Additional 0.5x lens. WD 150 mm.
Maximum object size is 15 mm
- AE.1857** Additional 0.75x lens. WD 97 mm
- AE.1858** Additional 1.5x lens. WD 50 mm
- AE.1859** Additional 2.0x lens. WD 34 mm

ADDITIONAL LENSE

(for ZE.1657)

- AE.1818** Additional 1.5x lens. WD 57 mm
WD = working distance

PROTECTION WINDOW

(to be screwed under the objectives)

- AE.1845** Protection window for all heads of ZE series
except ZE.1659

MECHANICAL STAGE

- AE.1876** Plain stage 145 x 115 mm with 75 x 50 mm
mechanical X-Y stage on ball bearings. Horizontal
coaxial adjustment. Double Vernier with 0.1 mm
graduations. Only with ST.1710

OBJECT PLATES - Ø 94 MM

- AE.1882** Acrylic black/white object plate

FILTERS - Ø 40 MM

- AE.1897** Frosted glass filter

FUSE

- AE.5252** Fuses for ST.1740 stand. Per 10 pieces

CAMERA ACCESSORIES

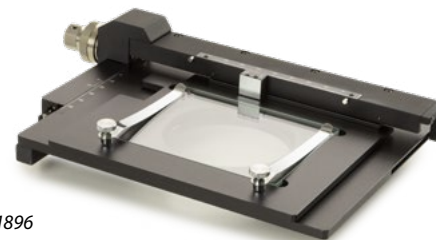
- DC.1320** Projection 1x objective with C-mount
- DC.1324** Projection 0.5x objective with C-mount
for cameras with 1/2" sensor.
To be inserted into a 23.2 mm tube
- DC.1326** Projection 0.33x objective with C-mount
for cameras with 1/3" sensor.
To be inserted into a 23.2 mm tube
- AE.5130** Universal SLR camera adapter with 2x projection
lens for 23.2 mm tubes. Needs T2 adapter
- AE.5025** T2 adapter for Nikon D digital SLR cameras
- AE.5040** T2 adapter for Canon EOS digital SLR cameras
Other T2 adapters on request



● AE.1877



● AE.1876



● AE.1896

RESOLVING POWER

A human eye cannot distinguish two points when these are closer than approximately 0.3 mm or 300 µm to each other. That is what is called resolving power"; the capacity to resolve two points which are close together or optical resolution", the ability of an imaging system to resolve detail

MAGNIFICATION

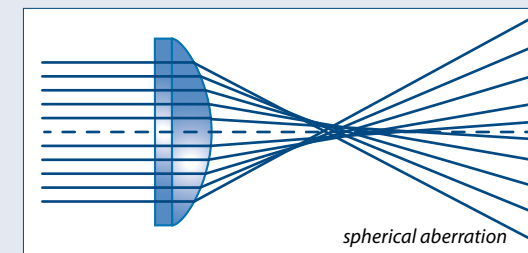
If one needs to detect details of 10 µm, one needs at least 300 µm / 10 µm = 30x magnification in order to resolve this detail. Knowing that conventional stereo microscopes can magnify - without the help of additional lenses and without introducing additional optical aberrations - up to approximately max. 100 times, the smallest detail that a stereo microscope can resolve is 300 µm / 100 = 3 µm

For details smaller than approximately 3 µm, one could better choose an optical compound microscope to resolve these details

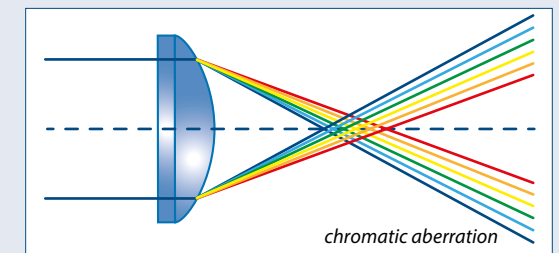
OPTICAL RESOLUTION

The resolution of an optical microscope can be defined as the shortest distance between two points that the microscope can reveal for a human eye or camera

The theoretical maximum resolution is limited by the diffraction laws of physics and is equal to
 $r = 1.22 \lambda / (N.A. \text{ of objective} + N.A. \text{ of condenser})$
with r = resolution, N.A. = numerical aperture,
 λ = imaging wavelength



spherical aberration



chromatic aberration

ABERRATIONS

In practice, the resolution of a microscope is lower than the theoretical resolution due to optical aberrations, improper illumination or bad alignment of the optics and components of the microscope. Despite corrections for chromatic and spherical aberrations, coma, astigmatism and distortion, the real maximum resolution of a microscope with a 100x objective is about 0.25 µm for 550 nm light rays

- Chromatic aberration** Difference in focus of different colors caused by difference in refractive indices for each wavelength
- Spherical aberration** Difference in focus caused by defects or irregularities on the surface of a lens
- Astigmatism** Rays traveling through two perpendicular planes having different focal planes
- Coma aberration** Variation in magnification over the entrance pupil
- Distortion** Stretching of an image as a variation in magnification across the lens field

iScope

FEATURED

digital solutions

education • life science • industry



iScope

Discover the new digital heads for the iScope, Achios-X Observer, - Inverso and Delphi-X Observer, page 322

digital solutions



product information

- DIGITAL MICROSCOPES • 306
- MACROZOOMS • 326
- USB CAMERAS • 340
- WiFi CAMERAS • 344
- COOLED CAMERA • 345
- HD CAMERA • 346
- TABLET CAMERAS • 350
- SOFTWARE • 352
- ADAPTERS • 358

Get ready to discover the digital world of microscopy with the newest Euromex digital educational, laboratory and materials science products. The broad Euromex product range of digital cameras and digital microscopes with built-in camera offer the best matching solutions for your specific application needs

Euromex digital products incorporate all the latest available technology in this field, such as WiFi, HDMI, CMOS, HD-CMOS and sCMOS sensors, especially designed for fluorescent microscopy. Our digital solutions package includes the powerful ImageFocus software for image analysis

DIGITAL MICROSCOPES



MicroBlue

digital microscopes with built-in 5.0 MP USB-2.0 camera

The modern MicroBlue is an entry-level microscope, especially appreciated when budgets are limited. There are two versions of the digital MicroBlue; one with a built-in digital camera, the other with an LCD screen. Available with plain or integrated mechanical X-Y stage. All models are equipped with 35 mm achromatic objectives



● MB.1055
320 (h) x 151 (w) x 202 mm (d) | 2.4 kg
MB.1051-LCD
378 (h) x 179 (w) x 202 mm (d) | 2.48 kg

HIGHLIGHTS

- New back panel with smart storage solutions
- Dual Illumination System: white & halogen colored LED
- Universal USB-C 5V Power
- Economic microscopes for education
- Built-in digital 1.3 or 5.0 MP USB-2.0 camera
- 7 inch LCD screen
- Ergonomic carrying grip
- 5 Years warranty (2 years on camera)



● Back panel of the MicroBlue

SPECIFICATIONS

CAMERA

All the MicroBlue build-in digital camera microscopes are equipped with:

- 1.3 MP 1/2.5" CMOS USB-2.0 camera, 2560 x 1920, max. 30 fps*, ImageFocus 4 software
- a 5.0 MP 1/2.8" CMOS USB-2.0 camera, 1720 x 952 pixels, max. 30 fps*, ImageFocus Plus software
- USB-2.0 cable and a 1 mm/100 calibration slide
- Warranty for the camera is two years

SOFTWARE

- The capture and analysis ImageFocus software allows to save images in .jpg, .tif, .bmp or .dicom formats as well as .avi format videos
- Measurements and annotations can be done on live or captured images

- Compatible with Windows 10 and higher, both 32 and 64 bits configurations. A MacOS version is also available
 - Free software can be downloaded on our website
- For full microscope specifications and accessories see chapter 1: Biological microscopes

LCD SCREEN

- All the MicroBlue LCD microscopes are equipped with 7" IPS LCD screen
 - Screen resolution 1920 x 1080 @ 30 fps*
 - Save images and videos directly to micro SD card
 - Image resolution up to 1844 x 1080 in .JPEG format
 - Video resolution 1280 x 720 .AVI format
 - Basic measurement function (line) with calibration. Calibration slide available as option
 - Warranty for the screen is 2 years
- *Frame rates were determined at optimal conditions

MODELS	Digital LCD	Digital mono	Maximum objectives	4/10/540x objectives	S60x objective	S100x oil objective	Mechanical X-Y stage	Abbe condenser	LED	Batteries
MB.1001-LCD	•		3	•					•	•
MB.1051-LCD	•		4	•			•	•	•	•
MB.1055-X		•	4	•			•	•	•	•
MB.1655-X		•	4	•	•		•	•	•	•
MB.1155-X		•	4	•		•	•	•	•	•

-X = -1; model equipped with 1.3 MP camera
-X = -5; model equipped with 5.0 MP camera

DIGITAL MICROSCOPES



● EC.1005

EcoBlue

digital microscopes
with built-in
5.0 MP USB-2.0 camera

The digital microscopes are equipped with WF 10x/18mm eyepieces, a quadruple nosepiece, achromatic objectives, a 123 x 119 mm stage with two clamps or mechanical X-Y stage, Abbe condenser and a 1 W LED illumination with integrated 100-240 V power supply



product information

- Mono
- 360°
- Transmitted
- Dual LED
- NeoLED
- Abbe
- Zoom
- APL
- Digital
- USB
- 100-240V
- Anti-theft
- 2 Year Warranty
- 5 Year Warranty

EC.1105 / EC.1005
355 (h) x 270 (w) x 220 mm (d) | 2.6 kg



HIGHLIGHTS

- Economic microscopes for education
- Monocular and binocular models
- Built-in digital 5.0 MP USB-2.0 camera
- Color coded condenser
- Dual illumination system:
white & halogen colored (Neo)LED
- All models have rechargeable AA batteries and external 100-240 Vac mains/charger adapter
- Ergonomic carrying grip
- 5 Years warranty (2 years on camera)



SPECIFICATIONS

CAMERA

All the EcoBlue digital microscopes are provided with a 5.0 MP 1/2.8" CMOS USB-2.0 camera, a maximum of resolution 2560 x 1920, 24 bits color depth, up to 30 fps*. USB-2.0 cable and a 1 mm/100 calibration slide

SOFTWARE

The capture and analysis ImageFocus Plus software allows you to save images in .jpg, .tif, .bmp or .dicom formats as well as .avi format videos. Measurements and annotations can be

- EcoBlue supplied with achromatic objectives

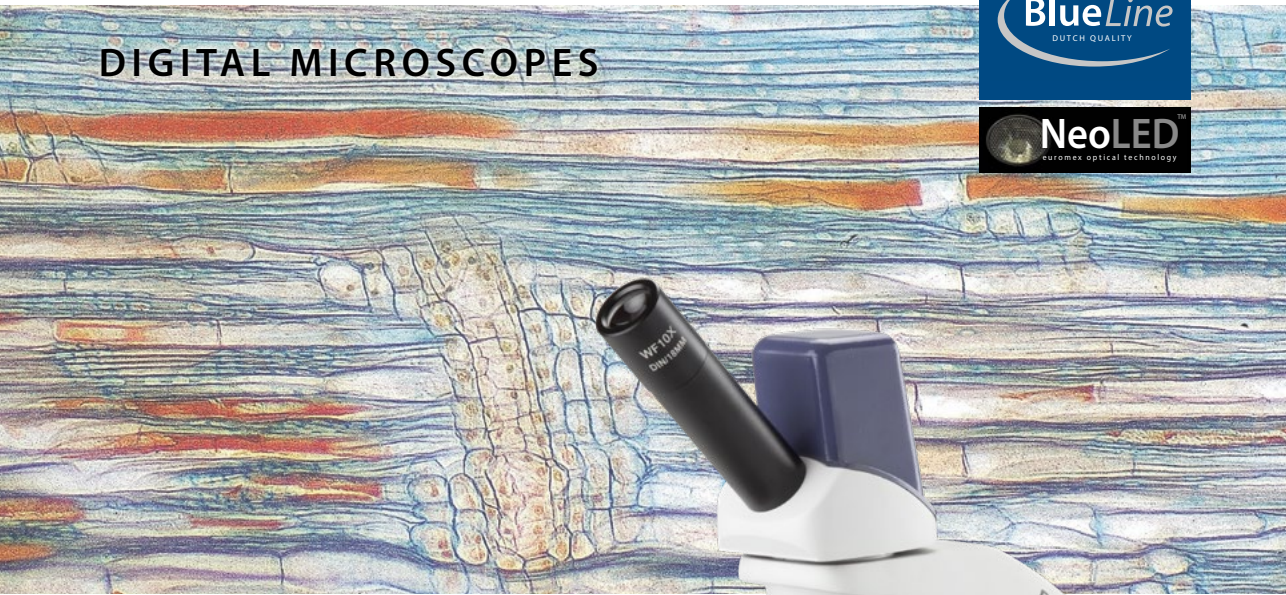
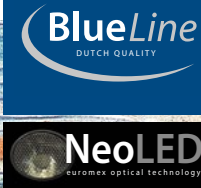
done on live or captured images. Compatible with Windows 10 and higher, both 32 and 64 bits configurations. A MacOS version is also available. Free software can be downloaded from our website

For full microscope specifications and accessories see chapter 1: Biological microscopes

* Frame rates were determined at optimal conditions

MODELS	Monocular	Binocular	4x, 10x, 540x objectives	S60x objective	S100x oil objective	Mechanical X-Y stage	1 W Dual color LED	1 W Dual color NeoLED™
EC.1005	•		•				•	
EC.1105	•		•		•		•	
EC.1607		•	•	•				•
EC.1055	•		•			•	•	
EC.1155	•		•		•		•	
EC.1157		•	•		•	•		•
EC.1657		•	•	•		•		•

DIGITAL MICROSCOPES



BioBlue

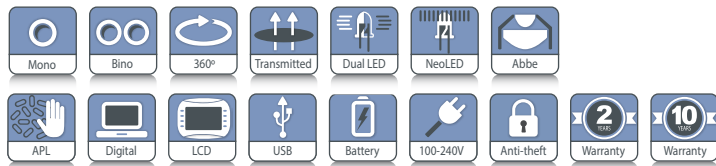
digital microscopes

Digital microscopes are available with the traditional eyepieces included, with or without a windows tablet and a fully digital version that is supplied with an LCD screen only

The digital models of the BioBlue set a new standard in digital microscopy, with high quality imaging, both optically and digitally. The general microscope specifications, like the mechanical X-Y stage and objectives are identical to the non-digital microscopes, found in chapter 1



product information



BB.4225 / BB.4245 / BB.4255
 340 (h) x 155 (w) x 230 mm (d) | 3.4 kg
BB.4267 / BB.4269
 360 (h) x 155 (w) x 230 mm (d) | 4.1 kg



● BB.4225



HIGHLIGHTS

- New back panel with smart storage solutions
- Dual Illumination System: white & halogen colored LED
- Universal USB-C 5V Power
- Monocular and binocular models
- Models with a 7" LCD screen
- Reserved quadruple nosepiece for semi plan objectives
- Built-in digital 5.0 MP USB-2.0 camera
- Integrated mechanical X-Y stage
- LED and NeoLED™ illumination
- Cordless operation
- 10 Years warranty (2 years on camera)

SPECIFICATIONS

MODELS WITH 5 MP CAMERA

All the BioBlue digital microscopes are equipped with a 5.0 MP 1/2.8" CMOS USB-2.0 camera, a maximum of resolution 2560 x 1920, 24 bits color depth, up to 30 frames per second* Supplied with USB-2.0 cable and a 1 mm/100 calibration slide

SOFTWARE

The capture and analysis ImageFocus Plus software allows to save images in .jpg, .tif, .bmp or .dicom formats as well as .avi format videos. Measurements and annotations can be done on live or captured images. Compatible with Windows 10 and higher, both 32 and 64 bits configurations. A MacOS version is also available. Free software can be downloaded from our website



● BB.4220-LCD

MODELS WITH LCD SCREEN

The BioBlue is also available with a 7" LCD screen, with all the features of the regular BioBlue. This screen allows live viewing, saving images and videos directly to a micro SD card and even has a basic line measurement function included. The LCD screen can only be operated as a stand alone.

Screen resolution 1920 x 1080 @ 30 fps*, image resolution up to 1844 x 1080 in JPG and video resolution 1280 x 720 AVI format
 For full microscope specifications and accessories see chapter 1: Biological microscopes

* Frame rates were determined at optimal conditions

MODELS	Mono	Bino	LCD	Tablet	4/10/40x SMP objectives	Semi plan S60x objective	Semi plan S100x oil objective	Integrated X-Y stage	1 W Dual color LED	1 W Dual color NeoLED™
BB.4205	•				•					
BB.4225	•				•			•		
BB.4245	•				•	•		•		
BB.4255	•				•		•	•		
BB.4267		•			•		•	•		•
BB.4269		•			•		•	•		•
BB.4200-LCD			•		•				•	
BB.4220-LCD			•		•				•	
BB.4267-T	•			•	•		•	•		•
BB.4269-T	•			•	•	•		•		•

MODELS WITH TABLET AND 5 MP CAMERA

The 5.1 MP CMOS camera ensures excellent color reproduction and is connected to a Windows tablet PC with vivid color graphic display for enabling visualisation of microscopic samples and enjoying the great features of our ImageFocus image analysis software. The tablet represents a 2-in-1 solution as it can be disconnected and used as a real windows tablet. Being Windows-based and due to its large touch screen of 12.1" users are sure to have responsive and smooth control

SPECIFICATIONS

Software and camera as above (5 MP + ImageFocus Plus)

- Processor** Quad Core max 3.3 GHz HD graphics processor
- Screen** 12.1 inch IPS 2160*1440 / 3:2
- Memory** 12 GB
- Storage** 512 GB Flash HDD, micro SD/SDHC slot for cards up to 64 GB
- Webcam** 2 MP front and 5MP rear camera
- Connectivity** Micro USB 2.0, Micro HDMI, USB-C, WiFi 6 and Bluetooth 4.0
- Audio** Stereo with 3.5 mm audio jack, internal microphone and speaker
- Battery** Lithium, 38Wh, 5000mA
- Weight** 0.8 KG (tablet) 4.8 kg (complete)
- System** Windows 11
- Software** ImageFocus Plus

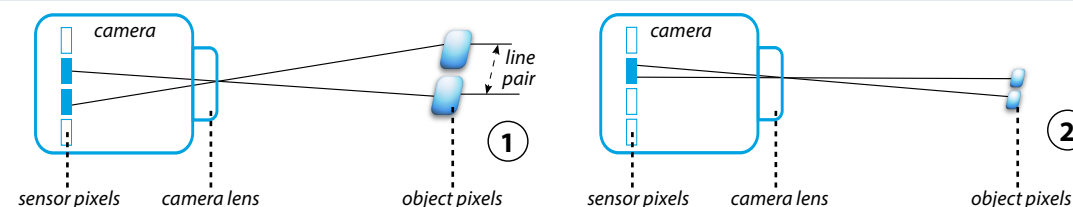


about

camera resolution and limits

Resolution of a camera system is the ability to reproduce object detail on screen. In practice it is depending on factors such as the good lighting of the object, the sensor pixel size and the capabilities of the optics. The smaller the object detail, the higher the required resolution

The highest frequency – expressed as line pair per mm that can be resolved – is 2 pixels or one line pair, the so-called **Nyquist frequency**



① Space between objects is large enough to be detected by minimum two pixels of the camera sensor

② Space between objects is too small to be detected by minimum two pixels of the camera sensor

THE LIMITING SENSOR RESOLUTION

(image space resolution) of a camera is commonly calculated as:

$$\left(\frac{1 \text{ lp}}{2 \times s} \right) \times \left(\frac{1000 \mu\text{m}}{1 \text{ mm}} \right)$$

whereby s = pixel size (in μm) and expressed as line pair per mm (Lp/mm)

The formula shows that a sensor with smaller pixels will have higher image space resolution:

Pixel size	Image Space resolution
1.67	229 LP/mm
2.2	227 LP/mm
3.45	145 LP/mm
5.5	90 LP/mm

Considering the Euromex DC.18000-Pro 2/3 inch camera which is equipped with 4921 x 3684 pixels camera on a 8.6 x 6.6 mm large sensor

THE NYQUIST IMAGE SPACE RESOLUTION

can also be calculated as 1/2 x sampling pixels/mm (Lp/mm) or:

- **Horizontal**
4921 / 8.6 = 572 (sampling pixels) x 0.5 = 286 Lp/mm

- **Vertical**
3684 / 6.6 = 558 (sampling pixels) x 0.5 = 279 Lp/mm

The Nyquist object space resolution or the smallest detail that could be theoretically resolved is then equal to:

1000 mm / (286 Lp/mm) or 3.5 μm

However, taken into account the manufacturing limitations and inevitable optical aberrations, the real image space resolution can be calculated as:

1/2 x Kell factor (approx 0.70) x sampling pixels (Lp/mm) or:

- **Horizontal**
4921 / 8.6 = 572 (sampling pixels) x 0.35 = 200 Lp/mm

- **Vertical**
3684 / 6.6 = 558 (sampling pixels) x 0.35 = 195 Lp/mm or approx. 1000 mm / 200 Lp/mm or 5 μm

In comparison, the by physics diffraction limited object space resolution (smallest detail that ever can be observed through the eyepieces of a optical compound microscope, is around 0.20 μm



DIGITAL MICROSCOPES



BlueScope

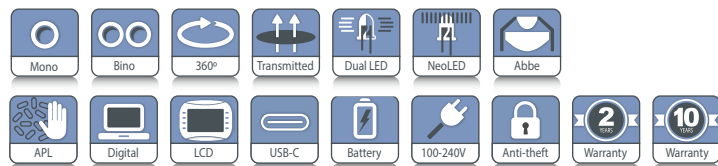
digital microscopes

The digital models of the blueScope are among the advanced in digital microscopy, with high quality imaging, both optically and digitally. Versions with traditional eyepieces and a digital camera, fully digital versions or a combination with a windows tablet are available

The general microscope specifications, like the mechanical stage and objectives are identical to the non-digital microscopes found in chapter 1 or 2



● BL.1057-T



BB.4225 / BB.4245 / BB.4255
 340 (h) x 155 (w) x 230 mm (d) | 3.4 kg
BB.4267 / BB.4269
 360 (h) x 155 (w) x 230 mm (d) | 4.1 kg

HIGHLIGHTS

- Monocular and binocular models
- Full digital models with a 7" LCD screen
- Models with a windows tablet
- Dual Illumination System: white & halogen colored LED
- Universal USB-C 5V Power
- Built-in digital 5.0 MP USB-2.0 camera
- 10 Years warranty (2 years on camera)

SPECIFICATIONS

CAMERA

The digital bScope microscopes are equipped with a 5.0 MP 1/2.5 inch CMOS USB-2.0 camera, 24 bits color depth, 7 frames per second (2592 x 1944 pixels) or 27 frames per second (1280 x 960 pixels)*. Dynamic range is 76 dB and signal/noise ratio 41 dB. Supplied with USB-2.0 cable and a micrometer 1mm/100 calibration slide

SOFTWARE

The capture and analysis ImageFocus Alpha software allows to save images in .jpg, .tif, .bmp or .dicom formats as well as .avi format videos. Measurements and annotations can be done on live or captured images. Compatible with Windows 10 and higher, both 32 and 64 bits configurations. A MacOS version is also available. Free software can be downloaded from our website

MODELS WITH TABLET AND 5 MP CAMERA

The 5.0 MP CMOS camera ensures excellent color reproduction and is connected to a Windows tablet PC with vivid color graphic display for enabling visualization of microscopic samples and enjoying the great features of our ImageFocus image analysis software. The tablet represents



● BL.1050-LCD

a 2-in-1 solution as it can be disconnected and used as a real windows tablet. Being Windows-based and due to its large touch screen of 10.1" users are sure to have responsive and smooth control

SPECIFICATIONS

Software and camera as above (5 MP + ImageFocus Alpha)

MODELS WITH LCD SCREEN

The BlueScope is also available with a 7" LCD screen, with all the features of the regular BioBlue. This screen allows live viewing, saving images and videos directly to a micro SD card

and even has a basic line measurement function included. The HD LCD screen can only be operated as a stand alone.

Screen resolution 1920 x 1080 @ 30 fps, image resolution up to 1844 x 1080 in JPG and video resolution 1280 x 720 AVI format

* Frame rates were determined at optimal conditions

For full microscope specifications and accessories see chapter 1 or 3

DIGITAL MICROSCOPES



EduBlue

digital microscopes with built-in 4.0 MP USB-2.0 camera

The EduBlue stereo microscopes are designed specifically for educational purposes and are equipped with WF 10x/20 mm eyepieces, a revolving nosepiece with double or triple magnification objectives

With transmitted and incident 1 W LED illuminations, 60 mm working distance. Supplied with three rechargeable AA batteries for corded and cordless operation. Also supplied with an external power supply

ED.1X05-S / ED.1X05-SW
260 (h) x 175 (w) x 220 mm (d) | 2.4 kg



ED.1805-SW



Triple magnification

SPECIFICATIONS

USB CAMERA

These EduBlue digital microscopes are provided with a 4.0 MP 1/1.8" CMOS USB-2.0 camera, a maximum resolution of 2688 x 1512, 24 bits color depth, up to 30 frames per second*. Supplied with USB-2.0 cable and a 1 mm/100 calibration slide

SOFTWARE

The capture and analysis ImageFocus Alpha software allows to save images in .jpg, .tif, .bmp or .dicom formats as well as .avi format videos. Measurements and annotations can be done on live or captured images. Compatible with Windows 10 and higher, both 32 and 64 bits configurations. A MacOS version is also available. Free software can be downloaded from our website

HIGHLIGHTS

- Economical binocular models
- Universal USB-C 5V Power
- Dual illumination system (see EduBlue chapter 2)
- Dual and triple magnification objectives
- Cordless operation
- Built-in digital 4.0 MP USB-2.0 camera
- Models with and without WiFi
- LED illuminators
- Ergonomic carrying grip
- 5 Years warranty (2 years on camera)

WIFI + USB CAMERA

These EduBlue digital microscopes are provided with a 4.0 MP 1/1.8" CMOS USB-2.0 WiFi camera, a maximum resolution of 2688 x 1512, 24 bits color depth, up to 30 frames per second. Connects to ethernet, computer or mobile device. Supplied with USB-2.0 cable and a 1 mm/100 calibration slide

SOFTWARE

The capture and analysis ImageFocus Alpha software allows to save images in .jpg, .tif, .bmp or .dicom formats as well as .avi format videos. Measurements and annotations can be done on live or captured images. Compatible with Windows 10 and higher, both 32 and 64 bits configurations. A MacOS version is also available. Free software can be downloaded from our website

*Frame rates were determined at optimal conditions
For full microscope specifications and accessories see chapter 2: Stereo microscopes

MODELS	Binocular	2x/ 4x objectives	1x/ 2x/ 4x objectives	USB + WiFi + LAN camera	Software	Connectivity	Rack & pinion stand
ED.1405-SW	•	•		•	IF Alpha	Windows, Apple, Android, USB 2.0, WiFi	•
ED.1805-SW	•		•	•	IF Alpha	Windows, Apple, Android, USB 2.0, WiFi	•

DIGITAL MICROSCOPES



EduBlue LCD

digital microscope
with built-in
5.0 MP camera

The EduBlue LCD microscope is built around one 1 to 4 times zoom objective and enables observation of all kinds of objects directly on a 9" LCD screen. These kinds of microscopes are well-suited for education

The EduBlue LCD is equipped with a built-in 5 MP high-definition CMOS camera with 2592 x 1944 pixels



-
-
-
-
-
-
-
-
-
-



● ED.3000

ED.3000
425/475 (h) x 180 (w) x 230 mm (d) | 2.3 kg



● Adjustable screen

HIGHLIGHTS

- MonoZoom stand-alone digital microscope
- Magnification 8x up to 54x optically and up to 540x digitally
- 91 mm working distance
- Built-in 21 LED incident ringlight, five intensity positions
- Built-in 7 LED transmitted, two intensity positions
- Built-in 5 MP HD camera
- HD 9-inch screen
- Universal USB-C 5V Power
- Metal stand
- 3 Years warranty (2 years on camera)

SPECIFICATIONS

CENTRAL ZOOM OBJECTIVE

The EduBlue LCD ED.3000 features a single optical zoom objective with a 0.7 to 4.5 zoom. This allows an on-screen magnification from 8 to 54x. Zoom adjustments engravings on 0.7x 0.8x 1x 1.5x 2x 3x 4x and 4.5x. The working distance is 91 mm. A digital zoom up to 10x is available within the software, allowing a digital magnification up to 540x

STAND

The central Zoom Objective with attached screen and LED ringlight is mounted on a rack and pinion system that sits on a 30 x 180 mm metal stand

ILLUMINATION

- Two types of illumination are available;
- An integrated 21 LED incident ringlight illumination (5.500 K) with five intensity positions
 - A 7 LED transmitted illumination (5.785 K) with two intensity positions, integrated in the base

BUILT-IN CAMERA

Built-in HD 5 MP CMOS high speed (60 fps) camera with attached 9" screen. There is one USB port for a max. 16 GB SD storage card for captured images. The operator can take and save images to the SD card by pressing on a capture button at the left side of the screen. Images are saved in the .jpg format and videos are saved in .avi format

BUILT-IN SOFTWARE

The built-in on screen software is driven by the supplied computer mouse and features functions such as Capture image, Freeze image, Automatic white balance, Automatic exposition, File manager, Grids. Also camera settings such as Exposure time, Gain, Saturation, Contrast, Sharpness and HDR

PACKAGE CONTENT

Supplied with 16 GB SD card, black/white object plate, a glass transparent object plate and external 12V / 2A power supply

DIGITAL MICROSCOPES

bscope

NeoLED™
euromex optical technology



bScope

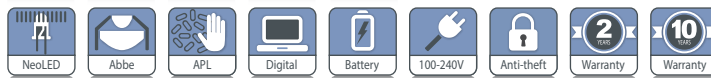
digital microscopes
with built-in
5.0 MP USB-2.0 camera

The versatile and evolutive bScope microscopes are well-equipped and intensively used in universities, small to mid-sized laboratories and for veterinary applications

The digital bScope comes with WF 10x/20 mm eyepieces and is exclusive available in binocular versions. Complete with E-plan IOS and Plan IOS infinity corrected objectives for brightfield observations



product information



● BS.1157-EPLi



BS.1157-PLi
409 (h) x 195 (w) x 235 (d) | 7.1 kg

HIGHLIGHTS

- Binocular model
- Color coded condenser
- Diopter adjustment on both tubes
- Integrated 5.0 MP CMOS color USB.2 camera
- 2592 x 1944 pixels
- 7 frames per second (2592 x 1944 pixels)*
- 27 frames per second (1280 x 960 pixels)*
- 10 Years warranty (2 years on camera)

SPECIFICATIONS

CAMERA

The digital bScope microscopes are equipped with a 5.0 MP 1/2.5 inch CMOS USB-2.0 camera, 24 bits color depth, 7 frames per second (2592 x 1944 pixels) or 27 frames per second (1280 x 960 pixels)*. Dynamic range is 76 dB and signal/noise ratio 41 dB. Supplied with USB-2.0 cable and a micrometer 1mm/100 calibration slide

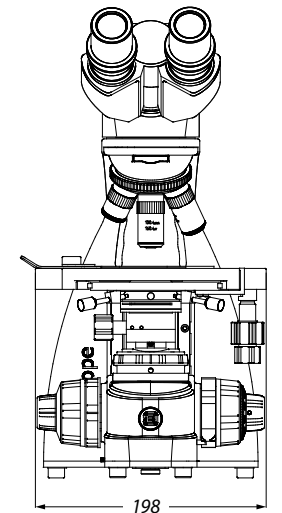
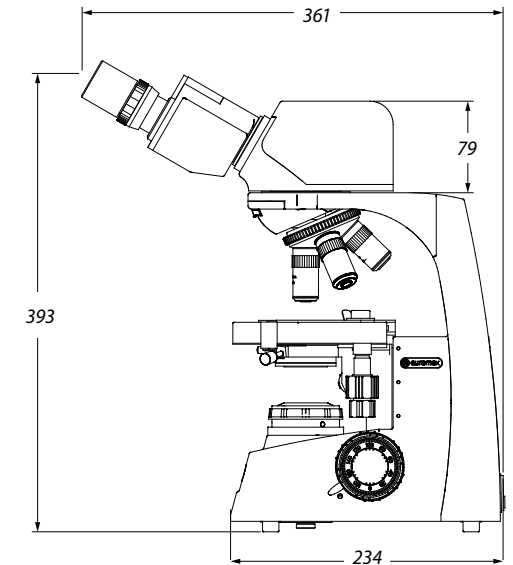
SOFTWARE

The capture and analysis ImageFocus Alpha software allows to save images in .jpg, .tif, .bmp or .dicom formats as well as .avi format videos. Measurements and annotations can be done on live or captured images. Compatible with Windows 10 and higher, both 32 and 64 bits configurations. A MacOS version is also available. Free software can be downloaded from our website

* Frame rates were determined at optimal conditions

For full microscope specifications and accessories see chapter 1 or 3

DIMENSIONS



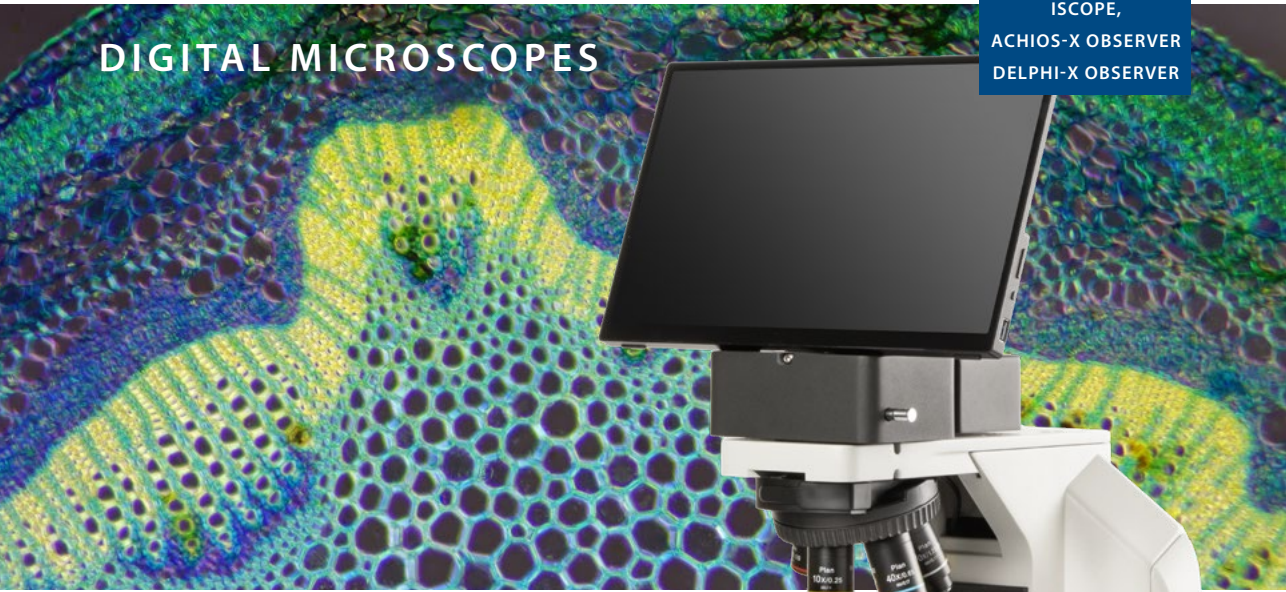
MODELS

	binocular head	HWF 10x/20 mm eyepieces	Quintuple nosepiece E-plan IOS 4/10/S40/S100x oil	Quintuple nosepiece plan IOS 4/10/S40/S100x oil	Köhler NeoLED™
BS.1157-EPLi	•	•	•		•
BS.1157-PLi	•	•		•	•

All models can optionally be supplied with three rechargeable AA batteries

DIGITAL MICROSCOPES

ISCOPE,
ACHIOS-X OBSERVER
DELPHI-X OBSERVER



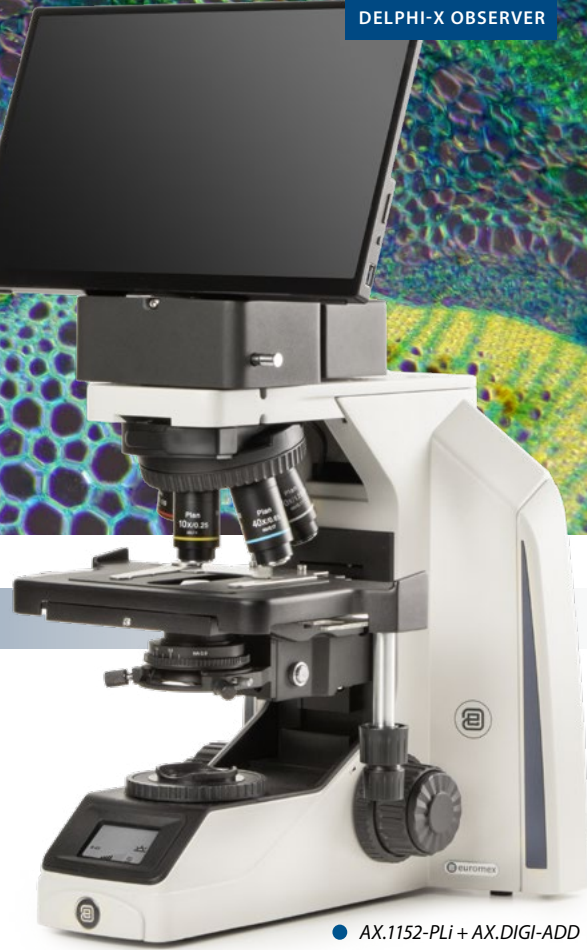
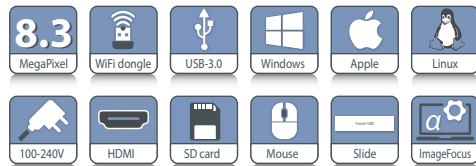
Digital microscopes

iScope, Achios-X Observer, Achios-X Inverso and Delphi-X Observer

This digital solution for the iScope, Delphi-X Observer, Achios-X Observer and Achios-X Inverso microscopes uses an Ultra HD camera together with a high resolution 13" screen, to bring the most vivid images directly to you. This is extremely useful for demonstrations or for educational applications

This digital solution can work in two modes:

- A stand-alone mode, where the mouse driven built-in software enables the capturing of images and recording of videos as well as a full range of measuring functions and playback functions



● AX.1152-PLi + AX.DIGI-ADD

No PC startup delay and no need for any computer knowledge

- The option either to be connected to a PC, or to stream images to different WiFi enabled devices, such as smartphones, tablets or computers

HIGHLIGHTS

- Extremely useful for discussions, demonstrations and education
- Real time images directly on 13"HD screen
- 3840 x 2160 pixels, 60 fps*, H264 codec
- Ultra HD 2160p, 8.3 MP, 1/8 inch color 4K Sony sensor
- Built-in mouse-driven software
- Interfaces: HDMI, USB-3, Ethernet, WiFi
- Stand alone mode or with computer



● IS.1152-PLi + IS.DIGI-ADD



● DX.1152-PLi + DX.DIGI-ADD

* Frame rates were determined at optimal conditions

COMPUTER CONTROLLED MODE

Besides working in the stand alone mode of the camera, you can also choose to connect the camera to a computer. Thus enjoying even more features of the Euromex ImageFocus Alpha software. Such as saving captured images in JPG, TIFF or BMP formats and recording videos in .avi format directly on the hard drive. The software offers different measurement features on live and captured images and also full control over the camera parameters

WIFI MODE

The system streams high resolution images simultaneously to several WiFi enabled smartphones, tablets or computers with iOS, Android or Windows operating systems. Ideal for demonstrations where remote viewing is needed

An Android app for this camera is available on www.euromex.com. IOS app can be downloaded from the App Store (free of charge)

MODELS

Ordering is based on the standard iScope, Achios-X Observer, Delphi-X Observer and Achios-X Inverso model references, together with the corresponding DIGI-ADD reference

For example

IS.xxxx-xxx + IS.DIGI-ADD

AX.xxxx-xxx + AX.DIGI-ADD

DX.xxxx-xxx + DX.DIGI-ADD

AI.xxxx-xxx + AI.DIGI-ADD

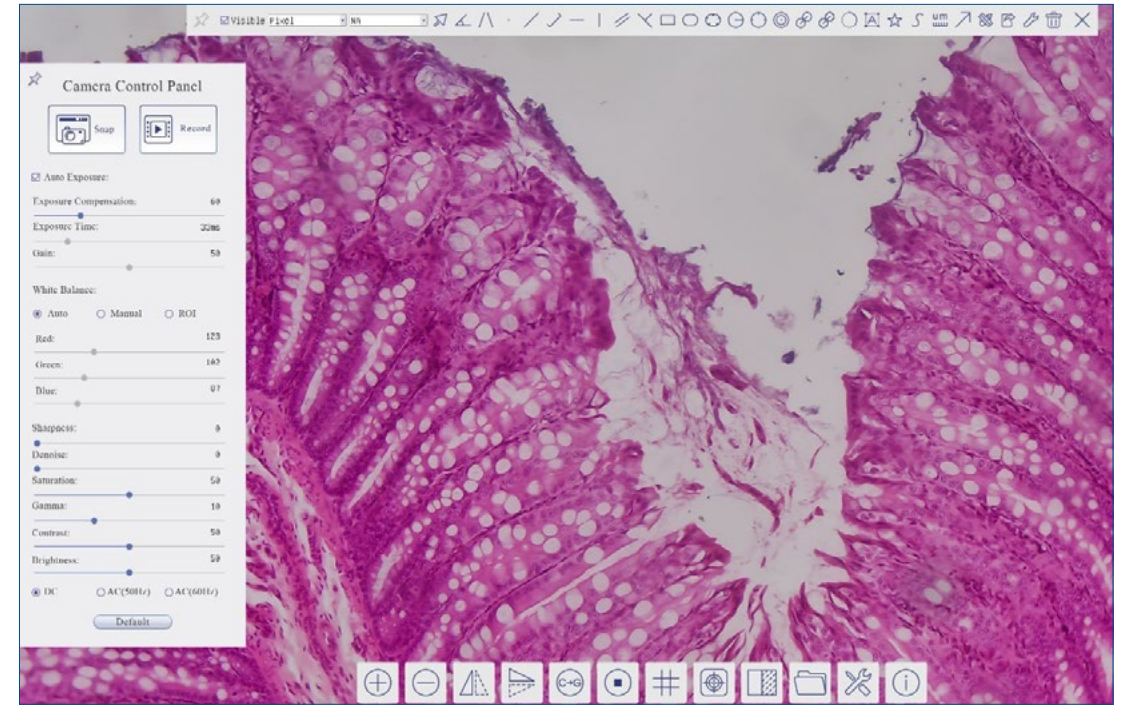
For further information on the microscope models, please refer to the specific microscope section in this catalog



● Control of the camera



● AI.4058-PLPHi + AI.DIGI-ADD



● Actual view of the screen. The menus pop-up automatically by mouse control

Camera List

HD4K

Capture & Resolution

Live: 3840 x 2160

Snap: 3840 x 2160

Format: RGB24

Exposure & Gain

White Balance

Color Adjustment

Power Frequency (Anti-flicker)

Color/Gray

Flip

Dark Field Correction

Flat Field Correction

Bitrate (Mbps)

Misc

CAMERA HIGHLIGHTS

- Ultra HD /4K, 8.3 MP
- 1/1.8 inch color 4K Sony sensor
- 3840 x 2160 pixels, 60 fps
- Real time images directly on TV, monitor or beamer
- Stand alone or used via PC or Mac
- C-mount interface
- 4K HDMI 2.0 standard
- Works with ImageFocus Alpha software

MACROZOOMS



MZ.4500
macrozoom

The high-end MacroZoom is built around one 0.7 to 4.5 times optical zoom objective and must be used in combination with C-mount types of cameras with HD screens or computer screens. With a working distance of 105 mm it is highly suitable for repairs, tooling engineers and visual inspections

A standard heavy metal base makes the whole system very stable for adding all kinds of illumination systems and camera systems



● MZ.4500

MZ.4500
313 (h) 320 (w) 285 mm (d) | 3.06 kg



product information



HIGHLIGHTS

- Stand-alone
- Zoom semi-apochromatic objective
- Zoom up to 0.7x to 4.5x
- C-mount with 0.4x objective
- 105 mm working distance
- Without illumination
- Metal stand
- 2 Years warranty



SPECIFICATIONS

CENTRAL ZOOM OBJECTIVE

The MacroZoom MZ.4500 features a single optical zoom objective with a 0.7x to 4.5x zoom magnification. Zoom adjustments engravings on 1, 1.5, 2, 3 and 4.5x. The working distance is 105 mm

STAND

The MacroZoom is mounted on a 230 mm height pillar (Ø 32 mm) and holder (Ø 39/50 mm) that sits on a metal 320 x 260 x 16/25 mm metal stand

CAMERA SYSTEMS

Any of our digital C-mount cameras (in this chapter) can be used together with the MacroZoom

PACKAGING

Supplied with dust cover and packed in a polystyrene box



● The MZ.4500 in combination with the VC.3036-HDS

MACROZOOMS



MZ.4600

digital macrozoom

This entry-level digital MacroZoom is equipped with a 0.7 to 5x zoom objective enables direct inspection of objects on external HD screen (not supplied). The mouse-driven built-in software control the camera parameters and enables measurements on screen, capturing and saving .jpg or .bmp format pictures and .mp4 format video on an USB memory stick

The MZ.4600 has a built-in high-definition 1080p 2 MP camera which can deliver up to 60 images per seconds and needs to be connected to an external stand-alone HD screen



● MZ.4600

MZ.4600
323 (h) 320 (w) 260 mm (d) | 4.4 kg



product information



HIGHLIGHTS

- MonoZoom stand-alone digital microscope
- Optical zoom from 0.7x up to 5x
- Magnification on screen from 2.5 up to 19x
- 100 mm working distance
- Built-in 1080p 2 MP HD camera
- Built-in mouse driven on-screen software
- Measurement function on screen
- jpg or bmp saved images
- mp4 video recording up to max 2 hrs
- Removable 32 GB memory stick
- Metal stand
- 2 Years warranty

SPECIFICATIONS

MACROZOOM OBJECTIVE

The Digital MacroZoom MZ.46000 features a single zoom objective with a 0.7 to 5x zoom magnification. Zoom adjustment engravings on 0.7, 1, 1.5, 2, 2.5, 3, 4 and 5x. The working distance is 100 mm. An optional 3D attachment enables a 45° angle observation

STAND

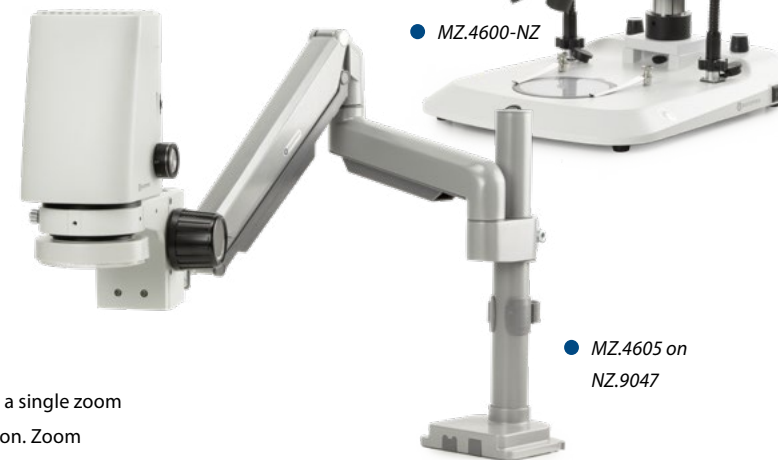
- Standard pillar stand (Ø 32 mm) that sits on a large 320 x 260 mm metal stand without illumination
- Travel range is 50 mm, max. object height 22 cm
- The MacroZoom objective can also be mounted on the NexusZoom stands. (for instance, the NZ.9047, see dedicated datasheet on the website)

ILLUMINATION

The MZ.4600 comes with a 144 LED ringlight, adjustable from the side of the MacroZoom body

BUILT- IN CAMERA

Built-in HD 1080p high-definition 2 MP 1/2.8" CMOS high speed camera, 1920 x 1080 pixels, 2.9 µm x 2.9 µm pixels and 60 images per seconds. Magnification on screen from 2.5x up to 19x with field of view from 210 x 120 mm up to 27 x 15 mm



● MZ.4600-NZ

● MZ.4605 on NZ.9047

based on a 24 inch HD screen. The camera has one HDMI output that needs to be connected to an external HD screen (not supplied). Two USB ports accept the supplied 32 GB USB memory stick (up to 64 GB) and a supplied wireless mouse that drives the built-in on-screen software. The operator can take .jpg or .bmp images and .mp4 video's and save them to an external supplied memory stick

BUILT- IN SOFTWARE

The built-in on-screen software (only English language) is mouse driven and features functions such as capture or record images, automatic or manual white balance, color adjustments, file manager, grids, flip/mirror, freeze image, WDR (white dark regulation), crosshair and crosslines, text annotations. Camera settings such as automatic or manual exposition time, gain, brightness, saturation, contrast, sharpness, digital 1-6x zoom are available. Measurement functions are also available from the software such as line, polygon circle, rectangle, angle, arc. Images are saved in .jpg or .bmp format and video in .mp4 videos format

PACKAGE CONTENT MZ.4600

- Supplied with
- Digital MacroZoom body with ringlight illumination
 - 32 GB memory stick, mouse, HDMI cable for HD screen, external 100-240 Vac / 12Vdc / 3A power supply
 - Standard pillar stand with head holder, without illumination (MZ.4610)

ORDER PRODUCT REFERENCES:

- MZ.4600** MacroZoom body with standard stand
- MZ.4600-NZ** MacroZoom body with NexiusZoom stand (NZ.9018), equipped with two 2 W gooseneck LED illuminations
- MZ.4605** MacroZoom body with ringlight illumination
- MZ.4610** Standard* stand for MZ body MZ.4605
- MZ.4615** 3D attachment for observation under 45° angle*
- MZ.4625** Additional 0.5x lens working distance 165 mm
- MZ.4627** Additional 0.7x lens working distance 128 mm
- MZ.4622** Additional 2x lens working distance 40 mm



● 3-D attachment MZ.4615
Below: view from above and from a 45° angle



OPTIONAL LIGHT SOURCES:

- LE.1973** Ringlight with 144 LEDs with adjustable light intensity. External power supply 100-240. Vac / 12 Vdc (50/60 Hz). With segment controller. Luminous flux of 23,000 Lux and color temperature of 6500 K
- LE.1974** Ringlight with 72 LEDs with adjustable light intensity. External power supply 110-240 Vac / 12 Vdc (50/60 Hz). With segment controller. Luminous flux of 20,000 Lux and color temperature of 6500 K
- LE.5207** Light source with 2x 3W LED light source mounted on two self-sustaining Gooseneck-type 56 cm long guide. Luminous flux 25.000 Lux, 6500K
- LE.5212** Multiple light source station with
 - two self-sustaining gooseneck-type 56 cm long guides with 2x 3 Watt white 6500 K power LEDs, each with a 3-lens focusing heads
 - 60 LEDs ringlight, 6.500 K, 24.000 Lux
 - transmitted 42 LEDs light stage, 6.500 K, 8.000 Lux. Stage diameter 94.5 mm, 15 mm thick



● MZ.4600 with LE.1973

how to match
camera resolution

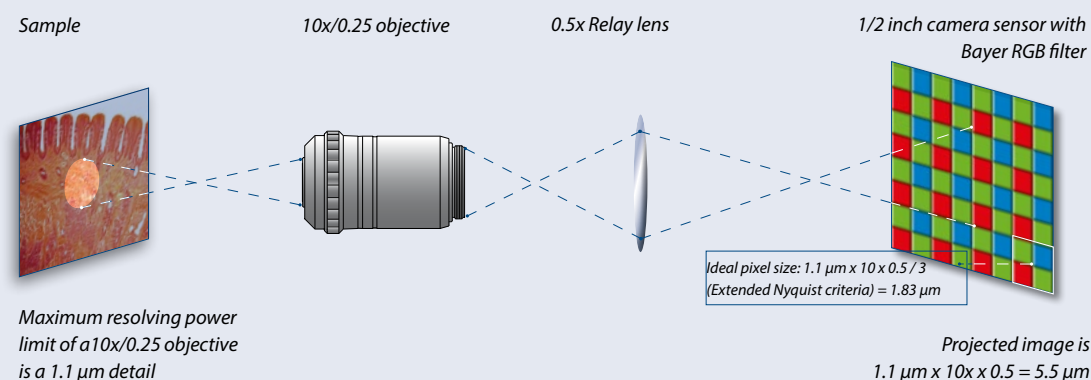
In microscopy, the image of the sample under observation is projected by the optical components of the microscope (objective lenses, eyepiece lenses, intermediate lens or camera relay lenses) onto the surface of a camera sensor or the retina of a human eye

a more important specification is the pixel size of the camera sensor. What might be astonishing to know about digital resolution of camera's is the fact, that the higher the magnification, the fewer pixels the chip of a camera needs!

Not the total amount of pixels – which basically determines the field of view of the camera image - is primordial but

To optimize the transfer of the details of the sample (resolving power) to the camera, the pixel size of the photodiodes of the camera sensor is a key element

EXAMPLE OF A 10X/0.25 OBJECTIVE WITH 1/2 INCH CAMERA SYSTEM



MAXIMUM AND OPTIMUM PIXEL SIZE REQUIREMENTS:

Obj. Magn.	NA	Resolving power ⁽¹⁾ (μm)	Projected size (μm)	Projected size with 0.5x lens (μm)	Maximum ⁽²⁾ camera pixel size (μm)	Optimum ⁽²⁾⁽³⁾ camera pixel size (μm)
1x	(0.04)	6.90	6.90	3.45	1.72	1.15
2x	(0.06)	4.60	9.20	4.60	2.30	1.53
4x	(0.10)	2.80	11.2	5.60	2.80	1.86
10x	(0.25)	1.10	11.0	5.50	2.75	1.83
20x	(0.40)	0.69	13.8	6.90	3.45	2.30
40x	(0.65)	0.42	16.8	8.40	4.20	2.80
60x	(0.80)	0.34	20.4	10.2	5.10	2.40
100x	(1.25)	0.22	22.0	11.0	5.50	3.67

⁽¹⁾ Resolving power of the objectives: $r = 1.22 \cdot \lambda / (NA \text{ Objective} + NA \text{ Condenser})$. With NA = numerical aperture, λ = wavelength and r = optical resolving power. The resolving power limits are based on various theoretical calculations. Low specimen contrast, improper or low illumination conditions, etc, may serve to lower resolving power limits, more often than not, the real-maximum values are not realized in practice

⁽²⁾ The Nyquist criterion states that the maximum camera pixel size can't exceed half of the resolving limit of the objective. For high resolution images, the Nyquist criterion is even extended to 2.5 to 3 pixels per detail and thus the optimum camera pixel size (3) is calculated as maximum 1/3 of the resolving limit of the objective

⁽³⁾ Although smaller pixel size of photodiodes of the camera sensor improve the resolution, smaller pixel sizes lower signal to noise ratios, lower the dynamic range and collect less light! Binning techniques can compensate for lower signal to noise ratios



MZ.4700(-HDS) digital autofocus macrozoom 4K/1080p

The MZ.4700 is an integration of a 1080p HDMI camera, an electrically controlled continuous zoom auto-focus objective together with a stand and illumination system. The MZ.4700 enables direct inspection of objects on a HD screen. The mouse-driven built-in software controls the camera parameters and enables measurements on screen, capturing and saving .jpg or .bmp format pictures and .mp4 format video on a USB memory stick



● MZ.4700-HDS



● MZ.4705

MZ.4700
350 (h) x 375 (w) x 250 mm (d) | 5.1 kg



product information



HIGHLIGHTS

- Stand-alone or PC operated
- Sony 1/2.8" 4K/1080P CMOS sensor
18x optical zoom ratio
- Optical zoom factor up to 5.6x
- On-screen magnification from 2.8 to 47x
- 205 - 215 mm Working distance
- Standard LED ringlight
- Optional directional LED ringlight
- Built-in mouse-driven software
- 2 Years warranty

SPECIFICATIONS

ZOOM OBJECTIVE

- The 16 elements objective has an 18x zoom ratio and produces magnifications up to 0.56 magnification with a manual or automatic focusing function
- Fields of view from 255 x 145 mm (1x zoom) to 14 x 8 mm (18x zoom)
- On-screen magnification 2.8 to 47x @190 mm WD (24" screen)
- Focusing range between 205 and 225 mm
WD = working distance

CAMERA

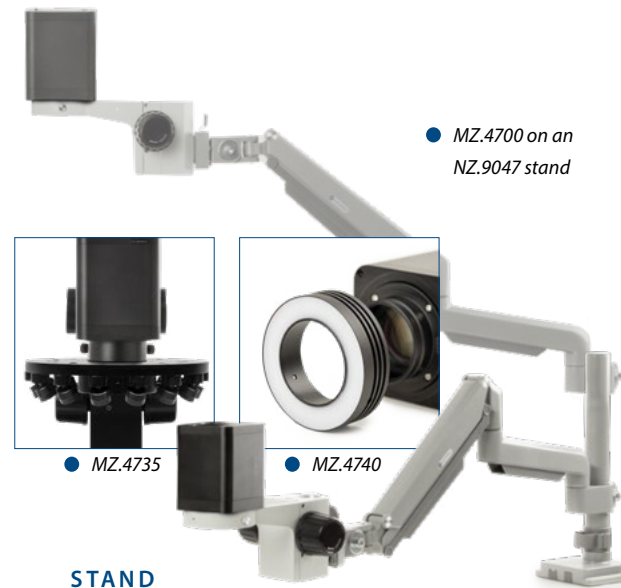
- The 8.3 MP camera is equipped with a Sony 1/2.8 inch 4K UHD/1080P CMOS high-definition sensor with high signal-to-noise ratio. This generates a 3840 x 8160 pixels video streaming, up to 60 images per second*
- The 4K/UHD signal fits the HDMI input of an HD screen
- A built-in SD card is used for image and video storage
- Stand-alone or PC operated (ImageFocus Alpha)

BUILT-IN SOFTWARE

The intuitive built-in software is controlled by the supplied - and to the camera connected - mouse. It features a camera-, an autofocus control panel and a measurement toolbar

ILLUMINATION

A standard LED ringlight assures a good lighting of the sample. A ringlight with 12x 1W, 30° directional LEDs enables extremely flexible lighting of the sample



● MZ.4700 on an NZ.9047 stand



● MZ.4735

● MZ.4740

STAND

- The MacroZoom can be mounted on a dedicated rack&pinion stand with or without a dedicated HD screen
- With the 30° directional 12x 1W LED ringlight (MZ. 4735,) the MacroZoom (MZ.4705) can also be mounted on the NexiusZoom stands (for instance, the NZ.9047, see dedicated datasheet on the website)

PACKAGE CONTENT

Supplied with a standard ringlight, a 32 GB SD card, mouse, WiFi dongle, HDMI cable and external 100-240 Vac / 12Vdc / 3A power supply

ORDER PRODUCT REFERENCES

- | | |
|--------------------|--|
| MZ.4700 | Stand-alone digital autofocus MacroZoom ⁽¹⁾ with standard stand |
| MZ.4700-HDS | Stand-alone digital autofocus MacroZoom ⁽¹⁾ with standard stand and HD screen |
| MZ.4705 | Stand-alone digital autofocus MacroZoom ^(1,2) |
| MZ.4710 | Standard stand for MZ.4705 |
| MZ.4712 | 11 inch HD screen for MZ.4710 inclusive pillar attachment |
| MZ.4740 | Standard LED ringlight |
| MZ.4735 | Directional 12 x 1W LEDs ringlight |

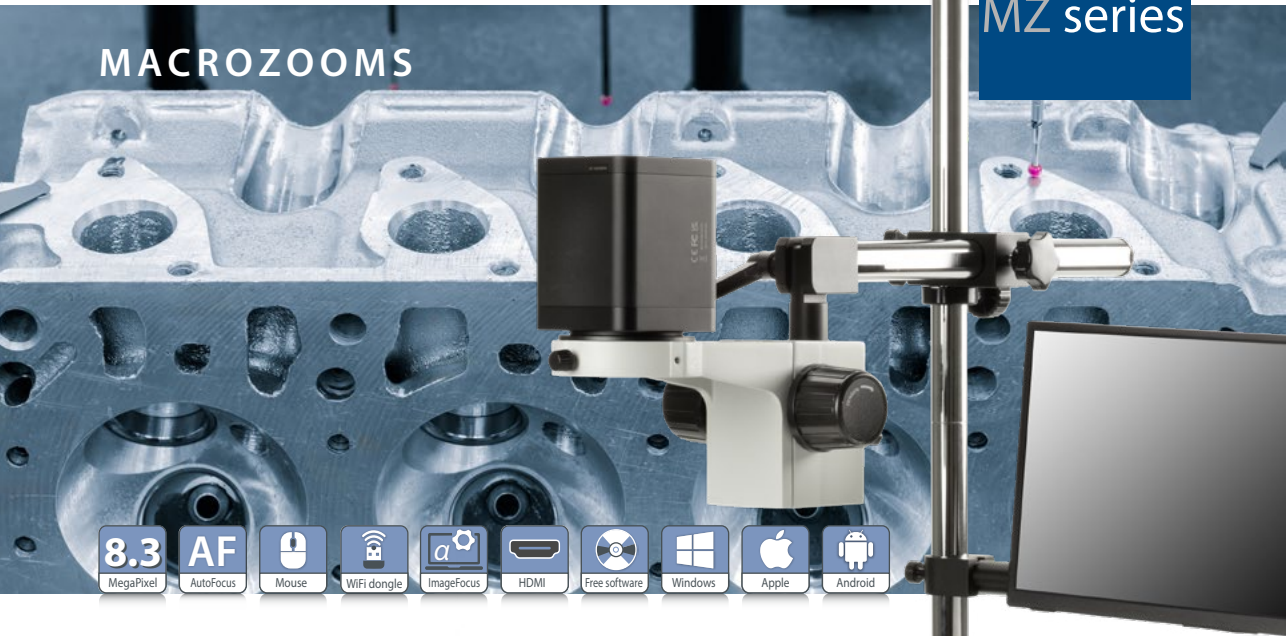
⁽¹⁾ Supplied with a 32 GB SD card, mouse, WiFi dongle, HDMI cable and External 100-240 Vac / 12Vdc / 3A power supply

⁽²⁾ The MZ.4705 can also be mounted on NexiusZoom stands

* Frame rates were determined at optimal conditions

MACROZOOMS

MZ series



- 8.3 MegaPixel
- AF AutoFocus
- Mouse
- WiFi dongle
- ImageFocus
- HDMI
- Free software
- Windows
- Apple
- Android

MZ.4702(-HDS)

Long WD AF macrozoom 4K/1080p

The MZ.4702 integrates a high-definition HDMI camera, an electrically controlled continuous zoom auto focus lens, along with a stable stand

Designed for direct inspection on an HD screen, the MZ.4702 allows effortless, real-time viewing with smooth 60 fps performance. Its built-in software provides full access to camera settings, on-screen measurement tools and the ability to capture and save images and videos

With an extended working distance and an ultra-wide field of view, the MZ.4702 delivers unmatched versatility and clarity for precision inspection tasks



product information

- Incident
- LED
- Zoom
- WiFi dongle
- Digital
- 100-240V
- 2 Year Warranty

MZ.4702 675 (h) x 380 (w, base plate)
560 (w, all in) x 260 mm (d) | 4.6 kg



● MZ.4702-HDS

HIGHLIGHTS

- Long working distance up to 67 cm
- Autofocus
- Stand-alone or PC operated
- Sony 8.3 CMOS sensor
- 18x optical zoom ratio
- Auto or manual focus
- Great for QC or production sites
- 400-670 mm extra-large working distance
- Built-in mouse-driven software
- 1 Year warranty

SPECIFICATIONS

ZOOM OBJECTIVE

- The 16 elements objective has a 18x zoom ratio with manual or automatic focusing function
- Fields of view from 65 x 37 cm (1x zoom) to 3.6 x 2 cm (18x zoom)
- On-screen magnification 0.8-14.5x @600 mm WD. (24" screen)
- Focusing range is between 400 and 670 mm
WD = working distance

CAMERA

- The 8.3 MP camera is equipped with a Sony 1/2.8 inch 4K UHD/1080P CMOS high-definition sensor with high signal-to-noise ratio generating a 3840 x 2160 pixels video streaming up to 60 images per second
- The 4K/UHD signal fits the HDMI input of a HD screen
- Image and video storage is done on a built-in SD card or USB flash drive (not included)
- Stand-alone or PC operated (ImageFocus Alpha)

ILLUMINATION

For illumination we recommend using Euromex LE.5207 or LE.5212



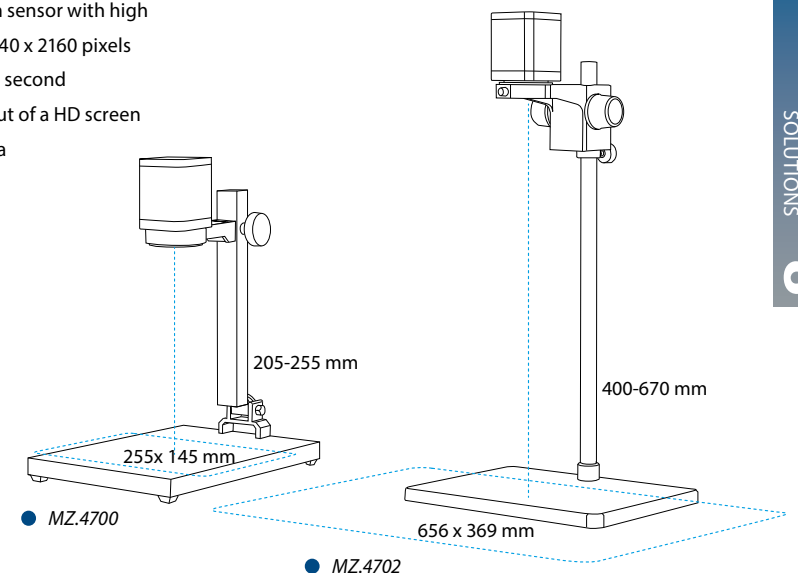
● MZ.4707

PC/MAC SOFTWARE

Operates with ImageFocus Alpha imaging and measuring software for Windows 10 and higher (32 and 64 bit configurations) MacOS and Linux for a full range of image management tools

PACKAGE CONTENT

Supplied with a 32 GB SD card, mouse, WiFi dongle, HDMI cable and external 100-240 Vac / 12Vdc / 3A power supply



● MZ.4700

● MZ.4702

ORDER PRODUCT REFERENCES

- MZ.4702** Stand-alone long working distance digital autofocus MacroZoom* with stand
- MZ.4702-HDS** Stand-alone long working distance digital autofocus MacroZoom* with stand and HD screen
- MZ.4707** Stand-alone long working distance digital autofocus MacroZoom, camera only*

- MZ.4714** Standard stand with camera holder for MZ.4702/4707
- MZ.4716** 11 inch HD screen for MZ.4702/4705, pillar attachment for MZ.4714 included

* Supplied with a 32 GB SD card, mouse, WiFi dongle, HDMI cable and power supply
MZ.4707 can also be mounted on NexusZoom stands such as NZ.9047

ACCESSORIES

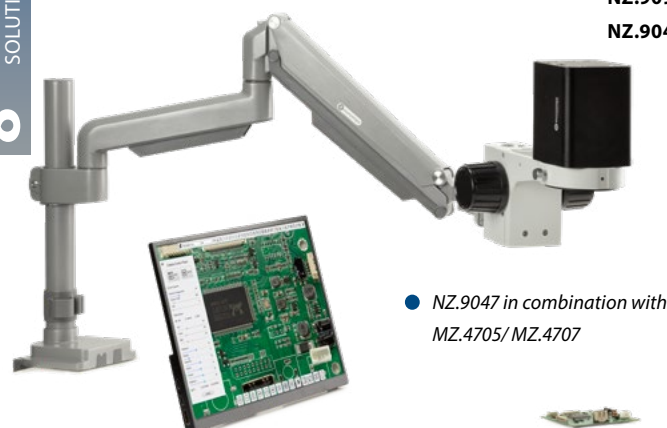
- LE.5207** Economical dual LED intensity adjustable light source with two 44 cm flexible gooseneck arms, each mounted with a 3 W LED
- LE.5112** Light source station with multiple power supply connections for two self-sustaining gooseneck-type guides, one ringlight and one transmitted stage illumination. For stand-alone usage or mounted on stereo microscope pillar stands with diameters up to 44 mm or with 35- and 25-mm pole mounting adapter rings



STANDS

- NZ.9025** Black articulated stand with table clamp (needs holder NZ.9081)
- NZ.9027** Articulated arm stand with heavy stand (needs holder NZ.9081)
- NZ.9081** 76 mm holder for articulated arm stands NZ.9025 and NZ.9027

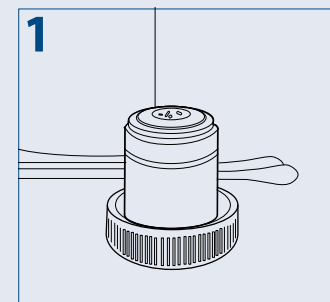
- NZ.9030** Universal double-arm stand, needs holder (NZ.9090/9095)
- NZ.9032** Universal double-arm stand with table clamp, needs holder (NZ.9090/9095)
- NZ.9090** Holder, with coarse control suitable for NZ.9030/9032 stands
- NZ.9095** Holder with fine coarse for NZ.9030/9032 stands
- NZ.9047** Articulated stand with adjustable tilt, swivel and rotating functions. With desktop clamp for mounting on 10-85 mm tabletops. Can also be fixed on tables with drilled holes. Supplied with 76 mm holder



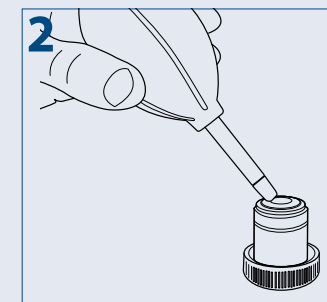
● NZ.9047 in combination with MZ.4705/ MZ.4707

how to keep the optics clean PB.5275 cleaning kit

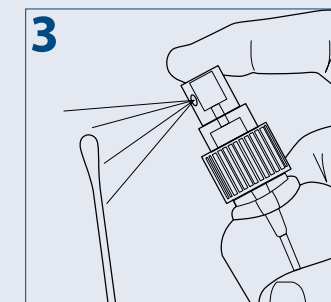
Dust and dirt particles have a negative affect on image quality. Keeping the optical system of your microscope clean is essential for the best image quality and overall life span of your microscope. Dust and dirt on optical elements such as lenses, prisms and filters that are left unattended can become difficult - or even impossible - to remove and may cause mold



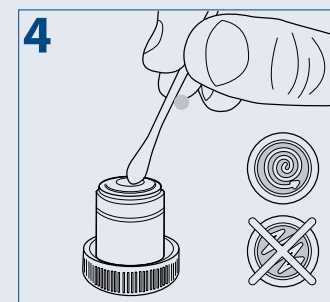
Place your objective or eyepiece on a secure location. One can use the objective's cap or eyepieces can be placed in the cut-outs within the storage box. Condensers and collector lenses can remain on the microscope



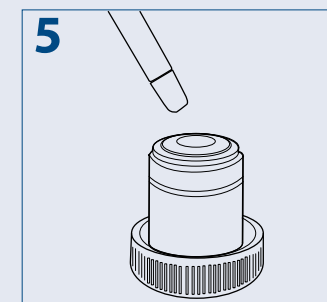
To prevent scratches on coatings and optical glass, first try to remove dirt and dust that sticks to the optical surface with an air-blower or pressurized dry air (oil-free and under moderate pressure version only)



Use an absorbent lens paper or cotton swap. Damp a swap or towel with a small amount of lens cleaning fluid or cleaning mixture (Either pure isopropanol or a mixture of 7 parts ether and 3 parts alcohol)



Clean the lens by using the tip of the cotton swap or lens paper*. When cleaning a large lens surface, wipe with little pressure from the center towards the periphery in a circular motion, do not use zig-zag motion. Discard each lens paper or cotton swap after a single use



Wait until the cleaning fluid is evaporated, or speed up this process by using pressurized dry air

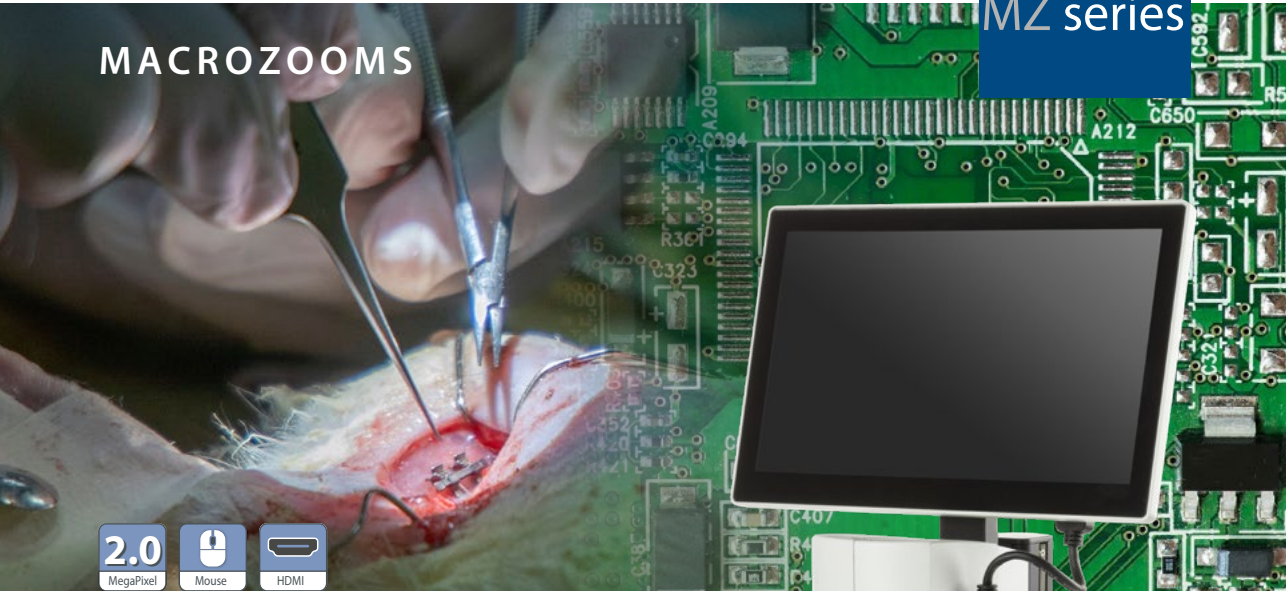
6 Check with the help of a magnifying glass if the surface is clean and place the cleaned item back on the nosepiece of the microscope



PLEASE NOTE
that cleaning of the optical surfaces indicated in this instruction only applies to external surfaces of objectives, eyepieces, filters and condensers. Internal surfaces must always be done by your Euromex microscope distributor

* Use enough lens paper so that solvents do not dissolve oils from your hands which can make their way through the paper onto the coated surface

MACROZOOMS



MZ.5000

digital macrozoom

The digital MacroZoom microscope is built around one 0.7 to 5x zoom objective and enables inspection of objects directly on an 11.6" LCD screen, -5° to 15° inclination. This kind of microscope is well-suited for inspection and quality control departments

The digital MacroZoom is equipped with a built-in full high-definition 1080p camera which can deliver up to 60 images per second and is connected either to the supplied and attached 11.6" screen or an external stand-alone HD screen



● MZ.5000

MZ.5000
445/635 (h) x 320 (w) x 260 mm (d) | 4.6 kg



product information



HIGHLIGHTS

- MonoZoom stand-alone digital microscope
- Zoom from 0.7x up to 5x
- 105 mm working distance
- 110 mm working distance with 0.5x lens
- Built-in incident LED ringlight
- Built-in 1080p 2 MP HD camera
- HD 11.6 inch screen, -5° to 15°
- Built-in mouse driven on-screen software
- Conveniently built-in capture button
- Removable 32 GB memory stick
- Metal stand
- 2 Years warranty



● Adjustable screen

SPECIFICATIONS

CENTRAL ZOOM OBJECTIVE

The digital MacroZoom MZ.5000 features a single zoom objective with a 0.7 to 5x zoom magnification. Zoom adjustment engravings on 1, 1.5, 2, 3, 4 and 5x. The working distance is 105 mm. Supplied with a 0.5x additional lens with a working distance of 110 mm

STAND

The Central Zoom Objective with attached screen and LED ringlight is mounted on a rack and pinion system that sits on a large 320 x 260 mm metal stand. Travel range is 225 mm

ILLUMINATION

A supplied 5,500 K LED ringlight with 56 LED's can be mounted under the microscope body. The intensity is adjustable

BUILT-IN CAMERA

Built-in HD 1080p high-definition 2 MP CMOS high speed camera, 1920 x 1080 pixels, 60 fps* with attached 11.6 screen. The standard field of view is 29.8 to 4.18 and with the 0.5x additional lens from 59 to 8.35. The camera has one HDMI output that can be connected either to the attached screen or to an external HD screen

Two other USB ports accept the supplied 32 GB USB memory stick (up to 128 GB) and a supplied wireless mouse that drives the built-in on-screen software. The operator can also take and save images to the SD card by pressing on a capture button at the right side of microscope body

BUILT-IN SOFTWARE

The built-in on-screen software is mouse driven and features functions such as Capture image, Freeze image, Automatic white balance, Automatic exposition, File manager, Grids and camera settings such as exposure time, gain, saturation, contrast, sharpness, HDR

Measurement functions are also available from the software such as line, area, angle. Images are saved in .jpg format and videos are saved in .avi format. With the digital zoom function, objects can be observed with a magnification up to 70 times

PACKAGE CONTENT

Supplied with 32 GB memory stick, mouse, short HDMI cable for attached screen, external 100-240 Vac / 12Vdc / 3 A power supply

* Frame rates were determined at optimal conditions

CAMERA FOR
EDUCATION AND
LABORATORIES

USB CAMERAS



CMEX USB-2.0 cameras with fast CMOS sensor

The CMEX-2f, CMEX-5f and CMEX-12f are equipped with a fast CMOS sensor. The CMEX cameras are equipped with USB-2.0 data interface

Besides capturing images and videos, the ImageFocus Plus software allows measurements on still and live images and annotations on captured images. Compatible with Windows 10 and higher, both 32 and 64 bits configurations. A MacOS version is also available. Free software can be downloaded from our website



HIGHLIGHTS

- Entry level camera for amateurs, education and laboratories
- 2.0, 5.0 or 12.0 MP
- 1920 x 1080 - 4000 x 3000 pixels
- Color depth 24 bits
- Low signal/noise ratio
- USB 2.0 interface



MODELS	Sensor	Sensor size (inch)	Pixels size (µm)	Resolutions	Max. frames (p/sec)*	Grayscale conversion	Color rendering	Dynamic (dB)	Sensitivity V/lux-sec (at 550 nm)	Product number
CMEX-2f	2.0 CMOS	1/2.9"	2.8 x 2.8	1920 x 1080	30	8 bits	24 bits	72	0.51	DC.2000f
CMEX-5f	5.0 CMOS	1/2.8"	2.0 x 2.0	2560 x 1920 1600 x 1200	30 50	8 bits	24 bits	72	2.0	DC.5000f
CMEX-12f	12.0 CMOS	1/2.3"	1.33 x 1.33	4000 x 3000 2592 x 1944	15 30	8 bits	24 bits	60	1.5	DC.12000f

The CMEX cameras are supplied with USB-2.0 cable, 30.0 and 30.5 mm to 23.2 mm conversion adapters for use with stereo microscopes and a 1 mm/100 (10 µm/division) calibration slide. The cameras are supplied with a 0.45x C-mount objective
*Frame rates have been determined at optimal conditions

DIGITAL SOLUTIONS 8

DIGITAL SOLUTIONS 8

USB CAMERAS

ADVANCED
CAMERAS FOR
EDUCATION



● CEMX-20 Pro

Advanced CEMX USB-3.0 cameras with CMOS sensor

The CEMX Pro cameras are equipped with a 5.1, 10 or 20 MP CMOS sensor with 12 bits grayscale conversion and a 24 bits color rendering. These cameras are equipped with a USB-3.0 data interface enabling fast frame rate

Besides capturing images and videos, the ImageFocus Alpha software allows measurements on still and live images and annotations on captured images. Compatible with Windows 10 and higher, both 32 and 64 bits configurations. A 2 GB RAM 2.8 GHz computer and 17 inch display is recommended. A MacOS version is available. Free software can be downloaded from our website

MODELS	Sensor	Sensor size (inch)	Pixels size (µm)	Exposure time	Resolutions	Max. frames (p/sec)*	Signal/ Noise (dB)	Dynamic (dB)	Sensitivity /lux-sec	Product number
CEMX-5 Pro	5.0 MP CMOS	1/2.5"	2.2 x 2.2	1 ms ~ 2000 ms	2592 x 1944 1296 x 972 640 x 486	16 50 98	39	68.	1.76 V	DC.5000-PRO
CEMX-10 Pro	10 MP CMOS	1/2.3"	1.67 x 1.67	1 ms ~ 2000 ms	3584 x 2746 1792 x 1372	8 25	35.5	63.5	0.31 V	DC.10000-PRO
CEMX-20 Pro	20 MP CMOS	1/1.8"	1.4 x 1.4	0.2 ms ~ 15 s	5120 x 3840 2560 x 1920	20 45	39.3	63.8	8.4 ke	DC.20000-PRO

The CEMX-5 Pro, -10 Pro and -20 Pro cameras are supplied with USB-3.0 cable, 30.0 and 30.5 mm adapters to use with stereo microscopes, 1 mm/100 (10 µm/division) calibration slide. The CEMX-5 Pro and -10 Pro are supplied with a 0.5x C-mount objective, the -20 Pro with a 0.75x C-mount objective

* Frame rates have been determined at optimal conditions

USB CAMERAS

SCIENTIFIC
GRADE CAMERAS
FOR EDUCATION



● sCMEX

sCMEX USB-3.0 cameras with scientific grade sCMOS sensor

These cameras are equipped with a scientific grade back illuminated Sony sCMOS sensor with 16 bits grayscale conversion and an outstanding 36 bits color rendering. Suitable for brightfield, darkfield and fluorescence. The cameras are equipped with a USB-3.0 data interface and supplied with ImageFocus Alpha software

Besides capturing images and videos, the ImageFocus Alpha software allows measurements on still and live images and annotations on captured images. Compatible with Windows 10 and higher, both 32 and 64 bits configurations. Also compatible with MacOS. PC requirements: Intel Core2 2.8 GHz or higher or equivalent, 2 GB memory, USB-3.0 port, 17 inch display. Free software can be downloaded from our website

MODELS	Sensor	Sensor size (inches)	Pixels size (µm)	Exposure time (ms)	Resolutions	Max. frames (p/sec)*	Color rendering	Dynamic range (dB)	S/N Ratio (dB)	Sensitivity V/lux-sec	Product number
sCMEX-6	6.3 MP sCMOS	1/1.8"	2.5 x 2.5	0.1 ~ 15,000	3072 x 2048 1536 x 1024	30 38	36 bits	66.8	44.51	0.15	DC.6000s
sCMEX-12	12 MP sCMOS	1/1.6"	2.0 x 2.0	0.013 ~ 15,000	3536 x 3536 1768 x 1768	27 60	36 bits	69.8	40.7	0.17	DC.12000s
sCMEX-20	20 MP sCMOS	1"	2.4 x 2.4	0.1 ~ 15,000	5440 x 3648 2736 x 1824 1824 x 1246	15 50 60	36 bits	66.3	44.74	0.21	DC.20000s
sCMEX-32	32 MP sCMOS	1.15"	2.3 x 2.3	0.1 ~ 15,000	5600 x 5600 2800 x 2800 1400 x 1400	8.1 30 30	36 bits	88	50	0.43	DC.32000s

The sCMEX cameras are supplied in a carton box with USB-2.0 cable, 30.0 and 30.5 mm to 23.2 mm conversion adapters for use with stereo microscopes, 1 mm/100 (10 µm/division) calibration slide. The DC.6000s is supplied with a 0.5x objective, the DC.12000s is supplied with a 0.75x objective and the DC.20000s and DC.32000s are supplied with a 1.0x adapter

* Frame rates have been determined at optimal conditions

WIFI CAMERA

WIFI CAMERA



CMEX-5 WiFi-4

digital WiFi camera with 1/1.8 inch 4 MP CMOS sensor

The CMEX-5 WiFi-4 camera is equipped with a 4.0 MP Sony CMOS sensor with 12 bits grayscale conversion and a 24 bits color rendering and it can be used either through the USB data interface or through the WiFi interface

The CMEX camera streams H.264 encoded high resolution images simultaneously to several WiFi enabled smartphones, tablets or computers with iOS, Android or Windows operating systems

Power supply through USB charger or computer USB port. Standard C-mount mounting

Adding a WiFi camera to your microscope is ideal for wireless sharing/viewing of microscope images. Ideal for demonstrations where remote viewing is needed

Android app for this camera is available on www.euromex.com. IOS app can be downloaded from the App Store (free of charge). ImageFocus Alpha software can be used by means of WiFi on PC's and Macs and is available on www.euromex.com

The camera is powered by the included USB charger or a computers USB port. Standard 0.5x C-mount objective is included

MODEL	Sensor	Sensor size (inches)	Pixels size (µm)	Resolutions	Grayscale conversion	Color rendering	Signal/ Noise(dB)	Dynamic (dB)	Sensitivity V/ lux-1/30 s	Product number
CMEX-5 WiFi-4	4.0 MP CMOS	1/1.8"	2.9 x 2.9	2688 x 1512	12 bits	24 bits	44	48	921	DC.5000-WIFI-4

The CMEX-5 WiFi-3 camera is supplied in a box with USB cable, 30.0 and 30.5 mm adapters to use with stereo microscopes, and a 0,5x C-mount objective

COOLED CAMERAS

COOLED CAMERAS FOR EDUCATION



DC.20000i and DC.6000i



Cooled color camera with CCD or CMOS sensor

The Euromex 6 and 20 Megapixel Peltier cooled cameras are equipped with Peltier cooling elements that allow the camera to be used for fluorescence and other low light applications. These advanced and premium models are supplied with a USB-3.0 interface

ImageFocus Alpha software has specific functions for fluorescence like combining capture fluorescence images. Furthermore it allows capturing of images and videos, doing measurements and annotations, generating reports, live image stitching etc. Compatible with Windows 10 and higher, both 32 and 64 bits configurations. Free software is available on www.euromex.com. A MacOS version is also available (with a few differences in features)

MODELS	Sensor	Sensor size (inches)	Pixel size (µm)	Resolutions	Max. frames (p/sec)*	USB-3	Dynamic range (dB)	S/N Ratio	Sensitivity @ 1/30 sec	Peltier cooling
DC.6000i	6.0 MP CCD	1"	4.54 x 4.54	2748 x 2200 2748 x 1092	7.5 14	•	62.34	41.6	880 mV	•
DC.20000i	20 MP CMOS	1"	2.4 x 2.4	5440 x 3648 4096 x 2160 2736 x 1824 1824 x 1216	5 10 15 30	•	66.3	41.74	462 mV	•

* Frame rates have been determined at optimal conditions

HD AND HD-AUTOFOCUS CAMERAS



(Ultra) high-definition cameras

CMOS color cameras

These UHD-4K and HD cameras offer the perfect solution to modern microscopy where real-time images are needed. These HD image quality cameras can be used with biological, metallurgical or stereo microscopes

STAND-ALONE MODE

To use these cameras you do not need a computer or have any computer knowledge. Most camera settings are done automatically and therefore these cameras are very user-friendly. This results in faster, more flexible and compact working conditions. Simply connect the camera to a high-definition dedicated 11.6" or 13" HD screen, TV-HD or HD-beamer with a HDMI input and the system is ready to go. The mouse driven built-in software of the camera enables captured images and recorded videos to be saved on the integrated SD memory card

Almost all HD cameras offer a full range of measuring functions on live and captured images

COMPUTER CONTROLLED MODE

Users who want more camera controls and more functions can also connect the camera to a computer and benefit from the extensive functions of the Euromex ImageFocus software. It runs on Windows 10 and higher, both 32 and 64 bits. Besides extended camera settings, the software can save images in JPG, TIFF or BMP formats and record videos in .avi format on the hard disk of the computer. The software offers different measurement functions on live and captured images and also full control over the camera parameters

HIGHLIGHTS

- (Ultra) high-definition cameras
- Real-time images directly on TV, monitor or beamer
- Stand-alone or computer controlled mode
- Built-in mouse-driven software and SD memory card
- HDMI, USB-2.0/3.0
- GbE (Ethernet) (VC.3042)
- WiFi (VC.3042 and VC.3034)
- Autofocus model available
- Compatible with ImageFocus software



VC.3036-HDS on stereo microscope



VC.3034-HDS on the BioBlue

PACKAGE CONTENT*

MODELS	HD-Mini 2.0 MP	HD-Lite 5.0 MP	HD-Pro 8.0 MP	HD-Ultra 6.0 MP	UHD-4K Touch 8.0 MP	UHD-4K 8.3 MP	UHD-4K-16 16 MP
C-mount with objective	0.37x	0.45x	0.37x	0.37x	0.5x	0.5x	1x
30 and 30.5 mm adapters	•	•	•	•	•	•	•
SD card	32 GB	16 GB	32 GB	16 GB	32 GB	32 GB	32 GB
Caibration slide 10mm/100	•	•	•	•	•	•	•
External power supply	12V 1A	12V 2A	12V 1A	12V 2A	12V 2A	12V 1A	12V 1A
Dimensions (w x d x h)	51ø x 60 50 x 50 x 60	80 x 70 x 90	81 x 65 x 78	80 x 70 x 90	88 x 78 x 65	88 x 78 x 65	88 x 78 x 65
Product number	VC.3023	VC.3031	VC.3039	VC.3036	VC.3043	VC.3045	VC.3048
With HD screen	13" VC.3024-HDS	11.6" VC.3031-HDS	13" VC.3039-HDS	11.6" VC.3036-HDS	13" Touch VC.3043-HDS	13" VC.3045-HDS	13" VC.3048-HDS

ALL HD-CAMERAS

MODELS	HD-Mini	HD-Lite	HD-Pro HDMI	HD-Ultra	UHD-4K Touch	UHD-4K	UHD-4K-16
Sensor	Sony	Sony	Sony	Sony	Sony 4K	Sony 4K	Sony 4K
Format	1/2.8", HDTV 1080p	1/2.8", HDTV 1080p	1/2.8", HDTV 1080p	1/2.8", HDTV 1080p	1/1.8", HDTV 4K	1/1.8", HDTV 4K	1/1.1", HDTV 4K
Resolution*	1920 x 1080 ^(1,2) 60 fps*	2592 x 1944 ⁽¹⁾ 1920 x 1080 ⁽²⁾ 15 fps*	3840 x 2160 ⁽¹⁾ 1920 x 1080 ⁽²⁾ 26-60 fps*	3264 x 1836 ⁽¹⁾ 1920 x 1080 ⁽²⁾ 30-60 fps*	3840 x 2160 ^(1,2) 20-30 fps*	3840 x 2160 ^(1,2) 30-60 fps*	5440 x 3060 ⁽¹⁾ 5440 x 3060 (USB 3.0) ⁽²⁾ 20-30 fps*
Pixel size	2.9 x 2.9 (µm)	2.0 x 2.0 (µm)	1.45 x 1.45 (µm)	2.8 x 2.8 (µm)	2.0 x 2.0 (µm)	2.0 x 2.0 (µm)	2.4 x 2.4 (µm)
Video output	HDMI	HDMI, USB-2.0	HDMI, USB-C	HDMI, USB-2.0	HDMI, USB-2.0	HDMI, USB-3.0 ⁽³⁾ , Ethernet, WiFi	HDMI, USB-3.0 ⁽³⁾ , Ethernet, WiFi
Exposure	Automatic/manual	Automatic/manual	Automatic/manual	Automatic/manual	Automatic/manual	Automatic/manual	Automatic/manual
White balance	Automatic/manual	Automatic/manual	Automatic/manual/ROI	Automatic/manual	Automatic/manual/ROI	Automatic/manual/ROI	Automatic/manual/ROI
Sensitivity lux-sec	1300 mV	1000 mV	300 mV (1/30s)	510 mV	505 mV	3541 mV with 1/30 s	1847 mV with 1/30 s
Color rendering	12 bits	24 bits	24 bits	36 bits	32 bits	36 bits	36 bits
Signal/Noise (db)	42	40.5	38	55	40.5	40.5	40.6
Dynamic (db)	69	60	66	69	60	60	48
Interface	HDMI	HDMI, USB-2	HDMI, USB-C	HDMI, USB-2	HDMI, USB-2	HDMI, USB-3 ⁽³⁾ , Ethernet, WiFi	HDMI, USB-3 ⁽³⁾ , Ethernet, WiFi
Camera buttons	--	on/off	on/off	on/off	on/off	on/off	on/off
Mounting	C-mount	C-mount	C-mount	C-mount	C-mount	C-mount	C-mount
Storage	32 GB SD card (max.128 GB)	16 GB SD card (max. 32 GB)	32 GB SD card (max. 128 GB)	16 GB SD card (max. 32 GB)	32 GB SD card (or USB drive)	32 GB SD card (or USB drive)	32 GB SD card (or USB drive)
Software	--	ImageFocus Plus	ImageFocus Alpha	ImageFocus Plus	ImageFocus Alpha	ImageFocus Alpha	ImageFocus Alpha
Software languages	--	13 ⁽⁵⁾	15 ⁽⁶⁾	13 ⁽⁵⁾	15 ⁽⁶⁾	15 ⁽⁶⁾	15 ⁽⁶⁾
External power supply	100-240 Vac to 12Vdc/1A	100-240 Vac to 12Vdc/2A	100-240 Vac to 12Vdc/2A	100-240 Vac to 12Vdc/2A	100-240 Vac to 12Vdc/2A	100-240 Vac to 12Vdc/1A	100-240 Vac to 12Vdc/1A
Relative humidity	30 - 80 %	45 - 85 %	30 - 80%	45 - 85 %	30 - 80 %	30 - 80 %	30 - 80 %
Temperature Operation Storage	-10 - 50° C -20 - 60° C	0 - 60° C -20 - 70° C	-10 - 50° C -20° C - 60° C	0 - 60° C -20 - 70° C	-10 - 50° C -20 - 60° C	-10 - 50° C -20 - 60° C	-10 - 50° C -20 - 60° C
Compatible	--	Win 10 + higher MacOS	Win 10 + higher MacOS, Linux	Win 10 + higher MacOS	Win 10 + higher MacOS, Linux	Win 10 + higher MacOS, Linux	Win 10 + higher MacOS, Linux
Product number	VC.3023 VC.3024-HDS ⁽⁴⁾	VC.3031 VC.3031-HDS ⁽⁴⁾	VC.3039 VC.3039-HDS ⁽⁴⁾	VC.3036 VC.3036-HDS ⁽⁴⁾	VC.3043 VC.3043-HDS Touch ⁽⁴⁾	VC.3045 VC.3045-HDS ⁽⁴⁾	VC.3048 VC.3048-HDS

* Frame rates depend on resolution and output mode and have been determined at optimal conditions

⁽¹⁾ capture mode (resolution depends on output mode)

⁽²⁾ live view (resolution depends on output mode)

⁽³⁾ USB-2.0 compatible but limitations in speed and resolution

⁽⁴⁾ model with attached HD screen, 1080p

⁽⁵⁾ English, Chinese Simplified, Traditional Chinese, Thai, German, Italian, French, Korean, Japanese, Russian, Polish and portugese

⁽⁶⁾ English, Catalan, Indonesian, Polish, Chinese Simplified,

Traditional Chinese, Thai, German, Italian, French, Korean, Japanese, Russian, Turkish, Spanish

BUILT-IN SOFTWARE FEATURES (HDMI MODE)

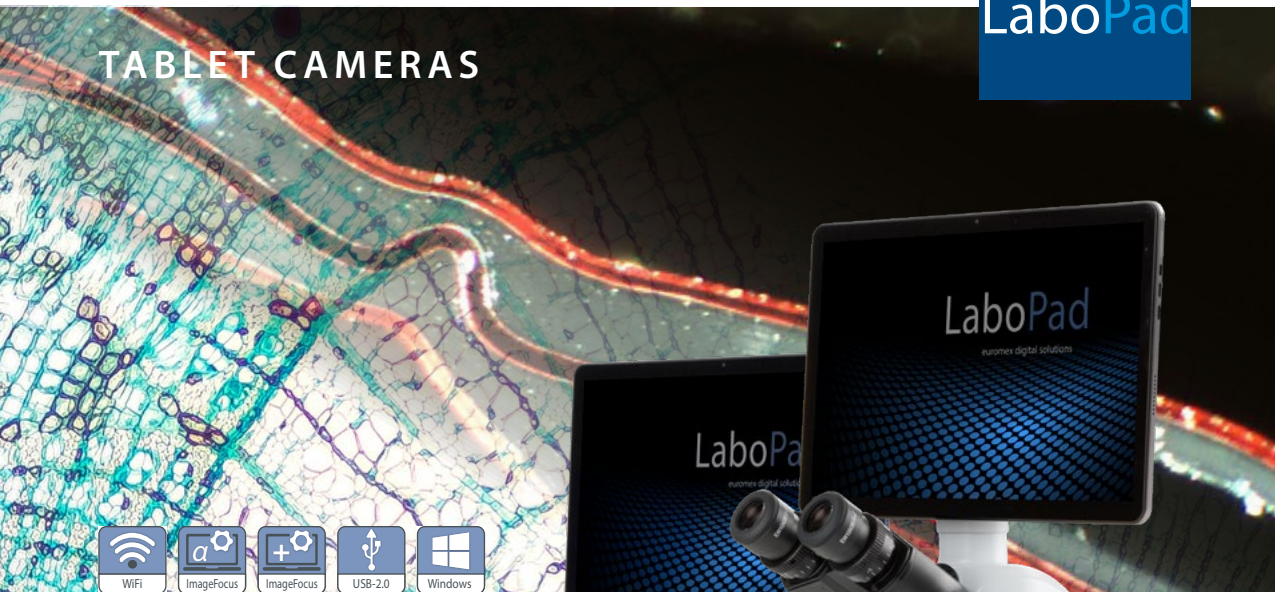
MODELS	HD-Mini	HD-Lite	HD-Pro HDMI	HD-Ultra	UHD-4K Touch	UHD-4K	UHD-4K-16
Image capturing (JPEG)	1920 x 1080	2592 x 1944	3840 x 2160	3261 x 1840	3840 x 2160	3840 x 2160	5440 x 3060
Video recording	1920 x 1080 MP4	1920 x 1080 AVI	1920 x 1080 MP4	1920 x 1080 AVI	3840 x 2160 MP4	3840 x 2160 MP4	3840 x 2160 MP4
Browse saved images
Browse saved video's
Mouse driven
Auto exposure
Exposure time	0.01 ~ 1000 ms	0.001s ~ 10 s	0.04 ~ 1000 ms	0.001s ~ 10 s	0.04 ~ 1000 ms	0.04 ~ 1000 ms	0.04 ~ 1000 ms
Gain
RGB & white balance
Gamma
Sharpness
Noise reduction	3D algorithm	3D algorithm	3D algorithm	3D algorithm	standard noise reduction	3D algorithm	3D algorithm
Saturation & contrast
Horiz. & vert. flip
Grids	multi	multi	User defined	cross/multi	cross/multi	cross/multi	cross/multi
Autofocus	--	--	--	--	--	--	--
Compare function	--
Measurement functions	captured & live images	--	captured & live images	captured & live images	captured & live images	captured & live images	captured & live images
Line & free curve	--	--
Polygon & rectangle	--	--
Angle	--	--
Circle 3 points	--	--
Circle radius	--	--
Export function	--	--	CSV	CSV, Txt	CSV	CSV	CSV
Languages	10 ⁽⁴⁾	9 ⁽³⁾	10 ⁽⁴⁾	9 ⁽³⁾	10 ⁽⁴⁾	10 ⁽⁴⁾	10 ⁽⁴⁾
Product number	VC.3023 VC.3024-HDS ⁽⁴⁾	VC.3031 VC.3031-HDS	VC.3039 VC.3039-HDS	VC.3036 VC.3036-HDS	VC.3043 VC.3043-HDS Touch	VC.3045 VC.3045-HDS	VC.3048 VC.3048-HDS

HDMI mode

⁽³⁾ English, Chinese Simplified, Traditional Chinese, German, Italian, French, Korean, Japanese, Spanish

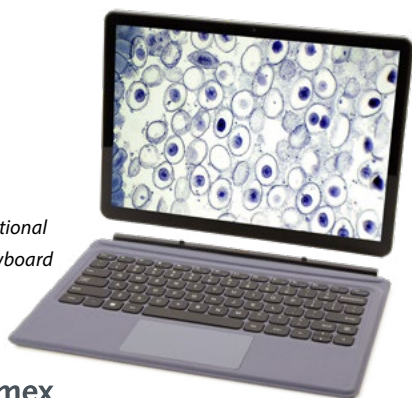
⁽⁴⁾ English, Chinese Simplified, Traditional Chinese, Thai, German, Italian, French, Korean, Japanese, Russian

TABLET CAMERAS



LaboPad

Discover the LaboPad – a versatile **tablet microscope camera system** that can easily be mounted onto your microscope. Capture stunning images and videos, then edit and analyze them with powerful ImageFocus software. The LaboPad can be detached for use as a regular tablet, offering flexibility in and out of the lab. An optional attachable keyboard adds even more functionality, making it the perfect all-in-one solution for modern microscopy



● LP.1000, optional click-on keyboard



product information

SOFTWARE

LaboPad USB camera works with ImageFocus Plus software and LaboPad with WiFi camera works with ImageFocus Alpha. The WiFi camera can also be operated using IOS or Android apps



● LaboPad, detachable, take it anywhere

SPECIFICATIONS

Processor	Quad Core max 3.3 GHz HD graphics processor
Screen	12.1 inch IPS 2160*1440 / 3:2
Memory	12 GB
Storage	512 GB Flash HDD, micro SD/SDHC slot for cards up to 64 GB
Webcam	2 MP front and 5MP rear camera
Connectivity	2x USB-C, WiFi 6 and Bluetooth 4.0
Audio	Stereo with 3.5 mm audio jack, internal microphone and speaker
Battery	Lithium, 38Wh, 5000mA
Weight	0.8 KG (tablet) 4.8 kg (complete)
System	Windows 11
Software	ImageFocus Plus or -Alpha, depending on version

Specifications can be changed by Euromex microscopen bv without notice. Consult website to check latest specifications

MODELS	Camera (MP)	Sensor size	Resolution	Pixels size (µm)	ADC	Color rendering	Dynamic (dB)	Sensitivity	Software	Product number
LaboPad-2	2.1	1/2.9"	1920 x 1080	2.8 x 2.8	12 bits	24 bits	--	0.51 V/lux-sec	IF Plus	LP.2000f
LaboPad-5	5.1	1/2.8"	2592 x 1920	2.0 x 2.0	12 bits	24 bits	72 dB	2.0 V/lux-sec	IF Plus	LP.5000f
LaboPad-12	12.0	1/2.3"	4072 x 3176	1.33 x 1.33	8 bits	24 bits	60 dB	1.5 V/lux-sec	IF Plus	LP.12000f
LaboPad-WiFi	4	1/1.8"	2688 x 1512	2.9 x 2.9	12 bits	24 bits	48 dB	0.9 V/lux-1/30 sec	IF Alpha	LP.5000-WiFi

All LaboPads have ImageFocus preinstalled
The WiFi model connects to the pad via USB or WiFi, but allows use of the ImageFocus apps (IOS/Android)
All LaboPad models are supplied with a C-mount objective that fits the standard 23.2 mm trinocular tubes

HIGHLIGHTS

- 12.1" Tablet with microscope camera
- 2160 x 1440 pixels touch screen
- Windows 11
- ImageFocus Plus software for PC
- IF Alpha for WiFi enabled PC, Android and iOS devices
- Tablet can be fully detached from camera
- Optional keyboard

SOFTWARE

The software is compatible with all cameras mentioned in table below. Besides live imaging the software captures images in various formats and video in .avi format

IMAGE FOCUS 4	
DC.1300c	

IMAGE FOCUS PLUS	
VC.3031(-HDS)	DC.2000f
VC.3036(-HDS)	DC.5000f
	DC.12000f

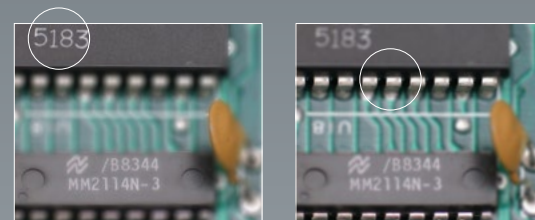
IMAGE FOCUS ALPHA	
MZ.4700(-HDS)	DC.5000-WiFi-4
MZ.4702(-HDS)	DC.6000i
	DC.20000i
VC.3039(-HDS)	DC.6000s
VC.3043(-HDS)	DC.12000s
VC.3045(-HDS)	DC.20000s
VC.3048(-HDS)	DC.5000-Pro
	DC.10000-Pro
	DC.20000-Pro
	DC.32000-PRO

IMAGE STITCHING

Image stitching is the process of combining multiple images with overlapping fields of view to produce one image

EXTENDED DEPTH OF FOCUS

"The extended depth of focus" function in the ImageFocus Alpha software or "stacking software, allows to combine a number of digital images of a object, focused at different focus planes, into one final image with much greater depth of field (see illustration below)



ImageFocus Plus software

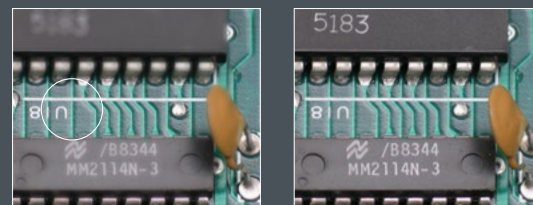
ImageFocus Plus has a wide range of functions: Measurements on still and live image
 Extended depth of focus and stitching on still and live image (only with VC.3036 and VC.3031 cameras)
 Images can be saved in .jpg, .tif, .bmp or .dicom formats as well as .avi and mpeg-4 format videos
 The brightness, contrast and saturation of captured images can be adjusted
 Camera parameters for exposure time, white balance and color control are easily accessible
 The software also has specific functions for fluorescence such as combining captured fluorescence images
 Compatible with Windows 10 and higher, both 32 and 64 bits configuration. A MacOS version is also available

PC requirements: Intel Core2 2.8 GHz or higher or equivalent, 2 GB memory or more, 17" screen

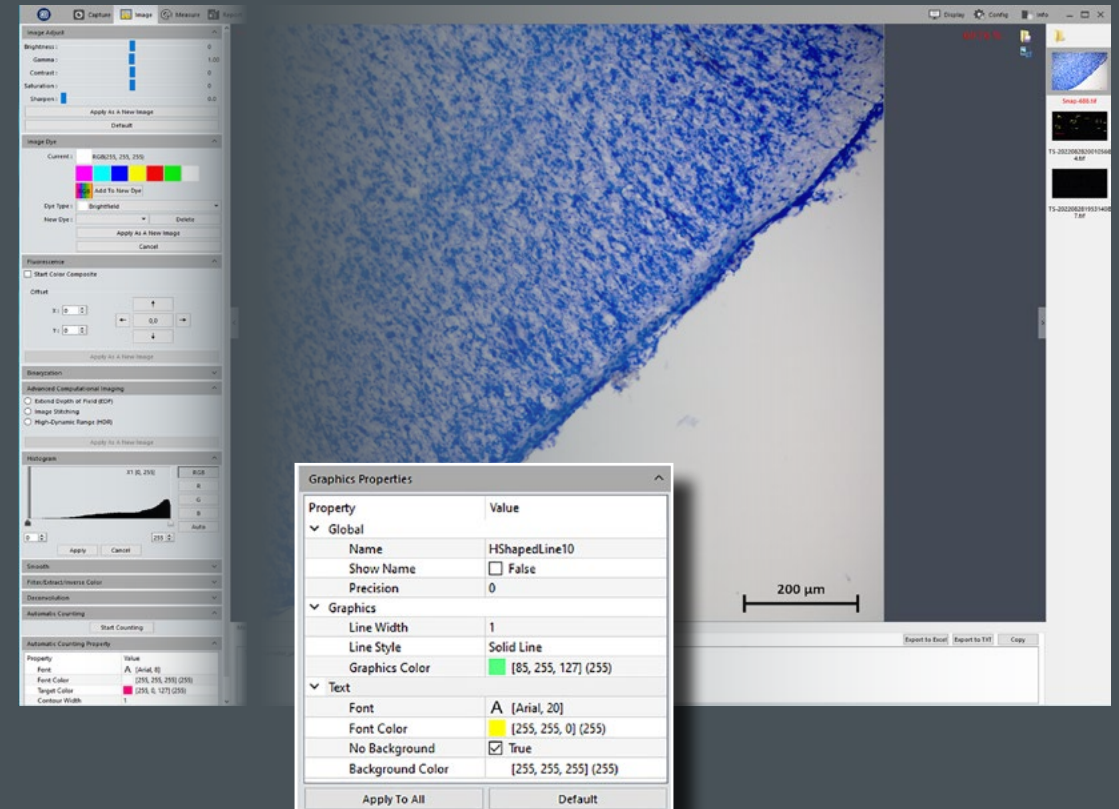
ImageFocus Plus software features English, German, French, Dutch, Spanish and Russian



downloads



FREE UPDATES AVAILABLE ON EUROMEX.COM





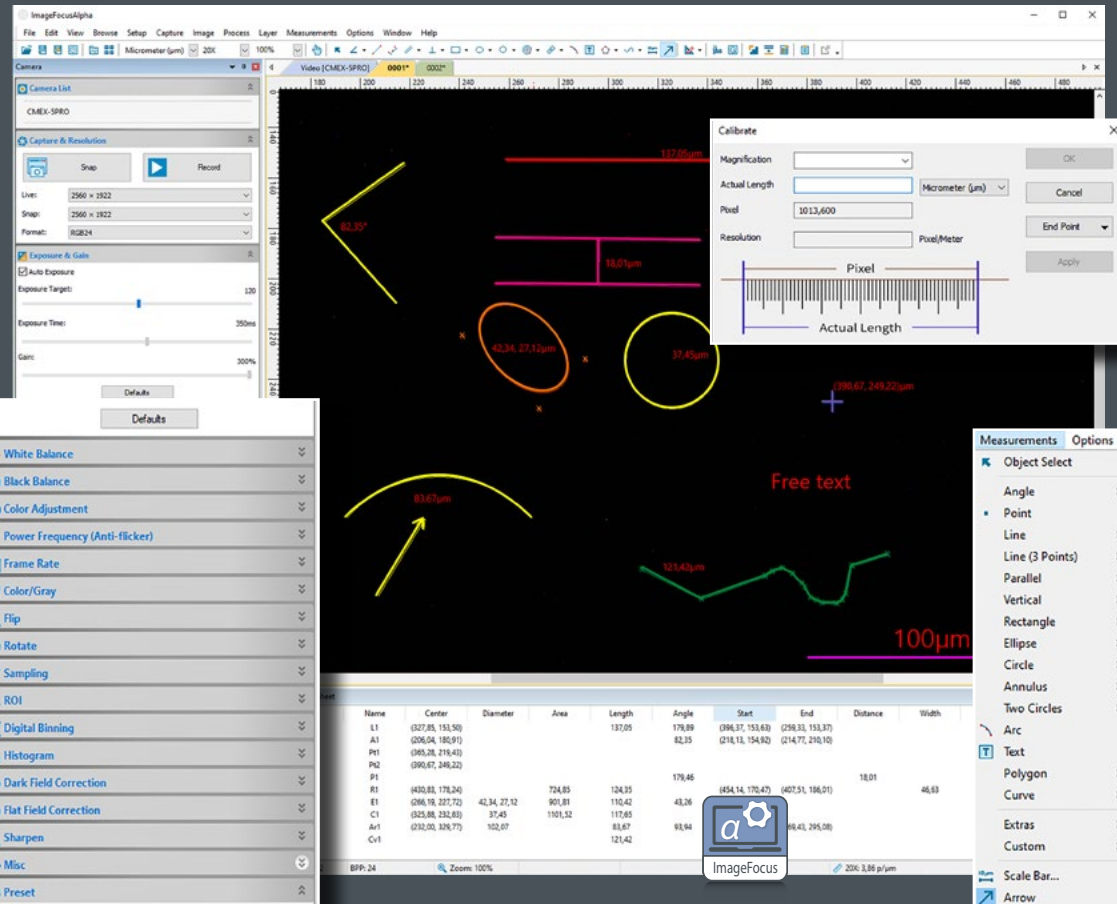
ImageFocus Alpha software

ImageFocus Alpha has a wide range of functions:

- Measuring, segmentation & counting, stitching of images, extended depth of focus, etc
- Images can be saved in .jpg, .tif, .bmp or .dicom formats as well as .avi format videos
- The brightness, contrast and saturation of captured images can be adjusted
- Camera parameters for exposure time, white balance and color control are easily accessible

- The software also has specific functions for fluorescence such as combining captured fluorescence images
- Compatible with Windows 10 and higher, both 32 and 64 bits configuration. A MacOS version is also supplied (with a few differences in features)
- PC requirements: Intel Core2 2.8 GHz or higher or equivalent, 2GB memory or more, 17" screen

One language can be selected during initial installation of the ImageFocus Alpha software English, Catalan, French, German, Indonesian, Italian, Japanese, Korean, Polish, Russian, Simplified Chinese, Spanish, Thai, Traditional Chinese, Turkish



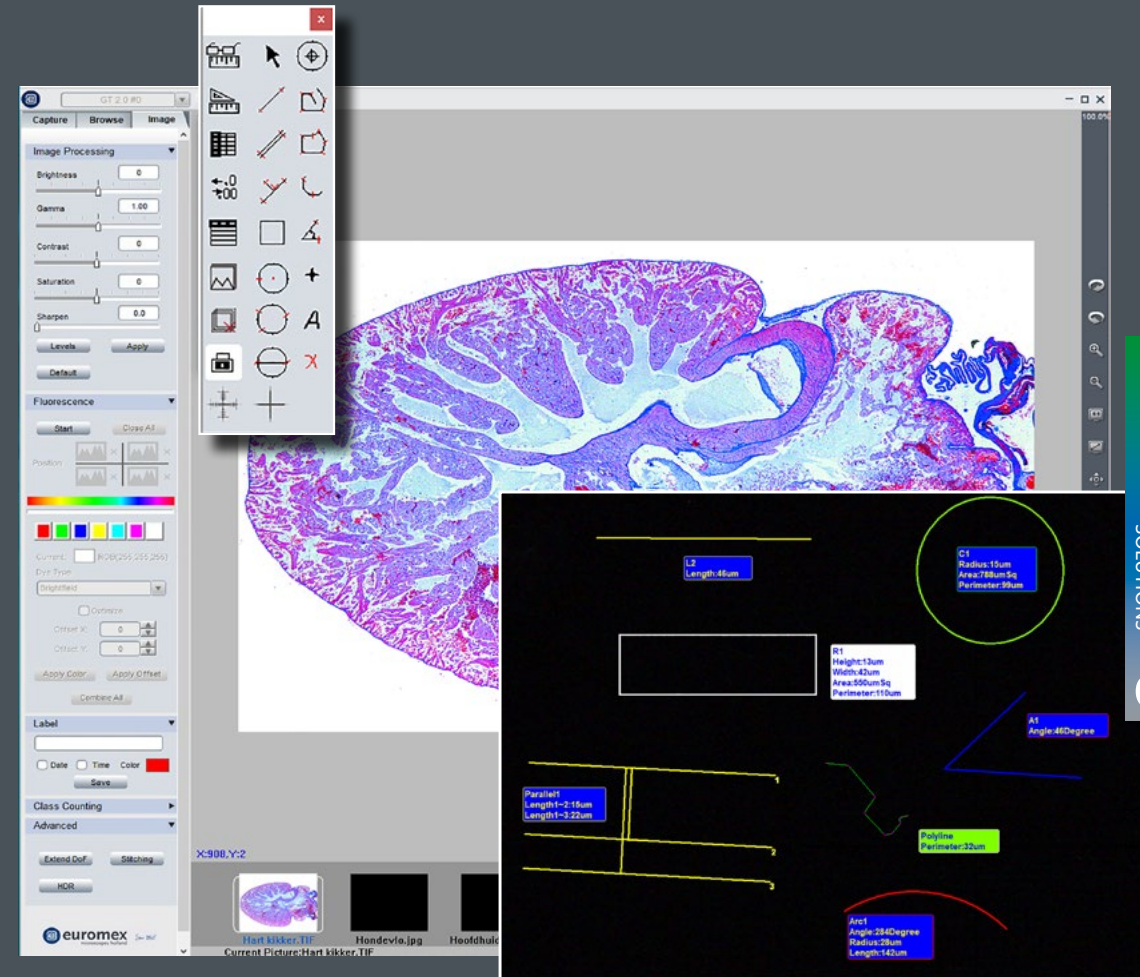
ImageFocus 4 software

ImageFocus 4 has a wide range of functions:

- Measurements can be done on still and live image
- Images can be saved in .jpg, .tif, or .bmp formats as well as .avi format videos
- The brightness, contrast and saturation of captured images can be adjusted
- Camera parameters for exposure time, white balance and color control are easily accessible

- The software also has specific functions for fluorescence such as combining captured fluorescence images
 - Compatible with Windows 10 and higher, both 32 and 64 bits configuration. A MacOS Light version is also available for capturing images*
 - PC requirements: Intel Core2 2.8 GHz or higher or equivalent, 2GB memory or more, 17" screen
- * Mac version not available for VC Series

One language can be selected during initial installation of the ImageFocus 4 software: English, German, French, Dutch, Spanish and Russian





ImageFocusLabs

software for materials science

ImageFocusLabs is specifically designed to support your daily microscopy routines, micro-imaging and microstructure analysis. With an intuitive and user-friendly interface, the software streamlines your quality control procedures, improving both accuracy and consistency

Easy to use control panels guide you step-by-step through each analysis, removing guesswork and ensuring reliable, repeatable results

TWO EDITIONS – SCALABLE TO YOUR NEEDS

ImageFocusLabs is available in two versions. These two options ensure a tailored solution for every laboratory. Software is supplied on a encrypted, licensed USB-dongle.

ImageFocusLab Grain size:
Includes Image capture +
Manual and Auto Measurements tools
Manual Count, Annotations
ASTM Grain Size analysis as per ASTM E112
Product number: SW.1051-G

ImageFocusLab Cast iron size:
Includes Image capture +
Manual and Auto Measurements tools
Manual Count, Annotations
Cast Iron analysis as per ASTM A247
Product number: SW.1051-C

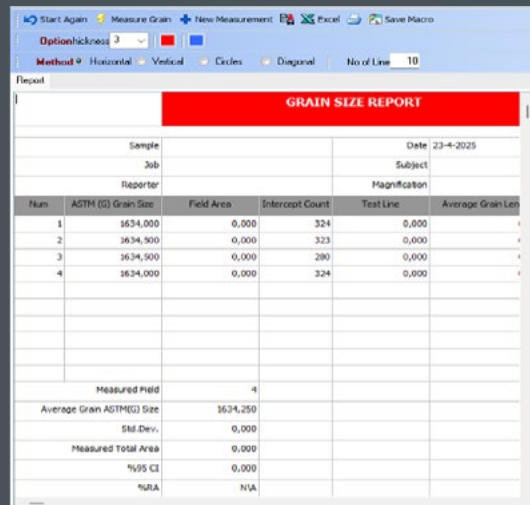
OPTIMIZED FOR EUROMEX MICROSCOPY SYSTEMS

ImageFocusLabs is engineered for seamless integration with Euromex CMEX-PRO and sCMEX cameras, as well as the full range of Euromex metallurgical and stereo microscopes. With this perfect synergy between hardware and software, Euromex delivers a complete turnkey solution for high-performance metallurgical analysis and documentation

Key features

CUSTOMIZED REPORTING & USER SUPPORT

- Automatically compiled report sheets for all measurements according to industry standards
- Easy export to Excel
- Add your company logo, calibration scale, annotation text and arrows
- Save images with measurement overlays
- Access the built-in user manual with one click

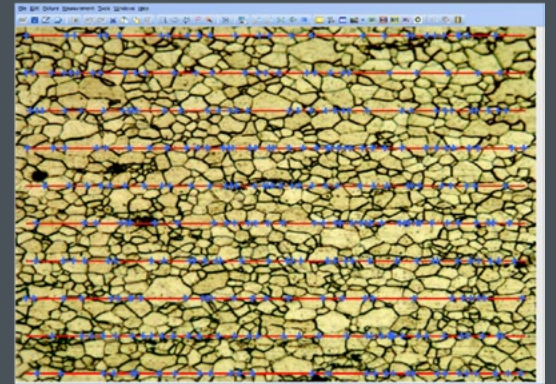


Grain size analysis

Grain boundaries are detected automatically

Calculates grain size using:

- Horizontal, vertical, diagonal and circular intercept methods
- ASTM Grain Size Number (G value)
- 95% Confidence Interval and Relative Accuracy (RA)
- Comprehensive reporting included

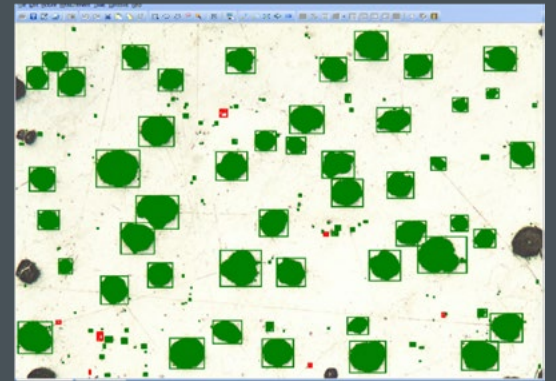


Cast iron size analysis

NODULARITY ANALYSIS

Conforms to ASTM A247, automatically measures graphite percentage, nodule density per mm², nodularity by area and count, classification and color-coding from class 1 to 8, ferrite and pearlite matrix percentages

Results are automatically compiled into a clear, structured report with multi-image statistics



PHASE ANALYSIS (%)

Segment and quantify metallurgical phases like Ferrite, Pearlite and Graphite using threshold-based selection.



SPHERICITY

Calculates the percentage of round (spheritized) graphite particles: (based on ASTM A247)

Adjustable shape factor (default 0.6), counts spherical and non-spherical particles, includes pore/particle size distribution tables and color-coded classifications



PARTICLE SIZE & PORE ANALYSIS

Detect and measure micro-objects or pores, categorize by radius and diameter and export full results to Excel.

GRAY IRON & FLAKE ANALYSIS

Analyzes and classifies graphite flakes:

Measures flake length and class

Calculates average % graphite, Ferrite and Pearlite

All data integrated into a single report

FOR ALL
MICROSCOPE
CAMERAS

ADAPTERS



adapters



● AE.5130

● NZ.9850

adapter guide

microscope and camera

Most Euromex cameras are supplied with a photo port C-mount adapter to connect it to any Euromex trinocular microscope*. Monocular microscopes require the removal of the eyepiece so that the camera can be fitted into the 23.2 mm tube. Binocular microscopes require the removal of an eyepiece plus an additional mechanical adapter. To connect our cameras to another microscope brand, see adapter references below:

* Except for the Oxion, Oxion Inverso and Delphi-X Inverso series. They need an additional adapter. See next page

MODELS	1/3 inch camera	1/2 inch camera	2/3 inch camera	1 inch camera
Leica ⁽¹⁾	AE.9835-L (0.35x)	AE.9855-L (0.55x)	AE.9870-L (0.70x)	AE.9810-L (1x)
Olympus ⁽²⁾	AE.9835-O (0.35x)	AE.9850-O (0.50x)	AE.9863-O (0.63x) AE.9880-O (0.80x)	AE.9810-O (1x)
Zeiss ⁽³⁾	AE.9835-Z (0.35x)	AE.9850-Z (0.50x)	AE.9865-Z (0.65x) AE.9880-Z (0.80x)	AE.9810-Z (1x)
Zeiss PrimoStar 3 ⁽⁴⁾	AE.9835-ZP3 (0.35x)	AE.9850-ZP3 (0.50x)	AE.9865-ZP3 (0.65x)	AE.9810-ZP3 (1x)
Zeiss ZA ⁽⁵⁾	--	AE.9850-ZA (0.50x)	AE.9863-ZA (0.63x) AE.9880-ZA (0.80x)	AE.9810-ZA (1x) AE.9812-ZA (1.2x)
Nikon ⁽⁶⁾	AE.9835-N (0.35x)	AE.9855-N (0.55x)	AE.9870-N (0.70x) AE.9880-N (0.80x)	AE.9810-N (1x)

⁽¹⁾ Leica DM, 35 mm to 25.4 mm C-mount, stainless steel

⁽²⁾ Olympus CX, CX2, BX, BX2, IX, MX, GX, SZX, STM, 42 mm to 25.4 mm C-mount, anodized aluminum

⁽³⁾ Zeiss PrimoStar, PrimoStar Vert, 30 mm to 25.4 mm C-mount, anodized aluminum

⁽⁴⁾ Zeiss PrimoStar, C-mount, anodized aluminum

⁽⁵⁾ Zeiss 60N-C, 60N-T2 photo ports of Axio examiner, Axio Imager, Axio Lab, Axio Observer, Axio Scope, Axio Zoom, Stemy 508 and SteREO Discovery

⁽⁶⁾ Nikon E100, E200, 50i, 55i, 80i, 90i, Ni series, Ti Series, SMZ800, SMZ1000, SMZ15000, 38 mm to 25.4 mm C-mount, stainless steel

Standard C-Mount: 25.4 mm (1 inch) diameter with 32 threads per inch

● AE.9835-L



23.2 MM PHOTO PORT C-MOUNT ADAPTERS

Suitable for all Ø 23.2 mm (photo) tubes

- DC.1324** C-mount adapter with 0.45x objective for 1/2" camera
 - DC.1353** C-mount adapter with 0.37x objective, fixed focal length and short barrel*. For 1/3" camera
 - DC.1355** C-mount adapter with 0.50x objective, fixed focal length and short barrel*. For 1/2" camera
 - DC.1357** C-mount adapter with 0.75x objective, fixed focal length and short barrel*. For 2/3" camera
 - DC.1359** C-mount adapter with 1x lens, fixed focal length and short barrel, for standard 23.2 mm tube and 1" camera
 - DC.1330** 30 mm to 23.2 mm conversion adapters
 - DC.1335** 30.5 mm to 23.2 mm conversion adapters
- * for increased light efficiency



● DC.1355 ● DC.1330 / DC.1335 ● DC.1324



● AE.5130 ● AE.5120-2

PHOTO PORT ADAPTERS

Suitable for Euromex microscopes with a photo port such as Achios-X Observer, Achios-X Inverso, Oxion Inverso, NexiusZoom, StereoBlue, Delphi-X Observer and Delphi-X Inverso

Achios-X Observer

- AX.9850** C-mount adapter 0.5x (standard included)
- AX.9810** C-mount adapter 1x

Achios-X Inverso, AI.1053 and AI.3153 models

- AI.9810-3** C-mount photo adapter 1x
- AI.9850-3** C-mount photo adapter 0.5x

Achios-X Inverso, AI.4058 and AI.4158 models

- AI.9810-4** C-mount photo Adapter 1x
- AI.9870-4** C-mount photo Adapter 0.7x
- AI.9850-4** C-mount photo Adapter 0.5x

bScope materials BS.40XX models

- BS.9810** C-mount with 1x magnification for 1 inch sensor cameras
- BS.9850** C-mount with 0.5x magnification for 1/2 inch sensor cameras
- BS.9865** C-mount with 0.65x magnification for 2/3 inch sensor cameras

Delphi-X Inverso

- DI.9840** C-mount with high resolution 0.40x objective for 1/3 inch C-mount camera

- DI.9850** C-mount with high resolution 0.50x objective for 1/2 inch C-mount camera

- DI.9810** C-mount with 1x magnification for C-mount camera

Delphi-X Observer

- DX.9835** C-mount with high resolution relay 0.35x objective for 1/3 inch C-mount camera

- DX.9850** C-mount with high resolution relay 0.50x objective for 1/2 inch C-mount camera

- DX.9863** C-mount with high resolution relay 0.63x objective for 2/3 inch C-mount camera

- DX.9810** C-mount with 1 magnification for C-mount camera

Oxion Inverso

- OX.9810** C-mount adapter with 1x magnification for 1" cameras

- OX.9833** C-mount adapter with 0.33x objective for Oxion microscopes and 1/3" cameras

- OX.9850** C-mount adapter with 0.5x objective for Oxion and Oxion Inverso microscopes and 1/2" cameras

NexiusZoom

- NZ.9850** C-mount adapter with 0.5x objective for NexiusZoom microscopes and 1/2" cameras

StereoBlue

- SB.9850** C-mount adapter with 0.5x objective for StereoBlue microscopes and 1/2" cameras

accessories

for microscopy



accessories



product information

- ILLUMINATION SOLUTIONS • 362
- DISSECTION INSTRUMENTS & KITS • 370
- MICROSCOPE PREPARED SLIDES • 374
- MICROSCOPE SLIDES PROFESSIONAL • 386
- DISPOSABLES • 392
- STAINS • 393

LE.1975

FEATURED



LE.1975

Discover the LE.1975, a polarizing LED ringlight
page 366

illumination solutions

For stereo microscopes choosing the right illumination is essential to obtain a perfect image with maximum resolution. LED light sources have a much longer life span, less energy consumption and less heating than halogen light sources

The major advantage of LED illumination is the constant light spectrum at all light intensity levels. These light sources are suitable for all kinds of applications in industry, life sciences and materials sciences

illumination solutions



education



university



life science



industry

ACCESSOIRES
FOR MICROSCOPY

9

ILLUMINATION SOLUTIONS

The right light source solution can enhance and reveal the details you want to examine



Illumination solutions

MULTIFUNCTIONAL 150 W HALOGEN OR 30 W POWER-LED • COLD LIGHT SOURCE



A powerful multifunctional 150 W halogen (LE.5211) and 30 W PowerLED cold light source is ideal for the advanced requirements of numerous applications in life and materials science. The intensity is adjustable and has a built-in forced air cooling. The LE.5211 and LE.5211-LED light sources require a light fiber conductor such as the single LE.5213 or the dual LE.5214 light fiber conductors. The LE.5213 and LE.5214 light conductors can be equipped with a lens holder (LE.5222) and a focusing lens (LE.5224)

● LE.5211-LED / LE.5211 + LE.5214 + 2x LE.5222 + 2x LE.5224

Power	150 W halogen	30 W PowerLED (equivalent to 120 W halogen)
Luminous flux	21,000 lux max ¹⁾	30,000 lux max.*
Color temperature	3,000 K	6,500 K
Operating voltage	230 V ac / 15 V dc (50/60 Hz)	230 V ac / 12 V dc (50/60 Hz)
Dimensions	(h) 150 x (w) 150 x (d) 230 mm	150 (h) x 150 (w) x 230 mm (d)
Weight	3,9 kg	2.8 kg
Model	LE.5211	LE.5211-LED

* with LE.5214 dual arm light conductor

MULTIFUNCTIONAL 100 W HALOGEN • COLD LIGHT SOURCE

This popular multifunctional cold light source contains a 100 W halogen light source. The intensity is adjustable and it has a built-in forced air cooling. The LE.5210 light source requires a light fiber conductor such as the single LE.5213 or the dual LE.5214 light fiber conductors. The LE.5213 and LE.5214 light conductors can be equipped with a lens holder (LE.5222) and a focusing lens (LE.5224). Ideal for all kinds of applications in life and materials sciences, various industrial applications and for stereo microscopy



Power	100 W halogen
Luminous flux	20,000 lux max.*
Color temperature	3,000 K
Operating voltage	110 and 230 V ac / 12 V dc (50/60 Hz)
Dimensions	115 (h) x 320 (w) x 215 mm (d)
Weight	3.8 kg
Model	LE.5210

* with LE.5214 dual arm light conductor

COMPACT SINGLE 20 W LIGHT SOURCE

Compact cold light source with single 40 cm, 6 mm diameter fiber light conductor. Equipped with a 20 W halogen lamp. Light intensity is factory preset and can not be adjusted



Power	20 W halogen
Color temperature	3,000 K
Operating voltage	110 V ac and 230 V ac versions (50/60 Hz)
Dimensions	80 (h) x 110 (w) x 165 mm (d)
Weight	2.0 kg
Model	LE.5209

ECONOMICAL AND COMPACT DUAL 3 W LED • LIGHT SOURCE

Economical dual LED intensity adjustable light source with two 44 cm flexible gooseneck arms, each mounted with a 3 W LED. Ideal for applications in life and materials sciences, various industrial applications and for stereo microscopy

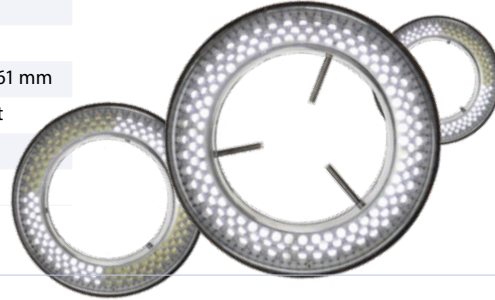


Power	2x 3 W LED = 2x 28 W halogen equivalent
Luminous flux	25,000 lux
Color temperature	6,500 K
Operating voltage	100-240 V ac / 5 V dc (50/60 Hz)
Dimensions	70 (h) x 106 (w) x 140 mm (d)
Weight	1.5 kg
Model	LE.5207

144 LEDS RINGLIGHT SOURCE • LE.1973

Ring illumination	144 LEDs with adjustable intensity and 4 segment illumination
Color temperature	6,500 K
Illuminance	23,000 lux at 100 mm distance
working distance:	from 55 to 200 mm
Mounting	for stereo head with diameter from 25 to 61 mm
Power supply	100-240 V ac / 12 V dc (50/60 Hz) / 4.5 Watt
External diameter	100 mm
Model	LE.1973

LED ringlight source with high illuminance and segment illumination for all kinds of demanding applications



COMPACT 72 LEDS • LE.1974

Compact 20,000 lux LED ringlight source



Ring illumination	72 LEDs with adjustable intensity and 4 segment illumination
Color temperature	6,500 K
Illuminance	21,000 lux at 100 mm distance
working distance:	from 50 to 180 mm
Mounting	for stereo head with diameter from 25 to 61 mm
Power supply	100-240 V ac / 12 V dc (50/60 Hz) / 4 Watt
External diameter	100 mm
Model	LE.1974

LED RINGLIGHT • LE.1979

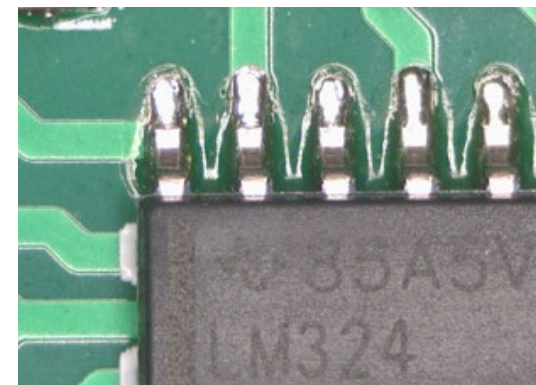
Ring illumination	144 LEDs with adjustable intensity and diffuser
Color temperature	6,500 K
Illuminance	21,000 lux at 100 mm distance
working distance:	50 to 180 mm
Mounting	for stereo head with diameter from 45 to 77 mm
Power supply	290-240 V ac / 12 V dc (50/60 Hz)
External diameter	120 mm
Model	LE.1979



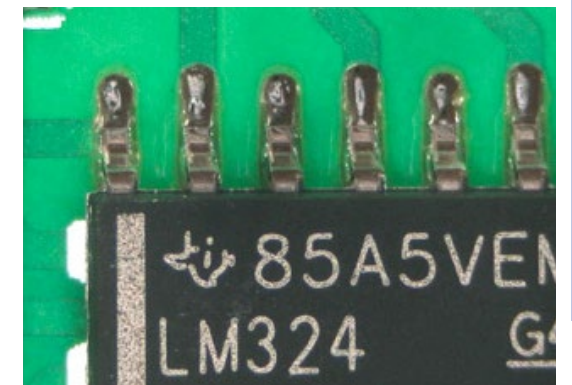
POLARIZING LED RINGLIGHT • LE.1975

LED ringlight with white or polarized light for all kinds of demanding applications

Ring illumination	16 high power LEDs with adjustable intensity
Color temperature	6,500-7,500 K
Illuminance	≥ 44000 lux at 100 mm distance
working distance:	from 40 to 120 mm
Mounting	for stereo head with diameter from 25 to 61 mm
Power supply	100-240 V ac / 12 V DC
External diameter	90 mm
Model	LE.1975



● without polarization



● with polarization

ILLUMINATION STATION LE.5212

Light source station with multiple power supply connections for two self-sustaining gooseneck-type guides, one ringlight and one transmitted stage illumination. For stand-alone usage or mounted on stereo microscope pillar stands with diameters up to 44 mm or with 35- and 25-mm pole mounting adapter rings

Each self-sustaining gooseneck-type LED guide is equipped with a 3-lens focusing head and has a length of 56 cm
 White 6,500 K LED ringlight generating with 60 LEDs up to 24,000 Lux. Mounting diameters from 21 to 61 mm
 Transmitted light stage illumination with a 6,500 K white LED generating up to 8,000 Lux with 42 LEDs.
 Stage diameter 94.5 and 15 mm thick

MODELS	3 W gooseneck guide LED	4 W white LED ringlight	2 W white LED transmitted light stage
LE.5212	White LED, 6,500 K	•	•
LE.5212-365	365 nm, monochrome	•	•
LE.5212-395	395 nm, monochrome	•	•
LE.5212-420	420 nm, monochrome	•	•



ACCESSORIES AND SPARE PARTS

for LE.5210, LE.5211 and LE.5211-LED cold light sources

FIBER LIGHT CONDUCTORS

- LE.5213** Single arm fiber light conductor, gooseneck self-sustaining, 50 cm long, 4 mm diameter
- LE.5214** Dual arm fiber light conductor, gooseneck self-sustaining, 50 cm long, 4 mm diameter
- LE.5216** Single arm flexible fiber light conductor, 100 cm long, 4 mm diameter

- LE.5222** Focusing head for focusing lens LE.5224 or filters LE.5229 and LE.5231 (for fiber light conductors)
- LE.5224** Focusing lens. Requires LE.5222 or LE.5228 for mounting on LE.5213 and LE.5214
- LE.5228** Focusing head with iris diaphragm (for fiber light conductors)
- LE.5231** Conversion KB12/80B filter

HALOGEN BULBS AND FUSES

- SL.5219** Halogen 100 W 12 V bulb with reflector (50 hrs nominal), MR16 fits LE.5210
- SL.5230** Halogen 100 W 12 V 'Long Life' bulb (1,000 hrs nominal), MR16 fits LE.5210
- SL.5235** Halogen 150 W 15 V bulb (50 hrs nominal), MR16 fits LE.5211
- SL.5240** Halogen 150 W 15 V 'Long Life' bulb (500 hrs nominal), MR16 fits LE.5211

- LE.5263** Interchangeable self-sustaining gooseneck-type guide with a 420 nm high-power Violet-LED for NZ.9018, LE.5207 or LE.5212, 1 pc (D)
 - LE.5264** Polarization filter, screw on type for Interchangeable self-sustaining gooseneck-type guides for NZ.9018, LE.5207 or LE.5212, 1 pc
- WD = working distance

FOR LE.5212

- LE.5260** Interchangeable self-sustaining gooseneck-type guide with a white 6,500 K high-power LED for NZ.9018, LE.5207 or LE.5212, 1 pc (A)
- LE.5261** Interchangeable self-sustaining gooseneck-type guide with a 365 nm high-power UV-LED for NZ.9018, LE.5207 or LE.5212, 1 pc (B)
- LE.5262** Interchangeable self-sustaining gooseneck-type guide with a 395 nm high-power Violet-LED for NZ.9018, LE.5207 or LE.5212, 1 pc (C)



● Dual arm fiber light conductor



● LE.5212 on a NexusZoom stand (NZ.9000) with NexusZoom binocular head (NZ.5302)

PREPARATION ACCESSORIES

Euromex offers the right tools for sample preparing. Before using a microscope good samples are essential to get the most accurate results



product information

dissection instruments

- PB.5050** Dissecting needle, straight tip with plastic handle
- PB.5054** Dissecting needle, lancet-shaped with plastic handle
- PB.5056** Blunt-pointed probe, Ø 2 mm, length 140 mm
- PB.5058** Section lifter with wooden handle
- PB.5060** Serrated thumb dressing forceps, length 13 mm
- PB.5062** Dressing forceps with blunt tips, length 13 cm
- PB.5064** Dressing forceps with blunt tips, length 20 cm
- PB.5067** Dissecting forceps with sharp tips, length 13 cm
- PB.5069** Dissecting forceps with finely curved sharp tips, length 13 cm
- PB.5077** Cover glass forceps, length 11 cm



SCISSORS AND BLADES

- PB.5080** Dressing scissors with blunt/sharp tip, length 14 cm
- PB.5084** Dissecting scissors, sharp tips, length 11 cm
- PB.5092** Scalpel with blunt tip, length 15 cm
- PB.5094** Scalpel handle no. 4 (for blades PB.5095 and PB.5096)
- PB.5095** Scalpel blades with sharp tip, 5 pieces per set
- PB.5096** Scalpel blades with blunt tip, 5 pieces per set
- PB.5103** Strop, double sided for stropping of scalpels, microtome knives. Includes stropping paste
- PB.5105** Razor plano/concave, for sectioning. With plastic handle
- PB.5106** Microtome knife plano/concave. With fixed handle, length 17 cm



HANDHELD MICROTOMES

- MT.5500** Cylinder microtome. Circular stage Ø 70 mm with flat black glass top. Height adjustable with micrometer division 0.01 mm. Complete with plano-concave knife PB.5106 and wooden cabinet
- MT.5501** Cylinder microtome. Identical to MT.5500 but without knife and wooden cabinet
- MT.5503** Handheld microtome. Box type with table clamp and razor blade holder. Thickness adjustment by 0.025 mm intervals. Complete with wooden cabinet



ACCESSORIES FOR MICROSCOPY

9

PREPARATION ACCESSORIES



product information



dissection kits

4-PC DISSECTION KIT

PB.5110 IN IMITATION LEATHER CASE

Kit with straight dissecting needle (PB.5050), dissecting forceps (PB.5067), dissecting scissors (PB.5084) and scalpel (PB.5092). Supplied with imitation leather case

6-PC DISSECTION KIT

PB.5111 IN PLASTIC CASE

Kit with straight dissecting needle (PB.5050), lancet-shaped dissecting needle (PB.5054), dissecting forceps (PB.5067), dissecting scissors (PB.5084), scalpel handle no. 4 (PB.5094) and blades (PB.5096). Supplied with plastic case

10-PC DISSECTION KIT

PB.5112 IN IMITATION LEATHER CASE

Kit with two straight dissecting needles (PB.5050), lancet-shaped dissecting needle (PB.5054), dressing forceps (PB.5062), dissecting forceps (PB.5067), scissors (PB.5080), dissecting scissors (PB.5084), two scalpels (PB.5094), five scalpel blades with straight tip and five blades with blunt tip (PB.5095/PB.5096). Supplied with imitation leather case



● PB.5112

9-PC DISSECTION KIT

PB.5114 IN WOODEN CASE

Kit with two straight dissecting needles (PB.5050), lancet-shaped dissecting needle (PB.5054), dressing forceps (PB.5062), dissecting forceps (PB.5067), scissors (PB.5080), dissecting scissors (PB.5084), two scalpels (PB.5094), five scalpel blades with straight tip and five blades with blunt tip (PB.5095/PB.5096). Supplied with wooden cabinet



● PB.5114

6-PC DISSECTION KIT FOR KOI FISH

PB.5115 IN PLASTIC CASE

Dissecting set for Koi fish. Consisting of plastic box with forceps with 1 x 2 points (PB.5060), forceps blunt points, 13 cm (PB.5062), scissors, blunt/ sharp points, 14 cm (PB.5080), microscope scissors, sharp points, 11 cm (PB.5084), blunt-pointed probe (PB.5056), scalpel handle no. 4 (PB.5094), five scalpel blades with straight tip and five blades with blunt tip (PB.5095/PB.5096)



● PB.5115

PROFESSIONAL SLIDE PREPARATION KIT

PB.5125 IN PLASTIC DELUXE CASE

Kit with three prepared slides, 50 microscope slides (PB.5150) and 100 cover glasses (PB.5165). Two microscope slides with cavity. Canada balsam, dissecting needle (PB.5050 and PB.5054). Dissecting forceps (PB.5067), dissecting scissors (PB.5084) and scalpel (PB.5092). Supplied with plastic deluxe case



● PB.5125



● PB.5110



● PB.5111

MICROSCOPE PREPARED SLIDES



product information

Euromex offers teachers, students and microscopy amateurs a wide range of quality micro-slides, which can be used immediately in biology classes as introduction to histology, zoology and botany

sets with 25 slides for education

histology, zoology and botany set

PB.5211 FOR EDUCATION

Set with 25 microscopy slides for education: histological samples of mammals, zoology and botany. All microscope slides are supplied in a plastic box for 25 slides. The set contains:

HISTOLOGY

- SH.1011** Hard bone grinding, human, section
- SH.1045** Skeletal muscle, dog, l.s and c.s
- SH.1072** Skin section through hair follicle, human
- SH.1078** Stratified flat epithelium, dog, section
- SH.1150** Blood smear, human, Giemsa stained

ZOOLOGY

- SZ.1510** Amoeba proteus, w.m
- SZ.1580** Hydra with bud, w.m
- SZ.1640** Lumbricus - earthworm, c.s
- SZ.1655** Daphnia sp., water flea, w.m
- SZ.1715** Musca domestica, house fly, mouth parts
- SZ.1717** Musca domestica, house fly, leg with clinging pads
- SZ.1719** Musca domestica, house fly, wing w.m

BOTANY

- SB.2006** Allium cepa, onion, scale epidermis, w.m
- SB.2009** Allium cepa, onion, mitosis root tip, l.s
- SB.2055** Zea mays, corn, stem, cs
- SB.2060** Triticum aestivum, wheat, stem, c.s
- SB.2070** Helianthus, sunflower, young stem, c.s
- SB.2130** Helianthus, sunflower, leaf, c.s
- SB.2205** Monocot/dicot flower, zea mays/ranunculus, c.s
- SB.2212** Lilium, lily, ovary, c.s
- SB.2335** Mnium, w.m
- SB.2355** Rhizopus nigricans, bread mold, developed sporangia
- SB.2377** Diatoms, w.m
- SB.2381** Spirogyra sp., vegetative mass, w.m
- SB.2405** Dental plaque, smear

histology, zoology and botany set

PB. 5212 FOR EDUCATION

Set with 25 microscopy slides for education: histological samples of mammals, zoology and botany. All microscope slides are supplied in a plastic box for 25 slides. The set contains:

HISTOLOGY

- SH.1001** Loose connective tissue, rabbit
- SH.1005** Hyaline cartilage rabbit, section
- SH.1160** Lymph node, rabbit, section
- SH.1230** Small intestine, dog, c.s
- SH.1250** Liver, pig, section
- SH.1430** Cerebrum section, dog

ZOOLOGY

- SZ.1520** Paramecium, w.m
- SZ.1625** Schistosoma Japonicum, fluke eggs, bilharziöse
- SZ.1630** Taenia, tapeworm cattle, mature proglottid, w.m
- SZ.1635** Ascaris megaloccephala, horse roundworm, female + male, c.s
- SZ.1708** Apis mellifica, honey bee, mouth parts
- SZ.1725** Periplaneta, cockroach, mouth parts of chewing type
- SZ.1730** Pieris brassicae, cabbage-white butterfly, mouth, w.m
- SZ.1750** Periplaneta, cockroach, spiracle of insect, w.m

BOTANY

- SB.2095** Monocot/dicot stem, zea mays/pumpkin, c.s
- SB.2105** Hibiscus, young stem, c.s
- SB.2110** Cucurbita, pumpkin, stem, l.s
- SB.2115** Sambucus, elderberry or Morus Alba, mulberry, stem with cork cambium + lenticels, c.s
- SB.2160** Lilium, lily leaf, c.s
- SB.2225** Zea mays, corn, corn seed with embryo, l.s
- SB.2235** Pirus, pear, stone cells, section
- SB.2240** Triticum aestivum, wheat, kernel, l.s
- SB.2305** Cyrtomium, holly fern, c.s of rhizom
- SB.2310** Cyrtomium, holly fern, section
- SB.2386** Oscillatoria, blue-green algae

USED ABBREVIATIONS

USED ABBREVIATIONS	
c.s	cross section
l.s	longitudinal section
w.m	whole mount

histology, zoology and botany set

PB. 5213 FOR EDUCATION

Set with 25 microscopy slides for education: histological samples of mammals, zoology and botany. All microscope slides are supplied in a plastic box for 25 slides. The set contains:

HISTOLOGY

- SH.1006** Elastic cartilage, rabbit
- SH.1040** Smooth muscle, teased preparation, rabbit, l.s+c.s
- SH.1110** Lung with injected blood vessels, rabbit, c.s

- SH.1130** Artery and vein, rabbit, c.s
- SH.1410** Nerve, rabbit, c.s and l.s

ACCESSOIRES FOR MICROSCOPY

9

ACCESSOIRES FOR MICROSCOPY

9

ZOOLOGY

- SZ.1535** Euglena virides, a flagellate with eyespot
SZ.1586 Hydra, w.m of tentacles
SZ.1620 Schistosoma Japonicum, female, w.m
SZ.1705 Apis mellifica, honey bee, posterior leg, w.m
SZ.1733 Pieres brassicae, cabbage-white butterfly, part of wing
SZ.1738 Locusta, grasshopper, mouth parts, w.m
SZ.1780 Insects - four types of legs, honey bee, house fly, house mosquito, spider
SZ.1877 Rana sp, frog, blood smear

BOTANY

- SB.2011** Zea mays, corn root tip with hairs, l.s
SB.2020 Helianthus, sunflower, old root, c.s
SB.2025 Monocot/dicot plant roots, zea mays/helantius, c.s
SB.2040 Solanum tuberosum, potato, starch grains
SB.2075 Tilia, lime tree, one year stem, c.s
SB.2091 Hydrilla stem, c.s
SB.2100 Pelargonium hortorum, geranium, stem c.s
SB.2337 Mniium, antheridial branch, l.s
SB.2339 Mniium, archegonial branch, l.s
SB.2373 Coprinus, ink caps mushroom, section of pleus
SB.2380 Spirogyra sp. in conjugation
SB.2420 3 types of bacteria, cocci, bacilli, spirelli

histology, zoology and botany set

PB. 5214 FOR EDUCATION

Set with 25 microscopy slides for education: histological samples of mammals, zoology and botany.

All microscope slides are supplied in a plastic box for 25 slides. The set contains:

HISTOLOGY OF MAMMALS

- SH.1060** Tendon l.s (Dense connective tissue), dog
SH.1075 Skin section with sweat gland, human
SH.1330 Testis rabbit, c.s
SH.1340 Ovary rabbit with developed eggs
SH.1360 Sperm, human, smear
SH.1490 Retina, rabbit, sec

ZOOLOGY

- SZ.1522** Paramecium conjugation w.m
SZ.1524 Paramecium in fission, w.m
SZ.1540 Trachelomonas, a free swimming type euglena
SZ.1585 Hydra with endoderm + ectoderm, c.s
SZ.1710 Apis mellifica - honey bee compound eye, w.m
SZ.1720 Culex pipiens - house mosquito, larva w.m
SZ.1724 Giant chromosomes of salivary gland, w.m
SZ.1810 Mya arenaria, clam gill, c.s
SZ.1860 Lancelet, Section through gonads and gills, c.s

BOTANY

- SB.2015** Ranunculus, buttercup, root c.s
SB.2076 Tilia, lime tree, 1, 2 & 3 year stem, c.s on one slide
SB.2080 Pinus - pine tree, stem l.s
SB.2140 Triticum, wheat, leaf, c.s
SB.2150 Monocot/dicot leaves, zea mays/ligustrum lucidum, c.s
SB.2230 Pinus, pine tree, male (cone) globose fruit l.s
SB.2232 Pinus, pine tree, female (cone) globose fruit l.s
SB.2315 Fern, prothallium w. young sporophyte w.m
SB.2320 Cyrtomium, fern, leaf with sporangia
SB.2384 Volvox sp. w.m

histology, zoology and botany set

PB. 5215 FOR EDUCATION

Set with 25 microscopy slides for education: histological samples of mammals, zoology and botany.

All microscope slides are supplied in a plastic box for 25 slides. The set contains:

HISTOLOGY

- SH.1043** Cardiac muscle, dog, l.s
SH.1070 Squamous epithelium, human, isolated cells from mouth, smear
SH.1315 Kidney rat, sec. cortex & medulla
SH.1420 Cerebellum section, dog
SH.1450 Spinal cord, rabbit, c.s
SH.1470 Taste buds, rabbit, l.s

ZOOLOGY

- SZ.1610** Planaria, flat worm, injected intestinal tube, w.m
SZ.1636 Ascaris megalcephala, horse roundworm, mitosis eggs
SZ.1760 Ctenocephalus canis, dog flea, w.m
SZ.1770 Tetranychus, red spider mite, w.m
SZ.1930 Bird, wing and down feather, section
SZ.1940 Chicken, embryo 48 hours, sagittal section

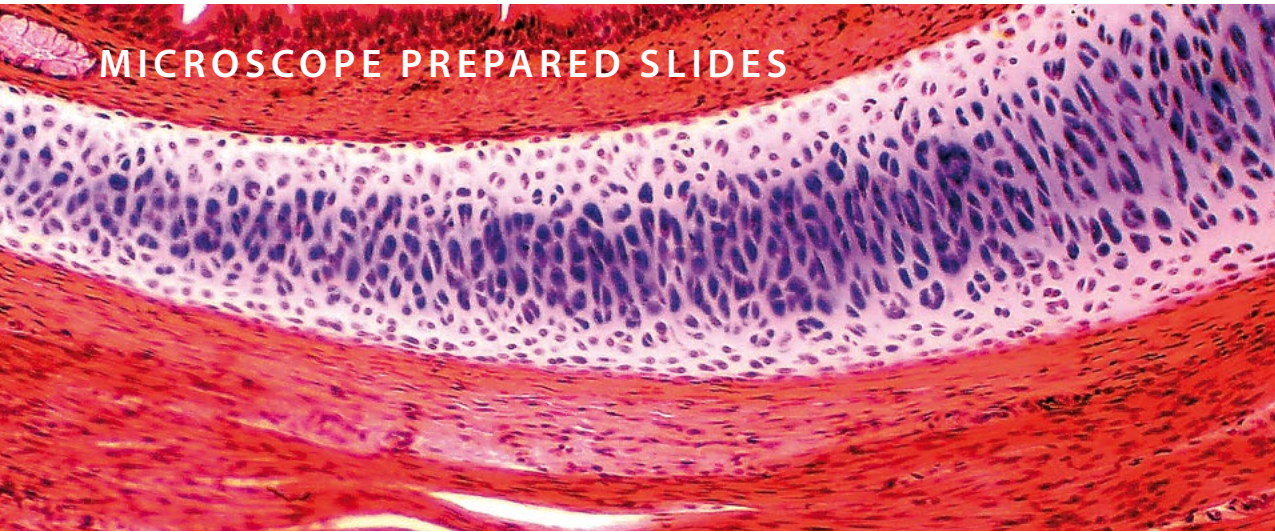
BOTANY

- SB.2090** Hydrilla verticillata, hydrilla stem tip, l.s
SB.2112 Cucurbita, pumpkin, stem, c.s
SB.2135 Nerium oleander, leaf with sunken stomata, c.s
SB.2210 Lilium, lily, anther with mature pollen, c.s
SB.2214 Lilium, lily, pollen, different stages of meiosis
SB.2220 Capsella, shepherds' purse, ovary w. embryo in pre-cotyledon stadium, l.s
SB.2222 Capsella, shepherds' purse, ovary w. embryo in cotyledon stadium, l.s
SB.2234 Pinus, pine tree, pollen, w.m
SB.2330 Marchantia, liverworts, thallus with gemma cup, c.s
SB.2360 Saccaromyces sp., yeast, budding, w.m
SB.2365 Penicillium sp., w.m
SB.2410 Streptococcus lactis, milk bacteria, smear
SB.2415 Bacillus subtilis, hay bacteria, smear

USED ABBREVIATIONS

c.s	cross section
l.s	longitudinal section
w.m	whole mount

MICROSCOPE PREPARED SLIDES



sets with 23 slides for education

mammal histology set

PB.5221 SET FOR EDUCATION

Set with 23 microscopy slides for education: histological samples of mammals.
All microscope slides are supplied in a plastic box for 25 slides. The set contains:

EPITHELIUM AND CONNECTIVE TISSUES

- SH.1001** Loose connective tissue, rabbit
- SH.1005** Hyaline cartilage, rabbit, section
- SH.1011** Hard bone grinding, human, section
- SH.1049** Muscle types, striated, smooth, heart muscle, dog, l.s
- SH.1060** Tendon, dog, l.s
- SH.1070** Squamous epithelium, human, isolated cells from mouth, smear
- SH.1072** Skin section through hair follicle, human
- SH.1078** Stratified flat epithelium, dog, section

RESPIRATORY, BLOOD CIRCULATION AND ENDOCRINE SYSTEM

- SH.1120** Trachea rabbit, c.s
- SH.1130** Artery and vein, rabbit, c.s
- SH.1150** Blood smear, human, Giemsa stained

DIGESTIVE SYSTEM

- SH.1210** Stomach wall, dog, section
- SH.1230** Small intestine, dog, c.s
- SH.1250** Liver, pig, section

URINARY AND GENITAL SYSTEM

- SH.1310** Injected kidney, rabbit, sec
- SH.1330** Testis, rabbit, c.s
- SH.1340** Ovary with developed eggs, rabbit
- SH.1376** Human chromosomes in blood, female

NERVOUS SYSTEM AND SENSORY ORGANS

- SH.1410** Nerve, rabbit, c.s and l.s
- SH.1430** Cerebrum section, dog
- SH.1450** Spinal cord, rabbit, c.s
- SH.1470** Taste buds, rabbit, l.s
- SH.1490** Retina, rabbit, sec

mammal histology set

PB.5222 SET FOR EDUCATION

Set with 23 microscopy slides for education: histological samples of mammals.
All microscope slides are supplied in a plastic box for 25 slides. The set contains:

EPITHELIUM AND CONNECTIVE TISSUES

- SH.1006** Elastic cartilage, rabbit
- SH.1012** Hard bone grinding of rabbit, tooth, de-calcium
- SH.1040** Smooth muscle, teased preparation, rabbit, l.s+c.s
- SH.1043** Cardiac muscle, dog, l.s
- SH.1045** Skeletal muscle, dog, l.s and c.s
- SH.1075** Skin section with sweat gland, human
- SH.1080** Ciliated epithelium, trachea, rabbit

RESPIRATORY, BLOOD CIRCULATION AND ENDOCRINE SYSTEM

- SH.1110** Lung with injected blood vessels, rabbit, c.s
- SH.1140** Pancreas, rabbit, section
- SH.1160** Lymph node, rabbit, section
- SH.1170** Thyroid gland, rabbit, section
- SH.1180** Adrenal gland, rabbit, section

DIGESTIVE SYSTEM

- SH.1220** Oesophagus dog, c.s
- SH.1235** Large intestine, dog, c.s
- SH.1260** Gall bladder, dog, section
- SH.1280** Golgi apparatus in Basal spinal ganglion, dog

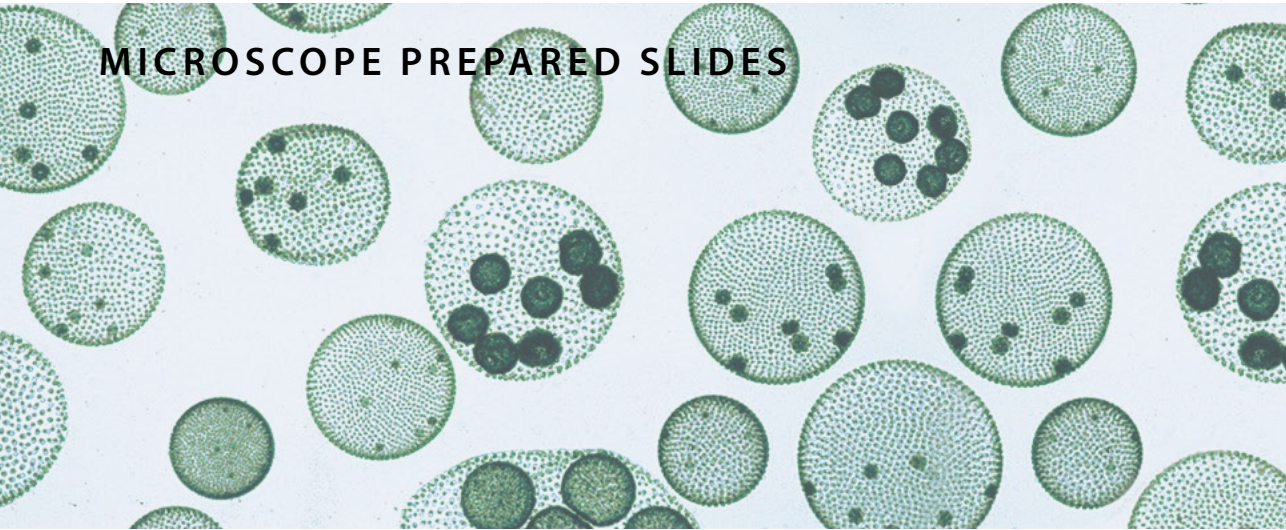
URINARY AND GENITAL SYSTEM

- SH.1315** Kidney, rat, sec. cortex & medulla
- SH.1360** Sperm, human, smear
- SH.1375** Human chromosomes in blood, male
- SZ.1724** Fruit fly, drosophila, giant chromosomes of salivary gland, w.m

NERVOUS SYSTEM AND SENSORY ORGANS

- SH.1415** Motor nerve cells with end plates, rabbit, w.m
- SH.1420** Cerebellum section, dog
- SH.1480** Eyeball section, rabbit, sagittal section

MICROSCOPE PREPARED SLIDES



set for hobby 10 slides

zoology and botany set

PB.5204 SET FOR HOBBY

Set with 10 prepared microscopy slides for hobby: zoology and botany.

All microscope slides are supplied in a plastic box with transparent cover for 25 slides. The set contains:

ZOOLOGY

- SH.1040** Smooth muscle, teased preparation, rabbit, l.s and c.s
- SH.1110** Lung with injected blood vessels, rabbit, c.s
- SZ.1708** Apis mellifica, honey bee, mouth parts
- SZ.1733** Pieris brassicae, cabbage white butterfly, part of wing
- SZ.1877** Rana sp, frog, blood smear
- SB.2015** Ranunculus, buttercup, root, c.s

BOTANY

- SB.2160** Liliium, lily leaf, c.s
- SB.2222** Capsella, shepherds' purse, ovary w. embryo in cotyledon stadium, l.s
- SB.2374** Aspergillus, brown mold, w.m
- SB.2384** Volvox sp., w.m

USED ABBREVIATIONS

c.s	cross section
l.s	longitudinal section
w.m	whole mount

set for hobby 25 slides

slides of histology, zoology and botany

PB.5218 SET FOR HOBBY

Set with 25 prepared microscopy slides for hobby: zoology and botany.

All microscope slides are supplied in a plastic box with transparent cover for 25 slides. The set contains:

HISTOLOGY OF HUMAN AND MAMMALS

- SH.1072** Skin section through hair follicle, human
- SH.1150** Blood smear human, Giemsa stained
- SH.1415** Motor nerve cells with end plates, rabbit w.m
- SH.1470** Taste buds, rabbit, l.s

BOTANY

- SB.2009** Allium cepa, onion, mitosis root tip, l.s
- SB.2055** Zea mays, corn, stem, cs
- SB.2075** Tilia, lime tree, one year stem, c.s
- SB.2100** Pelargonium hortorum, geranium, stem c.s
- SB.2112** Cucurbita, pumpkin, stem, c.s
- SB.2130** Helianthus, sunflower, leaf, c.s
- SB.2135** Nerium oleander, leaf with sunken stomata, c.s
- SB.2210** Liliium, lily, anther with mature pollen, c.s
- SB.2225** Zea mays, corn, corn seed with embryo, l.s

ZOOLOGY

- SZ.1520** Paramecium, w.m
- SZ.1535** Euglena virides, a flagellate with eyespot
- SZ.1580** Hydra with bud, w.m
- SZ.1630** Taenia, tapeworm cattle, mature proglottid, w.m
- SZ.1635** Ascaris megalocephala, horse roundworm, female and male, c.s
- SZ.1640** Lumbricus, earthworm, c.s
- SZ.1655** Daphnia sp., water flea, w.m
- SZ.1705** Apis mellifica, honey bee, posterior leg, w.m
- SZ.1710** Apis mellifica, honey bee compound eye, c.s
- SZ.1719** Musca domestica, house fly, wing w.m
- SZ.1722** Culex pipiens, house mosquito, female, mouth parts
- SZ.1724** Fruit fly, drosophila, giant chromosomes of salivary gland, w.m

MICROSCOPE PREPARED SLIDES

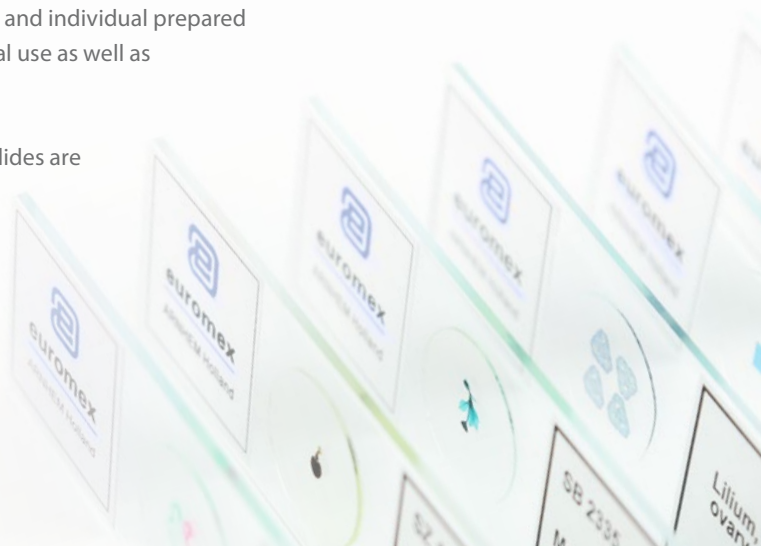


individual euoslides prepared slides

Euromex supplies complete sets and individual prepared microscope slides for educational use as well as for the hobby market

These high quality microscope slides are usually supplied directly from stock, at the very best prices.

The slides on the next page are separately available



HOW TO ORDER INDIVIDUAL EUOSLIDES

Minimum purchase quantity is 10 pieces of the same slide

The individual slides always have to be ordered together with a storage box (e.g. PB.5181 for 25 slides)

individual euoslides for histology

These histological microscope slides consist of sample of epithelium and connective tissues, the respiratory system, blood circulation, endocrine system, digestive system, urinary and genital systems, nervous system and sensory organs

EPITHELIUM AND CONNECTIVE TISSUES

- SH.1001** Loose connective tissue, rabbit
- SH.1005** Hyaline cartilage rabbit, section
- SH.1006** Elastic cartilage, rabbit
- SH.1011** Hard bone grinding, human, section
- SH.1012** Hard bone grinding of rabbit, tooth, decalcium
- SH.1040** Smooth muscle, teased preparation, rabbit, l.s and c.s
- SH.1045** Skeletal muscle, dog, l.s and c.s
- SH.1049** Muscle types, striated, smooth, heart muscle, dog, l.s
- SH.1060** Tendon, dog, l.s
- SH.1072** Skin section through hair follicle, human
- SH.1078** Stratified flat epithelium, dog, section
- SH.1080** Ciliated epithelium, trachea, rabbit

RESPIRATORY, BLOOD CIRCULATION AND ENDOCRINE SYSTEM

- SH.1110** Lung with injected blood vessels, rabbit, c.s
- SH.1120** Trachea, rabbit, c.s
- SH.1130** Artery and vein, rabbit, c.s
- SH.1140** Pancreas, rabbit, section
- SH.1150** Blood smear, human, Giemsa stained
- SH.1160** Lymph node, rabbit, section

DIGESTIVE SYSTEM

- SH.1220** Oesophagus, dog, c.s
- SH.1230** Small intestine, dog, c.s
- SH.1250** Liver, pig, section

URINARY AND GENITAL SYSTEM

- SH.1310** Injected kidney, rabbit, section
- SH.1330** Testis, rabbit, c.s
- SH.1340** Ovary with developed eggs, rabbit
- SH.1360** Sperm, human, smear

NERVOUS SYSTEM AND SENSORY ORGANS

- SH.1410** Nerve, rabbit, c.s and l.s
- SH.1415** Motor nerve cells with end plates, rabbit, w.m
- SH.1420** Cerebellum section, dog
- SH.1450** Spinal cord, rabbit, c.s
- SH.1470** Taste buds, rabbit, l.s
- SH.1490** Retina, rabbit, section

USED ABBREVIATIONS

c.s	cross section
l.s	longitudinal section
w.m	whole mount

individual euroslides for zoology

This series of zoology microscopy slides consists of samples with single-cell organisms (protozoa), coelenterate, worms (helminthes), Crustaceans (crustaceae), insects and amphibians

PROTOZOA

- SZ.1510** Amoeba proteus, w.m
- SZ.1520** Paramecium, w.m
- SZ.1522** Paramecium in conjugation w.m

- SZ.1535** Euglena virides, a flagellate with eyespot
- SZ.1540** Trachelomonas, a free swimming type euglena

COELENTERATA

- SZ.1580** Hydra with bud, w.m

HELMINTHES

- SZ.1630** Taenia, tapeworm pig, mature proglottid, w.m
- SZ.1635** Ascaris megalcephala, horse roundworm, female + male c.s
- SZ.1636** Ascaris megalcephala, horse roundworm, mitosis eggs
- SZ.1640** Lumbricus, earthworm, c.s

CRUSTACEANS

- SZ.1655** Daphnia sp., water flea, w.m

INSECTS

- SZ.1705** Apis mellifica, honey bee, posterior leg, w.m
- SZ.1708** Apis mellifica, honey bee, mouth parts
- SZ.1710** Apis mellifica, honey bee compound eye, c.s
- SZ.1719** Musca domestica, house fly, wing, w.m
- SZ.1720** Culex pipiens, house mosquito, larva, w.m
- SZ.1722** Culex pipiens, house modquito, female, mouth parts
- SZ.1724** Drosophila, fruit fly, giant chromosomes of salivary gland, w.m
- SZ.1730** Pieres brassicae, cabbage-white butterfly, mouth, w.m
- SZ.1733** Pieres brassicae, cabbage-white butterfly, part of wing
- SZ.1738** Locusta, grasshopper, mouth parts, w.m
- SZ.1760** Ctenocephalus canis, dog flea, w.m
- SZ.1780** Insects- four types of legs, honey bee, house fly, house modquito, spider

AMPHIBIANS

- SZ.1877** Rana sp, frog, blood smear
- SZ.1880** Frog uncleaved egg, c.s
- SZ.1881** Frog egg, two cells stadium, c.s
- SZ.1883** Frog egg, advanced cleavage c.s
- SZ.1885** Frog egg, blastula phase, c.s
- SZ.1887** Frog egg, early gastrula phase, c.s
- SZ.1889** Frog egg, advanced gastrula phase, c.s

HOW TO ORDER INDIVIDUAL EUROSLIDES

Minimum purchase quantity is 10 pieces of the same slide

The individual slides always have to be ordered together with a storage box (e.g. PB.5181 for 25 slides)

individual euroslides for botany

This series of botanic microscopy slides consists of samples of sections of roots, stems, leaves, flowers, fruits and seeds, ferns and mosses, fungi, algae and bacteria

ROOTS

- SB.2006** Allium cepa, onion, scale epidermis, w.m
- SB.2009** Allium cepa, onion, mitosis root tip, l.s
- SB.2015** Ranunculus, buttercup, root, c.s

- SB.2020** Helianthus, sunflower, old root, c.s
- SB.2025** Monocot/dicot plant roots, zea mays/helantius, c.s
- SB.2040** Solanum tuberosum, potato, starch grains

STEMS

- SB.2055** Zea mays, corn, stem, c.s
- SB.2060** Triticum aestivum, wheat, stem, c.s
- SB.2070** Helianthus, sunflower, young stem, c.s
- SB.2076** Tilia, lime tree, 1, 2 and 3 year stems on one slide, c.s
- SB.2095** Monocot/dicot stem, corn/pumpkin, c.s
- SB.2100** Pelargonium hortorum, geranium, stem, c.s
- SB.2105** Hibiscus, young stem, c.s
- SB.2115** Sambucus, elderberry or Morus Alba, mulberry, stem with cork cambium and lenticels, c.s

LEAVES

- SB.2130** Helianthus, sunflower, leaf, c.s
- SB.2135** Nerium oleander, leaf with sunken stomata, c.s
- SB.2140** Triticum, wheat, leaf, c.s
- SB.2150** Monocot/dicot leaves, zea mays/ligustrum lucidum, c.s
- SB.2160** Lilium, lily leaf, c.s

FLOWERS, FRUITS AND SEEDS

- SB.2205** Monocot/dicot flower, zea mays/ranunculus, c.s
- SB.2210** Lilium, lily, anther with mature pollen, c.s
- SB.2212** Lilium, lily, ovary, c.s
- SB.2214** Lilium, lily, pollen, different stages of meiosis
- SB.2220** Capsella, shepherds' purse, ovary w. embryo in pre-cotyledon stadium, l.s
- SB.2222** Capsella, sheperd's purse, ovary w. embryo in cotyledon stadium, l.s
- SB.2225** Zea mays, corn seed with embryo, l.s
- SB.2232** Pinus, pine tree, female (cone) globose fruit, l.s
- SB.2240** Triticum aestivum, wheat, kernel, l.s

FERNS AND MOSSES

- SB.2315** Cyrtomium, holly fern, prothallium with young sporophyt, w.m
- SB.2337** Mnium, antheridial branch, l.s
- SB.2339** Mnium, archegonial branch, l.s

FUNGI

- SB.2360** Saccaromyces sp., yeast, budding, w.m
- SB.2365** Penicillium sp., w.m
- SB.2373** Coprinus, ink caps mushroom, section of pileus
- SB.2374** Aspergillus, brown mold, w.m

ALGAE

- SB.2377** Diatoms, w.m
- SB.2380** Spirogyra sp. in conjugation
- SB.2384** Volvox sp., w.m

BACTERIA

- SB.2420** 3 types of bacteria, cocci, bacilli, spirelli

GLOBE SLIDES



product information

microscope slides

for professional use

Euromex offers Globe Scientific professional microscope slides in three distinct lines, to meet the demands of today's modern laboratories

MICROSCOPE SLIDES

General purpose microscope slides

The economical alternative for less demanding applications

Diamond Essentials microscope slides

Produced from the highest quality soda lime glass and ideal for use in all routine applications. These slides provide excellent quality while offering substantial savings

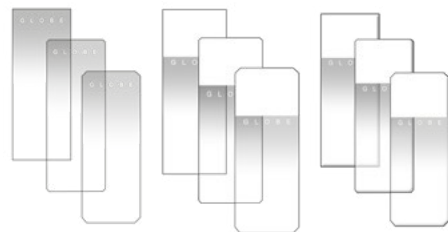
Diamond White Glass microscope slides

Produced from superior quality white glass with exceptional clarity, low self-fluorescence and uniform thickness. The glass is formulated for minimal oxidation, which ensures sample integrity during long-term storage. This top quality line is designed for the most demanding applications and provides considerable savings compared to other name brand white glass slides on the market

Globe Scientific microscope slides are offered in a large selection of Colors, corner styles and edges. All slides are pre-cleaned and ready to use. Globe Scientific can also custom produce microscope slides for your particular needs

CORNER/EDGE TYPES

- Traditional style: 90° ground edge/90° corners.
Frosted or plain
- Safety corners: 90° ground edge/slightly clipped corners.
Corners are slightly clipped for safety and comfort
- Clipped corners: 45° beveled edge/clipped corners.
No sharp edges. Perfect for blood smears



● Plain ● Frosted ● Frosted and embossed

GENERAL PURPOSE SLIDES

ITEM	Plain*	Frosted	Ground edge	Safety corners**	Case
1291	•		•	•	1440
1294		one side	•	•	1440

* The plain slides have painted dots in each corner to help alleviate sticking. All slides are pre-cleaned and ready to use

** Safety corners: 90° ground edge/slightly clipped corners. Corners are slightly clipped for safety and comfort

DIAMOND ESSENTIALS

ITEM	90° corners	Safety corners	Clipped corners	Ground edges	Beveled edges	Frosted 1 side	Frosted 2 sides	Color	Case
1301	•			•					1440
1321		•		•					1440
1331			•		•				1440
1304	•			•		•			1440
1324		•		•		•			1440
1334			•		•	•			1440
1308	•			•			•		1440
1328		•		•			•		1440
1338			•		•		•		1440
1304B	•			•		•		Blue	1440
1304G	•			•		•		Green	1440
1304N	•			•		•		Orange	1440
1304P	•			•		•		Pink	1440
1304W	•			•		•		White	1440
1304Y	•			•		•		Yellow	1440
1324B		•		•		•		Blue	1440
1324N		•		•		•		Orange	1440
1324P		•		•		•		Pink	1440
1324W		•		•		•		White	1440
1324Y		•		•		•		Yellow	1440
1334B					•	•		Blue	1440
1334G					•	•		Green	1440
1334P					•	•		Pink	1440
1334W					•	•		White	1440
1334Y					•	•		Yellow	1440

DIAMOND WHITE GLASS

ITEM	Plain	Frosted	Ground edge	Beveled edge	90° corners	Clipped corners	Charged	Color	Case
1380-10	•		•		•				1440
1384-10	•			•		•			1440
1380-20		one side	•		•				1440
1384-20		one side		•		•			1440
1380-30		two sides	•		•				1440
1384-30		two sides		•		•			1440
1380-50B		•	•		•			Blue	1440
1380-50P		•	•		•			Pink	1440
1380-50W		•	•		•			White	1440
1380-50Y		•	•		•			Yellow	1440
1384-50P		•		•		•		Pink	1440
1384-50W		•		•		•		White	1440
1358B	•	•	•		•		•	Blue	1440
1358G	•	•	•		•		•	Green	1440
1358P	•	•	•		•		•	Pink	1440
1358W	•	•	•		•		•	White	1440
1358Y	•	•	•		•		•	Yellow	1440
1354W	•			•		•	•	White	1440

COVER GLASSES

Our Cover glass range is produced to meet microscopy and laboratory needs, ensuring precise results in every analysis. Our cover glass protects specimens, minimizes contamination and optimizes optical performance. With premium quality, uniform thickness, exceptional clarity and chemical resistance, our cover glass is versatile for various applications. The cover glass is offered in two thicknesses and various sizes

KEY FEATURES

- **High quality material**
Made from chemically-resistant white glass
- **Uniform flatness**
Ensures consistent sample preparation and examination
- **Aluminum wrapped**
Prevents sticking, ensuring easy separation
- **2 Thicknesses**
Available in No. 1 (0.14mm) and No. 1.5 (0.175mm)
- **Recommended use**
Ideal for manual applications in histology, cytology, urinalysis and microbiology



● Cover glasses

COVER GLASS

ITEM	Size	Thickness 0.14 mm (nr. 1)	Thickness 0.175 mm (nr. 1.5)	Pcs per box	Per carton
1401-10-200	18 x 18 mm	•		200	1000
1401-15-200	18 x 18 mm		•	200	1000
1402-10-200	20 x 20 mm	•		200	1000
1402-15-200	20 x 20 mm		•	200	1000
1404-10-200	22 x 22 mm	•		200	1000
1404-15-200	22 x 22 mm		•	200	1000
1408-10-100	24 x 32 mm	•		100	1000
1408-15-100	24 x 32 mm		•	100	1000
1415-10-100	24 x 50 mm	•		100	1000
1415-15-100	24 x 50 mm		•	100	1000
1419-10-100	24 x 60 mm	•		100	1000

SLIDE MAILERS

Our range ensures secure transportation and protection for microscope slides. Engineered for durability, our mailers guarantee your specimens arrive intact

RELIABLE PROTECTION

Our mailers safeguard slides from damage, breakage and contaminants during transit, offering peace of mind for analysis or archival purposes

KEY FEATURES

- **Secure Enclosure:** Ensures slides remaining safely enclosed during transportation
- **Shock Absorption:** Minimizes damage risk with sturdy, cushioned interiors
- **Compatibility:** Accommodates standard microscope slide sizes and thicknesses
- **Convenience:** Streamlines packaging and handling with user-friendly designs
- **Versatility:** Offers various configurations to suit specific shipping and storage needs

Cardboard slide mailers

Cardboard slide mailers feature an inner finger groove for effortless slide removal along with a cover that opens for viewing. The flat surface area is ideal for labeling or writing any necessary information. They are lightweight and reusable to minimize cost. The 20-place cardboard slide holder contains a numerical index that corresponds to the inner slide compartments. The inside flaps are recessed so that there is no contact or contamination between the slides and the cover when closed. With a 360° hinge, the cover folds flat underneath to save space when the holder is in use

Extra sturdy plastic slide mailers

Our plastic slide mailers are produced from polypropylene (PP) and feature a snap-close lid to keep slides secure during transport

Plastic slide mailers with flip top lids

These compact plastic slide mailers are produced from polypropylene (PP) and feature a flip-top lid to keep slides secure during transport. The slim design saves valuable space and features inner slots which keep slides separated

Side opening — for 5 slides

The side opening lid provides easy access to the entire length of the slide



● Slide mailers

SLIDE STORAGE

Our products ensure the integrity and longevity of your slides. Choose from compact boxes or durable trays to meet your needs

KEY FEATURES

- **Secure storage:**
Protects slides from damage, dust and contaminants
- **Organization:**
Various sizes and configurations for efficient workflow
- **Compatibility:**
Accommodates standard microscope slides
- **Space-efficiency:**
Maximizes storage space in laboratories

Slide storage boxes

Globe Scientific's microscope slide storage boxes are produced from durable ABS plastic and offer a hinged lid for easy opening and closing. An inventory sheet is affixed to the inside cover for convenient slide identification and organization. The base of the box is cork lined for added protection. Available in four sizes and various colours, these storage boxes accommodate 25 x 75 mm and 1" x 3" microscope slides

Heavy-duty slide storage boxes with stainless steel clasp

These stackable boxes are produced from durable ABS plastic and feature heavy-duty stainless steel clasps and hinged lids for easy opening and closing. An inventory sheet is affixed to the inside cover for convenient slide identification and organization. The base of the box is cork lined for added protection. Available in 6 colours, these storage boxes accommodate 25 x 75 mm microscope slides



SLIDE MAILERS

ITEM	Material	Specifics	Description	Color	Packaging options
513001	Cardboard		holds 1 slide		100 & 1000
513002	Cardboard		holds 2 slides		100 & 1000
513003	Cardboard		holds 3 slides		50 & 500
513004	Cardboard		holds 4 slides		50 & 200
513025	Cardboard		holds 20 slides		1 & 10
513031	Plastic		holds 1 slide	Natural	100 & 1000
513041	Plastic		holds 2 slides	Natural	100 & 1000
513041B	Plastic		holds 2 slides	Blue	100 & 1000
513045	Plastic		holds 3 slides	natural	100 & 1000
513052	Plastic	with flip top lids	holds 2 slides	Natural	100 & 1000
513052B	Plastic	with flip top lids	holds 2 slides	Blue	100 & 1000
513062	Plastic	with flip top lids	holds 5 slides	Natural	100 & 1000
513062B	Plastic	with flip top lids	holds 5 slides	Blue	100 & 1000
513065	Plastic	Side opening	holds 5 slides	Natural	100 & 1000
513055	Plastic	Side opening	holds 5 slides	Natural	100 & 1000

SLIDE STORAGE

ITEM	Number of slides	With tray	Tray alone	Color	Dimensions (L x W x H)	Case
513029A	20			Grey		Each
513029B	20			Blue		Each
513029G	20			Green		Each
513029Y	20			Yellow		Each
513029W	20			White		Each
513250B	100	•		Blue		Each
513250G	100	•		Green		Each
513250P	100	•		Pink		Each
513250W	100	•		White		Each
513250Y	100	•		Yellow		Each
513252B	100		•	Blue		Each
513252G	100		•	Green		Each
513252P	100		•	Pink		Each
513252W	100		•	White		Each
513252Y	100		•	Yellow		Each
513072A	12			Grey	82 x 51 x 35 mm	1
513072B	12			Blue	82 x 51 x 35 mm	1
513072G	12			Dark grey	82 x 51 x 35 mm	1
513072N	12			Orange	82 x 51 x 35 mm	1
513072W	12			White	82 x 51 x 35 mm	1
513072AST	12			(1 ea. A,B,G,N,W)	82 x 51 x 35 mm	5
513075A	25			Grey	96 x 84 x 35 mm	1
513075B	25			Blue	96 x 84 x 35 mm	1
513075G	25			Dark grey	96 x 84 x 35 mm	1
513075N	25			Orange	96 x 84 x 35 mm	1
513075W	25			White	96 x 84 x 35 mm	1
513075Y	25			(1 ea. A,B,G,N,W)	96 x 84 x 35 mm	5
513077A	50			Grey	203 x 82 x 35 mm	1
513077B	50			Blue	203 x 82 x 35 mm	1
513077G	50			Dark grey	203 x 82 x 35 mm	1
513077N	50			Orange	203 x 82 x 35 mm	1
513077W	50			White	203 x 82 x 35 mm	1
513077AST	50			(1 ea. A,B,G,N,W)	203 x 82 x 35 mm	5
513079A	100			Grey	203 x 165 x 35 mm	1
513079B	100			Blue	203 x 165 x 35 mm	1
513079G	100			Dark grey	203 x 165 x 35 mm	1
513079R	100			Red	203 x 165 x 35 mm	1
513079W	100			White	203 x 165 x 35 mm	1
513079N	100			Orange	203 x 165 x 35 mm	1
513079AST	100			(1 ea. A,B,G,N,W)	203 x 165 x 35 mm	5
513080A	100			Grey	203 x 165 x 35 mm	1
513080B	100			Blue	203 x 165 x 35 mm	1
513080G	100			Dark grey	203 x 165 x 35 mm	1
513080N	100			Orange	203 x 165 x 35 mm	1
513080R	100			Red	203 x 165 x 35 mm	1
513080W	100			White	203 x 165 x 35 mm	1
513080AST	100			(1 ea. A,B,G,N,W)	203 x 165 x 35 mm	5

DISPOSABLES



product information

disposables

Microscope slides for educational use

- PB.5150** Microscope slides 76 x 26 mm, clear glass, cut edges. 50 pieces
- PB.5155** Microscope slides 76 x 26 mm clear glass, ground edges. 50 pieces
- PB.5157-W** Microscope slides 76 x 26 mm, ground white frosted side, 50 pieces
- PB.5157-B** Microscope slides 76 x 26 mm, ground blue frosted side, 50 pieces
- PB.5160** Microscope slides 76 x 26 mm with concavity, ground edges. 10 pieces

- PB.5165** Cover glasses 18 x 18 mm, thickness 0.13-0.17 mm. 100 pieces
- PB.5168** Cover glasses 22 x 22 mm, thickness 0.13-0.17 mm. 100 pieces
- PB.5170** Cover glasses Ø18 mm, thickness 0.13-0.17 mm. 100 pieces

MICROSCOPE SLIDE BOXES

- PB.5181** Black plastic slide box for 25
- PB.5180** Wooden slide box for 25 slides. White interior with index
- PB.5185** Black plastic slide box for 100 slides



● PB.5150

● PB.5180

● PB.5168 / PB.5170

STAINS

Staining enables observation of cells and tissues of low contrast. Euromex offers a range of common stains



product information



MISCELLANEOUS ACCESSORIES

- PB.5200** Staining trough for 10 slides
- PB.5210** Fine pointed brush
- PB.5245** Lens paper. 100 sheets
- PB.5250** Solid paraffin. Melting point 60°C, 200 grams
- PB.5255** Immersion oil, refractive index nD = 1.515. (25 ml)
- PB.5265** Entellan, quick drying Canada balsam. In bottle (25 ml)
- PB.5274** Isopropyl alcohol 99%. In bottle (200 ml)
- PB.5277** Formalin 40%, fixing agent. In bottle (200 ml)
- PB.5275** Cleaning kit: lens cleaning fluid, lint free lens tissue, brush, air blower, cotton swabs
- PB.5276** Microscope maintenance and servicing kit, 16 pieces: cleaning brush, screwdriver set of 6, air blower, 3 Allen keys, 1.5, 2, 2.5 mm, lens cleaning fluid 20 ml, cleaning cloth 140 x 140 mm, 100 lens tissue sheets, tube of maintenance grease, 10 ml bottle of oil, packed in a nice toolbox

(DISSOLVED) STAINS

Supplied in 25 ml bottles

- PB.5283** Eosin yellow. Stain for general overall-view coloring
- PB.5286** Haematoxylin according to Ehrlich. General purpose nuclear stain
- PB.5289** Astra Blue. Stain for vegetal cells. To be used in combination with safranin
- PB.5292** Orange-G, stain for most elementary structures of animal tissues
- PB.5295** Safranin. A general stain for showing nuclei and cellulose walls. To be used in combination with Astra Blue
- PB.5297** Methylene Blue. Biological and bacteriological stain
- PB.5300** Analin Blue, to be used as third color for Azo pigmentation
- PB.5305** Fuchsin. For staining bacilli in tissue



● PB.5276

● PB.5286 - PB.5297

● PB.5210

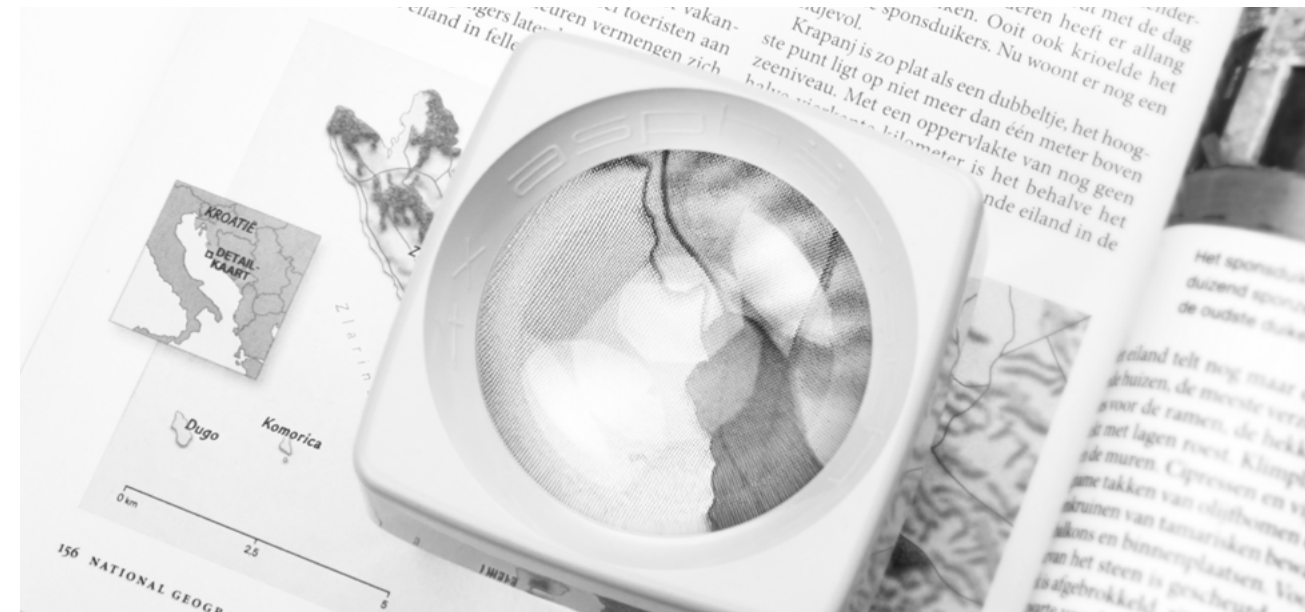
● PB.5245

other products

optical instruments



optical instruments



product information

Euromex offers a large range of optical products for a wide variety of applications in different fields

Our high-quality magnifiers, refractometers and other optical instruments all ensure an excellent optical quality and unmatched durability

- MAGNIFIERS & MEASURING MICROSCOPES • 396**
- REFRACTOMETERS • 400**
- POLARIMETERS • 406**
- SPECTROMETERS • 408**

MAGNIFIERS & MEASURING MICROSCOPES

Magnifiers are widely used by biologists, jewelers, watchmakers and philatelists to accurately observe all details of the object



product information

handheld magnifiers and magnifiers with handles

- PB.5020** Magnifier with handle 4x, lens Ø 50 mm and handle Ø 8 mm. Fits on PB.5022
- PB.5021** Magnifier with handle 10x, aplanatic lens Ø 25 mm and handle Ø 8 mm. Fits on PB.5022
- PB.5022** Heavy stand with adjustable cross clamp, base Ø 70 mm. Weight 450 grams. For PB.5022 and PB.5021



● PB.5020

● PB.5021

● PB.5022

FOLDING MAGNIFIERS

- PB.5016** Aplanatic magnifier 6x, doublet. Lens Ø 20 mm. Field of view 25 mm
- PB.5018** Aplanatic magnifier 15x, doublet. Lens Ø 18 mm. Field of view 14 mm
- PB.5032** Achromatic magnifier 10x, triplet. Lens Ø 20 mm. Field of view 15 mm
- PB.5033** Achromatic magnifier 20x, triplet. Lens Ø 20 mm. Field of view 8 mm



● PB.5032

- PB.5036** Aplanatic magnifier 10x, doublet. Lens Ø 20 mm. Field of view 20 mm
- PB.5037** Achromatic diamond magnifier 10x with four lenses Ø 21 mm. Field of view 25 mm



● PB.5016

FOLDING MAGNIFIERS WHITE LED ILLUMINATION

- PB.5034-LED** Achromatic magnifier 10x triplet. Lens Ø 21 mm. White LED illumination
- PB.5018-LED** Achromatic magnifier 15x triplet. Lens Ø 21mm. White LED illumination
- PB.5033-LED** Achromatic magnifier 20x, triplet. Lens Ø 21 mm. White LED illumination
- PB.5035-LED** Achromatic magnifier 30x triplet. Lens Ø 21 mm. White LED illumination



● PB.5034-LED

FOLDING MAGNIFIERS WHITE LED AND UV ILLUMINATION

- PB.5034-LUV** Achromatic magnifier 10x triplet. Lens Ø 21 mm. White LED and UV illumination
- PB.5018-LUV** Achromatic magnifier 15x triplet. Lens Ø 21mm. White LED and UV illumination
- PB.5033-LUV** Achromatic magnifier 20x, triplet. Lens Ø 21 mm. White LED and UV illumination
- PB.5035-LUV** Achromatic magnifier 30x triplet. Lens Ø 21 mm. White LED and UV illumination



● PB.5034-LUV

MAGNIFIERS & MEASURING MICROSCOPES

Measuring microscopes are built with a microscope objective for magnifications from 20 to 100x times



magnifiers & measuring microscopes

TABLE MAGNIFIERS

- PB.5039** Table magnifier, 15x magnification. Glass achromatic lens Ø 19 mm, field of view 15 mm
- PB.5041** Table magnifier, 10x magnification. Glass lens Ø 26 mm, field of view 25 mm
- PB.5040** Table magnifier, 8x magnification. Plastic lens Ø 23 mm, field of view 30 mm. 10mm/100 reticle



● PB.5039 / PB.5041



● PB.5040

MISCELLANEOUS MAGNIFIERS

- PB.5030** Dual sliding magnifier with 3x and 6x magnification. Lens aperture 23 x 23 mm. Fields of view 50 x 50 mm and 25 x 25 mm. Plastic housing
- PB.5049** Linen tester folding magnifier with 6x aplanatic lens. A 25 x 25 mm base with millimeter scale. Metal casing lacquered in black. Supplied with plastic case



● PB.5030



● PB.5049

MEASURING MAGNIFIERS WITH RETICLE

- PB.5044** Measuring magnifier 7x. Eyepiece Ø 18 mm. Field of view 24 mm. Measuring scale 10-0-10 mm divided into 0.1 mm and crosshairs
- PB.5045** Measuring magnifier 7x. Eyepiece Ø 18 mm. Field of view 24 mm. With 5 interchangeable scales for angle, thickness and linear measurements
- PB.5046** Measuring magnifier 10x. Eyepiece Ø 20 mm. Field of view 35 mm. Measuring scale 15-0-15 mm with 0.1, 0.2 and 0.5 mm graduations
- PB.5047** Measuring magnifier 10x. Eyepiece Ø 25 mm. Field of view 30 mm. Measuring scale 15-0-15 mm with 0.1, 0.2 and 0.5 mm graduations. White LED-illumination



● PB.5046



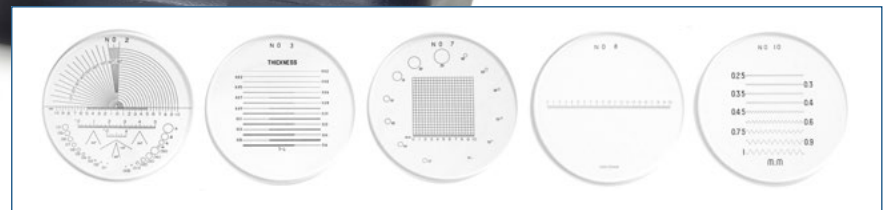
● PB.5047



● PB.5044



● PB.5045



MEASURING MICROSCOPES

- PB.5008** Measuring microscope 20x with LED illumination. Measuring scale 7.2 mm with 0.1 mm graduation
- PB.5010** Measuring microscope 40x with LED illumination. Measuring scale 3 mm with 0.05 mm graduation
- PB.5012** Measuring microscope 60x with LED illumination. Measuring scale 1.75 mm with 0.02 mm graduation
- PB.5014** Measuring microscope 100x with LED illumination. Measuring scale 1.1 mm with 0.01 mm graduation



● PB.5008

refractometers



refractometers



refractometers

Refractometers are used for the identification of substances and concentration measurements of fluids. Because the refractive index (R.I.) of a solution is proportional to the concentration, it is easy to identify the substance or to measure the purity and concentrations of solutions

The Euromex refractometers are calibrated at 20° Celsius. Most refractometers are equipped with Automatic Temperature Compensation (ATC)

REFRACTOMETERS • PAGE 402
ABBE REFRACTOMETER • PAGE 405

REFRACTOMETERS

The Euromex refractometers are ideal for determining concentrations, testing and measuring of fluids



● Analog refractometer

● Digital refractometer

refractometers handheld and table models

A refractometer is an instrument that measures the refractive index of a liquid or refractive material such as sugar concentrations in fruits, juices, soft drinks, energy drinks, wines or must, liquors, jams, honey, industrial lubricants, antifreeze, ethanol, battery acids, salt, propylene glycol, ethylene glycol solutions

A few drops of the liquid that needs to be examined are gently deposited on a measuring prism and covered with a cover glass. The rays of the light source (ambient light, built-in LED light source or external cold-light source) will be bent (refracted) in function of the composition of the liquid under observation

This results in a shadow line between a dark and a light portion. The measured value can be directly read through a focusable eyepiece on a refraction index scale and/or on a specific built-in scale(s) of the refractometer in Brix, Oechsle, Babo units or % volume, specific gravity, protein in serum or in °C

Euromex offers portable or handheld refractometers, analogue or digital and laboratory Abbe refractometer products used in wine making, distilling, food processing, canning, beekeeping, brewing, pharmaceutical, manufacturing, machining, automotive industries

Most of the refractometers have also an A(utomated) T(emperature) C(ompensation) mechanism in order to compensate for temperature variations. Calibration can be verified with a calibration fluid (in most cases distilled water) and adjusted by a screw if needed

Application	Art no	Range	Accuracy	Remarks	ATC	Handheld model	Table model	Analog	Digital	
Concentrations of sugar in marmalades, fruits, syrups, wine and monitoring of oil emulsions	RF.6190	0-90	Brix	0.2	3 scales: 0-42 / 42-71 / 71-90 Brix	•		•		
	RF.6510	0 - 10	Brix	0.1		•	•	•		
	RF.6520	0 - 20	Brix	0.1		•	•	•		
	RF.6532	0 - 32	Brix	0.2		•	•	•		
	RF.6562	28 - 62	Brix	0.2		•	•	•		
	RF.6580	0 - 80	Brix	0.5		•	•	•		
	RF.6582	45 - 82	Brix	0.5		•	•	•		
	RF.6592	58 - 92	Brix	0.2		•	•	•		
	RF.6635	0 - 150	°Oe	1	Oechsle units	•	•	•		
		0 - 35	Brix	0.2	Sugar concentration					
		0 - 27	*KMW	0.2	Babo units					
		0 - 22	%	0.2	% volume					
		0 - 37	CNM	0.5						
		RD.6735	0 - 150	°Oe	1		•	•		•
			0 - 35	Brix	0.1					
		0 - 25	*KMW	0.1						
		0 - 22	%	0.1						
	RD.6645	0 - 45	Brix	0.1		•	•		•	
		1.33 - 1.41	R.I.	0.0003						
	RD.6666	0 - 80	Brix	0.5		•	•		•	
		1.33 - 1.51	R.I.	0.0005						
	RD.6667	58 - 92	Brix	0.2		•	•		•	
		1.43 - 1.52	R.I.	0.0003						
Honey	RF.6642	13 - 25	%	0.1	Honey moisture	•	•	•		
	RF.6644	58 - 92	Brix	0.5		•	•	•		
		38 - 43	°Be	0.5	Water					
		12 - 27	%	1						
Concentration of sugar/alcohol %	RF.6627	0 - 25	%	0.2	% volume	•	•	•		
		0 - 40	Brix	0.2						
		0 - 20	Baume	0.2						
Salinity and concentration of sugar	RF.6610	0 - 100	‰	1		•	•	•		
		0 - 10	Brix	0.1						
		1.00 - 1.07	R.I.	0.005						
	RF.6628	0 - 28	%	0.2		•	•	•		
RD.6728		0 - 28	%	0.1	% NaCl	•	•		•	
		0 - 45	Brix	0.1						
		1.33 - 1.41	R.I.	0.0003	Only for sugar/salt					
Clinical applications Proteins	RF.6612	0 - 12	g/dl	0.2	Proteins in serum	•	•	•		
		1.00 - 1.05	sg	0.002	Urine specific gravity					
		1.333 - 1.360	R.I.	0.0003						
RF.6614		2 - 14	g/dl	0.1	Proteins in serum	•	•	•		
		1.00 - 1.06	sg	0.001	Urine specific gravity (dog)					
		1.00 - 1.06	sg	0.001	Urine specific gravity (cat)					

Application	Art no	Range		Accuracy	Remarks	ATC	Handheld model	Table model	Analog	Digital
	RD.6712	0 - 12	g/dl	0.1	Proteins in serum	•	•			•
		1.00 - 1.05	sg	0.001	Urine specific gravity					
		1.33 - 1.39	R.I.	0.0001						
	RD.6714	0 - 14	g/dl	0.1	Proteins in serum (dog)	•	•			•
		0 - 14	g/dl	0.1	Proteins in serum (cat)					
		1.00 - 1.06	sg	0.001	Urine specific gravity (dog)					
1.00 - 1.06		sg	0.001	Urine specific gravity (cat)						
Battery Acid/Coolant	RF.6650	1.10 - 1.40	sg	0.01	Battery fluids	•	•			•
		-50 / 0	°C	5	Ethylene glycol G13					
		-50 / 0	°C	5	Propylene glycol G11/12					
		-40 / 0	°C	10	windshield washer fluid					
	RD.6730	1.0 - 1.50	sg	0.01	Battery fluids	•	•			•
		-50 / 0	°C	0.5	Ethylene glycol G13					
		-50 / 0	°C	0.5	Propylene glycol G11/12					
		-40 / 0	°C	0.5	windshield washer fluid					
		-40 / 0	°C	0.5	windshield washer fluid					
AdBlue/Urea	RF.6652	0 - 40	%	0.2		•	•			•
Identification of precious stones	RF.6381	1.30 - 1.81	R.I.	0.01				•		•

ACCESSORIES AND SPARE PARTS

- LE.5209** 20 W 12 V cold light source with single fiber light conductor (for Abbe refractometer 98.490)
- 98.492** Thermometer 0-50° C (for Abbe refractometer 98.490)
- 98.496** Calibration slide nD 1.5163 (for Abbe refractometer 98.490)

● Digital refractometer



● RF.6381



● 98.490

Abbe laboratory refractometer substance identification

The Abbe laboratory refractometer is a bench-top instrument for high-precision measurements of an index of refraction and suitable for determination of the refractive index of solid samples, such as glass, plastics and polymer films

The instrument is supplied with a thermometer and water connection to control fluid temperatures. Also equipped with a Brix and a refraction index scale and supplied with a test plate

Capable of measuring all kinds of concentrations and identifying several types of substances

The Abbe refractometer can be connected to a water bath for measuring at a controlled temperature. During the use of this type of refractometer the use of a cold light source such as the LE.5209 is recommended.

This Abbe table refractometer has scales for measurement of sugar concentrations and refractive indices. Delivered with carrying case, digital thermometer, calibration plate, adjusting tool and with 0.5 ml calibration liquid

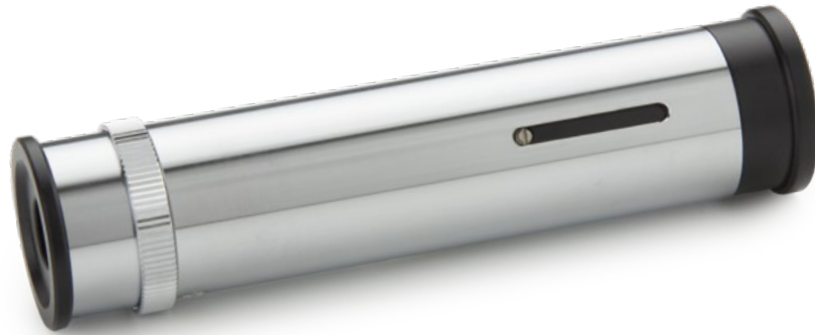


product information

Substance identification of sugar concentration

MODEL	Range	Accuracy	Remarks	Analog
98.490	0-95 Brix	0.1	Abbe table refractometer without light source	•
	1.300-1.700 RI	0.0002		

polarimeters & spectrosopes



polarimeters & spectrosopes

A polarimeter measures the rotation angle of polarized light traveling through an optically active substance.

The rotation angle of the polarization plane of linear polarized light is different for each optical active substance as described in the Law of Biot

Polarimetry is a non-destructive test method for measuring optical activity of organic and inorganic substances. It is very useful to analyze expensive non-reproducible samples. Polarimeters are extensively used for quality and process control in research laboratories in the chemical and food industry

Spectrosopes are used to visualize the light spectrum of light sources

POLARIMETERS



product information

polarimeter

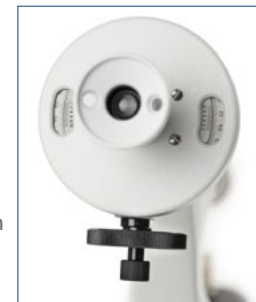
● 99.400-LED

Polarimeters are suitable for fast and accurate measurements of sugars, glucose, perfume, chemical substances and medical drugs. Equipped with a Glan Thomson prism and Laurent Quartz plate, a built-in 230 V 589.3 nm sodium lamp or a high-power LED with 589.3 nm filter

HIGHLIGHTS

The polarimeters are delivered with 100 and 200 mm observation tubes
Equipped with a built-in 230 V 589.3 nm sodium lamp or high-power LED with 589.3 nm filter
Fast and accurate

Polar scale, range $\pm 180^\circ$ with 0.1° readings.
Supplied with observation tubes of 100 mm and 200 mm.
Bright light measuring field permits reading with accuracy of 0.1° with aid of Vernier



ACCESSORIES FOR 99.400

- 99.410** Measuring tube, 100 mm long
- 99.415** Measuring tube, 200 mm long
- 99.430** Cover glass for measuring tube \varnothing 15 mm
- 99.431** Rubber ring (for 99.430)
- 99.197** Spare sodium 589.3 nm lamp

MODEL	Scales	Accuracy	Observation tubes 100 and 200 mm	230 V sodium lamp with 589.3 nm filter	230 V High power LED with 589.3 nm filter
99.400	$\pm 180^\circ$	$\pm 0.1^\circ$ polar scale	•	•	
99.400-LED	$\pm 180^\circ$	$\pm 0.1^\circ$ polar scale	•		•

SPECTROSCOPES

Euromex handheld spectrosopes are used for optical experiments in natural sciences, industry and education



product information



handheld spectrosopes

SP.5200

Handheld spectroscope with adjustable slit, comparison prism, mirror, five glass mini-cuvettes and wavelength scale 400 - 700 nm with 589 nm indication. Divisions 10 nm

- Direct vision type
- Adjustable eye lens
- Adjustable slit 0 - 1 mm
- Angle dispersion C - F 7°
- Linear dispersion 60 mm
- Comparison prism for comparison between products
- Mirror
- 5 Glass cuvettes
- Wavelength scale 400 - 700 nm



• SP.5200

MODEL	Dimensions	Weight (grams)	Adjustable slit	Comparison prism	Angle dispersion	Linear dispersion	Wavelength scale	589 nm indication	With 5 glass cuvettes
SP.5200	h50x115xp23	250	0-1 mm	•	C-F 7°	60 mm	•	•	•

SP.5155

Handheld spectroscope with adjustable slit and comparison prism, mirror and five glass cuvettes

- Direct vision type
- Adjustable eyelens
- Adjustable slit 0 - 1 mm
- Angle dispersion C - F 7°
- Linear dispersion 60 mm
- Comparison prism
- Mirror
- five Glass cuvettes



• SP.5155

MODEL	Dimensions	Weight (grams)	Adjustable slit	Comparison prism	Angle dispersion	Linear dispersion	Wavelength scale	589 nm indication	With 5 glass cuvettes
SP.5155	h45x1105xd23	125	0-1 mm	•	C-F 7°	60 mm	--	--	•

SP.5150

Handheld spectroscope with adjustable slit from 0 tot 1 mm

- Direct vision type
- Adjustable eye lens
- Adjustable slit 0 - 1 mm
- Angle dispersion C - F 7°
- Linear dispersion 60 mm



• SP.5150

MODEL	Dimensions	Weight (grams)	Adjustable slit	Comparison prism	Angle dispersion	Linear dispersion	Wavelength scale	589 nm indication	With 5 glass cuvettes
SP.5150	90 x18 mm Ø	92	0-1 mm	--	C-F 7°	60 mm	--	--	--

SP.5100

Handheld spectroscope with fixed slit

- Direct vision type
- Adjustable eye lens
- Fixed slit
- Angle dispersion C - F 6°
- Linear dispersion 40 mm



• SP.5100

MODEL	Dimensions	Weight (grams)	Adjustable slit	Comparison prism	Angle dispersion	Linear dispersion	Wavelength scale	589 nm indication	With 5 glass cuvettes
SP.5100	90 x18 mm Ø	72	--	--	C-F 6°	40 mm	--	--	--

choose the right euromex microscope

Euromex offers a large range of microscope series. Selecting the right microscope for your application might be challenging and time consuming.

To simplify this process we have listed our recommended models for most common applications in education, laboratories and industry



microscope selector

EDUCATION	FIELD OF APPLICATION	RECOMMENDED MODELS
• botany	Study of plants as branch of biology. Plant anatomy and morphology. Plant genetics and ecology. Plant biochemistry	MicroBlue, EcoBlue, BioBlue, BlueScope, BioBlue.Lab, AP series, EduBlue, StereoBlue
• digital imaging	Observation and perform analysis on microscope images, storage and share captured and videos	CMEC cameras, CCD cameras, HD cameras, EduPad, MacroZoom
• electronics	Development, production, assembling and inspection of electronic components or circuitry	bScope *, EduBlue, StereoBlue, NexiusZoom, MacroZoom
• entomology	Study of insects as branch of zoology. Identification and classification of beetles, flies, termites, moths and butterflies, bees, ants, wasps	MicroBlue, EcoBlue, BioBlue, BlueScope, BioBlue.Lab, AP series, EduBlue, StereoBlue, MacroZoom
• geology, mineralogy	Earth Science; Study of solids, rocks and processes. Identification and classification of rocks and minerals	EcoBlue***, BioBlue***, AP series, EduBlue, StereoBlue
• geology, petrology	Identification by means of petrographic microscope	EcoBlue***, BioBlue***, AP series, EduBlue, StereoBlue
• mechanics	Manufacturing and quality inspection of mechanical parts	bScope *, EduBlue, StereoBlue, NexiusZoom, MacroZoom
• microbiology	Study of microscopic uni-, multi- or acellular small organisms such as protozoa, algae, bacteria and more. Identification and classification	MicroBlue, EcoBlue, BioBlue, BlueScope, bScope
• mycology	Study of fungi as branch of biology. Identification and classification	MicroBlue, EcoBlue, BioBlue, BlueScope, BioBlue.Lab, bScope, AP series, EduBlue, StereoBlue
• petrology	Study of the composition and structure of rocks as branch of geology. Identification by means of polarization microscopes	EcoBlue***, BioBlue***, AP series, EduBlue, StereoBlue
• zoology	Animal biology. Study of invertebrates and vertebrates and related branches	MicroBlue, EcoBlue, BioBlue, BlueScope, BioBlue.Lab, bScope, AP series, EduBlue, StereoBlue, MacroZoom

UNIVERSITY LABS	FIELD OF APPLICATION	RECOMMENDED MODELS
• agronomy & forestry	Selective breeding of plants, fruit and production of food from plants, wood from trees, fuel. Plant physiology and genetics research	BlueScope, BioBlue.Lab, bScope, iScope, Achios-X Observer, StereoBlue, NexiusZoom, DZ series, MacroZoom
• anatomopathology	Diagnosis of diseases of organs or tissues. Cytopathology and forensic pathology	BioBlue.Lab, bScope, iScope, Delphi-X Observer, NexiusZoom, DZ series, UltraZoom
• asbestos control	Research of asbestos fibers, environmental protection during restoration of older buildings	iScope (asbestos and polarization), NexiusZoom, DZ series, UltraZoom, Z series
• bacteriology	Study of bacteria as subdivision of microbiology. Identification, classification	BlueScope, BioBlue.Lab, bScope, iScope, Achios-X Observer, Delphi-X Observer
• biochemistry	Study of chemical processes within living organism. Identification and classification of enzymes and structure of biomolecules	BioBlue.Lab, bScope, iScope, Achios-X Observer, Delphi-X Observer
• biomedical	Study of medical microbiology, virology, epidemiology, biomedical engineering	BioBlue.Lab, iScope, Achios-X Observer, Delphi-X Observer
• biotechnology	Study of living organism in order to make food products, for plant protection (genetically modified organism) and other bio-process engineering. Development of pharmaceutical drugs, genetic testing, enzymes production, biofuels, textile	BioBlue.Lab, bScope, iScope, Achios-X Observer, Delphi-X Observer, StereoBlue, NexiusZoom, DZ series, UltraZoom
• botany	Study of plants as branch of biology. Plant anatomy and morphology. Plant genetics and ecology. Plant biochemistry	BlueScope, BioBlue.Lab, bScope, StereoBlue, NexiusZoom, DZ series, UltraZoom, MacroZoom
• cell culture	Controlled growing of cells and tissues, fungal culture and microbiological culture	Delphi-X Inverso, Achios-X Observer, Oxion Inverso, NexiusZoom, DZ series, UltraZoom
• chemistry	Study of the composition and properties of chemicals	BioBlue.Lab, iScope */***, Achios-X Observer*, bScope *, NexiusZoom, DZ series, UltraZoom
• cosmetics	Research, development and testing (safety) of substances for make-up or perfume	iScope *, bScope *, NexiusZoom, DZ series
• cytology	Study of cell structure, function and chemistry. Detection of cellular diseases	BioBlue.Lab, iScope, Achios-X Observer, Delphi-X Observer
• dermatology	Study and diagnosis, treatment of skin, nails and hair diseases	BlueScope, BioBlue.Lab, bScope, iScope, Achios-X Observer, NexiusZoom, StereoBlue, DZ series, UltraZoom, MacroZoom
• digital imaging	Observation and analysis of microscope images, save and share captured images and videos	CMEC cameras, CCD cameras, HD cameras, Cooled cameras, EduPad, ProPad
• electronics	Development, production, assembly and inspection of electronic components or circuitry	iScope *, Achios-X Observer*, bScope *, StereoBlue, NexiusZoom, DZ series, Z series, UltraZoom, MacroZoom
• embryo collection	Embryo collection and transfer in mares, pigs, cows. Quality control	NexiusZoom, DZ series, Z series

* materials models, ** fluorescence models, *** polarization models

UNIVERSITY LABS FIELD OF APPLICATION

RECOMMENDED MODELS

• embryology	Study of gametes, embryos and fetuses	BioBlue.Lab, iScope, StereoBlue, NexiusZoom, DZ series, UltraZoom
• entomology	Study of insects as branch of zoology. Identification and classification of beetles, flies, termites, moths and butterflies, bees, ants, wasps	BlueScope, BioBlue.Lab, bScope, iScope, StereoBlue, NexiusZoom, DZ series, UltraZoom, MacroZoom
• environmental	Monitoring of environmental conditions such as water, atmosphere, ecosystems, soil and pollution	BioBlue.Lab, bScope, iScope, StereoBlue, NexiusZoom, DZ series, UltraZoom
• fluorescence	Study of living and non-living materials with the help of fluorescence markers (fluorochromes)	iScope **, Achios-X Observer**, Delphi-X Observer**, Oxion Inverso**, bScope **, DZ series**, UltraZoom**
• food and beverages	Quality and safety controls, before, during and after the production of food and beverages	BioBlue.Lab, bScope, iScope
• forensics	Analysis of scientific evidence. Toxicology, fingerprints, Forensic anthropology and archeology, forensic botany and entomology	BioBlue.Lab, iScope, iScope */ ***, Achios-X Observer, Achios-X Observer**, Achios-X Inverso, Oxion Inverso, Oxion Inverso*, NexiusZoom, DZ series, UltraZoom, Z series
• genetics	Study of genes, heredity in living organisms including bacteria, plants, animals and humans	iScope, Achios-X Observer, Delphi-X Observer, DZ series, UltraZoom
• geology, mineralogy	Earth Science; Study of solids, rocks and processes. Identification and classification of rocks and minerals	iScope *, bScope *, StereoBlue, NexiusZoom, DZ series, UltraZoom, MacroZoom
• geology, petrology	Identification by means of petrographic microscopy	iScope ***, Delphi-X Observer***, StereoBlue, NexiusZoom, DZ series, UltraZoom
• glass industry	Quality control, before, during and after the production of glass and coatings	iScope *, Achios-X Observer*, Oxion Inverso*, bScope *, StereoBlue, NexiusZoom, DZ series, UltraZoom
• hematology	Study and diagnosis, treatment and prevention of diseases of the blood	iScope, Achios-X Observer, bScope (darkfield), iScope (darkfield), Oxion (darkfield)
• histopathology	Microscopic examination of tissue, diagnosis of diseases	iScope, Achios-X Observer, Delphi-X Observer
• horticulture	Selective breeding of plants and fruit for production of food	BlueScope, BioBlue.Lab, bScope, iScope, Achios-X Observer, StereoBlue, NexiusZoom, DZ series, UltraZoom, MacroZoom
• in vitro fertilization	In vitro fertilization IFV. Quality control of collected egg and sperm	StereoBlue, NexiusZoom, DZ series, UltraZoom, Z series
• marine biology	Study of organisms living in the ocean or seas as branch of biology	BlueScope, bScope, BioBlue.Lab, iScope, Achios-X Observer,
• mechanics	Manufacturing and quality inspection of mechanical parts	Delphi-X Observer*, Achios-X Observer*, iScope *, Achios-X Inverso*, Oxion Inverso*, bScope *, StereoBlue, NexiusZoom, DZ series, UltraZoom, MacroZoom
• metallurgy	Manufacturing and quality inspection of metallic elements, intermetallic compounds and alloys	Delphi-X Observer*, Achios-X Observer*, iScope *, bScope *, bScope large samples, StereoBlue, NexiusZoom, DZ series, UltraZoom, MacroZoom
• microbiology	Study of microscopic uni-, multi- or acellular small organisms such as protozoa, algae, bacteria and more	iScope, Achios-X Observer, StereoBlue, NexiusZoom, DZ series, UltraZoom
• mycology	Study of fungi as branch of biology	BlueScope, BioBlue.Lab, bScope, iScope, Achios-X Observer, StereoBlue, NexiusZoom, DZ series, UltraZoom

UNIVERSITY LABS FIELD OF APPLICATION

RECOMMENDED MODELS

• mining	Extraction of minerals for identification, quantitative and qualitative evaluation of minerals	Achios-X Observer*, iScope * (polarization), Oxion Inverso*, bScope *, bScope large samples, StereoBlue, NexiusZoom, DZ series, UltraZoom, MacroZoom
• neuropathology	Study and diagnosis of diseases in nervous system tissue	Delphi-X Observer, Achios-X Observer, iScope, StereoBlue, NexiusZoom, DZ series, UltraZoom
• oncology	Study and diagnosis, treatment and prevention of cancers	Delphi-X Observer, Achios-X Observer, iScope
• ornithology	Study of birds as branch of zoology. Diagnosis of diseases in birds such as competition pigeons	BlueScope, BioBlue.Lab, bScope, iScope, Achios-X Observer, StereoBlue, NexiusZoom, DZ series, UltraZoom
• paleontology	Study of fossils in order to determinate organisms evolution	Achios-X Observer*, iScope *, bScope *, StereoBlue, NexiusZoom, DZ series, UltraZoom, MacroZoom
• paper industry	Production of paper related products. Quality inspection	Achios-X Observer*, iScope *, bScope *, StereoBlue, NexiusZoom, DZ series, UltraZoom, MacroZoom
• parasitology	Study of parasites, medical and veterinary	BlueScope, BioBlue.Lab, bScope, iScope, Achios-X Observer, StereoBlue, NexiusZoom, DZ series, UltraZoom, MacroZoom
• pathology	Study and diagnosis of diseases	Delphi-X Observer, Achios-X Observer, iScope
• petrochemical	Research and transformation of crude oil and natural gas	Achios-X Observer*, iScope *, bScope *, StereoBlue, NexiusZoom, DZ series
• petrology	Study of the composition and structure of rocks as branch of geology. Identification by means of polarization	iScope ***, StereoBlue, NexiusZoom, DZ series, UltraZoom
• pharmaceutics	Development and production of drugs for medication. Quality assurance and inspection of produced products	Delphi-X Observer*/**, Achios-X Observer*/**, iScope ***, StereoBlue, NexiusZoom, DZ series, UltraZoom
• phytopathology	Study and diagnosis of plant diseases	BlueScope, BioBlue.Lab, bScope, iScope, Achios-X Observer, StereoBlue, NexiusZoom, DZ series, UltraZoom
• plastics	Development and production of plastics and plastic based compounds. Quality assurance and inspection	Achios-X Observer*, iScope *, Oxion Inverso*, bScope *, StereoBlue, NexiusZoom, DZ series, UltraZoom
• textile	Development and production of all kinds of textile based products. Quality assurance and inspection	Achios-X Observer*, iScope *, bScope *, AP series, StereoBlue, NexiusZoom, DZ series, UltraZoom, MacroZoom
• veterinary medicine	Prevention, diagnosis and treatment of diseases, injuries in animals	BlueScope, BioBlue.Lab, bScope, iScope, Achios-X Observer, Achios-X Inverso, Oxion Inverso, StereoBlue, NexiusZoom, DZ series, UltraZoom
• virology	Study and diagnosis of viruses and virus-like agents	Delphi-X Observer, Achios-X Observer, iScope, BioBlue.Lab, bScope
• water treatment	Production of drinking water and wastewater treatment. Quality control and disease prevention	BlueScope, BioBlue.Lab, bScope, iScope, Achios-X Observer
• wood production	Wood production for construction material, fuel. Quality control	Achios-X Observer*, iScope*, Oxion Inverso*, bScope *, bScope large samples, AP series, Stereo-Blue, NexiusZoom, DZ series, UltraZoom, MacroZoom
• zoology	Animal biology. Study of invertebrates and vertebrates and related branches	BioBlue.Lab, bScope, iScope, StereoBlue, NexiusZoom, DZ series, UltraZoom

* materials models, ** fluorescence models, *** polarization models

LIFE SCIENCE
LABORATORIES

FIELD OF APPLICATION

RECOMMENDED MODELS

• agronomy & forestry	Selective breeding of plants, fruit and production of food from plants, wood from trees, fuel. Plant physiology and genetics research	BlueScope, BioBlue.Lab, bScope, iScope, Achios-X Observer, StereoBlue, NexiusZoom, DZ series, UltraZoom, MacroZoom
• anatomopathology	Diagnosis of diseases of organs or tissues. Cytopathology and forensic pathology	Delphi-X Observer, Achios-X Observer, iScope, bScope, BioBlue.Lab, StereoBlue, NexiusZoom, DZ series, UltraZoom
• bacteriology	Study of bacteria as subdivision of microbiology. Identification, classification	BlueScope, BioBlue.Lab, bScope, iScope, Achios-X Observer, Oxion Inverso, Delphi-X Observer
• biochemistry	Study of chemical processes within living organism. Identification and classification of enzymes and structure of biomolecules	BioBlue.Lab, bScope, iScope, Achios-X Observer
• biomedical	Study of medical microbiology, virology, epidemiology, biomedical engineering	Delphi-X Observer, Achios-X Observer, iScope, bScope, BioBlue.Lab
• biotechnology	Study of living organism in order to make food products, for plant protection (genetically modified organism) and other bioprocess engineering. Development of pharmaceutical drugs, genetic testing, enzymes production, biofuels, textile	Delphi-X Observer, Achios-X Observer, iScope, bScope, BioBlue.Lab, NexiusZoom, DZ series, UltraZoom, MacroZoom
• botany	Study of plants as branch of biology. Plant anatomy and morphology. Plant genetics and ecology. Plant biochemistry	BlueScope, BioBlue.Lab, iScope, Achios-X Observer, StereoBlue, NexiusZoom, DZ series, UltraZoom
• cell culture	Controlled growth of cells and tissues, fungal culture and microbiological culture	Delphi-X Inverso, Oxion Inverso, NexiusZoom, DZ series, UltraZoom
• chemistry	Study of the composition and properties of chemicals	iScope ***, bScope *, NexiusZoom, DZ series, UltraZoom
• cosmetics	Research, development and testing (safety) of substances for make-up or perfume	bScope *, iScope *, Achios-X Observer, NexiusZoom, DZ series, UltraZoom
• cytology	Study of cell structure, function and chemistry. Detection of cellular diseases	Delphi-X Observer, Achios-X Observer, iScope, bScope, BioBlue.Lab
• dermatology	Study and diagnosis, treatment of skin, nails and hair diseases	Achios-X Observer, iScope, BioBlue.Lab, NexiusZoom, StereoBlue, DZ series, UltraZoom, MacroZoom
• digital imaging	Observation and analysis of microscope images, save and captured the images and videos	CMEX cameras, CCD cameras, HD cameras, Cooled cameras, ProPad, MacroZoom
• embryo collection	Embryo collection and transfer in mares, pigs, cows. Quality control	NexiusZoom, DZ series, Z series
• embryology	Study of gametes, embryos and fetuses	BioBlue.Lab, bScope, iScope, Achios-X Observer, NexiusZoom, DZ series, UltraZoom, Z series
• entomology	Study of insects as branch of zoology. Identification and classification of beetles, flies, termites, moths and butterflies, bees, ants, wasps	BlueScope, BioBlue.Lab, bScope, iScope, Achios-X Observer, StereoBlue, NexiusZoom, DZ series, UltraZoom, MacroZoom
• environmental	Monitoring of environmental conditions such as water, atmosphere, ecosystems, soil and pollution	BlueScope, BioBlue.Lab, bScope, iScope, Achios-X Observer, StereoBlue, NexiusZoom, DZ series, UltraZoom
• fluorescence	Study of living and non-living material with the help of fluorescence markers (fluorochromes)	Delphi-X Observer**, Achios-X Observer**, iScope **, Oxion Inverso**, bScope **, DZ series**, UltraZoom**
• forensics	Analysis of scientific evidence. Toxicology, fingerprints, Forensic anthropology and archeology, forensic botany and entomology	BioBlue.Lab, bScope, iScope, Achios-X Observer, Delphi-X Observer, Achios-X Inverso**, Oxion Inverso, NexiusZoom, DZ series, UltraZoom, Z series

LIFE SCIENCE
LABORATORIES

FIELD OF APPLICATION

RECOMMENDED MODELS

• food and beverages	Quality and safety controls, before, during and after the production of food and beverages	BlueScope, BioBlue.Lab, bScope, iScope, Achios-X Observer
• genetics	Study of genes, heredity in living organism including bacteria, plants, animals and humans	Delphi-X Observer, Achios-X Observer, iScope, DZ series, UltraZoom
• hematology	Study and diagnosis, treatment and prevention of diseases of the blood	Delphi-X Observer, Achios-X Observer, iScope, bScope (dark filed), iScope (darkfield), iScope
• histopathology	Microscopic examination of tissue, diagnosis of diseases	Delphi-X Observer, Achios-X Observer, iScope
• horticulture	Selective breeding of plants and fruit for production of food	BlueScope, BioBlue.Lab, bScope, iScope, Achios-X Observer, StereoBlue, NexiusZoom, DZ series, UltraZoom, MacroZoom
• in vitro fertilization	In vitro fertilization IVF. Quality control of collected egg and sperm	DZ series, UltraZoom
• marine biology	Study of organisms living in the ocean or seas as branch of biology	BioBlue.Lab, BlueScope, iScope, Achios-X Observer, NexiusZoom, DZ series, UltraZoom
• microbiology	Study of microscopic uni-, multi- or acellular small organisms such as protozoa, algae, bacteria and more. Identification and classification	Delphi-X Observer, Achios-X Observer, iScope, NexiusZoom, DZ series, UltraZoom
• mycology	Study of fungi as branch of biology. Identification and classification	BlueScope, BioBlue.Lab, bScope, iScope, Achios-X Observer, StereoBlue, NexiusZoom, DZ series, UltraZoom
• neuropathology	Study and diagnosis of diseases in nervous system tissue	Delphi-X Observer, Achios-X Observer, iScope, NexiusZoom, DZ series, UltraZoom
• oncology	Study and diagnosis, treatment and prevention of cancers	Delphi-X Observer, Achios-X Observer, iScope
• parasitology	Study of parasites, medical and veterinary	BlueScope, BioBlue.Lab, bScope, iScope, Achios-X Observer, StereoBlue, NexiusZoom, DZ series, UltraZoom
• pathology	Study and diagnosis of diseases	Delphi-X Observer, Achios-X Observer, iScope
• pharmaceutics	Development and production of drugs for medication. Quality assurance and inspection of produced products	iScope ***, StereoBlue, NexiusZoom, DZ series, UltraZoom
• phytopathology	Study and diagnosis of plant diseases	BlueScope, BioBlue.Lab, bScope, iScope, Achios-X Observer, StereoBlue, NexiusZoom, DZ series, UltraZoom, MacroZoom
• veterinary medicine	Prevention, diagnosis and treatment of diseases, injuries on animals	BlueScope, BioBlue.Lab, bScope, iScope, Achios-X Observer, Oxion Inverso, StereoBlue, NexiusZoom, DZ series, UltraZoom
• virology	Study and diagnosis of viruses and virus-such as agents	Delphi-X Observer, Achios-X Observer, BioBlue.Lab, iScope, bScope, BioBlue.Lab
• water treatment	Production of drinking water and wastewater treatment. Quality control and disease prevention	BlueScope, BioBlue.Lab, bScope, iScope, Achios-X Observer
• zoology	Animal biology. Study of invertebrates and vertebrates and related branches	BlueScope, BioBlue.Lab, bScope, iScope, Achios-X Observer, StereoBlue, NexiusZoom, DZ series, UltraZoom

** fluorescence models *** polarization models

INDUSTRY	FIELD OF APPLICATION	RECOMMENDED MODELS
• aerospace	Manufacturing and quality inspection of rockets and space vehicles related parts	Delphi-X Observer, Achios-X Observer, bScope large samples, iScope, NexiusZoom, DZ series, Z series
• agronomy & forestry	Selective breeding of plants, fruit and production of food from plants, wood from trees, fuel. Plant physiology and genetics research	bScope, bScope large samples, iScope, Achios-X Observer, StereoBlue, NexiusZoom, DZ series, UltraZoom, MacroZoom
• asbestos control	Research of asbestos fibers, environmental protection during restoration of older buildings	iScope, NexiusZoom, DZ series, UltraZoom, Z series
• automotive	Manufacturing and quality inspection of automotive related parts	Achios-X Observer, iScope, Achios-X Inverso, Oxion Inverso, NexiusZoom, DZ series, UltraZoom, Z series
• avionics	Manufacturing and quality inspection of aircraft related parts	Delphi-X Observer, Achios-X Observer, bScope large samples, iScope, NexiusZoom, DZ series, UltraZoom
• biochemistry	Study of chemical processes within living organism. Identification and classification of enzymes and structure of biomolecules	iScope, NexiusZoom, DZ series, UltraZoom
• chemistry	Study of the composition and properties of chemicals	Achios-X Observer, iScope
• cosmetics	Research, development and testing (safety) of substances for make-up or perfume	bScope, iScope, Achios-X Observer, NexiusZoom, DZ series, UltraZoom
• digital imaging	Observation and analysis of microscope images, save and captured the images and videos	CMEX cameras, CCD cameras, HD cameras, ProPad, MacroZoom
• electronics	Development, production, assembling and inspection of electronic components or circuitry	iScope, Achios-X Observer, NexiusZoom, DZ series, UltraZoom, Z series, BE-18 LED, MacroZoom
• environmental	Monitoring of environmental conditions such as water, atmosphere, ecosystems, soil and pollution	BioBlue.Lab, bScope, iScope, Achios-X Observer, StereoBlue, NexiusZoom, DZ series
• food and beverages	Quality and safety controls, before, during and after the production of food and beverages	BioBlue.Lab, bScope, iScope, Achios-X Observer
• forensics	Analysis of scientific evidence. Toxicology, fingerprints, Forensic anthropology and archeology, forensic botany and entomology	BioBlue.Lab, bScope, bScope large samples, iScope, Achios-X Observer, Oxion Inverso, Oxion Inverso, Achios-X Inverso, NexiusZoom, DZ series, UltraZoom, Z series
• geology, mineralogy	Earth science, studying the solid, rocks and processes. Identification and classification of rocks and minerals	Achios-X Observer, bScope large samples, iScope, Oxion Inverso, StereoBlue, NexiusZoom, DZ series, UltraZoom, MacroZoom
• geology, petrology	Identification by means of a petrographic microscope	iScope (polarization)
• glass industry	Quality control, before, during and after the production of glass and coatings	Achios-X Observer, iScope, Achios-X Inverso, Oxion Inverso, bScope, StereoBlue, NexiusZoom, DZ series, UltraZoom
• horticulture	Selective breeding of plants and fruit for production of food	BioBlue.Lab, bScope, iScope, Achios-X Observer, StereoBlue, NexiusZoom, DZ series, UltraZoom, MacroZoom

INDUSTRY	FIELD OF APPLICATION	RECOMMENDED MODELS
• jewelry	Precise manufacturing of very small decorative items such as brooches, rings, bracelets and more	BE-18 LED series, StereoBlue, NexiusZoom, DZ series, Z series
• mechanics	Manufacturing and quality inspection of mechanical parts	Achios-X Observer, iScope, Achios-X Inverso, Oxion Inverso, bScope, bScope large samples, StereoBlue, NexiusZoom, DZ series, UltraZoom, MacroZoom
• metallurgy	Manufacturing and quality inspection of metallic elements, intermetallic compounds and alloys	Achios-X Observer, iScope, Achios-X Inverso, Oxion Inverso, bScope, bScope large samples, StereoBlue, NexiusZoom, DZ series, UltraZoom, MacroZoom
• mining	Extraction of minerals Identification, quantitative and qualitative evaluation of minerals	iScope (polarization), Achios-X Inverso, Oxion Inverso, bScope, StereoBlue, NexiusZoom, DZ series, UltraZoom
• paper industry	Production of paper related products. Quality inspection	Achios-X Observer, iScope, bScope, StereoBlue, NexiusZoom, DZ series, UltraZoom, MacroZoom
• petrochemical	Research and transformation of crude oil and natural gas	Achios-X Observer, iScope, bScope, StereoBlue, NexiusZoom, DZ series, UltraZoom
• petrology	Study of the composition and structure of rocks as branch of geology. Identification by means of polarization microscopy	iScope (polarization), StereoBlue, NexiusZoom, DZ series, UltraZoom
• pharmaceuticals	Development and production of drugs for medication. Quality assurance and inspection of produced products	Achios-X Observer, iScope, StereoBlue, NexiusZoom, DZ series, UltraZoom
• plastics	Development and production of plastics and plastic based compounds. Quality assurance and inspection	Achios-X Observer, iScope, Achios-X Inverso, Oxion Inverso, bScope, StereoBlue, NexiusZoom, DZ series, UltraZoom
• printing industry	Production of relief printing, lithography	Achios-X Observer, iScope, bScope, AP series, StereoBlue, NexiusZoom, DZ series, UltraZoom, MacroZoom
• textile	Development and production of all kinds of textile based products. Quality assurance and inspection	Achios-X Observer, iScope, Achios-X Inverso, Oxion Inverso, AP series, StereoBlue, NexiusZoom, DZ series, UltraZoom, MacroZoom
• water treatment	Production of drinking water and wastewater treatment. Quality control and disease prevention	BioBlue.Lab, bScope, iScope, Achios-X Observer,
• wood production	Wood production for construction material, fuel. Quality control	Achios-X Observer, bScope large samples, iScope, Achios-X Inverso, Oxion Inverso, AP series, StereoBlue, NexiusZoom, DZ series, UltraZoom, MacroZoom

index

PRODUCT

	P	A	G	E
Abbe refractometer				405
Accessories for microscopy				360
Achios-X Inverso biological		122		
Achios-X Inverso digital		322	322	
Achios-X Inverso fluorescence		168		
Achios-X Inverso metallurgical			296	
Achios-X Observer biological		104		
Achios-X Observer digital		322	322	
Achios-X Observer fluorescence		158		
Achios-X Observer materials			280	
Adapter guide	358	358	358	
Advanced USB cameras		342	342	
Antoni van Leeuwenhoek (about)		81		
AP series	72			
APL (about)	57			
BE-18 Series			260	
BioBlue	20			
BioBlue digital	310	310		
BioBlue.Lab	28	90		
Biological microscopes	6	76		
BlueScope	32	78		
BlueScope digital	314	314		
bScope biological	36	82		
bScope digital	320	320		
bScope fluorescence		142		
bScope large samples			268	
bScope materials			264	
Camera resolution (how to match)	331	331	331	
Camera resolutions & limits (about)	313	313	313	
Cleaning optics (how to)	307	307	307	
CMEX Pro USB-3.0 cameras		342	342	
CMEX USB-2.0 cameras	340	340		

PRODUCT

	P	A	G	E
CMEX-WIFI camera	344	344	344	
Cold light sources				346
Cooled camera		345		
Delphi-X Inverso biological		128		
Delphi-X Inverso fluorescence		174		
Delphi-X Inverso materials			300	
Delphi-X Observer biological		112		
Delphi-X Observer digital		322	322	
Delphi-X Observer fluorescence		162		
Delphi-X Observer materials			284	
Differential interference contrast			291	
Digital MacroZoom	328	328	328	
Digital microscopes	306	306	306	
Digital refractometers				402
Digital solutions	304	304	304	
Disposables				392
Dissection instruments				370
Dissection kits				372
Dual colored LED (about)	35			
DZ series		214	248	
EcoBlue	14			
Ecoblue digital	308			
EduBlue	52			
EduBlue digital	316			
EduBlue LCD	318		318	
Field of view (about)	27			
Fluorescence (about)		173		
Fluorescence filter sets		188		
Fluorescence LED light sources		186		
Fluorescence microscopes		140		
Globe slides (for professional use)				386
Handheld magnifiers				396

PRODUCT

	P	A	G	E
Handheld refractometers				402
Handheld spectrosopes				408
High-definition cameras	346	346	346	
Hoffman modulation contrast			299	
How to keep the optics clean	337	337	337	
How to match camera resolution	331	331	331	
How to set up a stereo microscope	63	209	237	
Illumination solutions				362
ImageFocus software	352	352	352	
Inverted biological		122		
Inverted fluorescence		168		
Inverted materials			292	
iScope biological	42	94		
iScope digital		322	322	
iScope fluorescence		148		
iScope infectious diseases		154		
iScope materials			272	
LaboPad	350	350	350	
LED cold light sources				364
LED ringlight sources				366
LED light sources fluorescence		186		
Light sources				362
MacroZoom	326	326	326	
Magnifiers				396
Magnifiers (about)			259	
Malaria and TB (about)		157		
Measuring microscopes				396
MicroBlue	8			
MicroBlue digital	306			
Microscope basics (about)	13			
Microscope optics (about)		225		
NexiusZoom ESD			228	

PRODUCT

	P	A	G	E
NexiusZoom and -EVO	64	200	228	
NexiusZoom for gemology			238	
Objectives (about)	19			
Other products				394
Optical instruments				394
Oxion Inverso biological		134		
Oxion Inverso materials			292	
Oxion Inverso fluorescence		180		
Petrological microscopy (about)			295	
Polarimeters				406
Preparation accessories				370
Prepared slides				374
Prepared slides Individual				382
Professional slides				386
Refractometers				400
Ringlights				366
sCMEX USB-3.0 camera		343	343	
Slides (for professional use)				386
Software	352	352	352	
Spectrosopes				408
Stains				393
StereoBlue	58	196	244	
Stereo microscopes	76	194	227	
Stereo microscopes (about)			253	
Stereo microscope (how to set up)	63	209	237	
UltraZoom biological		210		
UltraZoom fluorescence		212		
UltraZoom metallurgical			242	
USB cameras	340	340	340	
WiFi camera	344	344	344	
Z series		220	254	



The Euromex Quality System is certified according to ISO 9001:2015, and ISO 13485:2016 for medical supplies. This supports our pursuit of continuous improvement and our on-going commitment to provide our world-wide customers assurance of product quality

DISCLAIMER

All information and materials contained in this catalog have been prepared solely for the purpose of providing general information about the products offered by Euromex Microscopen bv. The content of and all information published in this catalog are provided in good faith as a convenience to you and may be used for information purposes only and at all times in accordance with these terms of access

Euromex Microscopen bv does not warrant the completeness or accuracy of information obtained from its catalog and does not undertake to update or correct its content or the information and/or materials contained on it on a regular basis

Euromex Microscopen bv reserves the right to make improvements and/or changes to (including the removal of) the products described or referred to in the catalog and to delete and/or move any such information at any time and without notice

Euromex and Physix are registered trademarks of Euromex Microscopen bv
 bScope, iScope and Delphi-X Observer are registered trademarks of Euromex Microscopen bv
 © 2026 Copyright Euromex Microscopen bv

EUROMEX HEADQUARTERS

Euromex Microscopen bv
 Typograaf 8 • 6921 VB Duiven • The Netherlands
 +31 (0) 26 323 22 11 • info@euromex.com

SALES OFFICE WORLD WIDE

Euromex Microscopen Spain, S.L
 Carretera de Barcelona 88, Entresuelo
 Esc. B - Local 9 • 08302 Mataró, Spain
 +34 (0) 937 415 609 • info@euromex.com

SALES OFFICE NORTH AMERICA

Globe Scientific
 400 Corporate Drive • Mahwah, NJ 07430 • USA
 1 201-599-1400 • usa@euromex.com

www.euromex.com

Icons

