



CATALOG
2026

education
life science
industry



contents

euromex MICROSCOPE COLLECTION 2026



EDUCATION biological microscopes	1
EDUCATION stereo microscopes	2
LIFE SCIENCE biological microscopes	3
LIFE SCIENCE fluorescence microscopes	4
LIFE SCIENCE stereo microscopes	5
INDUSTRY stereo microscopes	6
INDUSTRY materials science microscopes	7
DIGITAL SOLUTIONS all sectors	8
ACCESSORIES for microscopy	9
OTHER OPTICAL PRODUCTS magnifiers instruments	10

1

EDUCATION | BIOLOGICAL MICROSCOPES

MicroBlue • EcoBlue • BioBlue
BioBlue.Lab • BlueScope • bScope • iScope

2

EDUCATION | STEREO MICROSCOPES

EduBlue • StereoBlue
NexiusZoom • AP series

3

LIFE SCIENCE | BIOLOGICAL MICROSCOPES

BlueScope • bScope • BioBlue.Lab • iScope • Achios-X Observer
Delphi-X Observer • Delphi-X Inverso • Oxion Inverso

4

LIFE SCIENCE | FLUORESCENCE MICROSCOPES

bScope • iScope • Achios-X Observer • Delphi-X Observer • Achios-X Inverso
Delphi-X Inverso • Oxion Inverso • fluorescence LED light sources • fluorescence filter sets

5

LIFE SCIENCE | STEREO MICROSCOPES

StereoBlue • NexiusZoom (EVO)
UltraZoom • DZ series • Z series

6

INDUSTRY | STEREO MICROSCOPES

NexiusZoom, -EVO and -ESD • NexiusZoom for gemology
UltraZoom • StereoBlue • DZ series • Z series • BE-18 series

7

INDUSTRY | MATERIALS SCIENCE MICROSCOPES

bScope • bScope large samples • iScope • Achios-X Observer
Delphi-X Observer • Oxion Inverso • Achios-X Inverso • Delphi-X Inverso

8

DIGITAL SOLUTIONS

digital microscopes • MacroZooms • USB cameras • WiFi camera
cooled cameras • HD cameras • tablet cameras • software • adapters

9

ACCESSORIES | FOR MICROSCOPY

illumination solutions • preparation accessories • dissection kits
microscope prepared slides • Globe professional microscope slides • disposables • stains

10

OTHER OPTICAL PRODUCTS

magnifiers & measuring microscopes
refractometers • polarimeters • spectroscopes

Euromex Microscopes is a leading manufacturer of microscopes and other optical instruments. Founded in 1966, Euromex has become a world-class supplier of biological, stereo and metallurgical microscopes

The corporate office is based in Duiven, the Netherlands. A facility with a logistics warehouse, an opto-mechanical workshop, an R&D department and a high-level quality control department

Around the world, Euromex operates in more than 120 countries through distributors, resellers and agents. A wide variety of customers such as schools and educational institutes, clinical and research laboratories and a broad range of industrial customers are using Euromex microscopes

Explore Euromex's extensive product range in this comprehensive 2026 grand catalog or visit us online at www.euromex.com

Physix Photonics is an affiliated company of Euromex Microscopes and specializes in the

production of optical components and optical assemblies. The offering varies from custom plan and curved optics to uniquely shaped optical elements, provided with optical coatings, covering wavelengths from deep ultraviolet (DUV) to infrared (IR). Euromex draws on the extensive expertise of Physix engineers to meet the stringent requirements for optical components used in microscopy manufacturing. For comprehensive details about Physix Photonics, please visit www.physix.com

Euromex Microscopes and Physix Photonics are both subsidiaries of **GSI Group Holdings**, a collection of leading brands serving the biotech, clinical diagnostics, life sciences, education and industrial sectors with a broad array of mission-critical laboratory-related consumable supplies, benchtop equipment and related accessories. GSI Group Holdings is headquartered in Irvine, California, USA. For more details about the brands and activities of the companies under GSI Group Holdings, please visit www.gsigroupholdings.com



euromex.academy



View the product videos on YouTube

Visit our academy for video tutorials and manuals

choose the right
microscope



microscope selector

We created a guide to help you find the right microscope for your specific application. A list of recommended models for most common applications in education, life science and industry can simplify your choice

At the end of the catalog you will also find an index page, listing the products featuring in this catalog alphabetically

SEE PAGE 410

SEE PAGE 418

education

biological microscopes

BlueScope

FEATURED



BlueScope

Discover the new BlueScope microscopes
on page 32

biological microscopes



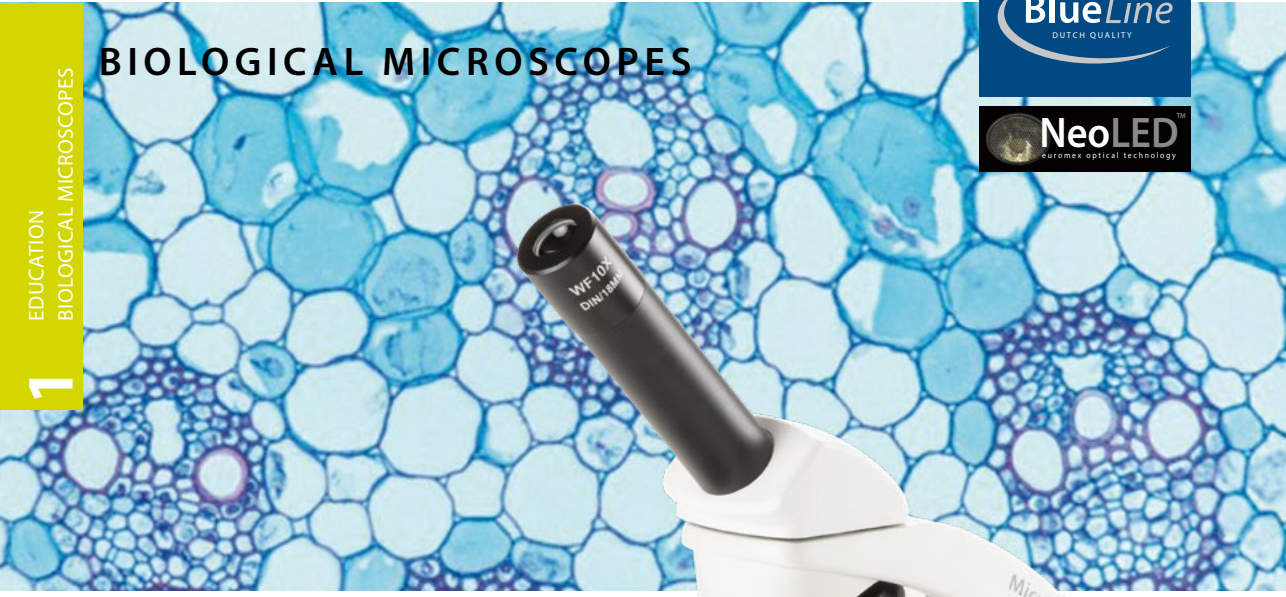
product information

The Euromex biological BlueLine educational product range is the result of many years of experience and the extensive knowledge of our optical engineers. Input from practice teachers, professors and students in combination with the high-level design and manufacturing capabilities of Euromex have resulted in these high quality instruments

The outstanding optical performance of the ergonomic Euromex BlueLine microscopes enables long productive working sessions for initiation, intermediate and advanced science teaching classes

- MICROBLUE • 8
- ECOBUE • 14
- BIOBLUE • 20
- BIOBLUE.LAB • 28
- BLUESCOPE • 32
- BSCOPE • 36
- ISCOPE • 42

BIOLOGICAL MICROSCOPES



MicroBlue

The modern MicroBlue is an entry-level microscope, especially appreciated when budgets are limited. The basic model comes with a fixed lens condenser and a plain stage

All models with an integrated mechanical X-Y stage are supplied with an Abbe condenser. All models are equipped with 35 mm achromatic objectives. The supplied rechargeable AA batteries enable cordless operation



● Monocular model MB.1051



Mono	Bino	Trino	360°	Transmitted	Dual LED	NeoLED	Abbe
APL	Digital	LCD	USB-2.0	USB-C	Battery	Anti-theft	5 Years Warranty

MONOCULAR MB.1001
298 (h) x 151 (w) x 202 mm (d) | 2.0 kg
MONO, MECHANICAL STAGE MB.1151
298 (h) x 151 (w) x 202 mm (d) | 2.2 kg
BINO, MECHANICAL STAGE MB.1152
298 (h) x 151 (w) x 202 mm (d) | 2.8 kg



● Binocular model MB.1152

SPECIFICATIONS

EYEPIECE(S)

Wide field WF 10x/18 mm secured eyepiece with pointer. The eyepieces of the binocular models are supplied without pointer

HEAD

Monocular models have a 45° inclined tube. Binocular and trinocular models have 45° inclined tubes, adjustable interpupillary distance between 48 and 75 mm and a ± 5 diopter adjustment on the left tube. All heads are 360° rotatable. Models with an integrated USB-2.0 camera are supplied with a 1.3 MP 1/2.5" CMOS sensor with 1772 x 952 pixels or a 5.0 MP 1/2.8" CMOS sensor with 2560 x 1920 pixel resolution. The trinocular head has a fixed light path beam

HIGHLIGHTS

- Entry-level microscopes
- New back panel with smart storage solutions
- Dual illumination system: white & halogen colored (Neo)LED
- Universal USB-C 5V Power
- Mono, bino, trino and digital models
- Revolving reversed nosepiece
- Integrated mechanical X-Y stage
- LED and NeoLED™ illumination
- Cordless operation (except for the LCD models)
- Ergonomic carrying grip
- 5 Years warranty

splitter (50:50) and generates an erect image.

The MicroBlue can also be equipped with an LCD screen

NOSEPIECE

Revolving nosepiece for three or four reversed objectives on ball bearings

OBJECTIVES 35 MM PARFOCAL

Achromatic 4x/0.10, 10x/0.25 and S40x/0.65. Models with S60X or S100x oil immersion are also available
The S40x, S60x and S100x oil immersion objectives are spring loaded. All optics are anti-fungus treated and anti-reflection coated for maximum light throughput

See chapter 8

● Monocular head	● Binocular head	● Trinocular head	● Digital mono head	● Digital LCD head
------------------	------------------	-------------------	---------------------	--------------------

FOCUSING

Coaxial coarse and fine adjustments, 200 graduations, 15 µm per graduation, 3 mm per rotation, total travel range is approximately 15 mm. Supplied with an adjustable rack stop to prevent damage to sample and objectives

STAGE

All models are supplied with a 115 x 100 mm stage with integrated 55 x 20 mm mechanical X-Y stage, except for the basic model MB.1001(-LCD), which is supplied with a 105 x 105 mm stage and two non-removable clamps

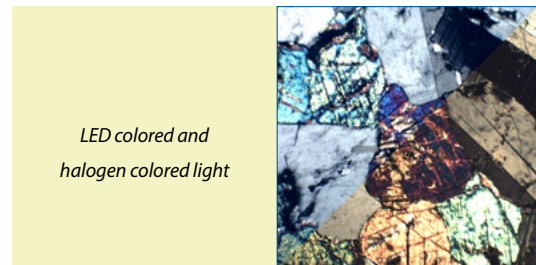
CONDENSER

Height adjustable Abbe condenser N.A. 1.25 with iris diaphragm and filter holder, except for the MB.1001(-LCD) model, which is equipped with a single N.A. 0.65 condenser with built-in iris diaphragm

DUAL ILLUMINATION SYSTEM

- 1 W white (Neo)LED™: 6000 – 6500 K, ideal for standard observations with crisp, cool lighting
- 1 W halogen colored (Neo)LED™: 3000 – 3200 K, enhances contrast for specific applications such as transparent objects

All MicroBlue microscopes are supplied with rechargeable AA batteries for cordless operation and with an external 5V DC power adapter



LED colored and halogen colored light

CAMERA AND SOFTWARE*

Models with an integrated 5.0 MP camera are compatible with ImageFocus Plus software and with an integrated 1.3 MP CMOS USB-2.0 camera are compatible with ImageFocus 4. Besides capturing images and videos, this software allows measurements on still and live images and annotations on captured images. Compatible with Windows 10 and higher, both 32 and 64 bits configurations

LCD SCREEN

All the MicroBlue LCD microscopes are equipped with a 7" LCD screen. Images can be saved directly to a micro SD card in JPEG format. Screen resolution 1920 x 1080 @ 30 fps, image resolution up to 1844 x 1080 pixels. Videos can be shot in AVI format, resolution 1280 x 720. Basic measurement function (line) with calibration

ANTI-THEFT SLOT

At the back of the microscope a Kensington Security slot is placed, which can be used to secure the instrument from theft

PACKAGE CONTENT

Supplied with 100-240 Vac / 5 Vdc USB power adapter, USB-2 cable (except for the LCD models, which are supplied with an extra mains adapter), three rechargeable AA batteries, dust cover, user manual and 5 ml immersion oil for models with an S100x oil objective. Including a white filter. All packed in a polystyrene box



See chapter 8

MODELS	Mono	Bino	Trino	Digital mono	Digital LCD	Maximum objectives	4/10/S40x objectives	S60x objective	S100x oil objective	Mechanical X-Ystage	Dual color LED	Dual color NeoLED™	Batteries
MB.1001	•					3	•				•		•
MB.1051	•					4	•			•	•		•
MB.1651	•					4	•	•		•	•		•
MB.1151	•					4	•		•	•	•		•
MB.1052		•				4	•			•		•	•
MB.1652		•				4	•	•		•		•	•
MB.1152		•				4	•		•	•		•	•
MB.1053			•			4	•			•		•	•
MB.1153			•			4	•		•	•		•	•
MB.1001-LCD					•	3	•				•		•
MB.1051-LCD					•	4	•			•	•		•
MB.1055-5 ⁽²⁾				•		4	•			•		•	•
MB.1655-1 ⁽¹⁾				•		4	•	•		•		•	•
MB.1655-5 ⁽²⁾				•		4	•	•		•		•	•
MB.1155-1 ⁽¹⁾				•		4	•		•	•		•	•
MB.1155-5 ⁽²⁾				•		4	•		•	•		•	•

⁽¹⁾ MB.xxxx-1 = model with an integrated 1.3 MP CMOS USB-2.0 camera

⁽²⁾ MB.xxxx-5 = model with an integrated 5.0 MP CMOS USB-2.0 camera

NEW BACK PANEL – ORGANIZED & EFFICIENT

The MicroBlue now features a revolutionary new back panel with smart storage solutions:

1. 5-slide specimen holder
2. Dual tool holders
3. Built-in power supply storage
4. Storage for immersion oil
5. Dual illumination switch
6. Integrated cable roll-up system
7. USB-C power input

(shown on a BioBlue)



ACCESSORIES AND SPARE PARTS

EYEPIECES

Ø 23.2 mm tube

- AE.5571** Wide field eyepiece WF 5x/18 mm
- MB.6010** Wide field WF 10x/18 mm eyepiece with pointer
- MB.6010-P** Wide field 10x/18 mm eyepiece with pointer
- MB.6010-M** Wide field 10x/18 mm eyepiece with micrometer scale
- MB.6015** Wide field WF 15x/11 mm eyepiece
- MB.6020** Wide field WF 20x/9 mm eyepiece
- MB.6099** Pair of eyecups

OBJECTIVES

Achromatic, 35 mm parfocal

- MB.7004** 4x/0.10 objective
- MB.7010** 10x/0.25 objective
- MB.7020** 20x/0.40 objective
- MB.7040** S40x/0.65 objective
- MB.7060** S60x/0.85 objective
- MB.7000** S100x oil/1.25 objective

CAMERA ACCESSORIES

- AE.5130** Universal SLR adapter with built-in 2x lens for standard 23.2 mm tube. Needs T2 adapter
- AE.5025** T2 adapter for Nikon D SLR digital camera
- AE.5040** T2 adapter for Canon EOS SLR digital camera

MISCELLANEOUS

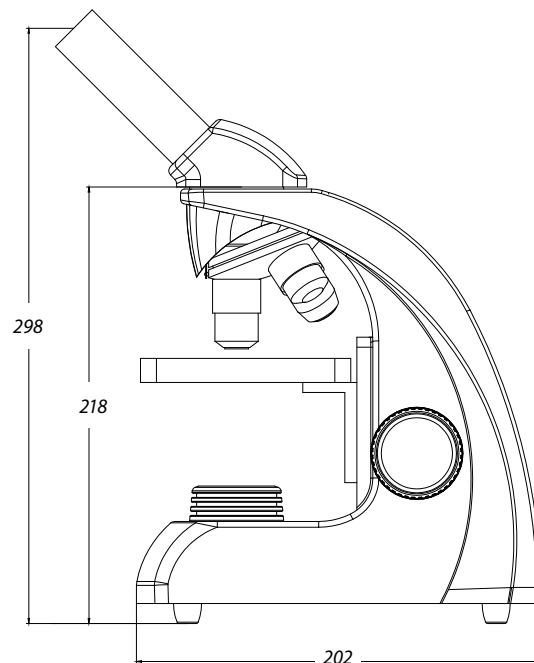
- MB.9710** Frosted filter
- MB.9975** External mains adapter-charger
100-240 Vac/5 Vdc (50/60 Hz)
- MB.9981** 1 W LED replacement unit
- MB.9991** 1 W NeoLED™ replacement unit
- MB.9900** Aluminum transport case

DISPOSABLES

- PB.5155** Microscope slides 76 x 26 mm, ground edges, 50 pieces per pack
- PB.5157-W** Microscope slides 76 x 26 mm, ground edges. White frosted side, 50 pieces per pack
- PB.5157-B** Microscope slides 76 x 26 mm, ground edges. Blue frosted side, 50 pieces per pack

- PB.5160** Microscope slides 76 x 26 mm with cavity, ground edges. 10 pieces per pack
- PB.5165** Cover glasses 18 x 18 mm, thickness 0.13-0.17 mm, 100 pieces
- PB.5168** Cover glasses 22 x 22 mm, thickness 0.13-0.17 mm, 100 pieces
- PB.5245** Lens cleaning paper, 100 sheets per pack
- PB.5255** Immersion oil, n = 1.515 (25 ml)
- PB.5274** Isopropyl alcohol 99% (200 ml)
- PB.5275** Cleaning kit: lens cleaning fluid, lint free lens tissue, brush, air blower, cotton swabs
- PB.5276** Microscope maintenance and servicing kit, 16 pieces: cleaning brush, screwdriver set of 6, air blower, 3 Allen keys, 1.5, 2, 2.5 mm, lens cleaning fluid 20 ml, cleaning cloth 140 x 140 mm, 100 lens tissue sheets, tube of maintenance grease, 10 ml bottle of oil, packed in a nice toolbox

DIMENSIONS



about microscope basics

A compound microscope consists of a group of lenses (called objective) which focuses a real image of the object inside the microscope. A second group of lenses (called eyepiece) magnifies this image and projects it on the retina of the eye. This compound optical system (objective - eyepiece) together with other mechanical components are the basics of a modern microscope

HEAD

The 30° inclined trinocular viewing head is equipped with a 23.2 mm photo port. The Siedentopf head corrects interpupillary distances to the users preference. A beam splitter inside the head divides the light between the eyepieces and the camera with diopter settings

THE NOSEPIECE

A rotatable metal turret holding four microscope objectives for precise switching of magnifications. The revolver is mounted reversed for more workspace

STAGE

Move the specimen slide in the X or Y direction. Low positioned stage controls prevent fatigue

COARSE AND FINE FOCUSING SYSTEM

The full metal mechanical system moves the specimen in focus. With rack stop to prevent damage to prepared microscopy slides and objectives

MICROSCOPE BASE AND ARM

A large base guarantees the necessary stability of the microscope. The arm includes an integrated carrying grip for easy and safe transportation

CORDED AND CORDLESS USE

The supplied rechargeable AA batteries enable the microscope to be used both corded and cordless

DIGITAL MICROSCOPY

Modern microscopy uses CMOS, CCD or HD cameras for digital output to computer or HDMI displays. Users can use ImageFocus analysis software to capture, edit, analyze and share microscopy images

TRINOCULAR TUBE

The trinocular tube connects cameras used for digital microscopy

EYEPIECES

The WF 10x/18 mm are Wide Field eyepieces with 10x magnification and 18 mm field number

OBJECTIVES

Microscope objectives are crucial for determining magnification and resolution of the image. International standards are used during production. Typical objective magnifications are 4x/10x/40x/100x

CONDENSER

The 1.25 NA condenser's diaphragm maximizes the resolution of the optical system and also allows adjustment of contrast. Color or density filters can be placed in the filter holder

COLLECTOR LENS SYSTEM AND NEOLED™ LIGHT SOURCE

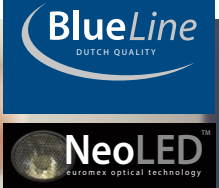
This lens system maximizes light output. The innovative NeoLED™ design increases the light output even more, while less energy is required. The total system enables higher resolutions, very close to the theoretical diffraction limit of the optics



TECHNICAL FACTS

EDUCATION BIOLOGICAL MICROSCOPES

1



BIOLOGICAL MICROSCOPES



EcoBlue

The modern microscopes of the EcoBlue series are especially developed for educational purposes with primary focus on ergonomics and excellent price/quality ratio. These microscopes are supplied with secured eyepieces and adjustable rack stop to prevent damage to sample and objectives



Mono	Bino	Trino	360°
Transmitted	Polarized	Dual LED	NeoLED
Abbe	APL	Digital	USB-2.0
Battery	100-240V	Anti-theft	5 Years Warranty



MONOCULAR MODEL EC.1001
355 (h) x 170 (w) x 220 (d) | 2.48 kg
BINOCULAR MODEL EC.1152
360 (h) x 170 (w) x 214 (d) | 2.95 kg
POLARIZATION MODEL EC.1001-P-DLED
360 (h) x 170 (w) x 214 (h) | 3.35 kg



HIGHLIGHTS

- Monocular, binocular and trinocular models with WF 10x/18 mm eyepiece(s)
- Models with integrated 5 MP CMOS camera
- Models for polarization applications
- Reversed revolving nosepiece for four objectives
- Coaxial coarse and fine adjustments with rack stop
- Height adjustable color coded Abbe condenser with iris diaphragm and filter holder
- Dual illumination system: white & halogen colored (NeoLED™)
- Cordless operation with rechargeable AA batteries with universal USB-C 5 Vdc charging port
- Multiplug 100-240 Vac / 5 Vdc adapter
- Ergonomic stand
- 5 Years warranty

SPECIFICATIONS

EYEPIECE(S)

Wide field WF 10x/18 mm eyepiece with pointer. The eyepieces of the binocular and trinocular models are supplied without pointer

HEAD

Monocular models with 45° inclined tubes. Binocular and trinocular models have 30° inclined tubes. The interpupillary distance is adjustable between 48 and 75 mm. All binocular and trinocular models have a ± 5 diopter adjustment on the left tube. All heads are 360° rotatable. Models with an integrated USB-2.0 camera are supplied with a 5.0 MP 1/2.8" CMOS sensor with a resolution of 2560 x 1920 pixels. The trinocular head has a fixed light path beam splitter (50:50) and generates an erect image. The EcoBlue can also be supplied with a discussion head

NOSEPIECE

Reversed revolving nosepiece for four objectives on ball bearings. Models for polarization are supplied with swing-out analyzer



● EC.1101-P-DLED

OBJECTIVES - 45 MM PARFOCAL

Achromatic 4x/0.10, 10x/0.25, S40x/0.65 and S100x oil/1.25 objectives. The S40x, S60x and S100x oil immersion objectives are spring loaded. The HLED-S models for polarization are equipped with semi-plan objectives
All optics are anti-fungus treated and anti-reflection coated for maximum light throughput

FOCUSING

Coaxial coarse and fine adjustments, 200 graduations, 12.5 µm per graduation, 2.5 mm per rotation, total travel range is approximately 15 mm. Supplied with an adjustable rack stop to prevent damage to sample and objectives

STAGE

Plain 123 x 119 mm stage with two non-removable object clamps (optional EC.9500, attachable 51 x 26 mm mechanical X-Y stage available). Plain 123 x 128 mm stage with integrated 70 x 27 mm mechanical X-Y stage. The models for polarization are supplied with 129 mm circular stage, 360° rotatable, two object clamps and swing-out analyzer mounted on the lamp house

CONDENSER

Height adjustable color coded Abbe condenser N.A. 1.25 with iris diaphragm and filter holder. The models for polarization have a rack & pinion adjustment, all other models carry a helicoidal adjustment

DUAL ILLUMINATION SYSTEM

- 1 W white (Neo)LED™: 6000 – 6500 K, ideal for standard observations with crisp, cool lighting
- 1 W halogen colored (Neo)LED™: 3000 – 3200 K, enhances contrast for specific applications such as transparent objects

All models are supplied with three rechargeable AA batteries for cordless operation. Equipped with a universal USB-C 5 Vdc charging port and 100-240 Vac / 5 Vdc multiplug adapter

CAMERA AND SOFTWARE

Models with integrated 5 MP CMOS USB-2.0 camera are supplied with the ImageFocus Plus capture and measurement software. Besides capturing images and videos, this software allows measurements on still and live images and annotations on captured images. Compatible with Windows 10 and higher, both 32 and 64 bits configurations. See chapter 8 for more information

ANTI-THEFT SLOT

At the back of the microscope a Kensington Security slot is placed, which can be used to secure the instrument from theft

PACKAGE CONTENT

Supplied with three rechargeable AA batteries, a 100-240 Vac / 5 Vdc USB-C multiplug adapter, white filter, dust cover, spare fuse, user manual. A 5 ml immersion oil for models with an S100x oil objective. All packed in a polystyrene box

ACCESSORIES AND SPARE PARTS

EYEPIECES

Ø 23.2 mm tube

- AE.5571** Wide field eyepiece WF 5x/18 mm
- EC.6010** WF 10x/18 mm eyepiece
- EC.6010-P** WF 10x/18 mm eyepiece with pointer
- EC.6010-C** WF 10x/18 mm eyepiece with crosshairs
- EC.6015** WF 15x/12 mm eyepiece
- EC.6110** WF 10x/18 mm eyepiece with micrometer 10/100
- EC.6099** Pair of eyecups

OBJECTIVES

Achromatic, 45 mm parfocal

- EC.7004** 4x/0.10 objective. WD 37.5 mm
- EC.7010** 10x/0.25 objective. WD 6.8 mm
- EC.7020** 20x/0.40 objective. WD 2.0 mm
- EC.7040** S40x/0.65 objective. WD 0.6 mm
- EC.7060** S60x/0.85 objective. WD 0.185 mm
- EC.7000** S100x/1.25 oil immersion objective. WD 0.195 mm

MISCELLANEOUS

- EC.9500** Attachable mechanical X-Y stage, translation range 51 x 26 mm, with double Vernier and separate horizontal adjustments knobs
- EC.9710** Frosted white filter
- EC.9981-DL** 1 W Dual Color LED replacement unit*
- EC.9991-DL** 1 W Dual Color NeoLED™ replacement unit *
- EC.9975-DL** External 100-240 Vac (50/60 Hz)/ 5 Vdc USB-C multiplug adapter*
- AE.5511** Discussion head without eyepieces. Delivered with two eyepieces when the head is ordered mounted on microscope
- AE.9918** Nylon microscope bag, 26 x 18 x 40 cm

WF = wide field

WD = working distance

* Not compatible with EcoBlue revision 1 models

See chapter 8

MODELS	Mono	Bino	Trino	Digital	4/10/40x objectives	S60x objective	S100x objective	Mechanical X-Y stage ⁽¹⁾	Dual color LED	Dual color NeoLED™	Polarization ⁽²⁾
EC.1001	•				•				•		
EC.1101	•				•		•		•		
EC.1601	•				•	•			•		
EC.1005	•			•	•				•		
EC.1105	•			•	•		•		•		
EC.1607		•		•	•	•				•	
EC.1051	•				•			•	•		
EC.1151	•				•		•	•	•		
EC.1651	•				•	•		•	•		
EC.1152		•			•		•	•		•	
EC.1652		•			•	•		•		•	
EC.1053			•		•		•	•		•	
EC.1055	•			•	•			•	•		
EC.1155	•			•	•		•	•	•		
EC.1157		•		•	•	•		•		•	
EC.1657		•		•	•	•		•		•	
EC.1001-P-DLED	•				•				•		•
EC.1601-P-DLED	•				•	•			•		•
EC.1101-P-DLED	•				•		•		•		•
EC.1002-P-DLED		•			•					•	•
EC.1602-P-DLED		•			•	•				•	•
EC.1102-P-DLED		•			•		•			•	•
EC.1003-P-DLED			•		•					•	•
EC.1603-P-DLED			•		•	•				•	•
EC.1103-P-DLED			•		•		•			•	•

⁽¹⁾ Integrated mechanical X-Y stage with 70 x 27 mm X-Y travel range

⁽²⁾ Polarization models are supplied with a 129 mm round stage and semi-plan objectives and HLED illumination (similar light spectrum as halogen)

POLARIZATION ATTACHMENTS

- AE.5152** Simple polarization attachment. Analyzer mounted over eyepiece (rotatable) and polarizer Ø 32 mm in filter holder

CAMERA ACCESSORIES

- AE.5130** Universal SLR camera adapter with 2x projection lens for 23.2 mm tubes. Needs T2 adapter
 - AE.5025** T2 adapter for Nikon D digital SLR cameras
 - AE.5040** T2 adapter for Canon EOS digital SLR cameras
- Other T2 adapters on request



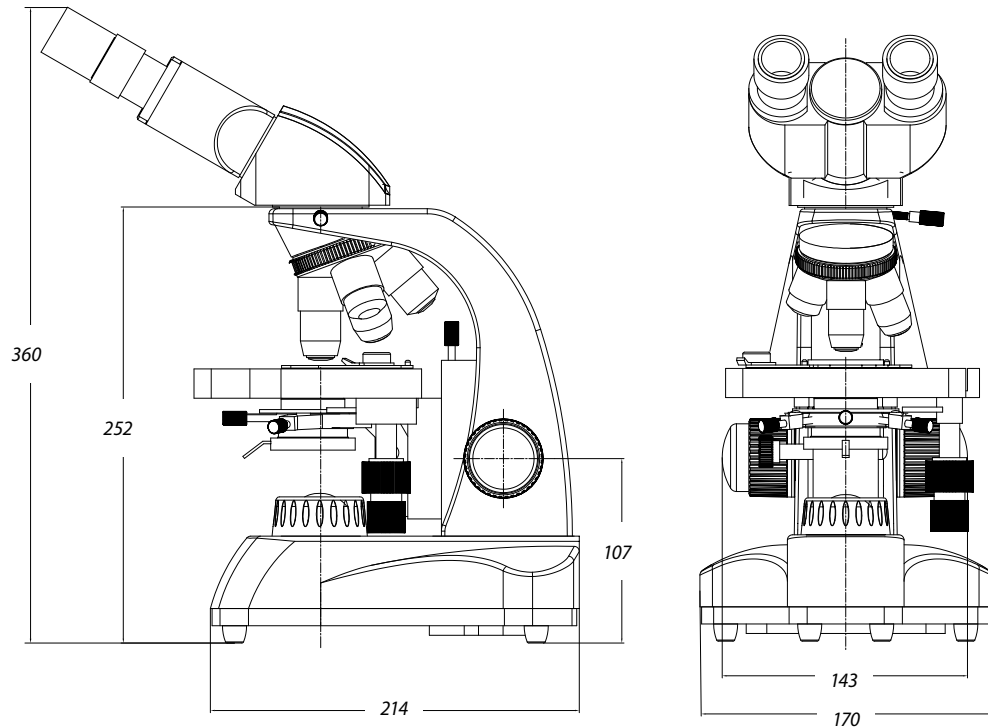
● EC.1152

DISPOSABLES

- PB.5155** Microscope slides 76 x 26 mm, ground edges, 50 pieces per pack
- PB.5157-W** Microscope slides 76 x 26 mm, ground edges. White frosted side, 50 pieces per pack
- PB.5157-B** Microscope slides 76 x 26 mm, ground edges. Blue frosted side, 50 pieces per pack
- PB.5160** Microscope slides 76 x 26 mm with cavity, ground edges. 10 pieces per pack
- PB.5165** Cover glasses 18 x 18 mm, thickness 0.13-0.17 mm, 100 pieces
- PB.5168** Cover glasses 22 x 22 mm, thickness 0.13-0.17 mm, 100 pieces
- PB.5245** Lens cleaning paper, 100 sheets per pack
- PB.5255** Immersion oil, n = 1.515 (25 ml)
- PB.5274** Isopropyl alcohol 99% (200 ml)
- PB.5275** Cleaning kit: lens cleaning fluid, lint free lens tissue, brush, air blower, cotton swabs
- PB.5276** Microscope maintenance and servicing kit, 16 pieces: cleaning brush, screwdriver set of 6, air blower, 3 Allen keys, 1.5, 2, 2.5 mm, lens cleaning fluid 20 ml, cleaning cloth 140 x 140 mm, 100 lens tissue sheets, tube of maintenance grease, 10 ml bottle of oil, packed in a nice toolbox



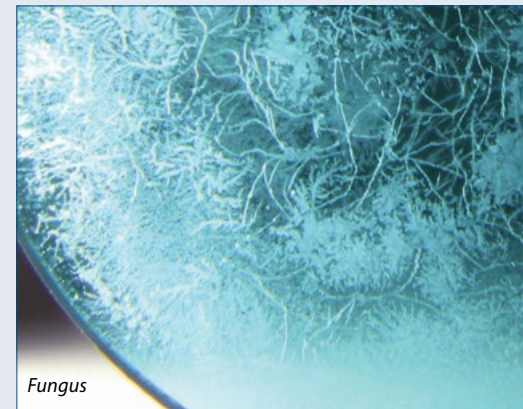
DIMENSIONS



about objectives

Most common microscope objectives come in different types:

- Achromatic objectives** Usually contain one or a pair of lenses and correct for color and have a good flat field. If there are aberrations they occur in the outer area of the image
- Semi plan objectives** Contain one or more (achromatic) lens elements and have an extended flat field. Semi plan objectives have an improved resolution
- Plan objectives** Correct even better for color and spherical aberration than semi plan objectives. Plan objectives have an excellent flat field and are recommended in conjunction with a camera
- Apochromatic objectives** Designed for color and spherical aberration correction on a minimum of three wavelengths. These objectives offer the best flat field correction



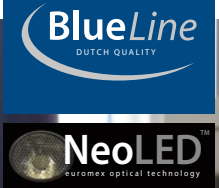
Fungus

ANTI-FUNGUS TREATED

Fungus spores are parasitic, travel in the air and can settle inside lenses. High temperatures, humidity and environments that are dark and unventilated encourage fungus growth

The optical components are anti-fungus treated. Nevertheless it is best to minimize the possibility of fungus by storing the microscopes in well-ventilated rooms with moderate temperatures and low humidity

BIOLOGICAL MICROSCOPES



BioBlue

The modern microscopes of the BioBlue series are especially developed for educational purposes with primary focus on ergonomics and today's quality standards. These microscopes are supplied with secured eyepieces and adjustable rack stop to prevent damage to sample and objectives





● BB.4240

BB.4200 MONOCULAR
320 (h) x 176 (w) x 227 mm (d) | 3.0 kg
BB.4260 BINOCULAR
360 (h) x 176 (w) x 227 mm (d) | 4.0 kg
BB.4200-P-DLED POLARIZATION
360 (h) x 176 (w) x 227 mm (d) | 4.4 kg



● Smart storage solutions

HIGHLIGHTS

- Mono, bino and trinocular models
- BioBlue EVO models with WF 10x/20 mm eyepieces and Köhler NeoLED™ illumination
- Models with integrated 5.0 MP CMOS camera with a 7" LCD screen or a tablet
- Cordless operation with rechargeable AA batteries
- Universal USB-C 5 Vdc charging port
- Multiplug 100-240 Vac / 5 Vdc adapter
- Back panel with smart storage solutions
- Height adjustable color coded Abbe condenser with iris diaphragm and filter holder
- Quick focus aid
- Reversed nosepiece for four Semi Plan objectives
- Integrated mechanical X-Y stage
- Dual illumination: white & halogen colored 1 W LED
- Warranty 10 Years

SPECIFICATIONS

EYEPIECE(S)

Wide field WF 10x/18 mm secured eyepieces with pointer for monocular models. The eyepieces of the binocular and trinocular models are supplied without pointer. The BioBlue EVO models are supplied with WF 10x/20 mm eyepieces

HEADS

Monocular models with 45° inclined tubes. Binocular and trinocular models have 30° inclined tubes, interpupillary distance is adjustable between 48 and 75 mm and equipped with a ± 5 diopter adjustment on the left tube. All heads are 360° rotatable and secured with a screw. The BioBlue microscope can also be supplied with a discussion head. The trinocular head has a fixed light path beam splitter (50:50) and generates an erect image. Models with an integrated USB-2.0 camera are supplied with a 5.0 MP 1/2.8" CMOS sensor with a resolution of 2560 x 1920 pixel

NOSEPIECE

Reversed quadruple nosepiece on ball bearings. Models for polarization are supplied with a swing-out analyzer

See chapter 8	
See chapter 8	
See chapter 8	

OBJECTIVES - 45 MM PARFOCAL

All models are supplied with semi plan 4x/0.10, 10x/0.25 and S40x/0.65 objectives. Models with an S60x/0.85 or S100x/1.25 oil immersion objective are also available. The S40x, S60x and S100x oil immersion objectives are spring loaded

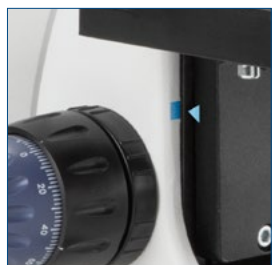
All optics are anti-fungus treated and anti-reflection coated for maximum light throughput

FOCUSING

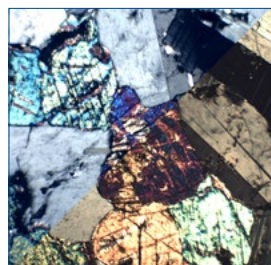
Coaxial coarse and fine adjustments with 200 graduations. Precision 2 µm per graduation, 0.4 mm per rotation. Total travel range is approximately 23 mm. Supplied with an adjustable rack stop to prevent damage to sample and objectives. The coarse adjustments are equipped with friction control. The BioBlue is equipped with a quick focus aid

STAGE

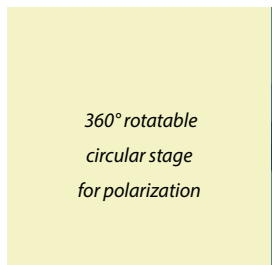
130 x 130 mm with mechanical 70 x 28 mm X-Y translation stage except for models BB.4200 and BB.4205. These models have a 120 x 120 mm plain stage supplied with two non-removable object clamps. The models for polarization are supplied with 129 mm circular stage, 360° rotatable and two object clamps



Quick focus aid



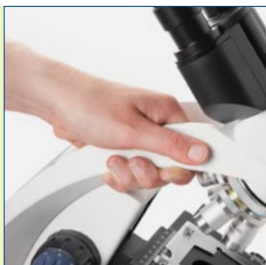
White colored and halogen colored light



360° rotatable circular stage for polarization



The ergonomic carrying grip enables easy transportation



POLARIZATION EQUIPMENT

The swing-out analyzer is mounted in a slider under the head. The rotatable 360° polarizer fits on the collector lamp

CONDENSER

Height adjustable Abbe condenser N.A. 1.25 with iris diaphragm and filter holder

DUAL ILLUMINATION SYSTEM

- 1 W white (Neo)LED™: 6000 – 6500 K, ideal for standard observations with crisp, cool lighting
- 1 W halogen colored (Neo)LED™: 3000 – 3200 K, enhances contrast for specific applications such as transparent objects

The polarization models are also supplied with the double LED illumination for correct color rendering (very similar to the halogen light spectrum)

The EVO models are equipped with Köhler NeoLED™ illumination

NEOLED™ ILLUMINATION



Binocular and trinocular models are supplied with an adjustable NeoLED™ illumination system for increased light output

CAMERA AND SOFTWARE

Models with an integrated 5 MP CMOS USB-2.0 camera are supplied with the ImageFocus Plus software. Besides capturing images and videos, this software also allows measurements on still and live images and annotations on captured images. Compatible with Windows 10 and higher, both 32 and 64 bits configurations

ANTI-THEFT SLOT

At the back of the microscope a Kensington Security slot is placed, which can be used to secure the instrument from theft

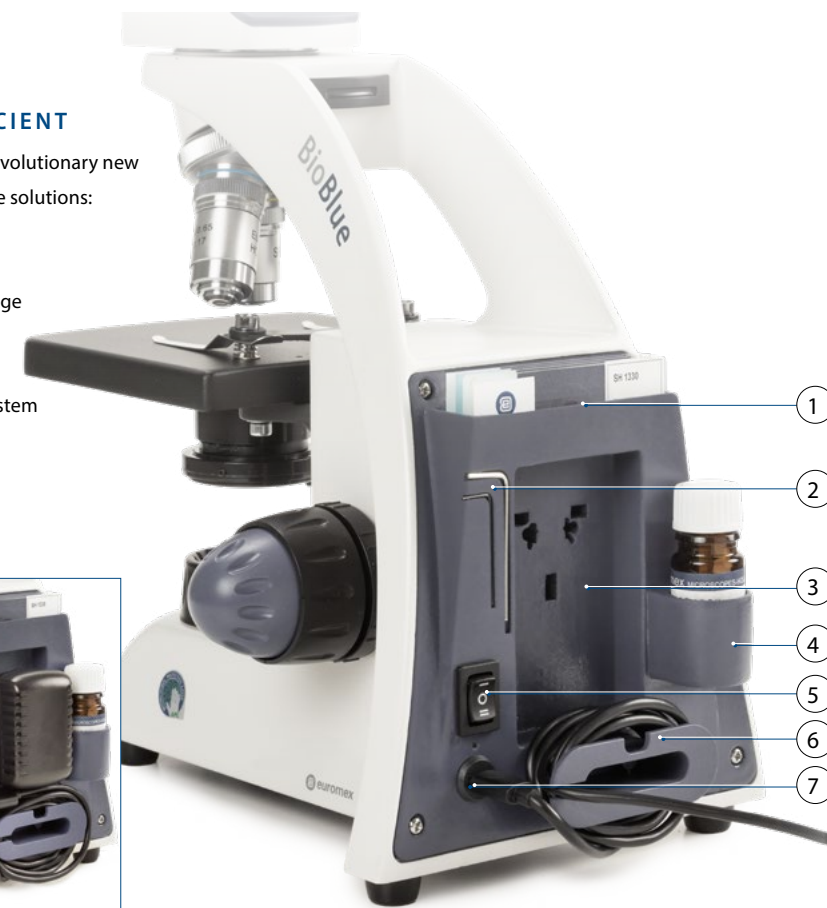
PACKAGE CONTENT

Supplied with 100-240 Vac / 5 Vdc USB multi-plug power adapter, three rechargeable type AA batteries, dust cover, a spare fuse, white filter, user manual and 5 ml immersion oil for models with S100x oil objective. Polarization models are supplied with a crosshairs eyepiece. All packed in a polystyrene box

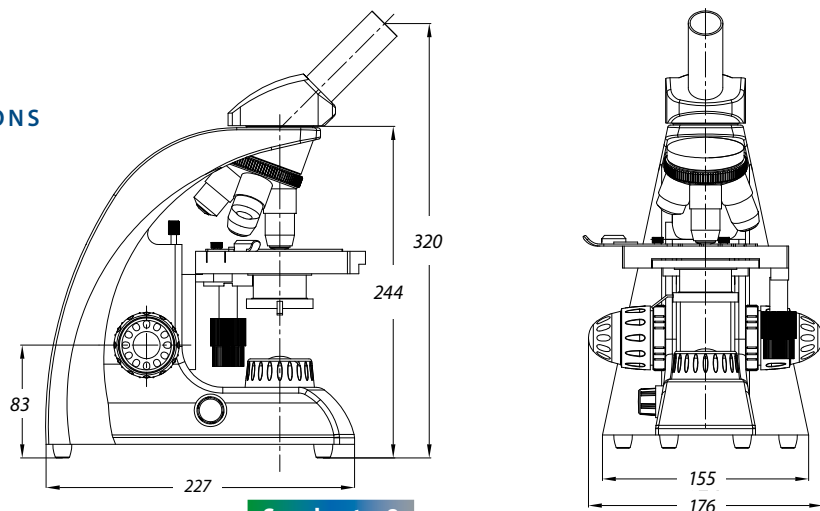
NEW BACK PANEL – ORGANIZED & EFFICIENT

The BioBlue now features a revolutionary new back panel with smart storage solutions:

1. 5-slide specimen holder
2. Dual tool holders
3. Built-in power supply storage
4. Storage for immersion oil
5. Dual illumination switch
6. Integrated cable roll-up system
7. USB-C power input



DIMENSIONS



See chapter 8

MODELS	Mono	Bino	Trino	Digital	4/10/S40x SMP objectives	S60x SMP objective	S100x oil SMP objective	Mechanical X-Y stage	Dual color LED	Dual color Neo-LED™	Köhler illumination ⁽¹⁾	Polarization ⁽²⁾
BB.4200	.				.				.			
BB.4220			
BB.4240			
BB.4250			
BB.4260			
BB.4260-E		
BB.4263			
BB.4243				
BB.4253				
BB.4253-E			
BB.4205		
BB.4225		
BB.4245		
BB.4255		
BB.4267		
BB.4267-T		.		.(4)	
BB.4269		
BB.4269-T		.		.(4)	
BB.4200-LCD				.(3)		
BB.4220-LCD				.(3)		
BB.4220-P-DLED
BB.4240-P-DLED
BB.4250-P-DLED
BB.4261-P-DLED	
BB.4263-P-DLED	
BB.4260-P-DLED	
BB.4241-P-DLED		
BB.4243-P-DLED		
BB.4253-P-DLED		

⁽¹⁾ EVO models are supplied with WF 10x/20 mm eyepieces and Köhler NeoLED™ illumination

⁽²⁾ Polarization models are supplied with DLED illumination - very similar light spectrum to the halogen illumination - and an eyepiece with crosshairs

⁽³⁾ Models with a 7" LCD screen, 1920 x 1080 pixels, SD card for images and video

⁽⁴⁾ Models with a tablet

ACCESSORIES AND SPARE PARTS

EYEPIECES

Ø 23.2 mm tube

- AE.5571 Wide field eyepiece WF 5x/18 mm
- AE.5572 Wide field eyepiece WF 10x/18 mm
- AE.5572-E Wide field eyepiece WF 10x/20 mm*
- AE.5573 Wide field eyepiece WF 15x/12 mm
- AE.5573-E Wide field eyepiece WF 15x/12 mm*
- AE.5574 Wide field micrometer eyepiece 10 mm/100
- AE.5581 Wide field eyepiece WF 10x/18 mm with pointer
- AE.5581-E Wide field eyepiece WF 10x/20 mm with pointer*
- AE.5582 Wide field eyepiece WF 20x/11.5 mm
- AE.5582-E Wide field eyepiece WF 20x/12.5 mm*
- AE.5365 Eyecup for eyepiece
- AE.5365-E Pair of eyecups for eyepieces*
- AE.1110 Stage micrometer 1 mm/ 100 parts

* for BioBlue EVO



OBJECTIVES

Semi Plan SMP, 45 mm parfocal

- AE.5591 4x/0.10 SMP objective. WD 37.5 mm
- AE.5593 10x/0.25 SMP objective. WD 6.5 mm
- AE.5594 20x/0.40 SMP objective. WD 1.2 mm
- AE.5597 S40x/0.65 SMP objective. WD 0.7 mm
- AE.5599 S60x/0.75 SMP objective. WD 0.2 mm
- AE.5601 S100x/1.25 oil immersion SMP objective. WD 0.2 mm



POLARIZATION ATTACHMENTS

Not suitable for the BioBlue EVO models

- AE.5151 Simple polarization attachment. Polarizer mounted over eyepiece and analyzer 32 mm diameter in filter holder
- AE.5152 Polarization attachment. Analyzer mounted over eyepiece and small (75 x 50 mm) 360° rotatable stage with built-in polarizer to be mounted on X-Y stage
- AE.5155 Polarization kit with analyzer in slider and small rotatable (75 x 50 mm) stage with two clamps to be mounted on X-Y stage. Polarization filter to be mounted on lamphouse

- AE.5155-P Polarization kit with analyzer in slider and small rotatable (100 x 65 mm) stage with two clamps to be mounted on plain stage. Polarization filter to be mounted on lamphouse
- AE.5156 Simple polarization kit with analyzer in slider and polarization filter to be mounted on lamphouse
- AE.5158 Polarization kit with analyzer in slider and small rotatable (75 x 50 mm) stage with two clamps to be mounted on X-Y stage. Rotatable 360° polarization filter to be mounted on lamphouse

AE.5158-P Polarization kit with analyzer in slider and small rotatable (100 x 65 mm) stage with two clamps to be mounted on plain stage. 360° Rotatable polarization filter to be mounted on lamphouse

CAMERA ACCESSORIES

AE.5130 Universal SLR camera adapter with 2x projection lens for 23.2 mm tubes. Needs T2 adapter
AE.5025 T2 adapter for Nikon D digital SLR cameras
AE.5040 T2 adapter for Canon EOS digital SLR cameras
Other T2 adapters on request

MISCELLANEOUS

AE.5511 Discussion head without eyepieces. Delivered with two eyepieces when the head is ordered mounted on microscope
AE.9918 Nylon microscope bag, 26 x 18 x 40 cm
BB.4300 Aluminum case
BB.9602 Analyzer in slider
AE.5227 Fuse 1 A 250 V, 10 pieces
AE.9981-DL 1 W Dual Color LED replacement unit*
AE.9991-DL 1 W Dual Color NeoLED™ replacement unit *
AE.9975-DL External 100-240 Vac (50/60 Hz)/ 5 Vdc USB-C multiplug adapter*

** Not compatible with BioBlue revision 1 models with single color LED's*



● BB.4300

● AE.9918

DISPOSABLES

PB.5155 Microscope slides 76 x 26 mm, ground edges, 50 pieces
PB.5157-W Microscope slides 76 x 26 mm, ground edges. White frosted side, 50 pieces per pack
PB.5157-B Microscope slides 76 x 26 mm, ground edges. Blue frosted side, 50 pieces per pack
PB.5160 Microscope slides 76 x 26 mm with cavity, ground edges. 10 pieces per pack
PB.5165 Cover glasses 18 x 18 mm, thickness 0.13-0.17 mm, 100 pieces
PB.5168 Cover glasses 22 x 22 mm, thickness 0.13-0.17 mm, 100 pieces
PB.5245 Lens cleaning paper, 100 sheets per pack
PB.5255 Immersion oil, n = 1.515 (25 ml)
PB.5274 Isopropyl alcohol 99% (200 ml)
PB.5275 Cleaning kit: lens cleaning fluid, lint free lens tissue, brush, air blower, cotton swabs
PB.5276 Microscope maintenance and servicing kit, 16 pieces: cleaning brush, screwdriver set of 6, air blower, 3 Allen keys, 1.5, 2, 2.5 mm, lens cleaning fluid 20 ml, cleaning cloth 140 x 140 mm, 100 lens tissue sheets, tube of maintenance grease, 10 ml bottle of oil, packed in a nice toolbox



● PB.5276



about
field of view

Field of view (FOV) is the visible area when looking through the microscope eyepiece (eyepiece FOV) or camera (camera FOV) and is usually expressed as a diameter

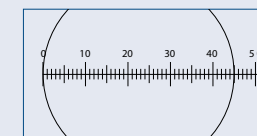
CALCULATING FOV OF AN EYEPIECE

The FOV through an eyepiece is equal to:

$$FOV = \frac{\text{Field Number}}{\text{Object Magnification}}$$

Field number (FN) is usually engraved on the eyepiece as a figure next to the magnification and expressed in mm, e.g. WF 10x/18. A 10x/18 eyepiece with a 40x objective will have a FOV = 18 mm / 40 = 0.45 mm or 450 nm

450 nm FOV with 10x/18 eyepiece and S40x objective



Micrometer stage 1 mm/100

900 nm FOV with 10x/18 eyepiece and S20x objective

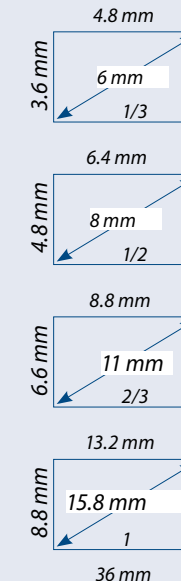


Micrometer stage 1 mm/100

FIELD OF VIEW WITH CAMERA

Most commercially available microscope digital cameras use 1/3, 1/2- or 2/3-inch rectangular sensors. A few will use a 1 inch camera sensor

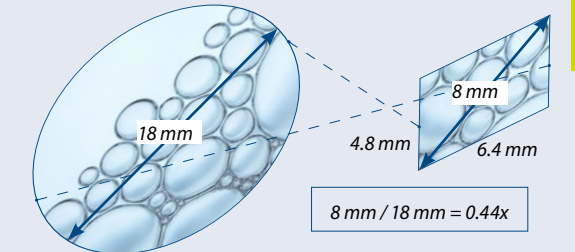
As a consequence, a rectangular camera sensor cannot capture the circular FOV that exits from a eyepiece, microscope third tube or photo port



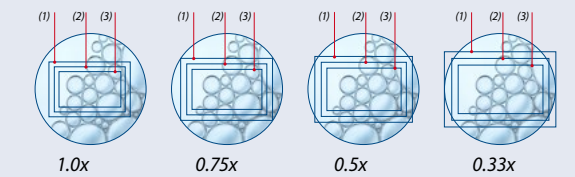
EYEPIECE VERSUS CAMERA FOV

Circular FOV through a WF10x/18 eyepiece

1/2 camera sensor and its rectangular FOV



Furthermore, the circular eyepiece FOV is much larger than the camera FOV and thus the microscope FOV must be "reduced" with a so-called "relay" lens or "photo-adapter". However - in order to avoid vignetting (dark shadows in the corners of an image), the circular microscope FOV must be projected just outside the image sensor area. Subsequently the camera FOV will always be smaller than the microscope FOV by 50 to 60%



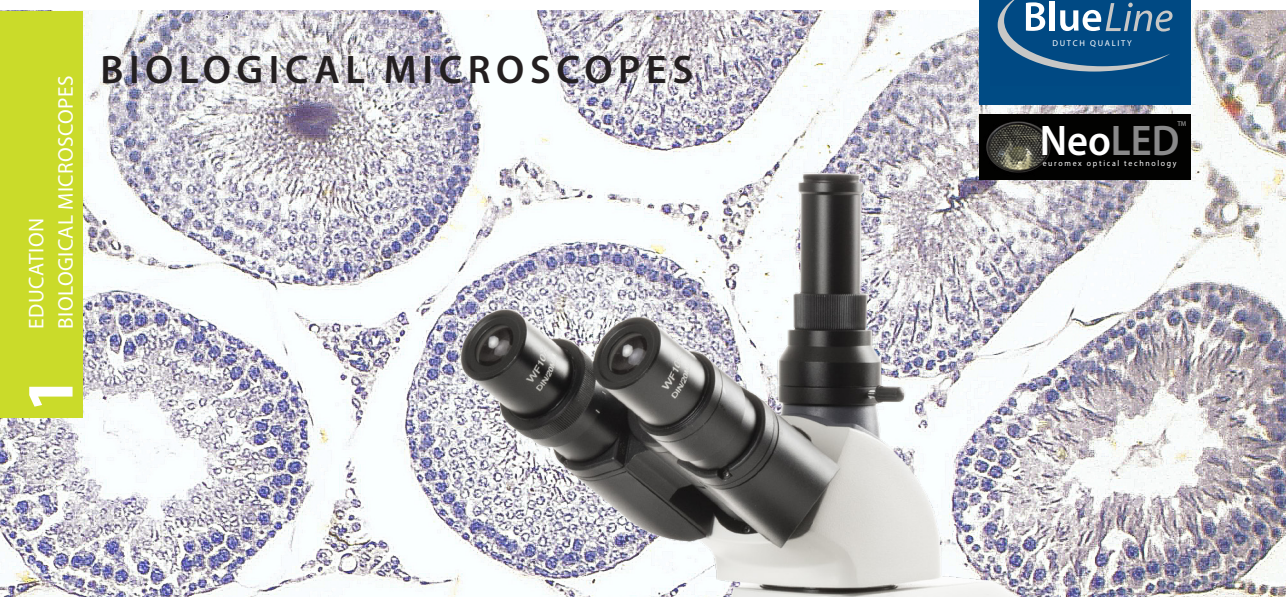
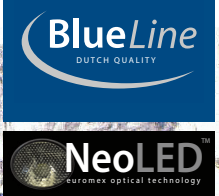
⁽¹⁾ = 2/3", ⁽²⁾ = 1/2" and ⁽³⁾ = 1/3"

Figure: different camera sensor sizes (2/3, 1/2, 1/3 inch) with different demagnifying" lenses (C-mount photo-adapters) 0.33x, 0.50x, 0.75x and 1.0x

IN ORDER TO OBTAIN THE DESIRED FIELD OF VIEW WITHOUT VIGNETTING USE:

- a 0.33 x photo adapter for cameras with a 1/3 sensor
- a 0.50 x photo adapter for cameras with a 1/2 sensor
- a 0.75 photo adapters for cameras with a 2/3 sensor
- a 1.0x or 1.2x photo adapters for cameras with a 1" or larger camera sensor

BIOLOGICAL MICROSCOPES



BioBlue.Lab

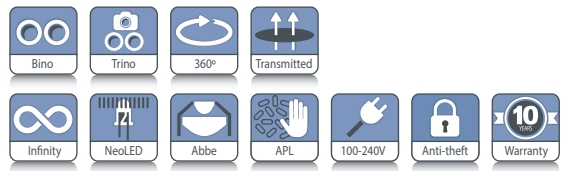
The BioBlue.Lab is an instrument that precisely matches the highest expectations of microscopy users. All models are equipped with a NeoLED™ illumination system and are available in binocular and trinocular versions



● BB.1153-PLi



product information



BB.1152-PLi
377 (h) x 205 (w) x 260 mm (d) | 5.4 kg
BB.1153-PLi
448 (h) x 205 (w) x 260 mm (d) | 5.6 kg



HIGHLIGHTS

- WF 10x/20 mm eyepieces
- Binocular and trinocular models
- Reversed quadruple nosepiece
- Plan and plan IOS objectives
- Infinity and non-infinity optical system
- Integrated rackless mechanical X-Y stage
- 3 W NeoLED™ illumination
- Ergonomic carrying grip
- 10 Years warranty



● BioBlue

● BioBlue.Lab

SPECIFICATIONS

These ergonomic easy-to-use microscopes have been designed specifically for laboratory and university applications

An important feature of the BioBlue.Lab is the rackless stage. The 150 x 140 mm stage has an integrated rackless mechanical X-Y stage with 75 x 30 mm travel range, which provides a smooth translation of the specimen and highly precise positioning. This feature plays an integral part in most demanding cytology and histopathology applications

The BioBlue.Lab microscope models offer great functionality and are equipped with WF 10x/20 mm eyepieces, plan and IOS plan 4x/ 10x/ S40x/ S100x infinity corrected objectives. This enhancement is suitable for a wide variety of routine applications in laboratories and field microscopy

EYEPIECES

Wide field WF 10x/20 mm eyepieces

HEAD

All models have 30° inclined Ø 30 mm tubes. The interpupillary distance is adjustable between 48 to 75 mm. All models have a ±5 diopter adjustment on the left tube. All heads are 360° rotatable and secured with a screw. The trinocular head has a fixed light path beam splitter (50:50) and generates an erect image

NOSEPIECE

Reversed quadruple nosepiece on ball bearings. Slot for analyzer (BB.9602)

OBJECTIVES - 45 MM PARFOCAL

All microscopes are equipped with plan and plan IOS objectives. Optional 20x/0.40 and S60x/0.85 objectives are also available. The S40x, S60x and S100x oil objectives are spring loaded
All optics are anti-fungus treated and anti-reflection coated for maximum light throughput

FOCUSING

Coaxial coarse and fine adjustments with 200 graduations. Precision 1.5 µm per graduation, 0.3 mm per rotation. Total travel range is approximately 28 mm. Supplied with an adjustable rack stop to prevent damage to sample and objectives. The coarse adjustments are equipped with friction control

STAGE

Rackless 150 x 140 mm stage with mechanical 75 x 30 mm X-Y translation stage

CONDENSER

Height adjustable Abbe condenser N.A. 1.25 with iris diaphragm

NEOLED™ ILLUMINATION



All models are supplied with an adjustable 3 W NeoLED™ illumination system for increased light output. Power supply with integrated 100-240 Vac

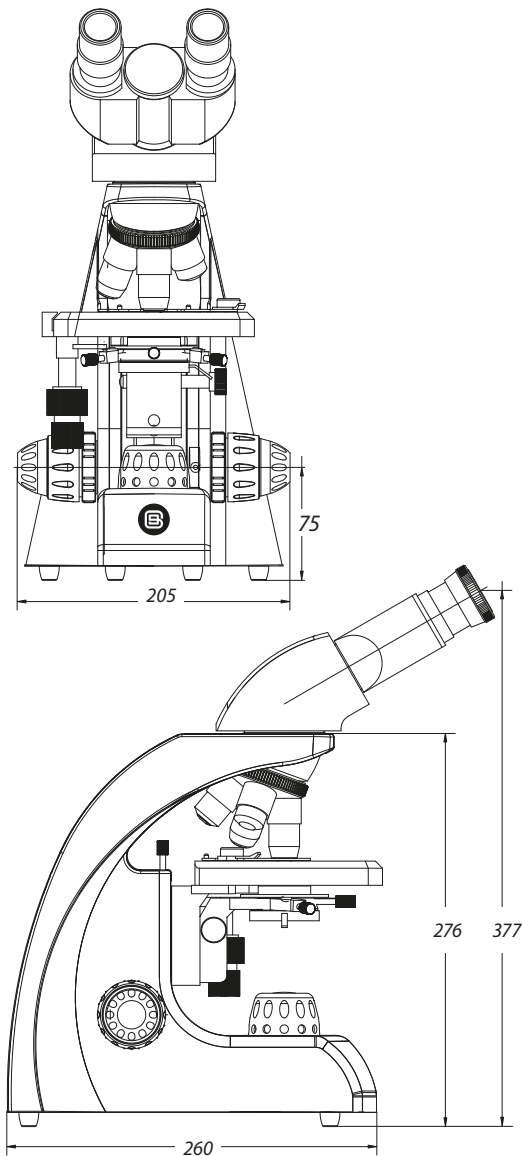
ANTI-THEFT SLOT

At the back of the microscope a Kensington Security slot is placed, which can be used to secure the instrument from theft

PACKAGE CONTENT

Supplied with power cord, dust cover, a spare fuse, user manual and 5 ml immersion oil and white filter, for on lamp house. All packed in a polystyrene box

DIMENSIONS



MODELS	Binocular	Trinocular	4x/10x/S40x/S100x oil plan objectives	4x/10x/S40x/S100x plan IOS objectives	Rackless mechanical X-Y stage	NeoLED™
BB.1152-PL	•		•		•	•
BB.1153-PL		•	•		•	•
BB.1152-PLi	•			•	•	•
BB.1153-PLi		•		•	•	•

ACCESSORIES AND SPARE PARTS

EYEPIECES

Ø 30 mm tube

- BB.6010** WF (wide field) 10x/20 mm eyepiece
- BB.6110** WF 10x/20 mm micrometer eyepiece with focusable lens, Ø 30 mm tube
- BB.6015** WF 15x/15 mm eyepiece
- BB.6020** WF 20x/11 mm eyepiece
- BB.6099** Pair of eyecups

OBJECTIVES

Plan PL, 45 mm parfocal

- BB.8804** 4x/0.10 PL objective. WD 17.92 mm
- BB.8810** 10x/0.25 PL objective. WD 2.04 mm
- BB.8820** 20x/0.40 PL objective. WD 1.20 mm
- BB.8840** S40x/0.65 PL objective. WD 0.65 mm
- BB.8860** S60x/0.80 PL objective. WD 0.19 mm
- BB.8800** Plan S100x/1.25 oil immersion objective. WD 0.18 mm

Plan PLi, IOS infinity corrected, 45 mm parfocal

- BB.7204** 4x/0.10 PLi objective. WD 7.18 mm
- BB.7210** 10x/0.25 PLi objective. WD 4.80 mm
- BB.7220** 20x/0.40 PLi objective. WD 5.27 mm
- BB.7240** S40x/0.65 PLi objective. WD 0.68 mm
- BB.7260** S60x/0.85 PLi objective. WD 0.50 mm
- BB.7200** S100x/1.25 oil immersion PLi objective. WD 0.20 mm

WD = working distance

MISCELLANEOUS

- BB.9602** Analyzer in slider, Ø 25 mm. Fits in nosepiece
- BB.9732** Polarization filter, Ø 32 mm. Fits in filter holder
- BB.9880** Köhler attachment
- BB.9993** 3 W NeoLED™ replacement unit
- BB.9707** White filter Ø 32 mm. Fits in filter holder
- AE.5227** Fuse 1 A 250 V, 10 pieces
- BB.9900** Aluminum case
- AE.9919** Nylon bag for BioBlue.Lab, 58(h) x 32(w) x 24(d)

CAMERA ACCESSORIES

- AE.5130** Universal SLR camera adapter with 2x projection lens for 23.2 mm tubes. Needs T2 adapter
- AE.5040** T2 adapter for Canon EOS SLR digital camera
- AE.5025** T2 adapter for Nikon D SLR digital camera

DISPOSABLES

- PB.5155** Microscope slides 76 x 26 mm, ground edges, 50 pieces per pack
- PB.5157-W** Microscope slides 76 x 26 mm, ground edges. White frosted side, 50 pieces per pack
- PB.5157-B** Microscope slides 76 x 26 mm, ground edges. Blue frosted side, 50 pieces per pack
- PB.5160** Microscope slides 76 x 26 mm with cavity, ground edges. 10 pieces per pack
- PB.5165** Cover glasses 18 x 18 mm, thickness 0.13-0.17 mm, 100 pieces
- PB.5168** Cover glasses 22 x 22 mm, thickness 0.13-0.17 mm, 100 pieces
- PB.5245** Lens cleaning paper, 100 sheets per pack
- PB.5255** Immersion oil, n = 1.515 (25 ml)
- PB.5274** Isopropyl alcohol 99% (200 ml)
- PB.5275** Cleaning kit: lens cleaning fluid, lint free lens tissue, brush, air blower, cotton swabs
- PB.5276** Microscope maintenance and servicing kit, 16 pieces: cleaning brush, screwdriver set of 6, air blower, 3 Allen keys, 1.5, 2, 2.5 mm, lens cleaning fluid 20 ml, cleaning cloth 140 x 140 mm, 100 lens tissue sheets, tube of maintenance grease, 10 ml bottle of oil, packed in a nice toolbox



BIOLOGICAL MICROSCOPES

BlueScope

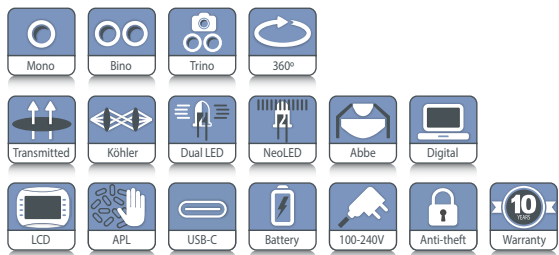


BlueScope

The all new microscopes of the BlueScope series are designed for education and professional use. Focus on durability and safety while maintaining the highest quality standards. These microscopes are equipped with secured eyepieces and rackless stage for safety. A color-coded condenser, quick focus aid and storage compartment for accessories make this microscope ideal for students



product information



BL.XXX1 MONO	370 (h) x 169 (w) x 205 mm (d)	2.8 kg
BL.XXX2 BINO	365 (h) x 169 (w) x 205 mm (d)	4.2 kg
BL.XXX3 TRINO	409 (h) x 169 (w) x 205 mm (d)	4.3 kg

● BL.1152



HIGHLIGHTS

- WF 10x/20 mm eyepieces
- Models with an integrated 5.0 MP CMOS camera, with a 7" LCD screen or tablet
- Universal USB-C 5V charging port
- Smart storage compartment
- Slot for polarization filter
- Integrated mechanical X-Y stage
- Color-coded height adjustable condenser
- Köhler illumination
- Dual colored illumination:
3 W white & halogen colored NeoLED™
- Quick focus aid
- 10 Years warranty

SPECIFICATIONS

EYEPIECE(S)

Wide field WF 10x/20 mm secured eyepieces.

The eyepiece of monocular models is supplied with pointer

HEAD

- Monocular models with 45° inclined tubes
- Binocular and trinocular models have 30° inclined tubes, interpupillary distance is adjustable between 48 and 75 mm and equipped with a ± 5 diopter adjustment on both tubes
- All heads are 360° rotatable. The trinocular head has a fixed light path beam splitter (50:50) and generates an erect image
- The BlueScope can also be supplied with a discussion head
- Models with an integrated 5.0 MP CMOS camera, with a 7" LCD screen or tablet available (See chapter 8)

NOSEPIECE

Reversed quadruple nosepiece on ball bearings

OBJECTIVES - 45 MM PARFOCAL

All models are supplied with Semi Plan 4x/0.10, 10x/0.25 and S40x/0.65 objectives. The S40x, S60x (optional) and S100x (optional) objectives are spring loaded

All optics are anti-fungus treated and anti-reflection coated for maximum light throughput



● The back of the BlueScope

FOCUSING

Coaxial coarse and fine adjustments with 100 graduations. Precision 2 μm per graduation, 0.2 mm per rotation. Total travel range is approximately 10 mm. Supplied with an adjustable rack stop to prevent damage to sample and objectives. Improved coarse & fine adjustment, which is equipped with tension control. With quick focusing aid for finding the slides focusing region with ease

STAGE

Rackless 140 x 135 mm stage with mechanical 70 x 50 mm X-Y translation stage

CONDENSER

Color coded, height adjustable Abbe condenser N.A. 1.25 with iris diaphragm and filter holder

KÖHLER ILLUMINATION

Köhler illumination ensures the highest possible contrast and the maximum achievable resolving power. It generates a uniform illumination of the sample and eliminates all interference from dust on lenses and side glare of the light source

ANTI-THEFT SLOT

At the back of the microscope a Kensington Security slot is placed, which can be used to secure the instrument from theft

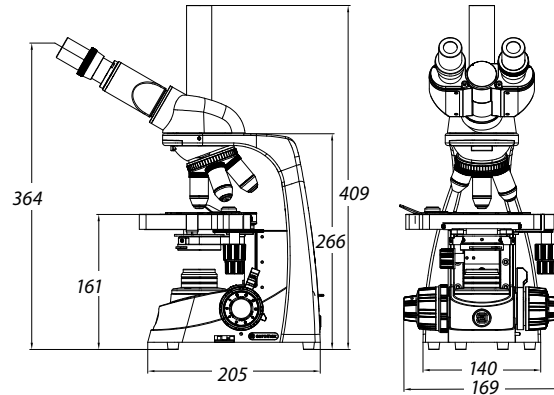
DUAL ILLUMINATION SYSTEM

- 3 W white NeoLED™: 6000 – 6500 K, ideal for standard observations with crisp, cool lighting
- 3 W halogen colored NeoLED™: 3000 – 3200 K, enhances contrast for specific applications such as transparent objects

PACKAGE CONTENT

Supplied with blue filter, Allen key, 5 ml immersion oil, 100-240 Vac / 5 Vdc USB multi-plug power adapter, 3 rechargeable type AA batteries, manual and dust cover

DIMENSIONS



MODELS	Mono	Bino	Trino	Digital	Digital tablet	Digital 7" LCD	4/10/40x objectives	S60x objective	S100x objective	Mechanical X-Y Stage	Dual color NeoLED™
BL.1051	•						•			•	•
BL.1151	•						•		•	•	•
BL.1651	•						•	•		•	•
BL.1152		•					•		•	•	•
BL.1652		•					•	•		•	•
BL.1153			•				•		•	•	•
BL.1653			•				•	•		•	•
BL.1055	•			•			•			•	•
BL.1057		•		•			•			•	•
BL.1057-T		•			•		•			•	•
BL.1050-LCD						•	•			•	•

See chapter 8

ACCESSORIES

EYEPIECES

Ø 23.2 mm tube

- BL.6010** WF 10x/20 mm eyepiece
- BL.6010-P** WF 10x/20 mm eyepiece with pointer
- BL.6010-M** WF 10x/20 mm eyepiece with micrometer scale
- BL.6015** WF 15x/13 mm eyepiece
- BL.6020** WF 20x/12 mm eyepiece
- BL.6025** WF 25x/8 mm eyepiece
- BL.6099** Pair of eyecups

- BL.7120** 20x/0.40 SMP objective. WD 0.90 mm
 - BL.7140** S40x/0.65 SMP objective. WD 0.68 mm
 - BL.7160** S60x/0.85 SMP objective. WD 0.60 mm
 - BL.7100** S100x/1.25 oil immersion objective. WD 0.21 mm
- WD = working distance

MISCELLANEOUS

- BL.9700** Blue filter
- BL.9710** Frosted white filter
- BL.9981** 3 W NeoLED™ replacement unit
- BL.9900** Aluminum case
- AE.9918** Nylon microscope bag

OBJECTIVES

SMP Semi Plan objectives

- BL.7104** 4x/0.10 SMP objective. WD 16 mm
- BL.7110** 10x/0.25 SMP objective. WD 4.60 mm

about dual colored LED

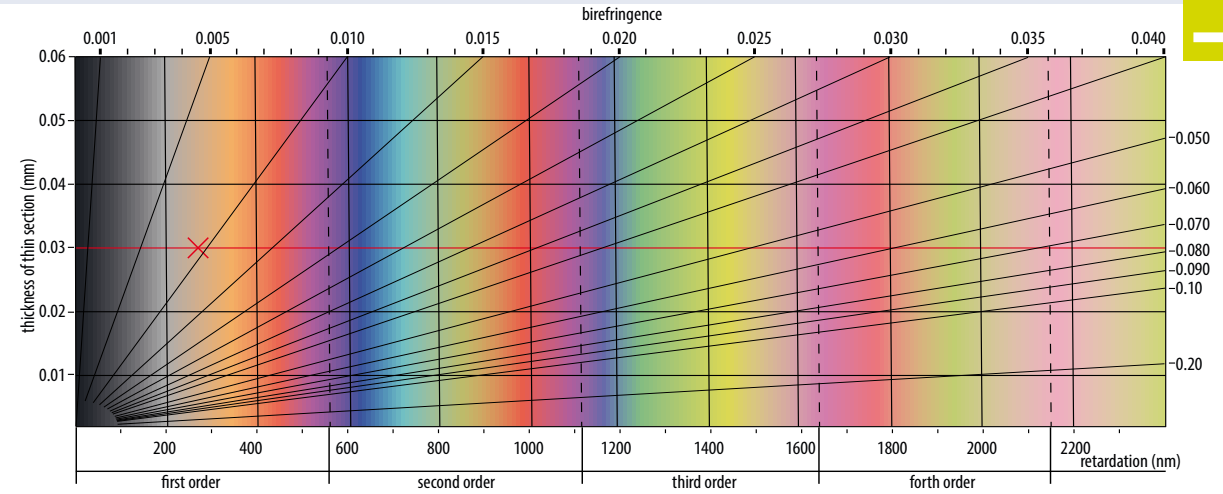
TECHNICAL FACTS

Benefits to have dual colored LED illumination 6000 K (cool white) and 3200 K (warm white) in petrology and general microscopy

In petrology, the ability to switch between these color temperatures allows for optimized visualization of different mineral compositions: **6000 K** enhances contrast and clarity

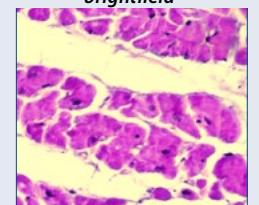
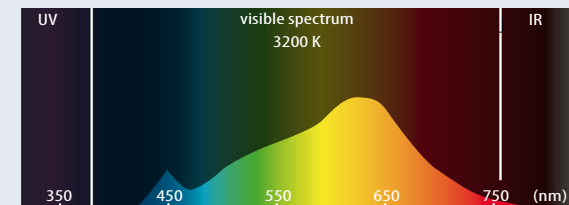
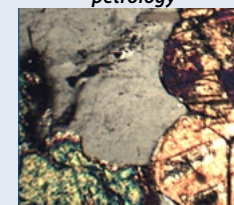
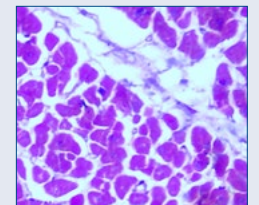
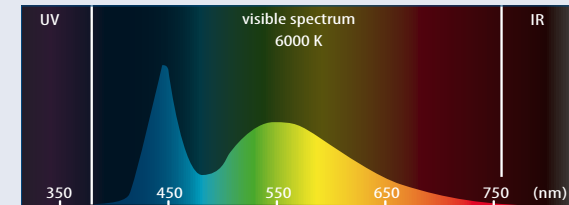
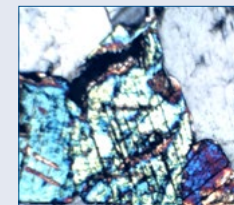
of fine crystal structures, while **3200 K** improves the visibility of features in darker or iron-rich minerals. The 3200 K light enables the correct color comparison with the Michel-Lévy table

Michel-Lévy table



In brightfield microscopy, the dual illumination system enables accurate color rendering across a range of specimens and staining types, improving observational quality under varying sample conditions. The 6000 K setting enhances

resolution and contrast, particularly useful for unstained or weakly stained specimens by improving the visibility of fine structural details. Conversely, the 3200 K setting provides more accurate color rendering for stained biological samples and reduces glare or oversaturation in pigmented tissues



BIOLOGICAL MICROSCOPES

bscope

NeoLED™
euromex optical technology



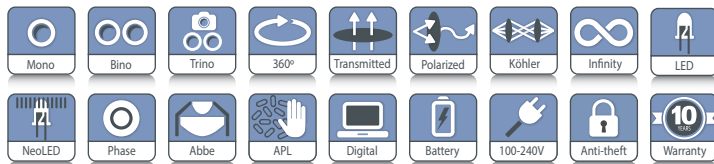
bScope

The well-equipped, versatile and evolutive microscopes of the bScope series are intensively used in secondary schools, universities, small to mid-sized laboratories and for veterinary applications

Besides an excellent ergonomic design, these robust and attractively priced microscopes are available in several configurations for brightfield and phase contrast observation with HWF 10x/20 mm eyepieces



product information



● BS.1153-EPLi

BS.1151-XXX MONOCULAR
385 (h) x 195 (w) x 235 (d) | 6.3 kg
BS.1152-XXX BINOCULAR
409 (h) x 195 (w) x 235 (d) | 6.5 kg
BS.1153-XXX TRINOCULAR
459 (h) x 195 (w) x 235 (d) | 6.6 kg



● BS.1152-PLi

● BS.1151-EPL

SPECIFICATIONS

EYEPIECE(S)

High wide field HWF 10x/20 mm secured eyepiece(s) with 20 mm field of view (Ø 23.2 mm tube). Eyepiece of monocular models is supplied with pointer

HEAD

The bScope is available with a monocular head (45° inclined Ø 23.2 mm tube) or with binocular or trinocular heads, equipped with a Siedentopf type head, 360° rotatable and equipped with 30° inclined Ø 23.2 mm tubes. Binocular and trinocular models have a diopter ± 5 adjustment on the left eyepiece. The interpupillary distance is adjustable between 48 to 76 mm. The models equipped with plan infinity corrected PLi objectives have a unique swiveling system of the eyepiece tubes for ergonomic positioning of both tubes in a high (431 mm) and in a low position (377 mm). The trinocular head comes with a Ø 23.2 mm tube, ensuring a maximum of flexibility. It has a fixed light path beam splitter (20:80) and generates an erect image. Models with an integrated USB-2.0 camera are supplied with a 5.0 MP 1/2.5" CMOS sensor with a resolution of 2592 x 1944 pixels (see chapter 8)

HIGHLIGHTS

- Monocular, binocular and trinocular models
- Digital models available
- HWF 10x/20 mm eyepieces
- Diopter adjustment on both tubes
- Reversed ball-bearing quadruple or quintuple nosepiece
- E-plan, E-plan IOS and plan IOS objectives
- Plan phase IOS objectives
- Color coded condenser
- Integrated rackless mechanical X-Y stage
- 3 W NeoLED™ adjustable illumination system
- Integrated carrying grip
- Cable Storage System and anti-theft system
- 10 Years warranty

NOSEPIECE

Revolving and reversed ball-bearing quadruple or quintuple nosepiece

OBJECTIVES - 45 MM PARFOCAL

The state-of-the-art production techniques and multi-layer coatings used for the manufacturing of the bScope objectives enable the bScope to be used for the highly demanding applications. World class spherical aberration correction and modern CNC and assembly technology ensure the perfect centering of the objectives

Brightfield models: E-plan, E-plan IOS infinity corrected, plan IOS infinity corrected 4x/0.10, 10x/0.25, 20x/0.40, S40x/0.65, S60x/0.85 and S100x/1.25 oil immersion objectives

Phase contrast models: Plan phase IOS infinity corrected 10x/0.25, 20x/0.40, S40x/0.65 and S100x/1.25 oil immersion objectives

All S40x, S60x and S100x oil immersion objectives are spring loaded. All optics are anti-fungus treated and anti-reflection coated for maximum light throughput

FOCUSING

Double coaxial, low-positioned coarse and fine adjustments with 180 graduations. Precision 1.1 µm, 200 µm per rotation, total travel range approximately 19 mm. Supplied with an adjustable rack stop to prevent damage to sample and objectives. The coarse adjustment is equipped with friction control

STAGE

The bScope is equipped with a scratch resistant 152/197 x 131 mm stage with integrated 75 x 36 mm rackless mechanical X-Y stage, Vernier scale and soft-close removable specimen holder. The rackless stage has no protruding parts, enables smooth movements and is safer in use. Low-positioned X-Y control knobs prevent fatigue during long working sessions. The bScope can be equipped with a heating stage which can be set up to 50° Celsius by a PID temperature controller. Only available with newly purchased microscopes

CONDENSER FOR BRIGHTFIELD

The standard height adjustable Abbe N.A. 1.25 condenser for brightfield comes with an iris diaphragm and swing-out filter holder. The condenser is color coded. Optionally available swing-out Abbe condenser (BS.9105)

POLARIZATION

The bScope has an integrated slot above the nosepiece for an optional polarization filter

NEOLED™ ILLUMINATION



The 3 W adjustable Köhler NeoLED™ diascope illumination is powered by an internal 100-240 V power supply making it suitable for worldwide use. The innovative NeoLED™ design offers larger apertures, allowing the optical system of the bScope microscope to produce images at higher resolutions, very close to the theoretical diffraction limit of the optics. Other benefits of the NeoLED™ are the low energy consumption, no heating and a long operating life span

KÖHLER ILLUMINATION

A Köhler illumination ensures for all infinity corrected IOS models the highest possible contrast and the maximum achievable resolving power. It generates a uniform illumination of the sample and eliminates all interference from dust on lenses and side glare of the light source
The Köhler illumination is optional for non-IOS models

CORDLESS USE

The optional rechargeable AA batteries turn the bScope into a cordless system

CSS – CABLE STORAGE SYSTEM

Allows users to easily stow away excess cable length into the back of the instrument during operation and to roll up the power cable for easy storage

CARRYING GRIP

The integrated carrying grip at the back of the microscope ensures safe transportation of the microscope

ANTI-THEFT SLOT

At the back of the microscope a Kensington Security slot is placed, which can be used to secure the instrument from theft



Swing-out Abbe condenser 0.9/1.25 NA (BS.9105)



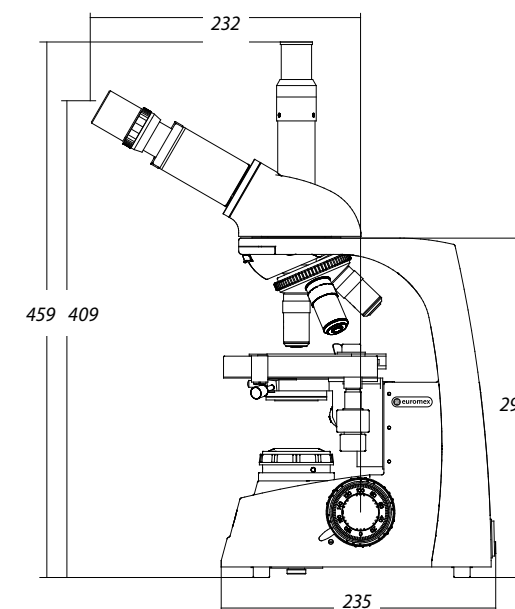
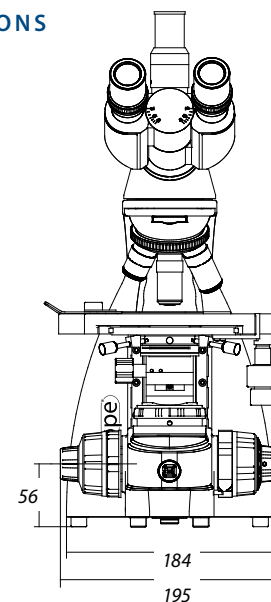
Ergonomic carrying grip for easy transportation

PACKAGE CONTENT

Smart polystyrene packaging ensures a low environmental footprint while maintaining a maximum of safety during transport. Supplied with power cord, dust cover, tools, a spare fuse, white filter, user manual and 5 ml immersion oil

Phase contrast models are supplied with green filter and alignment telescope

DIMENSIONS



FOR BRIGHTFIELD

See chapter 8

MODELS	Mono	Bino	Trino	Digital	HWF 10x/20 mm eyepieces	Quadruple nosepiece E-plan 4/10/540/ S100x	Quadruple nosepiece plan IOS 4/10/540/ S100x	Quintuple nosepiece E-plan IOS 4/10/540/ S100x	Quintuple nosepiece plan IOS 4/10/540/ S100x	NeoLED™	2-position swiveling ergo head
BS.1151-EPL	•				•	•				•	
BS.1152-EPL		•			•	•				•	
BS.1153-EPL			•		•	•				•	
BS.1152-EPLi		•			•			•		•*	•
BS.1153-EPLi			•		•			•		•*	•
BS.1157-EPLi				•	•			•		•*	•
BS.1152-PLi		•			•				•	•*	•
BS.1153-PLi			•		•				•	•*	•
BS.1157-PLi				•	•				•	•*	•
BS.1152-PLi/4N		•			•		•			•*	•
BS.1153-PLi/4N			•		•		•			•*	•

All models are equipped with a 152/197 x 131 mm stage with integrated 75 x 36 mm rackless mechanical X-Y stage

* Models are equipped with Köhler NeoLED™
Rechargeable batteries are optional for all models

ACCESSORIES AND SPARE PARTS

EYEPIECES

- Ø 23.2 mm tube
- BS.6010** HWF 10x/20 mm eyepiece
 - BS.6010-P** HWF 10x/20 mm with pointer
 - BS.6010-C** HWF 10x/20 mm eyepiece with crosshairs
 - BS.6010-CM**HWF 10x/20 mm eyepiece with 10/100 micrometer and crosshairs
 - BS.6012** WF 12.5x/14 mm eyepiece
 - BS.6015** WF 15x/11 mm eyepiece
 - BS.6020** WF 20x/11 mm eyepiece
 - BS.6099** Pair of eyecups for BS.6010
 - BS.6099-S** Pair of eyecups for BS.6012 and BS.6015

OBJECTIVES

E-Plan EPL, 45 mm parfocal

- BS.7104** 4x/0.10 EPL objective. WD 37.0 mm
- BS.7110** 10x/0.25 EPL objective. WD 6.61 mm
- BS.7120** 20x/0.40 EPL objective. WD 1.85 mm
- BS.7140** S40x/0.65 EPL objective. WD 0.64 mm
- BS.7160** S60x/0.85 EPL objective. WD 0.20 mm
- BS.7100** S100x/1.25 EPL oil objective. WD 0.19 mm
- 86.521** S100x/1.25 EPL oil objective with built-in iris diaphragm. WD 0.33 mm

E-Plan infinity corrected EPLi, IOS 45 mm parfocal

- BS.8204** 4x/0.10 IOS EPLi objective. WD 18.9 mm
- BS.8210** 10x/0.25 IOS EPLi objective. WD 5.95 mm
- BS.8220** 20x/0.40 IOS EPLi objective. WD 2.61 mm
- BS.8240** S40x/0.65 IOS EPLi objective. WD 0.78 mm
- BS.8200** S100x/1.25 IOS EPLi oil objective. WD 0.36 mm

Plan infinity corrected PLi, IOS 45 mm parfocal

- BS.8404** 4x/0.10 IOS PLi objective. WD 21.0 mm
- BS.8410** 10x/0.25 IOS PLi objective. WD 5.0 mm
- BS.8420** 20x/0.40 IOS PLi objective. WD 8.8 mm
- BS.8440** S40x/0.65 IOS PLi objective. WD 0.66 mm
- BS.8460** S60x/0.80 infinity corrected IOS PLi objective. WD 0.46 mm
- BS.8400** S100x/1.25 IOS PLi oil objective. WD 0.36 mm

WD = working distance

CONDENSERS

- BS.9102** Abbe condenser 1,25 NA with slot for darkfield and phase contrast sliders
- BS.9170** Darkfield stop for BS.9102 condenser
- BS.9105** Swing-out Abbe condenser 0.9/1.25 NA
- BS.9164** Phase contrast kit with Abbe condenser with slot for slider. Plan PLPHi phase S40x contrast objectives, slider with 40x annuli only, telescope and green filter
- BS.9194** Slider with phase contrast annuli 40x. Needs BS.9102 condenser with slot

ATTACHMENTS

- BS.9647** Polarizer for polarization Ø 16 mm for slider under bScope head
- BS.9651** Polarization attachment for lamphouse of bScope with 360° scale
- BS.9660** Polarization kit: analyzer under head and polarizer on lamphouse
- AE.5152-N** Small rotatable stage to be used with BS.9660
- BS.9880** Köhler attachment

CAMERA ACCESSORIES

- AE.5130** Universal Ø 23.2 mm tube adapter with built-in 2x lens for SLR photo camera with APS-C sensor. Needs T2 adapter
- AE.5025** T2 adapter for Nikon D SLR digital camera
- AE.5040** T2 adapter for Canon EOS SLR digital camera

MISCELLANEOUS

- BS.9577-L** Add-on price for left handed mechanical X-Y stage
- BS.9870** Mirror attachment for bScope
- BS.9900** Aluminum transport case
- AE.9919** Nylon bag for bScope. 58(h) x 32(w) x 24(d)
- BS.9993** NeoLED™ replacement unit
- BS.9994** Halogen-NeoLED™ replacement unit
- AE.1370** Set of rechargeable AA batteries, 3 pieces
- AE.5226** Glass fuses 3A 250V, 10 pieces

DISPOSABLES

- PB.5155** Microscope slides 76 x 26 mm, ground edges, 50 pieces per pack
- PB.5157-W** Microscope slides 76 x 26 mm, ground edges. White frosted side, 50 pieces per pack
- PB.5157-B** Microscope slides 76 x 26 mm, ground edges. Blue frosted side, 50 pieces per pack
- PB.5160** Microscope slides 76 x 26 mm with cavity, ground edges. 10 pieces per pack
- PB.5165** Cover glasses 18 x 18 mm, thickness 0.13-0.17 mm, 100 pieces
- PB.5168** Cover glasses 22 x 22 mm, thickness 0.13-0.17 mm, 100 pieces
- PB.5245** Lens cleaning paper, 100 sheets per pack
- PB.5255** Immersion oil (25 ml). n = 1.515
- PB.5274** Isopropyl alcohol 99% (200 ml)
- PB.5275** Cleaning kit: lens cleaning fluid, lint free lens tissues/paper, brush, air blower, cotton swabs
- PB.5276** Microscope maintenance and servicing kit, 16 pieces: cleaning brush, screwdriver set of 6, air blower, 3 Allen keys, 1.5, 2, 2.5 mm, lens cleaning fluid 20 ml, cleaning cloth 140 x 140 mm, 100 lens tissue sheets, tube of maintenance grease, 10 ml bottle of oil, packed in a nice toolbox

For phase contrast attachments and accessories see chapter 4



● AE.5152-N, small rotatable stage



● CSS – Cable Storage System



euromex.academy



BIOLOGICAL MICROSCOPES

iscope™

NeoLED™
euromex optical technology



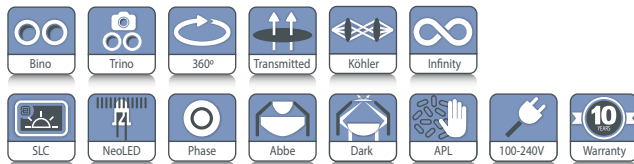
iScope

The iScope microscopes exceed today's standard, as they provide more comfort and convenience for microscopists with ergonomic features such as height adjustable eye tubes and a large rackless stage with double slide holder. The modern design and compact size of the iScope microscopes allow more working space, safer operation and enable easy storage

The iScope series is available in various configurations, suitable for high schools, universities and Life and Biomedical Sciences. Observation methods such as brightfield, phase contrast, cardioid mirror darkfield, basic polarization and fluorescence are available



product information



● IS.1153-PLi



IS.1153-PLi
480 (h) x 210 (w) x 255 (d) mm | 9.0 kg



● IS.1152-PLPHi

SPECIFICATIONS

EYEPIECES

Extended plan wide field EWF 10x/20 mm eyepieces with 20 mm field of view and adjustable diopter on the left eyepiece for non-infinity corrected systems (Ø 23.2 mm tube)
Extended plan wide field EWF 10x/22 mm eyepieces with 22 mm field of view and adjustable diopter on both eyepieces for infinity corrected IOS plan and plan phase systems and adjustable diopter on the left tube for EPLi systems (Ø 30 mm tube)

HEAD

Binocular and trinocular Siedentopf type heads with 30° inclined tubes. Interpupillary distance from 48 to 76 mm. The trinocular head of the plan infinity corrected models (IS.1153-PLi) has an optical path selector (100:0 / 50:50) and ± 5 diopter adjustments on both Ø 30 mm tubes. The trinocular head of the E-plan infinity corrected models (IS.1153-EPLi) has a fixed built-in beam splitter (50:50) and ± 5 diopter adjustment on the Ø 30 mm left tube. The trinocular head of the E-plan finite models (IS.1153-EPL) has a fixed built-in 50:50 beam splitter and one ± 5 diopter adjustment on the Ø 23.2 mm left tube. A unique rotating

HIGHLIGHTS

- EWF 10x/22 mm and EWF10x/20 mm eyepieces
- Binocular and trinocular models
- Optional multiheads
- Optional tilting head
- Quintuple reversed nosepiece
- E-plan, plan and plan phase objectives
- E-plan, plan and plan phase infinity corrected IOS objectives
- 156 x 138 mm stage or 187/230 x 140 mm rackless stage
- Intensity adjustable 3 W NeoLED™ Köhler illumination
- iCare sensor for energy saving
- CSS - Cable Storage System
- 10 Years warranty

system allows the ergonomic positioning of both tubes in a high (431 mm) and in a low position (397 mm). The trinocular head comes with a Ø 23.2 mm photo port

ERGONOMIC TILTING HEAD

Optional: the ergonomic 5 to 35° tilting head, supplied with EWF 10x/22 mm eyepieces, interpupillary distance 48-75 mm and optional photo attachment with standard Ø 23.2 mm tube (only infinity corrected models)

To order an iScope with tilting head use reference IS.1158-xxx
To order an iScope with tilting head and photo tube attachment use reference IS.1159-xxx

FACE-TO-FACE HEADS

The iScope can be supplied with two heads in a face-to-face configuration, allowing simultaneous observation by two operators. The Ø 30 mm tubes of the head are equipped with EWF 10x/20 mm eyepieces. Both heads have two diopter adjustments. Only available for the model with plan infinity corrected objectives (IS.1154-PLi/T). The face-to-face head is equipped with a 2-color laser pointer

MULTIHEAD SYSTEM

The iScope can be extended with a unique multihead system for in total 2, 3 or 5 heads, allowing simultaneous observation of specimens. The central attachment is equipped with a joystick to move a green and red laser pointer across the entire field of view of all heads. Configurations with one, two

or four additional viewing binocular heads, 30° inclined tubes and plan 4x, 10x, S40x, S100x oil immersion infinity corrected IOS objectives. Each extra viewing binocular head is equipped with extended wide field plan EWF 10x/22 mm eyepieces (references: IS.1156-PLi-x, x = total number of heads)

OBJECTIVES - 45 MM PARFOCAL

E-Plan EPL	4x/0.10	10x/0.25	20x/0.40*	S40x/0.65	S100x/1.25 oil
E-Plan EPLi IOS	4x/0.10	10x/0.25	20x/0.40*	S40x/0.65	S100x/1.25 oil
Plan PLi IOS	4x/0.10	10x/0.25	20x/0.40*	S40x/0.65	S60x/0.85*
Plan phase PLPH		10x/0.25	20x/0.40	S40x/0.65	S100x/1.25 oil
Plan phase PLPHi IOS		10x/0.25	20x/0.40	S40x/0.65	S100x/1.25 oil

* optional

All optics are anti-fungus treated and anti-reflection coated for maximum light throughput

NOSEPIECE

Revolving quintuple reversed nosepiece for a maximum of five objectives

STAGE

The iScope can be equipped with three types of stages:

- 156 x 138 mm stage equipped with integrated 79 x 52 mm mechanical X-Y stage
- 187/230 x 140 mm rackless stage equipped with double slide holder and integrated 79 x 52 mm mechanical X-Y stage. The iScope rackless stage has no protruding parts, enables smoother movements and is safer
- 220 x 157 mm ceramic stage with integrated 75 x 50 mm mechanical X-Y stage is protected against marks and scratches with a very tough ceramic surface. The surface also ensures stray light not to be reflected from the stage into the objective

The iScope can be supplied with a heating stage which can be set up to 50° Celsius by a PID temperature controller. Only available with newly purchased microscopes. Higher temperatures can be achieved on special request

CONDENSER FOR BRIGHTFIELD

The standard height adjustable Abbe N.A. 1.25 condenser for brightfield accepts sliders with phase annuli suitable for plan phase 10x/20x or S40x/S100x oil immersion IOS objectives for economical phase contrast. With magnification indication. A slider with a simple dark stop for darkfield up to 400x magnification is also available

CONDENSER FOR ZERNIKE PHASE CONTRAST

An optional height adjustable Zernike NA. 1.25 phase contrast disc condenser with plan phase 10/20/S40x and S100x oil immersion objectives and darkfield stop position for darkfield contrast up to 400x magnification

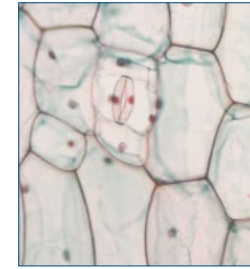
FOCUSING

Coaxial coarse and fine adjustments, 200 graduations, 1 µm per graduation, 200 µm per rotation, total travel range is approximately 24 mm. Supplied with an adjustable rack stop to prevent damage to sample and objectives. The coarse adjustments are equipped with friction control

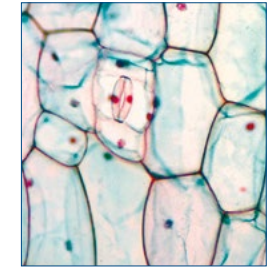
NEOLED™ ILLUMINATION



3 W adjustable Köhler NeoLED™ diascope illumination with internal 100-240 V power supply. The innovative NeoLED™ design offers larger apertures, allowing the optical system of the iScope microscope to produce images at higher resolutions, very close to the theoretical diffraction limit of the optics. Other benefits of the NeoLED™ is the low energy consumption, no heating and a long operating life span. The Köhler illumination on models with IOS plan and plan phase infinity corrected system provides high contrast and a maximum achievable resolving power of the optics. Also available for other models as option



● Normal LED



● NeoLED™

ICARE SENSOR

The unique iCare Sensor is developed to avoid unnecessary loss of energy. The illumination of the microscope automatically switches off shortly after microscopists step away from their position

CSS – CABLE STORAGE SYSTEM

iScope allows users to easily insert the power cable into the back of the instrument, which enables easy storage. The integrated carrying grip at the back of the microscope ensures safe transportation of the microscope

PACKAGE CONTENT

Supplied with power cord, dust cover, a spare fuse, user manual and 5 ml immersion oil for models with S100x oil objective. All packed in polystyrene boxes



● IS.1152-EPL



● iCare sensor

SCOPE FOR LIFE SCIENCE (FINITY MODELS)

MODELS	Binocular	Trinocular	Phase contrast	EWF 10x20 mm	E-plan objectives	Plan phase objectives	Mechanical X-Y stage	iCare Sensor
IS.1152-EPL	•			•	•		•	•
IS.1153-EPL		•		•	•		•	•
IS.1153-PLPH		•	•	•		•	•	•

SCOPE FOR LIFE SCIENCE (INFINITY MODELS)

MODELS	Binocular	Trinocular	Phase contrast	EWF 10x22 mm	E-plan IOS objectives	Plan IOS objectives	Plan phase IOS objectives	Mechanical X-Y stage	iCare Sensor	Köhler LED
IS.1152-EPLi	•			•	•			•	•	
IS.1153-EPLi		•		•	•			•	•	
IS.1152-PLi	•			•*		•		•	•	•
IS.1153-PLi		•		•*		•		•	•	•
IS.1152-PLPHi	•		•	•*			•	•	•	•
IS.1153-PLPHi		•	•	•*			•	•	•	•

*Two tubes with diopter adjustments

SCOPE FOR LIFE SCIENCE (INFINITY - ERGONOMIC TILTING HEAD)

MODELS	Bino	Photo attachment	Phase contrast	EWF 10x22 mm	E-plan IOS 4x/10x/ 40x/ 100x objectives	Plan IOS 4x/10x/ 40x/ 100x objectives	Plan phase IOS 10x/20x/ 40x/ 100x objectives	Mechanical rackless stage	iCare Sensor	Köhler LED
IS.1158-EPLi	•			•	•			•	•	
IS.1159-EPLi	•	•		•	•			•	•	
IS.1158-PLi	•			•		•		•	•	•
IS.1159-PLi	•	•		•		•		•	•	•
IS.1158-PLPHi	•		•	•			•	•	•	•
IS.1159-PLPHi	•	•	•	•			•	•	•	•

SCOPE FOR LIFE SCIENCE (MULTIHEAD SYSTEMS)

MODELS	Total users	Binocular	Trinocular	EWF 10x20 mm	Plan IOS objectives	Mechanical rackless stage	iCare sensor	Köhler LED
IS.1156-PLi2	2	1x	•	•	•	•	•	•
IS.1156-PLi3	3	2x	•	•	•	•	•	•
IS.1156-PLi5	5	4x	•	•	•	•	•	•

SCOPE FOR LIFE SCIENCE (FACE-TO-FACE DUAL HEAD SYSTEM)

MODEL	Total users	Binocular EWF 10x/20 mm	Trinocular EWF 10x/20 mm	Plan IOS 4x/10x/ 40x/100x objectives	Mechanical rackless stage	iCare sensor	Köhler LED
IS.1154-PLi/T	2	1x	1x	•	•	•	•



● IS.115x-EPL stage



● IS.115x-PLi rackless stage

ACCESSORIES AND SPARE PARTS

EYEPIECES

Ø 23.2 mm tube

- IS.6010** EWF 10x/20 mm eyepiece
- IS.6010-P** EWF 10x/20 mm eyepiece with pointer
- IS.6010-C** EWF 10x/20 mm eyepiece with crosshairs
- IS.6010-CM** EWF 10x/20 mm eyepiece with 10/100 micrometer and cross
- IS.6015** WF 15x/16 mm eyepiece
- IS.6099** Pair of eyecups

Ø 30 mm tube

- IS.6210** EWF 10x/22 mm eyepiece
- IS.6210-C** EWF 10x/22 mm eyepiece with crosshairs
- IS.6210-P** EWF 10x/22 mm eyepiece with pointer
- IS.6210-CM** EWF 10x/22 mm eyepiece with 10/100 micrometer and crosshairs
- IS.6212** WF 12.5x/17 mm eyepiece
- IS.6215** WF 15x/16 mm eyepiece
- IS.6215-CM** WF 15x/16 mm eyepiece with 10/100 micrometer and crosshairs
- IS.6220** WF 20x/12 mm eyepiece
- IS.6299** Pair of eyecups for infinity models

OBJECTIVES

E-Plan EPL, 45 mm parfocal

- IS.7104** 4x/0.10 EPL objective. WD 15.2 mm
- IS.7110** 10x/0.25 EPL objective. WD 5.5 mm
- IS.7120** 20x/0.40 EPL objective. WD 3.5 mm
- IS.7140** S40x/0.65 EPL objective. WD 0.45 mm
- IS.7160** S60x/0.85 EPL objective. WD 0.19 mm
- IS.7100** S100x/1.25 EPL oil objective. WD 0.13 mm

Plan Phase contrast PLPH, 45 mm parfocal

- IS.7710** 10x/0.25 PLPH objective. WD 12.2 mm
- IS.7720** 20x/0.40 PLPH objective. WD 5 mm
- IS.7740** S40x/0.65 PLPH objective. WD 0.37 mm
- IS.7700** S100x/1.25 PLPH oil objective. WD 0.13 mm

E-plan infinity corrected EPLi, IOS 45 mm parfocal

- IS.8804** 4x/0.10 IOS EPLi objective. WD 15.4 mm
- IS.8810** 10x/0.25 IOS EPLi objective. WD 5.8 mm
- IS.8840** S40x/0.65 IOS EPLi objective. WD 0.43 mm
- IS.8800** S100x/1.25 IOS EPLi oil objective. WD 0.13 mm

Plan infinity corrected PLi, 45 mm parfocal

- IS.7202** 2x/0.05 IOS PLi objective, WD 18.3 mm. Best to be used together with swing-out condenser
- IS.7204** 4x/0.10 IOS PLi objective. WD 15.4 mm
- IS.7210** 10x/0.25 IOS PLi objective. WD 10 mm
- IS.7220** 20x/0.40 IOS PLi objective. WD 5.1 mm
- IS.7240** S40x/0.65 IOS PLi objective. WD 0.54 mm
- IS.7260** S60x/0.85 IOS PLi objective. WD 0.14 mm
- IS.7200** S100x/1.25 IOS PLi oil objective. WD 0.13 mm

Plan Phase infinity corrected PLPHi, 45 mm parfocal

- IS.8910** 10x/0.25 IOS PLPHi objective. WD 10.2 mm
- IS.8920** 20x/0.40 IOS PLPHi objective. WD 5.1 mm
- IS.8940** S40x/0.65 IOS PLPHi objective. WD 0.5 mm
- IS.8900** S100x/1.25 IOS PLPHi oil objective. WD 0.13 mm

CONDENSERS

- IS.9102** Standard Abbe condenser 1.25 NA with slot for darkfield and phase contrast sliders
- IS.9105** Swing-out 0.9/1.25 N.A. condenser
- IS.9170** Slider with darkfield stop

PHASE CONTRAST ATTACHMENTS

- IS.9124** Zernike phase contrast set including rotating disc with PLPH 10/20/40/100, brightfield and darkfield position
- IS.9127** Zernike phase contrast set including rotating disc with PLPH 10/20/40/100, brightfield and darkfield position
- IS.9148** Alignment telescope for phase contrast, Ø 30 mm tube
- IS.9149** Alignment telescope for phase contrast, Ø 23.2 mm tube
- IS.9190** Slider with phase contrast annuli for 10x and S40x phase contrast objective
- IS.9192** Slider with phase contrast annuli for 20x and S100x phase contrast oil objective
- IS.9194** Slider with phase contrast annuli for S40x phase contrast objective

FILTERS

- IS.9600** Polarization filter 45 mm for lamphouse
- IS.9601** Polarization set: simple rotating polarizer for lamphouse and fixed polarizer, mounted under head (not suitable for SLC models)
- IS.9626** Polarization filter for mounting under the head (not suitable for SLC models)
- IS.9700** Blue filter 45 mm for lamphouse
- IS.9702** Green filter 45 mm for lamphouse
- IS.9704** Yellow filter 45 mm for lamphouse
- IS.9706** White opaque filter 45 mm for lamphouse

MISCELLANEOUS

- IS.9501** Stage with ergonomical low-positioned X-Y adjustments of mechanical X-Y stage. Right handed. Add-on price, only with new microscopes
- IS.4300** Aluminum transport case for iScope
- IS.9880** Köhler attachment
- AE.3684** Glass fuses 500 mA 250 V, 10 pieces
- IS.9993** NeoLED™ replacement unit
- IS.9994** Halogen-NeoLED™ replacement unit



● IS.9501 Stage with ergonomical low-positioned X-Y adjustments

CAMERA ACCESSORIES

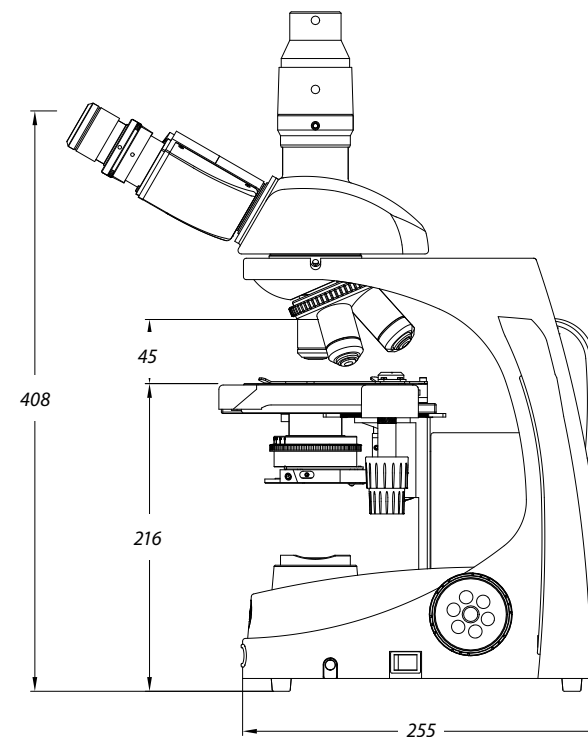
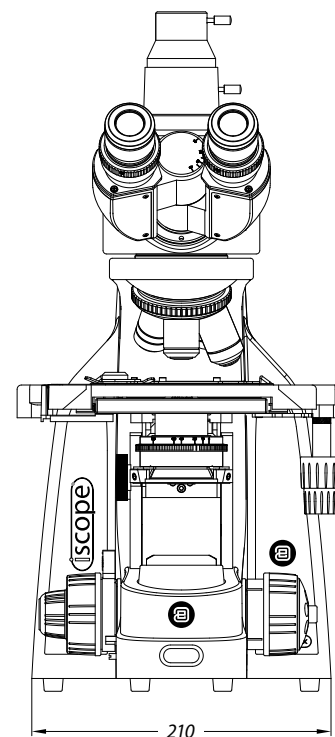
- AE.5130** Universal SLR adapter with built-in 2x lens for standard 23.2 mm tube. Needs T2 adapter
- AE.5025** T2 adapter for Nikon D SLR digital camera
- AE.5040** T2 adapter for Canon EOS SLR digital camera

DISPOSABLES

- PB.5155** Microscope slides 76 x 26 mm, ground edges, 50 pieces per pack
- PB.5157-W** Microscope slides 76 x 26 mm, ground edges and frosted side white color, 50 pieces per pack
- PB.5157-B** Microscope slides 76 x 26 mm, ground edges and frosted side blue color, 50 pieces per pack
- PB.5165** Cover glasses 18 x 18 mm, 0.13-0.17 mm, 100 pieces

- PB.5168** Cover glasses 22 x 22 mm, 0.13-0.17 mm, 100 pieces
- PB.5245** Lens cleaning paper, 100 sheets per pack
- PB.5255** Immersion oil, 25 ml. Refraction index n = 1.515
- PB.5274** Iso propyl alcohol 99%, 200 ml
- PB.5275** Cleaning kit: lens fluid, lint free lens tissues/paper, brush, air blower, cotton swabs
- PB.5276** Microscope maintenance and servicing kit, 16 pieces: cleaning brush, screwdriver set of 6, air blower, 3 Allen keys, 1.5, 2, 2.5 mm, lens cleaning fluid 20 ml, cleaning cloth 140 x 140 mm, 100 lens tissue sheets, tube of maintenance grease, 10 ml bottle of oil, packed in a nice toolbox

DIMENSIONS



education

stereo microscopes



stereo microscopes



product information

Euromex stereo microscopes are ideal instruments for most demanding teaching classes. The high-resolution three-dimensional images generated by these robust, student-friendly microscopes make them highly appreciated by both teachers and students

Digital models with built-in camera and measuring software are also available

- EDUBLUE • 52
- STEREOBLUE • 58
- NEXIUSZOOM • 64
- AP SERIES • 72



STEREO MICROSCOPES

EDUCATION
STEREO MICROSCOPES
2



EduBlue

The EduBlue microscopes are ideal for educational purposes and available from 5x up to 80x magnifications

The two parallel optical trains allow the three-dimensional observation of small insects, plants, stones and minerals



● Pillar stand model ED.1402-P



- Bino
- Trino
- Transmitted
- Incident
- Dual LED
- APL
- WiFi
- Digital
- USB-C
- Battery
- 100-240V
- Anti-theft
- 5 Year Warranty

ED.1302-P / ED.1402-P
225 (h) x 175 (w) x 220 mm (d) 2.4 kg
ED.1302-S / ED.1402-S
260 (h) x 175 (w) x 220 mm (d) 2.1 kg
ED.1505-S / ED.1805-S
260 (h) x 175 (w) x 220 mm (d) 2.3 kg



HIGHLIGHTS

- Designed for education
- Universal USB-C 5V Power
- Dual illumination system: white & halogen colored LED
- Robust and sturdy, with secured eyepieces
- WF 10x/20 mm eyepieces
- Dual or triple magnifications
- Binocular and trinocular models available
- Available in ergonomic rack & pinion and pillar stands
- Double 1 W LED illumination
- Digital WiFi models with 4.0 MP camera available
- Supplied with rechargeable AA batteries for cordless use
- Ergonomic carrying grip
- 5 Years warranty

SPECIFICATIONS

EYEPIECES

Pair of secured WF 10x/20 mm eyepieces supplied with eyecups

HEAD

- Binocular head with 45° inclined tube. Diopter adjustment of ± 5 on one side
- Trinocular head with 45° inclined tubes and 23.2mm tube. The standard trinocular tube accepts all standard 23.2 mm C-mount objectives
- Interpupillary distance adjustable between 55 and 75 mm
- Digital head is supplied with a 4.0 MP USB-2.0 1/1.8" CMOS camera
- A maximum of resolution of 2688 x 1512 pixels

DUAL MAGNIFICATION OBJECTIVES

- Revolving nosepiece with dual 1x/3x and 2x/4x magnifications objectives, which can provide standard magnifications of 10x and 30x or 20x and 40x
- Working distance 60 mm
- Field of view of 20/6.7 mm or 10/5 mm
- Magnifications can be altered using optional eyepieces



● USB-C power input and dual color LED switch

All optics are anti-fungus treated and anti-reflection coated for maximum light throughput

TRIPLE MAGNIFICATION OBJECTIVES

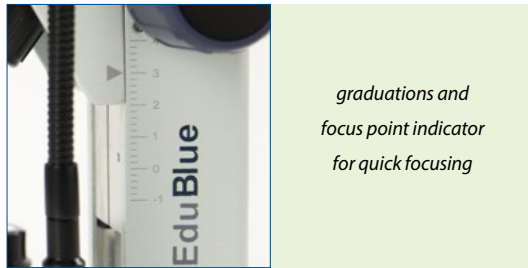
- Revolving nosepiece with triple 1x/2x/3x and 1x/2x/4x magnifications objectives, which can provide standard magnifications of 10x, 20x and 30x or 10x, 20x and 40x
- Working distance 60 mm
- Fields of view of 20/10/6.7 mm or 20/10/5mm
- Magnifications can be altered using optional eyepieces



Revolving nosepiece with triple magnification

STAND

The rack & pinion and pillar stands of the EduBlue are equipped with ergonomic flat bases, complete with two object clamps and Ø 60 mm transparent and black/white stage plates. The coarse adjustment is equipped with tension control. The stands are alloy metal casted with hardened coating. The rack & pinion models have graduations and focus point indicator for quick focusing. The EVO models are equipped with a build-in movable object stage

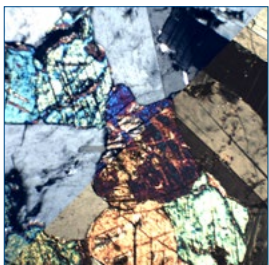


graduations and focus point indicator for quick focusing

DUAL ILLUMINATION SYSTEM

- 1 W white LED: 6000 – 6500 K, ideal for standard observations with crisp, cool lighting
- 1 W halogen colored LED: 3000 – 3200 K, enhances contrast for specific applications such as transparent objects

All EduBlue microscopes are supplied with rechargeable AA batteries for cordless operation and with external 5V DC power adapter



LED colored and halogen colored light

DIGITAL MODELS

Digital models are equipped with a 4 MP USB-2.0 1/1.8 inch sensor CMOS camera. Maximum resolution is 2688 x 1512 pixels, smaller resolutions are selectable. Delivered with ImageFocus Alpha for capturing of images and videos. This software also allows a full range of analyzing tools such as measurements on still and live images and annotations on captured images

For more information see chapter 8:
Digital solutions



● ED.1303-S Trinocular model

ANTI-THEFT SLOT

At the back of the microscope a Kensington Security slot is placed, which can be used to secure the instrument from theft

PACKAGE CONTENT

Supplied with 100-240 V mains adapter/charger, three rechargeable AA batteries, dust cover, eyecups and user manual. All packed in a polystyrene box



the build-in movable object stage of the EVO



● ED.1402-EVO

See chapter 8

MODELS	Bino	Trino	Digital head + WiFi	1x/3x objectives	2x/4x objectives	1x/2x/3x objectives	1x/2x/4x objectives	Pillar stand	Rack & pinion stand	Movable stage/ flexible light arm
ED.1302-P	•			•				•		
ED.1302-S	•			•					•	
ED.1303-S		•		•					•	
ED.1402-P	•				•			•		
ED.1402-S	•				•				•	
ED.1403-S		•			•				•	
ED.1405-SW			•		•				•	
ED.1502-S	•					•			•	
ED.1802-S	•						•		•	
ED.1805-SW			•				•		•	
ED.1302-EVO	•			•					•	•
ED.1402-EVO	•				•				•	•

ACCESSORIES AND SPARE PARTS

EYEPIECES

- ED.6005** Pair of HWF 5x/22 mm eyepieces
- ED.6010** Pair of HWF 10x/20 mm eyepieces
- ED.6015** Pair of HWF 15x/12 mm eyepieces
- ED.6020** Pair of HWF 20x/10 mm eyepieces
- ED.6110** HWF 10x/20 mm eyepiece with 10 mm/100 micrometer
- ED.6099** Pair of eyecups

MISCELLANEOUS

- ED.9570** Pair of object clamps for stage
- ED.9950** Stage plate frosted glass, opaque, Ø 60 mm
- ED.9956** Stage plate black/white, Ø 60 mm
- ED.4300** Aluminum transport case for EduBlue microscopes. Not suitable for the ED.3000
- AE.1112** Micrometer 76 x 26 mm slide, 50 mm/50 divisions
- SL.5504** LED replacement unit, incident illumination
- SL.5505** LED replacement unit, transmitted illumination

DISPOSABLES

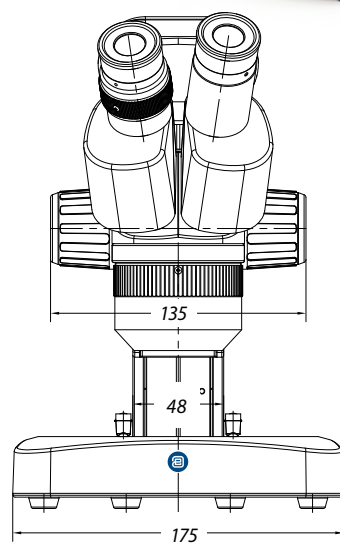
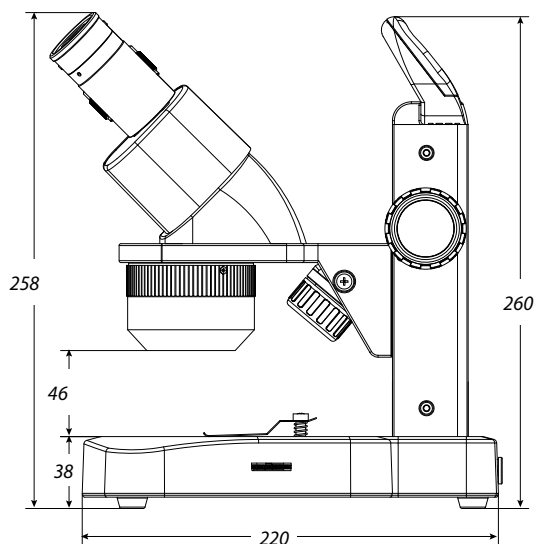
- PB.5245** Lens cleaning paper, 100 sheets per pack
- PB.5274** Isopropyl alcohol 99% (200 ml)
- PB.5275** Cleaning kit: lens cleaning fluid, lint free lens tissue, brush, air blower, cotton swabs
- PB.5276** Microscope maintenance and servicing kit, 16 pieces: cleaning brush, screwdriver set of 6, air blower, 3 Allen keys, 1.5, 2, 2.5 mm, lens cleaning fluid 20 ml, cleaning cloth 140 x 140 mm, 100 lens tissue sheets, tube of maintenance grease, 10 ml bottle of oil, packed in a nice toolbox



● ED.1405-SW



DIMENSIONS



about APL

Antimicrobial Protection Layer

TECHNICAL
FACTS



WHAT IS APL?

Using the same technology already used extensively throughout the healthcare environment in wall coatings, patient lighting, air pressure stabilization and suction liners, APL prevents the growth of unwanted microbes that can cause degradation, discoloration, staining or odors of the Euromex microscopes

DO CLEANING PRODUCTS AFFECT APL?

APL additives are embedded into the base material or coating and are therefore unaffected by abrasion or cleaning chemicals, such as chlorine bleach, disinfectants and alcohol. Even harsh industrial products, like MEK (methyl ethyl ketone), do not diminish the antimicrobial properties of products containing APL

Independent laboratory testing demonstrated a reduction of 99.99% in microbes after 24 hours

HOW DOES IT WORK?

1. The technology binds to the cell wall, disrupting growth
2. The technology interferes with the enzyme production stopping the cell producing energy
3. APL interrupts the cells DNA, preventing replication

WHY SILVER?

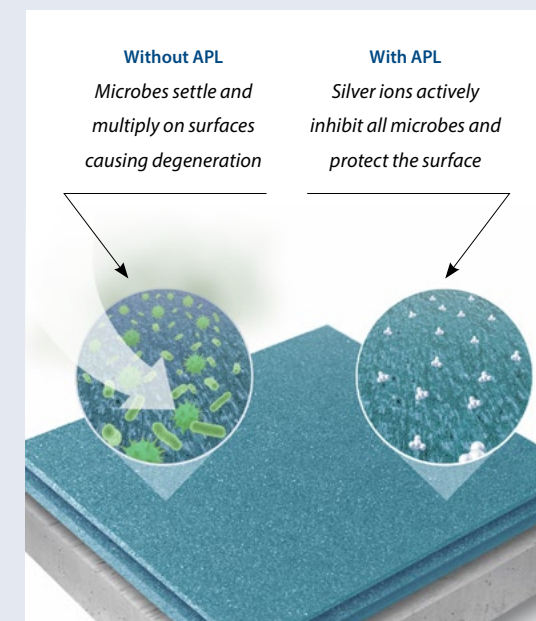
Silver is an element found naturally in the environment. Since ancient times silver has been highly regarded as a versatile antimicrobial tool which has health and environmental concerns. The additives we use are non-leaching and non-sensitizing

WILL APL WEAR OFF?

Once APL has been incorporated into a material it is essentially there to stay. Recent independent testing of a new paint range demonstrated no loss in antimicrobial performance even after 10 years of accelerated aging. Ionic silver based additives will not lose efficacy due to leaching or migration and since they are evenly dispersed throughout the material even scratches and abrasion do not affect the antimicrobial performance

LAST BUT NOT LEAST

The antimicrobial technology does not protect the user or others against disease causing organisms. The technology is not a substitute for good hygiene/and or cleaning practices



APL is in no way protecting the user, the protection is for the product

EDUCATION
STEREO MICROSCOPES

2

STEREO MICROSCOPES

EDUCATION
STEREO MICROSCOPES
2

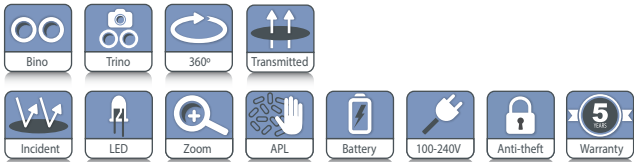


StereoBlue

StereoBlue microscopes are developed especially for laboratory applications, education. They are greatly appreciated by biologists, entomologists, geologists, mechanical and electronic engineers and other professionals such as jewelers and dental technicians



product information



● SB.1903



SB.1903 330 (h) x 220 (w) x 266 mm (d) 4.4 kg
SB.1903-P 299 (h) x 220 (w) x 266 mm (d) 5.1 kg
SB.1302/SB.1402 330 (h) x 220 (w) x 266 mm (d) 4.0 kg
SB.1302-P/SB.1402-P 299 (h) x 220 (w) x 266 mm (d) 4.7 kg

HIGHLIGHTS

- Designed for professional use
- Robust and sturdy
- WF 10x/21 mm eyepieces
- Dual magnifications or zoom models
- Available in ergonomic rack & pinion, pillar, universal and boom stands
- Double 3 W LED illumination
- Also available with batteries
- Ergonomic carrying grip
- 5 Years warranty

SPECIFICATIONS

EYEPIECES

Pair of WF 10x/21 mm eyepieces supplied with eyecups

HEAD

- Binocular or trinocular 45° inclined tubes
- Diopter adjustment on both eyepieces, except the models SB.1302-P/1402-P and SB.1302 /1402 , which have diopter adjustment on one side
- Interpupillary distance adjustable between 55 mm and 75 mm
- Trinocular head is supplied with a fixed light path beam splitter (50:50)

All optics are anti-fungus treated and anti-reflection coated for maximum light throughput

DUAL MAGNIFICATION OBJECTIVES

- Nosepiece with dual 1x/3x or 2x/4x revolving objectives
- Magnifications 10x/30x or 20x/40x
- Field of view 21 mm/6.9 mm or 10.5 mm/5.2 mm
- Working distance 100 mm

ZOOM OBJECTIVE

- Zoom stereo 0.7x to 4.5x parfocal objective
- Magnification from 7x to 45x
- Field of view 29.9 mm to 4.6 mm
- Working distance 100 mm



● Universal stand model SB.1902-U

EDUCATION
STEREO MICROSCOPES
2

STAND

The rack & pinion and pillar stands of the StereoBlue are equipped with ergonomic flat bases, complete with two object clamps and Ø 60 mm transparent and a black/white stage plate. The coarse adjustment is equipped with tension control

The ergonomically designed universal (single arm) and boom stand (dual arm) are ideal for looking at large samples or working under the microscope. They come without illumination. Suitable for e.g. ring illuminators LE.1973 and LE.1974. The stands are alloy metal casted with hardened coating



Built-in ringlight with 30 intensity adjustable LED's

ILLUMINATION

3 W transmitted and incident LED illuminators which can be used simultaneously. Model SB.3903 and SB.3903-P are equipped with 3 W transmitted and incident LED illuminators and a built-in 30 LED ringlight incident illuminator. The light intensities can be adjusted separately. Also available with batteries (add "B" after article number, e.g. SB.1302-PB)

CAMERAS

Euromex offers a wide range of cameras, see chapter 8 (Digital Solutions)

ANTI-THEFT SLOT

At the back of the microscope a Kensington Security slot is placed, which can be used to secure the instrument from theft (not on the U- and B-models)

PACKAGE CONTENT

Models with illumination are supplied with power cord, dust cover, eyecups, a spare fuse, Ø 60 mm transparent and black/ white stage plates and user manual. All packed in a polystyrene box



● SB.1302

● SB.1402-P

● SB.3903-P

MODELS	Bino	Trino	1x/3x objective	2x/4x objective	0.7 - 4.5x zoom	Rack & pinion stand 3 W LED	Pillar stand 3 W LED	Universal stand	Boom stand on heavy base plate	30 LED right light	Weight (kg)
SB.1302	•		•			•					3.3
SB.1302-P	•		•				•				4.2
SB.1402	•			•		•					3.3
SB.1402-P	•			•			•				4.2
SB.1902	•				•	•					3.6
SB.1902-P	•				•		•				4.4
SB.1902-U	•				•			•			15.4
SB.1902-B	•				•				•		21.9
SB.1903		•			•	•					3.7
SB.1903-P		•			•		•				4.5
SB.1903-U		•			•			•			15.5
SB.1903-B		•			•				•		22.0
SB.3903		•			•	•				•	3.7
SB.3903-P		•			•		•			•	4.5

MAGNIFICATIONS

WORKING DISTANCES AND FIELD OF VIEW SPECIFICATIONS

EYEPIECES - 10X/21 MM

Magnification additional lens	Working distance	Minimum magnification	Maximum magnification	Maximum field of view	Minimum field of view
0.5	179	3.5	22.5	59.9	9.3
0.75	105	5.3	33.8	40.0	6.2
Standard	100	7.0	45.0	30.0	4.6
1.5	53	10.5	67.5	19.9	3.1

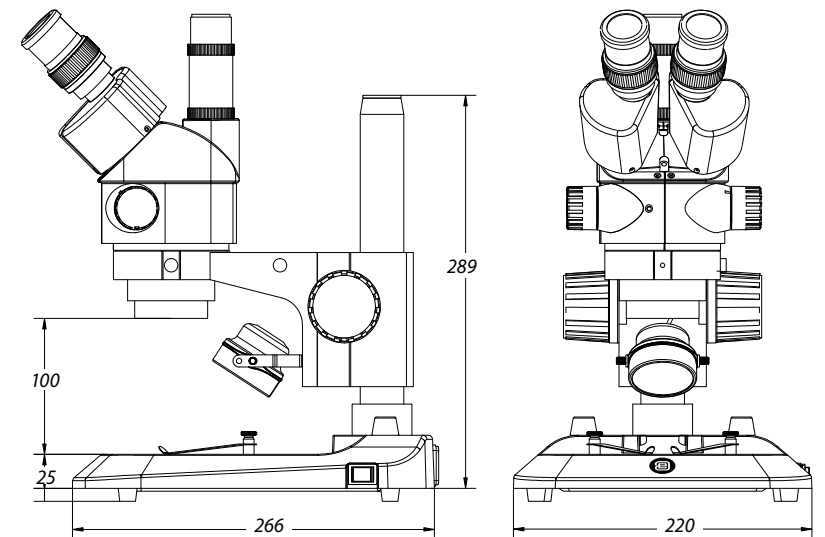
EYEPIECES - 15X/15 MM

Magnification additional lens	Working distance	Minimum magnification	Maximum magnification	Maximum field of view	Minimum field of view
0.5	179	5.3	33.8	42.9	6.7
0.75	105	7.9	50.6	28.6	4.4
Standard	100	10.5	67.5	21.4	3.3
1.5	53	15.8	101.3	14.3	2.2

EYEPIECES - 20X/10 MM

Magnification additional lens	Working distance	Minimum magnification	Maximum magnification	Maximum field of view	Minimum field of view
0.5	179	7.0	45.0	28.6	4.4
0.75	105	10.5	67.5	19.0	3.0
Standard	100	14.0	90.0	14.3	2.2
1.5	53	21.0	135.0	9.5	1.5

DIMENSIONS



ACCESSORIES AND SPARE PARTS

EYEPIECES

- SB.6210** Pair of WF 10x/21 mm eyepieces
- SB.6210-C** WF 10X/21 mm eyepiece with crosshairs
- SB.6210-M** WF 10X/21 mm eyepiece with micrometer scale
- SB.6015** Pair of WF 15x/15 mm eyepieces
- SB.6015-C** WF 15X/15 mm eyepiece with crosshairs
- SB.6015-M** WF 15X/15 mm eyepiece with micrometer scale
- SB.6020** Pair of WF 20x/10 mm eyepieces
- SB.6020-C** WF 20/10 mm eyepiece with crosshairs
- SB.6020-M** WF 20/10 mm eyepiece with micrometer scale
- SB.6099** Pair of eyecups

WF = wide field

AUXILIARY LENSES

- SB.8903** Auxiliary 0.3x lens for zoom models, WD 247 mm. Only suitable for boom and articulated stands
- SB.8905** Auxiliary 0.5x lens for zoom models, WD 169 mm. Not suitable for SB.1X02, SB.1X03, SB.3903 and SB.3903-P
- SB.8907** Auxiliary 0.75x lens for zoom models, WD 105 mm
- SB.8915** Auxiliary 1.5x lens for zoom models, WD 48 mm. Not suitable for SB.39xx

WD = working distance

MISCELLANEOUS

- SB.8950** Protection glass window for StereoBlue
- SB.9020** Universal single-arm stand without head holder and without illumination
- SB.9030** Universal double-arm stand without head holder and without illumination
- SB.9090** Head holder for SB.9020
- SB.9045** Fall protection ring for StereoBlue pillars. Note: the one- and double arm stands are as a standard supplied with this ring
- SB.9520** Polarization kit for StereoBlue: 360° rotatable circular stage with built-in polarization filter (SB.9524) and analyzer in mount to be screwed under the head (SB.9525)
- SB.9524** 360° rotatable circular stage with built-in polarization filter for StereoBlue

- SB.9525** 360° rotatable analyzer in mount to be screwed under the head of StereoBlue
- SB.9570** Pair of object clamps for stage
- SB.9952** Stage plate transparent, Ø 60 mm
- SB.9956** Stage plate black/white, Ø 60 mm
- SB.9983-R** 3 W LED replacement unit for StereoBlue, incident illumination
- SB.9983** 3 W LED replacement unit for StereoBlue, transmitted illumination
- AE.1112** Micrometer 76 x 26 mm slide, 50 mm/50 divisions

CAMERA ACCESSORIES

- SB.9850** C-mount adapter with 0.5x lens for 1/2" cameras. Only for trinocular models
 - AE.5130** Universal SLR camera adapter with 2x projection lens for 23.2 mm tubes. Needs T2 adapter
 - AE.5025** T2 adapter for Nikon D digital SLR cameras
 - AE.5040** T2 adapter for Canon EOS digital SLR cameras
- Other T2 adapters on request*

DISPOSABLES

- PB.5245** Lens cleaning paper, 100 sheets per pack
- PB.5274** Isopropyl alcohol 99% (200 ml)
- PB.5275** Cleaning kit: lens cleaning fluid, lint free lens tissues, brush, air blower, cotton swabs

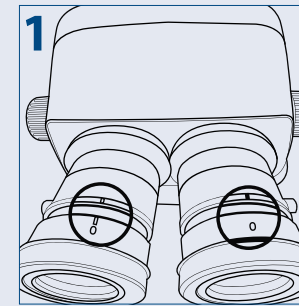


● SB.1903-B

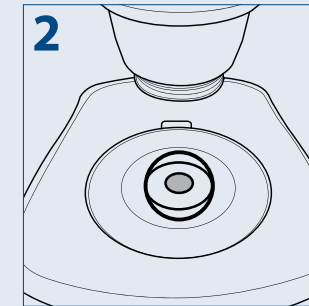
QUICK INSTALLATION

how to set up a stereo microscope

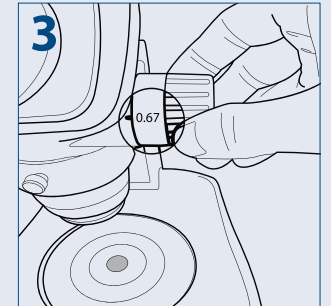
Setting up your stereo microscope properly is essential to getting parfocal images during the entire zoom range. It also prevents head aches, stressful eyes and fatigue. Below you will find a setup guide that will help get the best out of your microscope



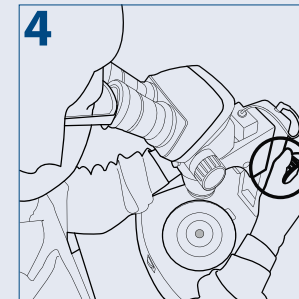
1 Turn the diopter adjustment rings of both eyepieces to position 0"



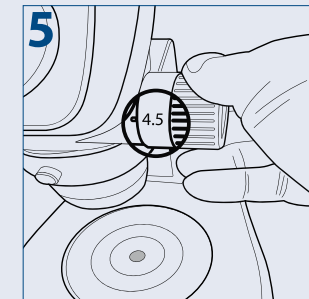
2 Put a specimen on the stage plate



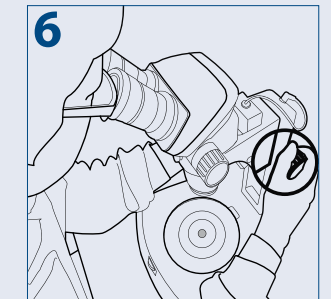
3 Turn the zoom adjustment knob to the lowest magnification



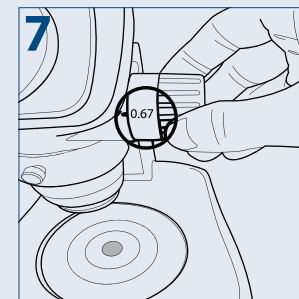
4 Rotate the focus adjustment knob to bring the specimen into focus



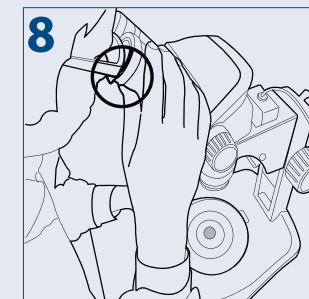
5 Turn the zoom adjustment knob to the highest magnification



6 Rotate the focus adjustment knob to bring the specimen into focus



7 Turn the zoom adjustment knob to the lowest magnification



8 Rotate the diopter adjustment rings of the left and right eyepiece to bring the specimen into focus

PLEASE NOTE

Put the zoom adjustment knob at the highest magnification again and check the image focusing. The diopter adjustment is complete when the image is accurately focused during zooming

If not, please repeat steps 3 to 8

STEREO MICROSCOPES

EDUCATION
STEREO MICROSCOPES

2



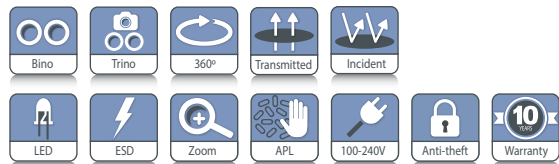
NexusZoom (EVO)

The NexusZoom and NexusZoom EVO stereo microscopes allow you to examine your specimen with high precision, generating three-dimensional images, suitable for your highest demanding applications. These top level zoom microscopes are perfect for analyzing all kinds of material surfaces or observing and preparing biological samples

These stereo microscopes can be supplied with a large choice of stands, with or without LED illumination. Ideal for a wide variety of applications. With additional lenses and objectives magnifications from 3.3 up to 220x can be achieved



product information



NZ.1903-S



NZ.1903-S / NZ.1703-S
339 (h) x 256 (w) x 311 mm (d) | 5.1 kg
NZ.1903-P / NZ.1703-P
299 (h) x 256 (w) x 311 mm (d) | 5.2 kg
For weight of other products see table

HIGHLIGHTS

- Binocular and trinocular heads with HWF 10x/22 mm or HWF 10x/23 mm eyepieces
- Zoom ratio 1 : 6.7, 6.7x to 45x or 1 : 8.4, 6.5x to 55x
- Ergonomic stands
- Double 3 W LED illuminations
- Configurations up to 220x magnification
- Large working distance (WD)
- 10 Years warranty



NZ.1903-M

NZ.1903-PG

EDUCATION
STEREO MICROSCOPES

2

SPECIFICATIONS

EYEPIECES

The standard NexusZoom is supplied with a pair of HWF 10x/22 mm eyepieces. The NexusZoom EVO is supplied with a pair of HWF 10x/23 mm eyepieces

HEAD

Binocular or trinocular heads with 45° inclined tubes. Both eyepieces with ± 5 diopter adjustments. Interpupillary distance adjustable between 54 mm and 75 mm. The trinocular head is supplied with a fixed light path beam splitter (50:50). The NexusZoom EVO models are now equipped with click-stops

OBJECTIVES

The standard NexusZoom is supplied with a 1:6.7 zoom objective with 0.67x to 4.5x magnifications, a field of view from 33 mm to 4.9 mm. WD 110 mm

The NexusZoom EVO is supplied with a 1:8.4 zoom objective with 0.65x to 5.5x magnifications, a field of view from 35.4 mm to 4.2 mm. WD 110 mm

All optics are anti-fungus treated and anti-reflection coated for maximum light throughput

AUXILIARY LENSES

For extra working distances the following auxiliary lenses are available for both the standard NexusZoom and NexusZoom EVO: 0.3x, 0.4x, 0.5x, 0.75x, 1.5x and 2.0x. For fields of view and working distances, see NexusZoom in chapter 6



NZ.1902-P

NZ.1902-S

POLARIZATION

The NexiusZoom and NexiusZoom EVO can be supplied with an optional 360° rotatable circular stage with built-in polarization filter and/or an optional rotatable analyzer filter in mount to be screwed under the objective

STAND

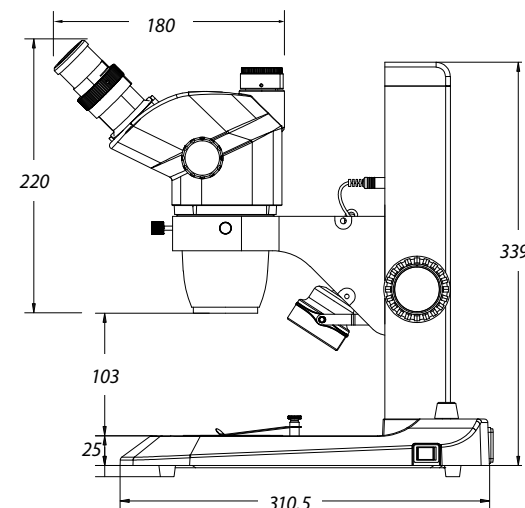
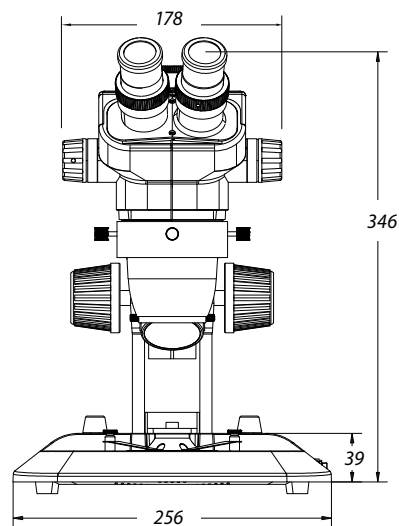
- Ergonomic pillar or rack & pinion stand with 3 W incident and 3 W transmitted LED illuminations (-P and -S stands)
- Ergonomic pillar stand with two 3 W gooseneck type incident LED illuminations on each side and a 3 W transmitted LED illumination (-PG stand)
- Ergonomic pillar stand with rotating mirror and 3 W LED transmitted and incident illuminations (-M stand)
- Ergonomic universal or boom stands, without illumination (-U and -B stands)
- Articulated arm stand for table mounting or with heavy base plate, both without head holder, without illumination (-A and AP stands)

All pillar and rack & pinion stands are supplied with two object clamps. Alloy metal cast, hardened coating

STAGE

180 x 155mm mechanical X-Y stage with 76 x 55 mm

DIMENSIONS



translation stage and transparent glass plate for NexiusZoom, fixed on stage of microscope. Only available with new microscopes (due to fixing), so it has to be ordered with the purchase of a microscope (See picture: NZ.9505 in accessories)

ILLUMINATION

3 W transmitted and incident LED illuminators with internal power supply 100-240 V. Both illuminators can be used simultaneously and the light intensities can be adjusted separately. The universal single or double arm stands and the articulated stands can be equipped with the ring illuminators LE.1974 and LE.1973 with respectively 72 or 144 power LEDs controlled in segments or with the LE.5212 illumination station, ideal for creating or lifting shades

ANTI-THEFT SLOT

At the back of the microscope a Kensington Security slot is placed, which can be used to secure the instrument from theft (only on the P-, PG- and S-models)

PACKAGE CONTENT

Supplied with power cord, a pair of eyecups, dust cover, a spare fuse and user manual. All packed in a polystyrene box

NEXIUSZOOM 0.67-4.5 (WF 10X/22MM)

MODELS	Bino	Trino	Pillar stand	Rack & pinion stand	Universal stand	Boom stand on heavy base plate	Articulated arm stand on table clamp	Articulated arm stand on heavy base plate	Gooseneck dual LED	Mirror LED	Weight (kg)
NZ.1902-P	•		•								5.0
NZ.1902-PG	•		•						•		5.1
NZ.1902-S	•			•							4.9
NZ.1902-U	•				•						15.6
NZ.1902-B	•					•					22.1
NZ.1902-A	•						•				8.6
NZ.1902-AP	•							•			20.7
NZ.1903-P		•	•								5.2
NZ.1903-PG		•	•						•		5.3
NZ.1903-M		•	•							•	5.1
NZ.1903-S		•		•							5.1
NZ.1903-U		•			•						15.7
NZ.1903-B		•				•					22.2
NZ.1903-A		•					•				8.7
NZ.1903-AP		•						•			20.8

NEXIUSZOOM EVO 0.65-5.5 (WF 10X/23MM)

MODELS	Bino	Trino	Pillar stand	Rack & pinion stand	Universal stand	Boom stand on heavy base plate	Articulated arm stand on table clamp	Articulated arm stand on heavy base plate	Gooseneck dual LED	Mirror LED	Weight (kg)
NZ.1702-P	•		•								5.0
NZ.1702-PG	•		•						•		5.1
NZ.1702-M	•		•							•	5.1
NZ.1702-S	•			•							4.9
NZ.1702-U	•				•						15.6
NZ.1702-B	•					•					22.1
NZ.1702-A	•						•				8.6
NZ.1702-AP	•							•			20.7
NZ.1703-P		•	•								5.2
NZ.1703-PG		•	•						•		5.3
NZ.1703-M		•	•							•	5.1
NZ.1703-S		•		•							5.1
NZ.1703-U		•			•						15.7
NZ.1703-B		•				•					22.2
NZ.1703-A		•					•				8.7
NZ.1703-AP		•						•			20.8

The NexiusZoom EVO models are now equipped with click-stops



NZ.1902-U

NZ.1903-B



NZ.1903-AP

NZ.1902-A

ACCESSORIES AND SPARE PARTS

HEADS & EYEPIECES

- NZ.5302** NZ binocular head 0.67-4.5x*
- NZ.5303** NZ trinocular head 0.67-4.5x*
- NZ.5312** NZ EVO binocular head 0.65-5.5x*
- NZ.5313** NZ EVO trinocular head 0.65-5.5x*

* without head holder

- NZ.6010** Pair of HWF 10x/22 mm eyepieces
- NZ.6010-C** HWF 10x/22 mm eyepiece only with crosshairs
- NZ.6010-CM** HWF 10x/22 mm eyepiece only with 10/100 micrometer and crosshairs
- NZ.6015** Pair of HWF 15x/16 mm eyepieces for NZ
- NZ.6020** Pair of HWF 20x/12 mm eyepieces for NZ
- NZ.6099** Pair of eyecups for NZ
- NZ.6210** Pair of HWF 10x/23 mm eyepieces for NZ EVO
- NZ.6210-C** HWF 10x/23 mm eyepiece only with crosshairs for NZ EVO
- NZ.6210-CM** HWF 10x/23 mm eyepiece only with 10/100 micrometer and crosshairs for NZ EVO
- NZ.6020-CM** HWF 20x/12 mm eyepieces with 10/100 micrometer and crosshairs

HWF = high wide field

AUXILIARY LENSES

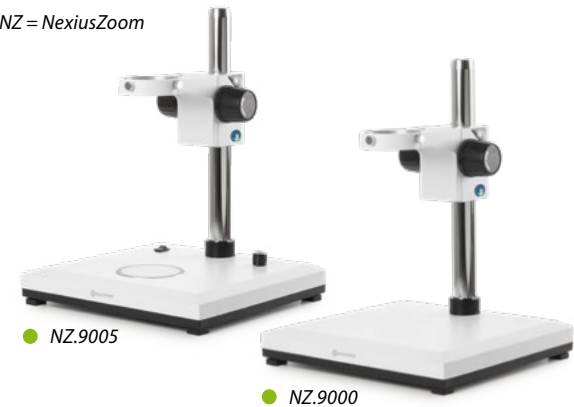
- NZ.8903** Additional 0.3x lens for NZ. WD 287 mm. Only suitable for A, AP, U, B and BC stands
- NZ.8904** Additional 0.4x lens for NZ. WD 220 mm. Only suitable for A, AP, U, B and BC stands
- NZ.8905** Additional 0.5x lens for NZ. WD 183 mm. Not suitable for S stands
- NZ.8907** Additional 0.75x lens for NZ. WD 105 mm
- NZ.8915** Additional 1.5x lens for NZ. WD 53 mm
- NZ.8920** Additional 2.0 lens for NZ. WD 34 mm. Not suitable for S stands

WD = working distance

STANDS

- NZ.9000** Ergo pillar stand without illumination
- NZ.9005** Ergo pillar stand with adjustable transmitted 3 W LED illumination
- NZ.9010** Ergo rack & pinion stand with incident and transmitted 3 W LED illuminators
- NZ.9015** Ergo pillar stand with incident and transmitted 3 W LED illuminators
- NZ.9018** Ergonomic pillar stand with two 3 W gooseneck type incident LED illuminations on each side and a 3 W transmitted LED illumination
- NZ.9020** Universal one-arm stand without NZ head holder
- NZ.9025** Black universal stand with table clamp without NZ head holder
- NZ.9027** Black universal stand with heavy baseplate without NZ head holder
- NZ.9030** Universal double-arm boom stand without NZ head holder
- NZ.9032** Universal two-arm stand with table clamp without NZ head holder
- NZ.9042** Stand with rotating mirror and indirect transmitted LED illumination
- NZ.9047** Lightweight articulated arm stand, with head holder, without illumination

NZ = NexiusZoom



NZ.9005

NZ.9000



NZ.8903 NZ.8904 NZ.8905 NZ.8907 NZ.8915 NZ.8920

HEAD HOLDERS

- NZ.9081** Head 76 mm holder for NexiusZoom head on articulated arm stand NZ.9025 and NZ.9027
- NZ.9090** NexiusZoom head holder, suitable for NZ.9000/9005/9015/9017/9020/9030 stands
- NZ.9095** NZ head holder, ADD-ON, with fine and coarse adjustment. For NZ.9000/9005/9015/9018/9020/9030/9032 and NZ.9042 stands. Only available with new microscopes



● NZ.9095

ILLUMINATION

- LE.5207** Multi-functional dual 3 W LED adjustable light source. Equipped with two flexible gooseneck arms with LED illuminator
- LE.5212** Euromex illumination station with two independently controlled goosenecks, a ringlight and a transmitted stage illuminator (see photos on opposite page)
- LE.5260** Interchangeable high power (standard) white 6,500K light guide for NZ.9018/LE.5207/LE.5212, 1 piece
- LE.5261** Interchangeable high power 365 nm flexible arm for NZ.9018/LE.5207/LE.5212, 1 piece
- LE.5262** Interchangeable high power 395 nm flexible arm for NZ.9018/LE.5207/LE.5212, 1 piece
- LE.5263** Interchangeable high power 420 nm flexible arm for NZ.9018/LE.5207/LE.5212, 1 piece
- LE.1974** Ring illuminator with 72 LEDs with adjustable light intensity. External power supply 110-240 Vac / 12 Vdc (50/60 Hz). With segment controller. Brightness of 20,000 Lux at 100 mm distance and color temperature of 6,500 K. Mounting for stereo head with diameter from 25 to 61 mm

- LE.1973** Ring illuminator with 144 LEDs with adjustable light intensity. External power supply 100-240 Vac / 12 Vdc (50/60 Hz). With segment controller. Brightness of 23,000 Lux at 100 mm distance and color temperature of 6,500 K. Mounting for stereo head with diameter from 25 to 61 mm
- LE.5210** Euromex cold light illuminator EK-1, 100 W halogen. 110 V and 230 V models available
- LE.5211** Euromex cold light illuminator, 150 W halogen. 110 V and 230 V models available

LE.5211-LED

- Euromex cold light illuminator LED, 30 W high power LED
- LE.5214** Dual arm light conductor, gooseneck self-sustaining, 50 cm long, Ø 4 mm core
- LE.5215** Triple arm light conductor, gooseneck self-sustaining, 50 cm long, Ø 4 mm core
- LE.5222** Focusing head suitable for focusing lens LE.5214 and LE.5215. Needs LE.5224
- LE.5224** Aspherical focusing lens for mounting in LE.5222
More illumination options, see chapter 9

STAGES

- NZ.9505** Mechanical 180 x 155 mm X-Y stage with 75 x 55 mm translation and transparent glass plate
- NZ.9524** 360° rotatable circular stage with built-in polarization filter for NZ
- NZ.9525** 360° rotatable analyzer in mount to be screwed under head of NZ
- AE.5168-NZ** Heating stage for NZ microscope stage



● NZ.9505

CAMERA ACCESSORIES

- NZ.9850** C-mount adapter with 0.5x lens for 1/2 inch cameras
- AE.5130** Universal SLR adapter with built-in 2x lens for standard 23.2 mm tube. Needs T2 adapter
- AE.5025** T2 adapter for Nikon D SLR digital camera
- AE.5040** T2 adapter for Canon EOS SLR digital camera

MISCELLANEOUS

- NZ.8950** Protection glass window for NZ
- NZ.9520** Polarization kit for NZ: 360° rotatable circular stage with built-in polarization filter (NZ.9524) + analyzer in mount to be screwed under head (NZ.9525)
- NZ.9040** Darkfield attachment for NZ
- NZ.9045** Fall protection ring for NexiusZoom pillars. Note: the one- and double arm stands are as a standard supplied with this ring
- NZ.9570** Pair object clamps for standard stage
- NZ.9572** Adjustable GEM object clamp for P, PL and S stand of NZ
- NZ.9950** Standard plexiglass object plate, opaque, with black border
- NZ.9956** Pair of object stage plates (black/white) Ø 90 mm
- NZ.9958** Standard glass object plate, opaque
- NZ.9983-R3** 3 W LED replacement unit for NZ, incident illumination
- NZ.9983** 3 W LED replacement unit for NZ, transmitted illumination
- AE.1112** Micrometer 76 x 26 mm slide, 50 mm/500 divisions, 100 µm per division
- NZ.4300** Aluminium case for NexiusZoom microscopes with -P/-S/-PG stands

DISPOSABLES

- PB.5245** Lens cleaning paper, 100 sheets per pack
- PB.5274** Iso propyl alcohol 99%, 200 ml
- PB.5275** Cleaning kit: lens fluid, lint free lens tissues/paper, brush, air blower, cotton swabs
- PB.5276** Microscope maintenance and servicing kit, 16 pieces: cleaning brush, screwdriver set of 6, air blower, 3 Allen keys, 1.5, 2, 2.5 mm, lens cleaning fluid 20 ml, cleaning cloth 140 x 140 mm, 100 lens tissue sheets, tube of maintenance grease, 10 ml bottle of oil, packed in a nice toolbox

NZ = NexiusZoom



● The LE.5212 in two different configurations



euromex.academy



STEREO MICROSCOPES

2 EDUCATION STEREO MICROSCOPES



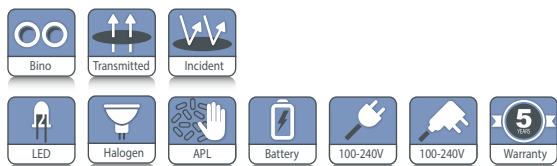
AP series

The microscopes of the AP series are designed specifically for educational purposes. The models are compact, robust and come with dual magnification revolvers and interchangeable objectives mounted in sliders

● AP-7 LED (50.926)



product information



AP-1	250 (h) x 120 (w) x 170 mm (d) 1.4 kg
AP-2	220 (h) x 120 (w) x 170 mm (d) 2.0 kg
AP-7 LED / AP-8 / AP-8 LED	286 (h) x 120 (w) x 190 mm (d) 2.4 kg

HIGHLIGHTS

- Small and robust
- Binocular heads with vertical or 45° inclined tubes
- Secured WF 10x/20 mm eyepieces
- Magnifications from 10 to 120x
- Pillar stands with and without illumination
- LED illumination for cordless use

SPECIFICATIONS

EYEPIECES

Pair of secured wide field eyepieces WF 10x/20 mm. Supplied with eyecups

HEAD

Binocular head with vertical or 45° inclined tubes. One tube is supplied with diopter adjustment. Interpupillary distance from 55 to 75 mm

OBJECTIVES

- The AP-1 and AP-2 come with a 2x magnification objective in slider
- The AP-7 LED models are supplied with revolving 1x/3x objectives for total magnification of 10 and 30x with fields of view from 20 to 6.7 mm
- The AP-8 and AP-8 LED models are supplied with revolving 2x/4x objectives for total magnification of 20 and 40x with fields of view from 10 to 5 mm

All optics are anti-fungus treated and anti-reflection coated for maximum light throughput



● AP-1 (50.890)

STAND

Pillar stand with a 40 mm coarse adjustment. Supplied with a black/white object plate and two object clamps

ILLUMINATION

- The AP-1 is supplied without illumination
- The AP-2 is supplied with an incident 10 W 12 V tungsten illumination and internal power supply
- The AP-8 models are supplied with a transmitted and incident 10W 12V tungsten illumination and internal power supply
- The AP-7 LED and AP-8 LED models are supplied with a transmitted and incident LED illumination with three rechargeable AA batteries for a maximum of 35 hours cordless operation. With external mains adapter/charger

2 EDUCATION STEREO MICROSCOPES

CAMERAS

Euromex offers a wide range of industrial and education grade cameras, see chapter 8 (Digital Solutions). The camera replaces one of the eyepieces



● AP-2 (50.900)

PACKAGE CONTENT

Supplied with power cord/adapter, three rechargeable AA batteries, dust cover, a spare fuse and user manual. All packed in a polystyrene box



● AP-8-LED (50.931)

MODELS

	Vertical head	45° head	2x objective	1x/3x objective	2x/4x objective	Transmitted tungsten illumination	Incident tungsten illumination	Transmitted LED illumination	Incident LED illumination
50.890 (AP-1)	•		•						
50.900 (AP-2)	•		•				•		
50.926 (AP-7 LED)		•		•				•	•
50.930 (AP-8)		•			•	•	•		
50.931 (AP-8 LED)		•			•			•	•

ACCESSORIES AND SPARE PARTS

EYEPIECES

- ED.6005** Pair of wide field eyepieces WF 5x/22 mm
- ED.6010** Pair of wide field eyepieces WF 10x/20 mm
- ED.6110** Micrometer eyepiece WF 10x/20 mm, 10 mm/100
- ED.6015** Pair of wide field eyepieces WF 15x/16 mm
- ED.6020** Pair of wide field eyepieces WF 20x/10 mm
- ED.6099** Pair of eyecups

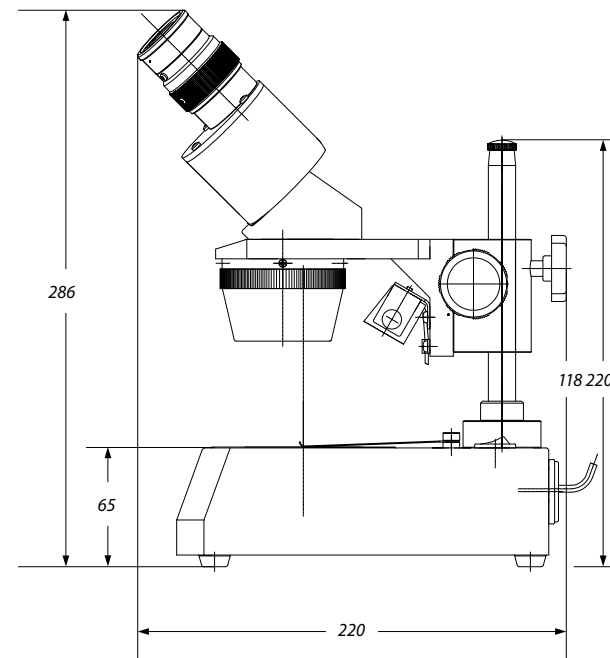
MISCELLANEOUS

- 50.871** Black/white stage plate Ø 94 mm for AP-7 LED, AP-8 and AP-8 LED models
- 50.873** Glass stage plate Ø 94 mm for AP-7 LED, AP-8 and AP-8 LED models
- ED.9956** Black/white stage plate Ø 60 mm (AP-1 and 2)
- 50.882** Spare halogen bulb 12 V (transmitted illumination)
- 50.884** Spare bulb 10 W 12 V for AP series
- 50.975** External 100-240 V mains adapter
- AE.1112** Micrometer slide, 50 mm/50 divisions

DISPOSABLES

- PB.5245** Lens cleaning paper, 100 sheets per pack
- PB.5274** Isopropyl alcohol 99% (200 ml)
- PB.5275** Cleaning kit: lens cleaning fluid, lint free lens tissue, brush, air blower and cotton swabs

DIMENSIONS



● Transparent stage plate for transmitted illumination

iScope

FEATURED

digital solutions

education • life science • industry



iScope

Discover the new digital heads for the iScope, Achios-X Observer, - Inverso and Delphi-X Observer, page 322

digital solutions



product information

- DIGITAL MICROSCOPES • 306
- MACROZOOMS • 326
- USB CAMERAS • 340
- WiFi CAMERAS • 344
- COOLED CAMERA • 345
- HD CAMERA • 346
- TABLET CAMERAS • 350
- SOFTWARE • 352
- ADAPTERS • 358

Get ready to discover the digital world of microscopy with the newest Euromex digital educational, laboratory and materials science products. The broad Euromex product range of digital cameras and digital microscopes with built-in camera offer the best matching solutions for your specific application needs

Euromex digital products incorporate all the latest available technology in this field, such as WiFi, HDMI, CMOS, HD-CMOS and sCMOS sensors, especially designed for fluorescent microscopy. Our digital solutions package includes the powerful ImageFocus software for image analysis

DIGITAL MICROSCOPES



MicroBlue

digital microscopes with built-in 5.0 MP USB-2.0 camera

The modern MicroBlue is an entry-level microscope, especially appreciated when budgets are limited. There are two versions of the digital MicroBlue; one with a built-in digital camera, the other with an LCD screen. Available with plain or integrated mechanical X-Y stage. All models are equipped with 35 mm achromatic objectives



- Mono
- 360°
- Transmitted
- LED
- Abbe
- ImageFocus
- APL
- Digital
- LCD
- USB
- Battery
- 100-240V
- Anti-theft
- 2 Years Warranty
- 5 Years Warranty



● MB.1055

MB.1055
320 (h) x 151 (w) x 202 mm (d) | 2.4 kg
MB.1051-LCD
378 (h) x 179 (w) x 202 mm (d) | 2.48 kg

HIGHLIGHTS

- New back panel with smart storage solutions
- Dual Illumination System: white & halogen colored LED
- Universal USB-C 5V Power
- Economic microscopes for education
- Built-in digital 1.3 or 5.0 MP USB-2.0 camera
- 7 inch LCD screen
- Ergonomic carrying grip
- 5 Years warranty (2 years on camera)



● Back panel of the MicroBlue

SPECIFICATIONS

CAMERA

All the MicroBlue build-in digital camera microscopes are equipped with:

- 1.3 MP 1/2.5" CMOS USB-2.0 camera, 2560 x 1920, max. 30 fps*, ImageFocus 4 software
- a 5.0 MP 1/2.8" CMOS USB-2.0 camera, 1720 x 952 pixels, max. 30 fps*, ImageFocus Plus software
- USB-2.0 cable and a 1 mm/100 calibration slide
- Warranty for the camera is two years

SOFTWARE

- The capture and analysis ImageFocus software allows to save images in .jpg, .tif, .bmp or .dicom formats as well as .avi format videos
- Measurements and annotations can be done on live or captured images

- Compatible with Windows 10 and higher, both 32 and 64 bits configurations. A MacOS version is also available
 - Free software can be downloaded on our website
- For full microscope specifications and accessories see chapter 1: Biological microscopes

LCD SCREEN

- All the MicroBlue LCD microscopes are equipped with 7" IPS LCD screen
 - Screen resolution 1920 x 1080 @ 30 fps*
 - Save images and videos directly to micro SD card
 - Image resolution up to 1844 x 1080 in .JPEG format
 - Video resolution 1280 x 720 .AVI format
 - Basic measurement function (line) with calibration. Calibration slide available as option
 - Warranty for the screen is 2 years
- *Frame rates were determined at optimal conditions

MODELS	Digital LCD	Digital mono	Maximum objectives	4/10/540x objectives	S60x objective	S100x oil objective	Mechanical X-Y stage	Abbe condenser	LED	Batteries
MB.1001-LCD	•		3	•					•	•
MB.1051-LCD	•		4	•			•	•	•	•
MB.1055-X		•	4	•			•	•	•	•
MB.1655-X		•	4	•	•		•	•	•	•
MB.1155-X		•	4	•		•	•	•	•	•

-X = -1; model equipped with 1.3 MP camera
-X = -5; model equipped with 5.0 MP camera

DIGITAL MICROSCOPES



● EC.1005

EcoBlue

digital microscopes
with built-in
5.0 MP USB-2.0 camera

The digital microscopes are equipped with WF 10x/18mm eyepieces, a quadruple nosepiece, achromatic objectives, a 123 x 119 mm stage with two clamps or mechanical X-Y stage, Abbe condenser and a 1 W LED illumination with integrated 100-240 V power supply



product information

- Mono
- 360°
- Transmitted
- Dual LED
- NeoLED
- Abbe
- Zoom
- APL
- Digital
- USB
- 100-240V
- Anti-theft
- 2 Year Warranty
- 5 Year Warranty

EC.1105 / EC.1005
355 (h) x 270 (w) x 220 mm (d) | 2.6 kg



HIGHLIGHTS

- Economic microscopes for education
- Monocular and binocular models
- Built-in digital 5.0 MP USB-2.0 camera
- Color coded condenser
- Dual illumination system:
white & halogen colored (Neo)LED
- All models have rechargeable AA batteries and external 100-240 Vac mains/charger adapter
- Ergonomic carrying grip
- 5 Years warranty (2 years on camera)



SPECIFICATIONS

CAMERA

All the EcoBlue digital microscopes are provided with a 5.0 MP 1/2.8" CMOS USB-2.0 camera, a maximum of resolution 2560 x 1920, 24 bits color depth, up to 30 fps*. USB-2.0 cable and a 1 mm/100 calibration slide

SOFTWARE

The capture and analysis ImageFocus Plus software allows you to save images in .jpg, .tif, .bmp or .dicom formats as well as .avi format videos. Measurements and annotations can be

- EcoBlue supplied with achromatic objectives

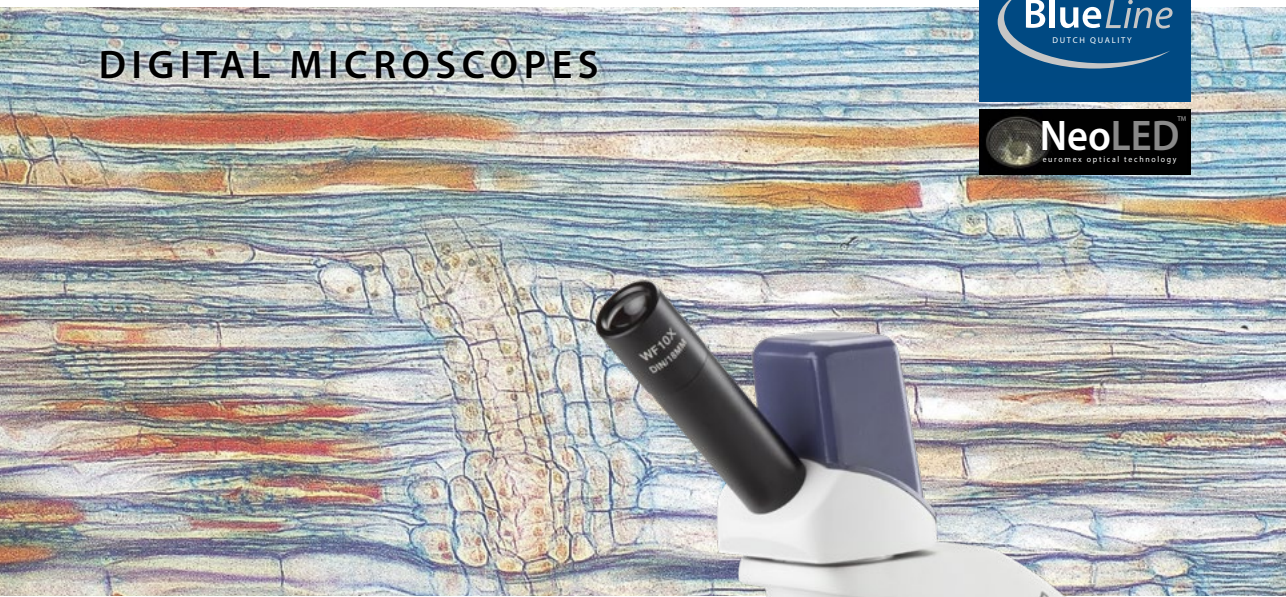
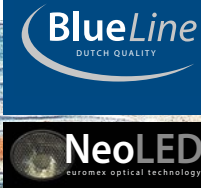
done on live or captured images. Compatible with Windows 10 and higher, both 32 and 64 bits configurations. A MacOS version is also available. Free software can be downloaded from our website

For full microscope specifications and accessories see chapter 1: Biological microscopes

* Frame rates were determined at optimal conditions

MODELS	Monocular	Binocular	4x, 10x, 540x objectives	S60x objective	S100x oil objective	Mechanical X-Y stage	1 W Dual color LED	1 W Dual color NeoLED™
EC.1005	•		•				•	
EC.1105	•		•		•		•	
EC.1607		•	•	•				•
EC.1055	•		•			•	•	
EC.1155	•		•		•		•	
EC.1157		•	•		•	•		•
EC.1657		•	•	•		•		•

DIGITAL MICROSCOPES



BioBlue

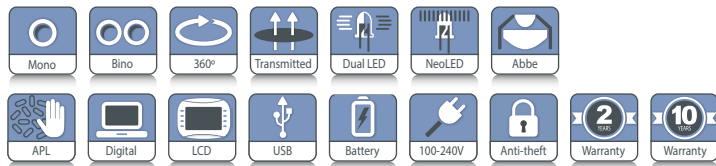
digital microscopes

Digital microscopes are available with the traditional eyepieces included, with or without a windows tablet and a fully digital version that is supplied with an LCD screen only

The digital models of the BioBlue set a new standard in digital microscopy, with high quality imaging, both optically and digitally. The general microscope specifications, like the mechanical X-Y stage and objectives are identical to the non-digital microscopes, found in chapter 1



product information



BB.4225 / BB.4245 / BB.4255
 340 (h) x 155 (w) x 230 mm (d) | 3.4 kg
BB.4267 / BB.4269
 360 (h) x 155 (w) x 230 mm (d) | 4.1 kg



● BB.4225



HIGHLIGHTS

- New back panel with smart storage solutions
- Dual Illumination System: white & halogen colored LED
- Universal USB-C 5V Power
- Monocular and binocular models
- Models with a 7" LCD screen
- Reserved quadruple nosepiece for semi plan objectives
- Built-in digital 5.0 MP USB-2.0 camera
- Integrated mechanical X-Y stage
- LED and NeoLED™ illumination
- Cordless operation
- 10 Years warranty (2 years on camera)

SPECIFICATIONS

MODELS WITH 5 MP CAMERA

All the BioBlue digital microscopes are equipped with a 5.0 MP 1/2.8" CMOS USB-2.0 camera, a maximum of resolution 2560 x 1920, 24 bits color depth, up to 30 frames per second* Supplied with USB-2.0 cable and a 1 mm/100 calibration slide

SOFTWARE

The capture and analysis ImageFocus Plus software allows to save images in .jpg, .tif, .bmp or .dicom formats as well as .avi format videos. Measurements and annotations can be done on live or captured images. Compatible with Windows 10 and higher, both 32 and 64 bits configurations. A MacOS version is also available. Free software can be downloaded from our website



● BB.4220-LCD

MODELS WITH LCD SCREEN

The BioBlue is also available with a 7" LCD screen, with all the features of the regular BioBlue. This screen allows live viewing, saving images and videos directly to a micro SD card and even has a basic line measurement function included. The LCD screen can only be operated as a stand alone.

Screen resolution 1920 x 1080 @ 30 fps*, image resolution up to 1844 x 1080 in JPG and video resolution 1280 x 720 AVI format
 For full microscope specifications and accessories see chapter 1: Biological microscopes

* Frame rates were determined at optimal conditions

MODELS	Mono	Bino	LCD	Tablet	4/10/40x SMP objectives	Semi plan S60x objective	Semi plan S100x oil objective	Integrated X-Y stage	1 W Dual color LED	1 W Dual color NeoLED™
BB.4205	•				•					
BB.4225	•				•			•		
BB.4245	•				•	•		•		
BB.4255	•				•		•	•		
BB.4267		•			•		•	•		•
BB.4269		•			•		•	•		•
BB.4200-LCD			•		•				•	
BB.4220-LCD			•		•				•	
BB.4267-T	•			•	•		•	•		•
BB.4269-T	•			•	•	•		•		•

MODELS WITH TABLET AND 5 MP CAMERA

The 5.1 MP CMOS camera ensures excellent color reproduction and is connected to a Windows tablet PC with vivid color graphic display for enabling visualisation of microscopic samples and enjoying the great features of our ImageFocus image analysis software. The tablet represents a 2-in-1 solution as it can be disconnected and used as a real windows tablet. Being Windows-based and due to its large touch screen of 12.1" users are sure to have responsive and smooth control

SPECIFICATIONS

Software and camera as above (5 MP + ImageFocus Plus)

- Processor** Quad Core max 3.3 GHz HD graphics processor
- Screen** 12.1 inch IPS 2160*1440 / 3:2
- Memory** 12 GB
- Storage** 512 GB Flash HDD, micro SD/SDHC slot for cards up to 64 GB
- Webcam** 2 MP front and 5MP rear camera
- Connectivity** Micro USB 2.0, Micro HDMI, USB-C, WiFi 6 and Bluetooth 4.0
- Audio** Stereo with 3.5 mm audio jack, internal microphone and speaker
- Battery** Lithium, 38Wh, 5000mA
- Weight** 0.8 KG (tablet) 4.8 kg (complete)
- System** Windows 11
- Software** ImageFocus Plus

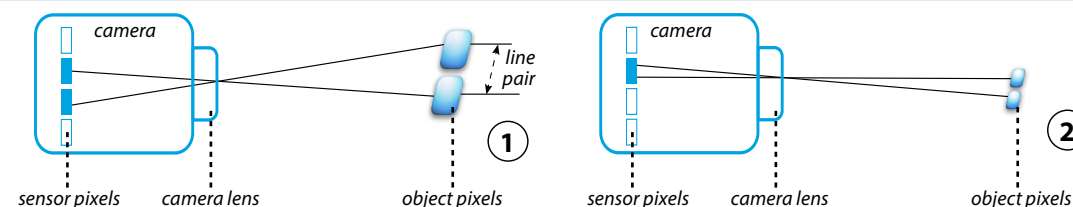


about

camera resolution and limits

Resolution of a camera system is the ability to reproduce object detail on screen. In practice it is depending on factors such as the good lighting of the object, the sensor pixel size and the capabilities of the optics. The smaller the object detail, the higher the required resolution

The highest frequency – expressed as line pair per mm that can be resolved – is 2 pixels or one line pair, the so-called **Nyquist frequency**



① Space between objects is large enough to be detected by minimum two pixels of the camera sensor

② Space between objects is too small to be detected by minimum two pixels of the camera sensor

THE LIMITING SENSOR RESOLUTION

(image space resolution) of a camera is commonly calculated as:

$$\left(\frac{1 \text{ lp}}{2 \times s} \right) \times \left(\frac{1000 \mu\text{m}}{1 \text{ mm}} \right)$$

whereby s = pixel size (in μm) and expressed as line pair per mm (Lp/mm)

The formula shows that a sensor with smaller pixels will have higher image space resolution:

Pixel size	Image Space resolution
1.67	229 LP/mm
2.2	227 LP/mm
3.45	145 LP/mm
5.5	90 LP/mm

Considering the Euromex DC.18000-Pro 2/3 inch camera which is equipped with 4921 x 3684 pixels camera on a 8.6 x 6.6 mm large sensor

THE NYQUIST IMAGE SPACE RESOLUTION

can also be calculated as 1/2 x sampling pixels/mm (Lp/mm) or:

- **Horizontal**
4921 / 8.6 = 572 (sampling pixels) x 0.5 = 286 Lp/mm

- **Vertical**
3684 / 6.6 = 558 (sampling pixels) x 0.5 = 279 Lp/mm

The Nyquist object space resolution or the smallest detail that could be theoretically resolved is then equal to:

1000 mm / (286 Lp/mm) or 3.5 μm

However, taken into account the manufacturing limitations and inevitable optical aberrations, the real image space resolution can be calculated as:

1/2 x Kell factor (approx 0.70) x sampling pixels (Lp/mm) or:

- **Horizontal**
4921 / 8.6 = 572 (sampling pixels) x 0.35 = 200 Lp/mm

- **Vertical**
3684 / 6.6 = 558 (sampling pixels) x 0.35 = 195 Lp/mm or approx. 1000 mm / 200 Lp/mm or 5 μm

In comparison, the by physics diffraction limited object space resolution (smallest detail that ever can be observed through the eyepieces of a optical compound microscope, is around 0.20 μm)



DIGITAL MICROSCOPES



BlueScope

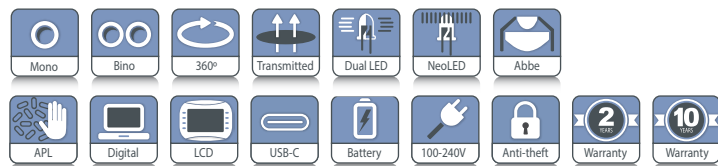
digital microscopes

The digital models of the blueScope are among the advanced in digital microscopy, with high quality imaging, both optically and digitally. Versions with traditional eyepieces and a digital camera, fully digital versions or a combination with a windows tablet are available

The general microscope specifications, like the mechanical stage and objectives are identical to the non-digital microscopes found in chapter 1 or 2



● BL.1057-T



BB.4225 / BB.4245 / BB.4255
340 (h) x 155 (w) x 230 mm (d) | 3.4 kg
BB.4267 / BB.4269
360 (h) x 155 (w) x 230 mm (d) | 4.1 kg

HIGHLIGHTS

- Monocular and binocular models
- Full digital models with a 7" LCD screen
- Models with a windows tablet
- Dual Illumination System: white & halogen colored LED
- Universal USB-C 5V Power
- Built-in digital 5.0 MP USB-2.0 camera
- 10 Years warranty (2 years on camera)

SPECIFICATIONS

CAMERA

The digital bScope microscopes are equipped with a 5.0 MP 1/2.5 inch CMOS USB-2.0 camera, 24 bits color depth, 7 frames per second (2592 x 1944 pixels) or 27 frames per second (1280 x 960 pixels)*. Dynamic range is 76 dB and signal/noise ratio 41 dB. Supplied with USB-2.0 cable and a micrometer 1mm/100 calibration slide

SOFTWARE

The capture and analysis ImageFocus Alpha software allows to save images in .jpg, .tif, .bmp or .dicom formats as well as .avi format videos. Measurements and annotations can be done on live or captured images. Compatible with Windows 10 and higher, both 32 and 64 bits configurations. A MacOS version is also available. Free software can be downloaded from our website

MODELS WITH TABLET AND 5 MP CAMERA

The 5.0 MP CMOS camera ensures excellent color reproduction and is connected to a Windows tablet PC with vivid color graphic display for enabling visualization of microscopic samples and enjoying the great features of our ImageFocus image analysis software. The tablet represents



● BL.1050-LCD

a 2-in-1 solution as it can be disconnected and used as a real windows tablet. Being Windows-based and due to its large touch screen of 10.1" users are sure to have responsive and smooth control

SPECIFICATIONS

Software and camera as above (5 MP + ImageFocus Alpha)

MODELS WITH LCD SCREEN

The BlueScope is also available with a 7" LCD screen, with all the features of the regular BioBlue. This screen allows live viewing, saving images and videos directly to a micro SD card

and even has a basic line measurement function included. The HD LCD screen can only be operated as a stand alone.

Screen resolution 1920 x 1080 @ 30 fps, image resolution up to 1844 x 1080 in JPG and video resolution 1280 x 720 AVI format

* Frame rates were determined at optimal conditions

For full microscope specifications and accessories see chapter 1 or 3

DIGITAL MICROSCOPES



HIGHLIGHTS

- Economical binocular models
- Universal USB-C 5V Power
- Dual illumination system (see EduBlue chapter 2)
- Dual and triple magnification objectives
- Cordless operation
- Built-in digital 4.0 MP USB-2.0 camera
- Models with and without WiFi
- LED illuminators
- Ergonomic carrying grip
- 5 Years warranty (2 years on camera)

• Triple magnification

SPECIFICATIONS

USB CAMERA

These EduBlue digital microscopes are provided with a 4.0 MP 1/1.8" CMOS USB-2.0 camera, a maximum resolution of 2688 x 1512, 24 bits color depth, up to 30 frames per second*. Supplied with USB-2.0 cable and a 1 mm/100 calibration slide

SOFTWARE

The capture and analysis ImageFocus Alpha software allows to save images in .jpg, .tif, .bmp or .dicom formats as well as .avi format videos. Measurements and annotations can be done on live or captured images. Compatible with Windows 10 and higher, both 32 and 64 bits configurations. A MacOS version is also available. Free software can be downloaded from our website

WIFI + USB CAMERA

These EduBlue digital microscopes are provided with a 4.0 MP 1/1.8" CMOS USB-2.0 WiFi camera, a maximum resolution of 2688 x 1512, 24 bits color depth, up to 30 frames per second. Connects to ethernet, computer or mobile device. Supplied with USB-2.0 cable and a 1 mm/100 calibration slide

SOFTWARE

The capture and analysis ImageFocus Alpha software allows to save images in .jpg, .tif, .bmp or .dicom formats as well as .avi format videos. Measurements and annotations can be done on live or captured images. Compatible with Windows 10 and higher, both 32 and 64 bits configurations. A MacOS version is also available. Free software can be downloaded from our website

*Frame rates were determined at optimal conditions
For full microscope specifications and accessories see chapter 2: Stereo microscopes

EduBlue

digital microscopes with built-in 4.0 MP USB-2.0 camera

The EduBlue stereo microscopes are designed specifically for educational purposes and are equipped with WF 10x/20 mm eyepieces, a revolving nosepiece with double or triple magnification objectives



• ED.1805-SW

With transmitted and incident 1 W LED illuminations, 60 mm working distance. Supplied with three rechargeable AA batteries for corded and cordless operation. Also supplied with an external power supply

ED.1X05-S / ED.1X05-SW
260 (h) x 175 (w) x 220 mm (d) | 2.4 kg

MODELS	Binocular	2x/ 4x objectives	1x/ 2x/ 4x objectives	USB + WiFi + LAN camera	Software	Connectivity	Rack & pinion stand
ED.1405-SW	•	•		•	IF Alpha	Windows, Apple, Android, USB 2.0, WiFi	•
ED.1805-SW	•		•	•	IF Alpha	Windows, Apple, Android, USB 2.0, WiFi	•

DIGITAL MICROSCOPES



EduBlue LCD

digital microscope
with built-in
5.0 MP camera

The EduBlue LCD microscope is built around one 1 to 4 times zoom objective and enables observation of all kinds of objects directly on a 9" LCD screen. These kinds of microscopes are well-suited for education

The EduBlue LCD is equipped with a built-in 5 MP high-definition CMOS camera with 2592 x 1944 pixels



-
-
-
-
-
-
-
-
-
-



• ED.3000

ED.3000
425/475 (h) x 180 (w) x 230 mm (d) | 2.3 kg



• Adjustable screen

HIGHLIGHTS

- MonoZoom stand-alone digital microscope
- Magnification 8x up to 54x optically and up to 540x digitally
- 91 mm working distance
- Built-in 21 LED incident ringlight, five intensity positions
- Built-in 7 LED transmitted, two intensity positions
- Built-in 5 MP HD camera
- HD 9-inch screen
- Universal USB-C 5V Power
- Metal stand
- 3 Years warranty (2 years on camera)

SPECIFICATIONS

CENTRAL ZOOM OBJECTIVE

The EduBlue LCD ED.3000 features a single optical zoom objective with a 0.7 to 4.5 zoom. This allows an on-screen magnification from 8 to 54x. Zoom adjustments engravings on 0.7x 0.8x 1x 1.5x 2x 3x 4x and 4.5x. The working distance is 91 mm. A digital zoom up to 10x is available within the software, allowing a digital magnification up to 540x

STAND

The central Zoom Objective with attached screen and LED ringlight is mounted on a rack and pinion system that sits on a 30 x 180 mm metal stand

ILLUMINATION

- Two types of illumination are available;
- An integrated 21 LED incident ringlight illumination (5.500 K) with five intensity positions
 - A 7 LED transmitted illumination (5.785 K) with two intensity positions, integrated in the base

BUILT-IN CAMERA

Built-in HD 5 MP CMOS high speed (60 fps) camera with attached 9" screen. There is one USB port for a max. 16 GB SD storage card for captured images. The operator can take and save images to the SD card by pressing on a capture button at the left side of the screen. Images are saved in the .jpg format and videos are saved in .avi format

BUILT-IN SOFTWARE

The built-in on screen software is driven by the supplied computer mouse and features functions such as Capture image, Freeze image, Automatic white balance, Automatic exposition, File manager, Grids. Also camera settings such as Exposure time, Gain, Saturation, Contrast, Sharpness and HDR

PACKAGE CONTENT

Supplied with 16 GB SD card, black/white object plate, a glass transparent object plate and external 12V / 2A power supply

DIGITAL MICROSCOPES

bscope

NeoLED™
euromex optical technology



bScope

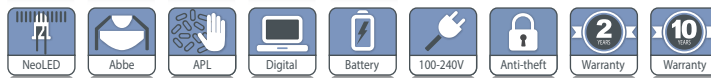
digital microscopes
with built-in
5.0 MP USB-2.0 camera

The versatile and evolutive bScope microscopes are well-equipped and intensively used in universities, small to mid-sized laboratories and for veterinary applications

The digital bScope comes with WF 10x/20 mm eyepieces and is exclusive available in binocular versions. Complete with E-plan IOS and Plan IOS infinity corrected objectives for brightfield observations



product information



● BS.1157-EPLi



BS.1157-PLi
409 (h) x 195 (w) x 235 (d) | 7.1 kg

HIGHLIGHTS

- Binocular model
- Color coded condenser
- Diopter adjustment on both tubes
- Integrated 5.0 MP CMOS color USB.2 camera
- 2592 x 1944 pixels
- 7 frames per second (2592 x 1944 pixels)*
- 27 frames per second (1280 x 960 pixels)*
- 10 Years warranty (2 years on camera)

SPECIFICATIONS

CAMERA

The digital bScope microscopes are equipped with a 5.0 MP 1/2.5 inch CMOS USB-2.0 camera, 24 bits color depth, 7 frames per second (2592 x 1944 pixels) or 27 frames per second (1280 x 960 pixels)*. Dynamic range is 76 dB and signal/noise ratio 41 dB. Supplied with USB-2.0 cable and a micrometer 1mm/100 calibration slide

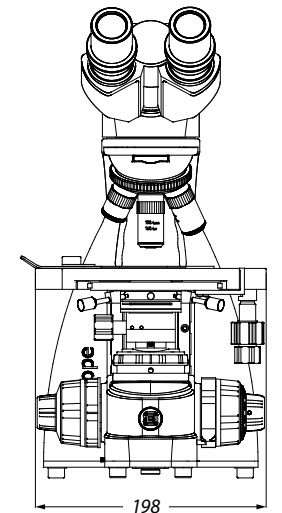
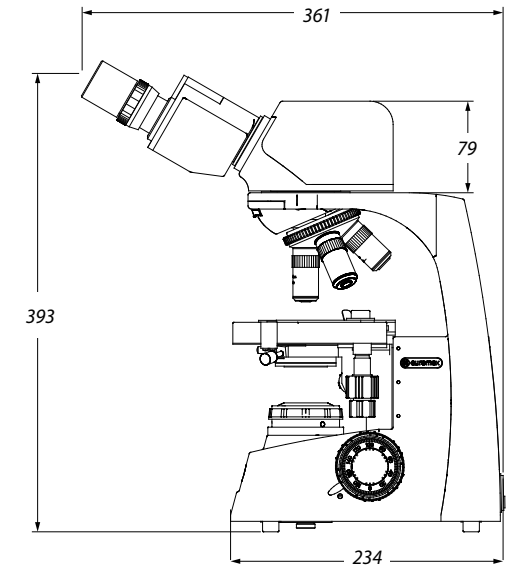
SOFTWARE

The capture and analysis ImageFocus Alpha software allows to save images in .jpg, .tif, .bmp or .dicom formats as well as .avi format videos. Measurements and annotations can be done on live or captured images. Compatible with Windows 10 and higher, both 32 and 64 bits configurations. A MacOS version is also available. Free software can be downloaded from our website

* Frame rates were determined at optimal conditions

For full microscope specifications and accessories see chapter 1 or 3

DIMENSIONS



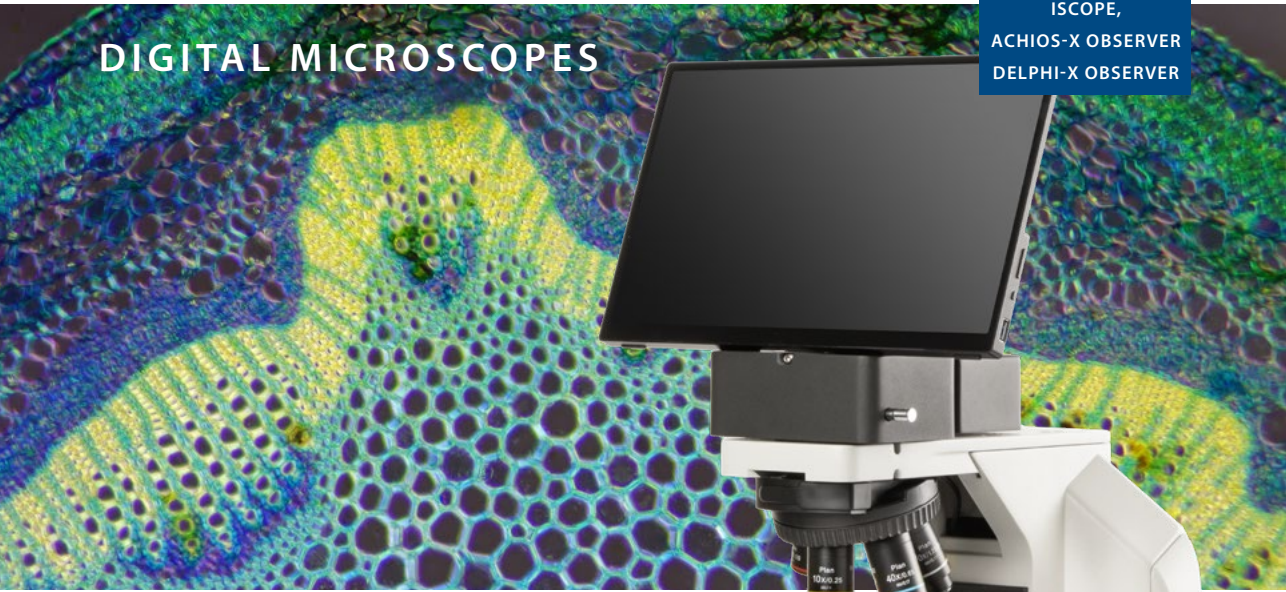
MODELS

	binocular head	HWF 10x/20 mm eyepieces	Quintuple nosepiece E-plan IOS 4/10/S40/S100x oil	Quintuple nosepiece plan IOS 4/10/S40/S100x oil	Köhler NeoLED™
BS.1157-EPLi	•	•	•		•
BS.1157-PLi	•	•		•	•

All models can optionally be supplied with three rechargeable AA batteries

DIGITAL MICROSCOPES

ISCOPE,
ACHIOS-X OBSERVER
DELPHI-X OBSERVER



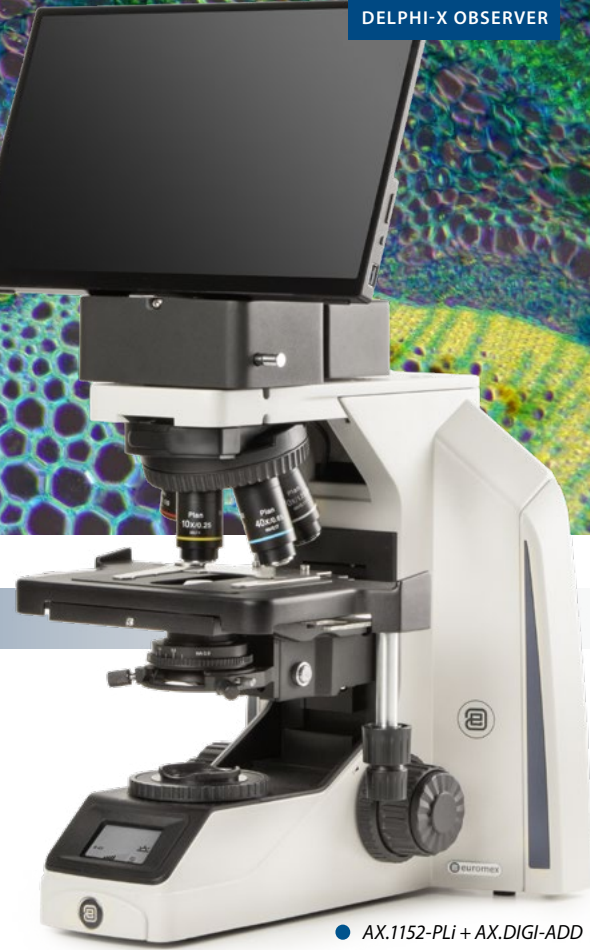
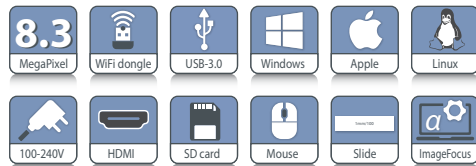
Digital microscopes

iScope, Achios-X Observer, Achios-X Inverso and Delphi-X Observer

This digital solution for the iScope, Delphi-X Observer, Achios-X Observer and Achios-X Inverso microscopes uses an Ultra HD camera together with a high resolution 13" screen, to bring the most vivid images directly to you. This is extremely useful for demonstrations or for educational applications

This digital solution can work in two modes:

- A stand-alone mode, where the mouse driven built-in software enables the capturing of images and recording of videos as well as a full range of measuring functions and playback functions



● AX.1152-PLi + AX.DIGI-ADD

No PC startup delay and no need for any computer knowledge

- The option either to be connected to a PC, or to stream images to different WiFi enabled devices, such as smartphones, tablets or computers

HIGHLIGHTS

- Extremely useful for discussions, demonstrations and education
- Real time images directly on 13"HD screen
- 3840 x 2160 pixels, 60 fps*, H264 codec
- Ultra HD 2160p, 8.3 MP, 1/8 inch color 4K Sony sensor
- Built-in mouse-driven software
- Interfaces: HDMI, USB-3, Ethernet, WiFi
- Stand alone mode or with computer



● IS.1152-PLi + IS.DIGI-ADD



● DX.1152-PLi + DX.DIGI-ADD

* Frame rates were determined at optimal conditions

COMPUTER CONTROLLED MODE

Besides working in the stand alone mode of the camera, you can also choose to connect the camera to a computer. Thus enjoying even more features of the Euromex ImageFocus Alpha software. Such as saving captured images in JPG, TIFF or BMP formats and recording videos in .avi format directly on the hard drive. The software offers different measurement features on live and captured images and also full control over the camera parameters

WIFI MODE

The system streams high resolution images simultaneously to several WiFi enabled smartphones, tablets or computers with iOS, Android or Windows operating systems. Ideal for demonstrations where remote viewing is needed

An Android app for this camera is available on www.euromex.com. IOS app can be downloaded from the App Store (free of charge)

MODELS

Ordering is based on the standard iScope, Achios-X Observer, Delphi-X Observer and Achios-X Inverso model references, together with the corresponding DIGI-ADD reference

For example

IS.xxxx-xxx + IS.DIGI-ADD

AX.xxxx-xxx + AX.DIGI-ADD

DX.xxxx-xxx + DX.DIGI-ADD

AI.xxxx-xxx + AI.DIGI-ADD

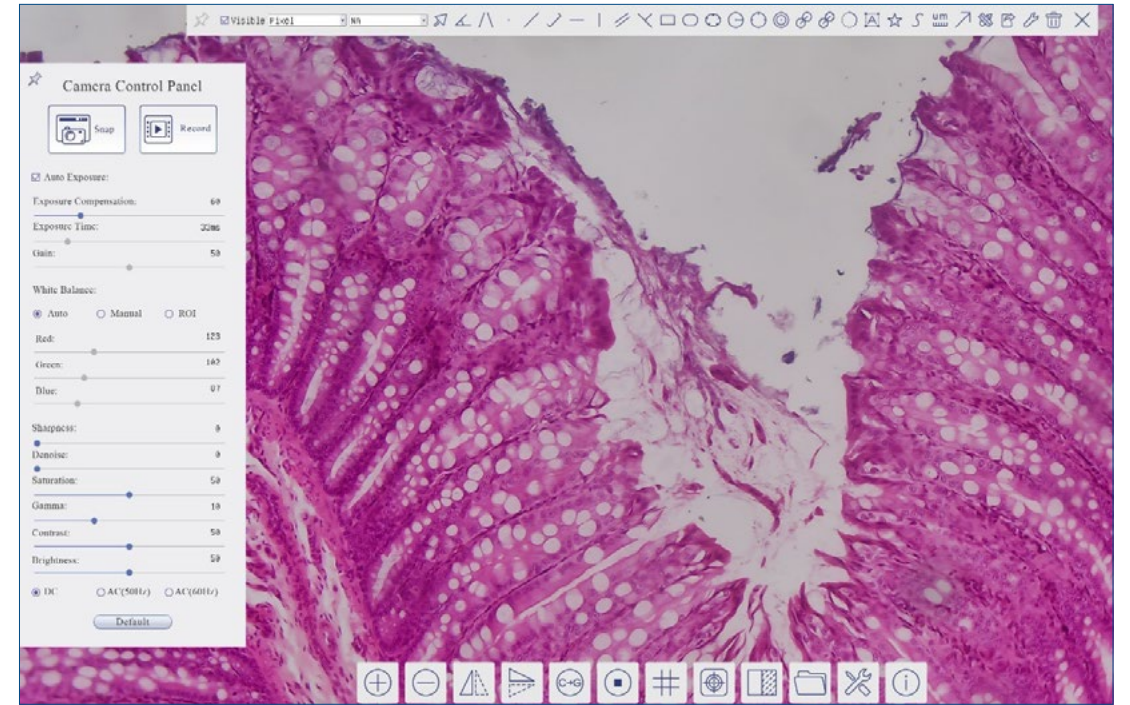
For further information on the microscope models, please refer to the specific microscope section in this catalog



● Control of the camera



● AI.4058-PLPHi + AI.DIGI-ADD



● Actual view of the screen. The menus pop-up automatically by mouse control

Camera List

HD4K

Capture & Resolution

Live: 3840 x 2160

Snap: 3840 x 2160

Format: RGB24

Exposure & Gain

White Balance

Color Adjustment

Power Frequency (Anti-flicker)

Color/Gray

Flip

Dark Field Correction

Flat Field Correction

Bitrate (Mbps)

Misc

CAMERA HIGHLIGHTS

- Ultra HD /4K, 8.3 MP
- 1/1.8 inch color 4K Sony sensor
- 3840 x 2160 pixels, 60 fps
- Real time images directly on TV, monitor or beamer
- Stand alone or used via PC or Mac
- C-mount interface
- 4K HDMI 2.0 standard
- Works with ImageFocus Alpha software

MACROZOOMS



MZ.4500
macrozoom

The high-end MacroZoom is built around one 0.7 to 4.5 times optical zoom objective and must be used in combination with C-mount types of cameras with HD screens or computer screens. With a working distance of 105 mm it is highly suitable for repairs, tooling engineers and visual inspections

A standard heavy metal base makes the whole system very stable for adding all kinds of illumination systems and camera systems



● MZ.4500

MZ.4500
313 (h) 320 (w) 285 mm (d) | 3.06 kg



product information



HIGHLIGHTS

- Stand-alone
- Zoom semi-apochromatic objective
- Zoom up to 0.7x to 4.5x
- C-mount with 0.4x objective
- 105 mm working distance
- Without illumination
- Metal stand
- 2 Years warranty



SPECIFICATIONS

CENTRAL ZOOM OBJECTIVE

The MacroZoom MZ.4500 features a single optical zoom objective with a 0.7x to 4.5x zoom magnification. Zoom adjustments engravings on 1, 1.5, 2, 3 and 4.5x. The working distance is 105 mm

STAND

The MacroZoom is mounted on a 230 mm height pillar (Ø 32 mm) and holder (Ø 39/50 mm) that sits on a metal 320 x 260 x 16/25 mm metal stand

CAMERA SYSTEMS

Any of our digital C-mount cameras (in this chapter) can be used together with the MacroZoom

PACKAGING

Supplied with dust cover and packed in a polystyrene box



● The MZ.4500 in combination with the VC.3036-HDS

MACROZOOMS



MZ.4600

digital macrozoom

This entry-level digital MacroZoom is equipped with a 0.7 to 5x zoom objective enables direct inspection of objects on external HD screen (not supplied). The mouse-driven built-in software control the camera parameters and enables measurements on screen, capturing and saving .jpg or .bmp format pictures and .mp4 format video on an USB memory stick

The MZ.4600 has a built-in high-definition 1080p 2 MP camera which can deliver up to 60 images per seconds and needs to be connected to an external stand-alone HD screen



● MZ.4600

MZ.4600
323 (h) 320 (w) 260 mm (d) | 4.4 kg



product information



HIGHLIGHTS

- MonoZoom stand-alone digital microscope
- Optical zoom from 0.7x up to 5x
- Magnification on screen from 2.5 up to 19x
- 100 mm working distance
- Built-in 1080p 2 MP HD camera
- Built-in mouse driven on-screen software
- Measurement function on screen
- jpg or bmp saved images
- mp4 video recording up to max 2 hrs
- Removable 32 GB memory stick
- Metal stand
- 2 Years warranty

SPECIFICATIONS

MACROZOOM OBJECTIVE

The Digital MacroZoom MZ.46000 features a single zoom objective with a 0.7 to 5x zoom magnification. Zoom adjustment engravings on 0.7, 1, 1.5, 2, 2.5, 3, 4 and 5x. The working distance is 100 mm. An optional 3D attachment enables a 45° angle observation

STAND

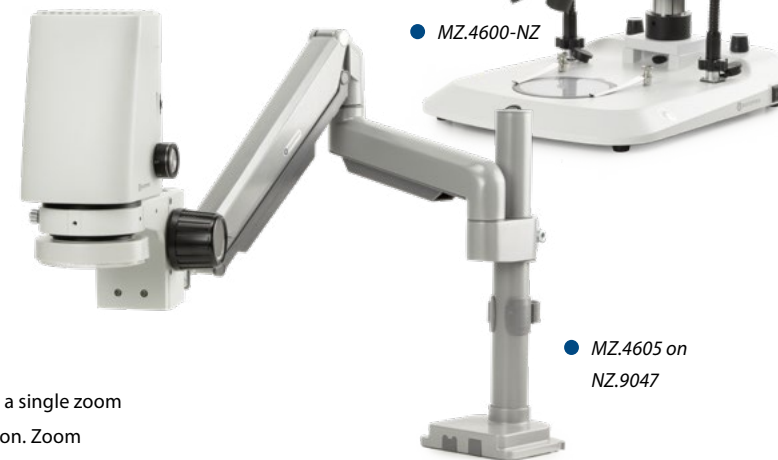
- Standard pillar stand (Ø 32 mm) that sits on a large 320 x 260 mm metal stand without illumination
- Travel range is 50 mm, max. object height 22 cm
- The MacroZoom objective can also be mounted on the NexusZoom stands. (for instance, the NZ.9047, see dedicated datasheet on the website)

ILLUMINATION

The MZ.4600 comes with a 144 LED ringlight, adjustable from the side of the MacroZoom body

BUILT- IN CAMERA

Built-in HD 1080p high-definition 2 MP 1/2.8" CMOS high speed camera, 1920 x 1080 pixels, 2.9 µm x 2.9 µm pixels and 60 images per seconds. Magnification on screen from 2.5x up to 19x with field of view from 210 x 120 mm up to 27 x 15 mm



● MZ.4600-NZ

● MZ.4605 on NZ.9047

based on a 24 inch HD screen. The camera has one HDMI output that needs to be connected to an external HD screen (not supplied). Two USB ports accept the supplied 32 GB USB memory stick (up to 64 GB) and a supplied wireless mouse that drives the built-in on-screen software. The operator can take .jpg or .bmp images and .mp4 video's and save them to an external supplied memory stick

BUILT- IN SOFTWARE

The built-in on-screen software (only English language) is mouse driven and features functions such as capture or record images, automatic or manual white balance, color adjustments, file manager, grids, flip/mirror, freeze image, WDR (white dark regulation), crosshair and crosslines, text annotations. Camera settings such as automatic or manual exposition time, gain, brightness, saturation, contrast, sharpness, digital 1-6x zoom are available. Measurement functions are also available from the software such as line, polygon circle, rectangle, angle, arc. Images are saved in .jpg or .bmp format and video in .mp4 videos format

PACKAGE CONTENT MZ.4600

- Supplied with
- Digital MacroZoom body with ringlight illumination
 - 32 GB memory stick, mouse, HDMI cable for HD screen, external 100-240 Vac / 12Vdc / 3A power supply
 - Standard pillar stand with head holder, without illumination (MZ.4610)

ORDER PRODUCT REFERENCES:

- MZ.4600** MacroZoom body with standard stand
- MZ.4600-NZ** MacroZoom body with NexiusZoom stand (NZ.9018), equipped with two 2 W gooseneck LED illuminations
- MZ.4605** MacroZoom body with ringlight illumination
- MZ.4610** Standard* stand for MZ body MZ.4605
- MZ.4615** 3D attachment for observation under 45° angle*
- MZ.4625** Additional 0.5x lens working distance 165 mm
- MZ.4627** Additional 0.7x lens working distance 128 mm
- MZ.4622** Additional 2x lens working distance 40 mm



● 3-D attachment MZ.4615
Below: view from above and from a 45° angle



OPTIONAL LIGHT SOURCES:

- LE.1973** Ringlight with 144 LEDs with adjustable light intensity. External power supply 100-240. Vac / 12 Vdc (50/60 Hz). With segment controller. Luminous flux of 23,000 Lux and color temperature of 6500 K
- LE.1974** Ringlight with 72 LEDs with adjustable light intensity. External power supply 110-240 Vac / 12 Vdc (50/60 Hz). With segment controller. Luminous flux of 20,000 Lux and color temperature of 6500 K
- LE.5207** Light source with 2x 3W LED light source mounted on two self-sustaining Gooseneck-type 56 cm long guide. Luminous flux 25.000 Lux, 6500K
- LE.5212** Multiple light source station with
 - two self-sustaining gooseneck-type 56 cm long guides with 2x 3 Watt white 6500 K power LEDs, each with a 3-lens focusing heads
 - 60 LEDs ringlight, 6.500 K, 24.000 Lux
 - transmitted 42 LEDs light stage, 6.500 K, 8.000 Lux. Stage diameter 94.5 mm, 15 mm thick



● MZ.4600 with LE.1973

how to match
camera resolution

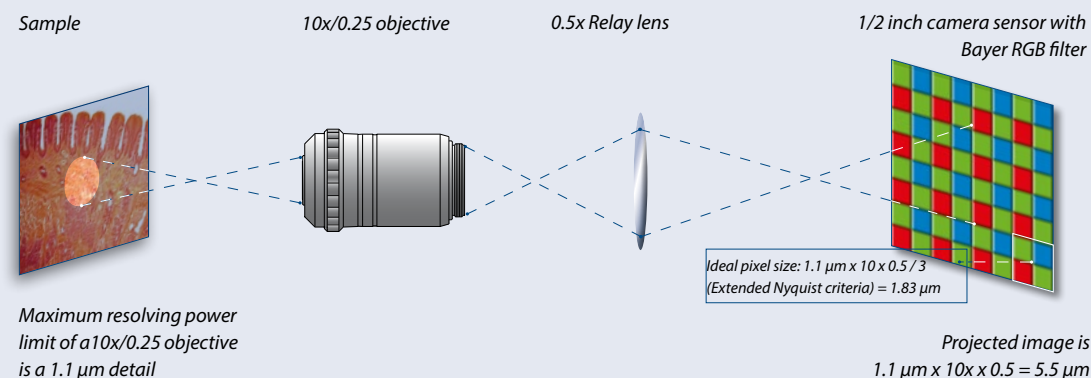
In microscopy, the image of the sample under observation is projected by the optical components of the microscope (objective lenses, eyepiece lenses, intermediate lens or camera relay lenses) onto the surface of a camera sensor or the retina of a human eye

a more important specification is the pixel size of the camera sensor. What might be astonishing to know about digital resolution of camera's is the fact, that the higher the magnification, the fewer pixels the chip of a camera needs!

Not the total amount of pixels – which basically determines the field of view of the camera image - is primordial but

To optimize the transfer of the details of the sample (resolving power) to the camera, the pixel size of the photodiodes of the camera sensor is a key element

EXAMPLE OF A 10X/0.25 OBJECTIVE WITH 1/2 INCH CAMERA SYSTEM



MAXIMUM AND OPTIMUM PIXEL SIZE REQUIREMENTS:

Obj. Magn.	NA	Resolving power ⁽¹⁾ (μm)	Projected size (μm)	Projected size with 0.5x lens (μm)	Maximum ⁽²⁾ camera pixel size (μm)	Optimum ⁽²⁾⁽³⁾ camera pixel size (μm)
1x	(0.04)	6.90	6.90	3.45	1.72	1.15
2x	(0.06)	4.60	9.20	4.60	2.30	1.53
4x	(0.10)	2.80	11.2	5.60	2.80	1.86
10x	(0.25)	1.10	11.0	5.50	2.75	1.83
20x	(0.40)	0.69	13.8	6.90	3.45	2.30
40x	(0.65)	0.42	16.8	8.40	4.20	2.80
60x	(0.80)	0.34	20.4	10.2	5.10	2.40
100x	(1.25)	0.22	22.0	11.0	5.50	3.67

⁽¹⁾ Resolving power of the objectives: $r = 1.22 \cdot \lambda / (NA \text{ Objective} + NA \text{ Condenser})$. With NA = numerical aperture, λ = wavelength and r = optical resolving power. The resolving power limits are based on various theoretical calculations. Low specimen contrast, improper or low illumination conditions, etc, may serve to lower resolving power limits, more often than not, the real-maximum values are not realized in practice

⁽²⁾ The Nyquist criterion states that the maximum camera pixel size can't exceed half of the resolving limit of the objective. For high resolution images, the Nyquist criterion is even extended to 2.5 to 3 pixels per detail and thus the optimum camera pixel size (3) is calculated as maximum 1/3 of the resolving limit of the objective

⁽³⁾ Although smaller pixel size of photodiodes of the camera sensor improve the resolution, smaller pixel sizes lower signal to noise ratios, lower the dynamic range and collect less light! Binning techniques can compensate for lower signal to noise ratios



MZ.4700(-HDS) digital autofocus macrozoom 4K/1080p

The MZ.4700 is an integration of a 1080p HDMI camera, an electrically controlled continuous zoom auto-focus objective together with a stand and illumination system. The MZ.4700 enables direct inspection of objects on a HD screen. The mouse-driven built-in software controls the camera parameters and enables measurements on screen, capturing and saving .jpg or .bmp format pictures and .mp4 format video on a USB memory stick



MZ.4700
350 (h) x 375 (w) x 250 mm (d) | 5.1 kg



HIGHLIGHTS

- Stand-alone or PC operated
- Sony 1/2.8" 4K/1080P CMOS sensor
18x optical zoom ratio
- Optical zoom factor up to 5.6x
- On-screen magnification from 2.8 to 47x
- 205 - 215 mm Working distance
- Standard LED ringlight
- Optional directional LED ringlight
- Built-in mouse-driven software
- 2 Years warranty

SPECIFICATIONS

ZOOM OBJECTIVE

- The 16 elements objective has an 18x zoom ratio and produces magnifications up to 0.56 magnification with a manual or automatic focusing function
- Fields of view from 255 x 145 mm (1x zoom) to 14 x 8 mm (18x zoom)
- On-screen magnification 2.8 to 47x @190 mm WD (24" screen)
- Focusing range between 205 and 225 mm
WD = working distance

CAMERA

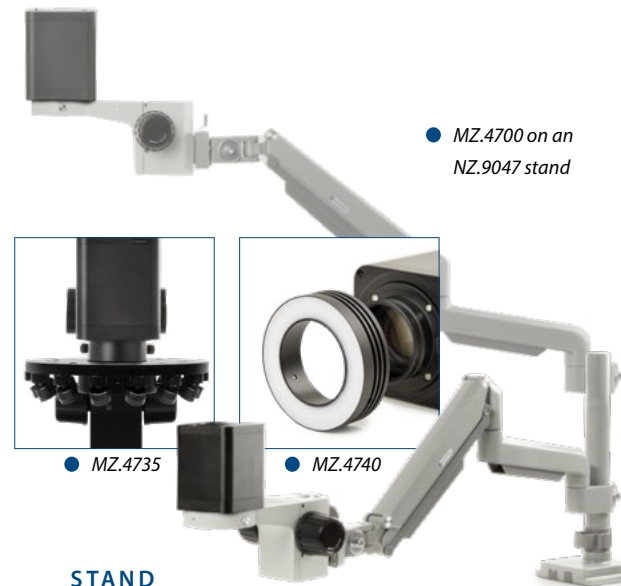
- The 8.3 MP camera is equipped with a Sony 1/2.8 inch 4K UHD/1080P CMOS high-definition sensor with high signal-to-noise ratio. This generates a 3840 x 8160 pixels video streaming, up to 60 images per second*
- The 4K/UHD signal fits the HDMI input of an HD screen
- A built-in SD card is used for image and video storage
- Stand-alone or PC operated (ImageFocus Alpha)

BUILT-IN SOFTWARE

The intuitive built-in software is controlled by the supplied - and to the camera connected - mouse. It features a camera-, an autofocus control panel and a measurement toolbar

ILLUMINATION

A standard LED ringlight assures a good lighting of the sample. A ringlight with 12x 1W, 30° directional LEDs enables extremely flexible lighting of the sample



• MZ.4700 on an NZ.9047 stand

STAND

- The MacroZoom can be mounted on a dedicated rack&pinion stand with or without a dedicated HD screen
- With the 30° directional 12x 1W LED ringlight (MZ. 4735,) the MacroZoom (MZ.4705) can also be mounted on the NexiusZoom stands (for instance, the NZ.9047, see dedicated datasheet on the website)

PACKAGE CONTENT

Supplied with a standard ringlight, a 32 GB SD card, mouse, WiFi dongle, HDMI cable and external 100-240 Vac / 12Vdc / 3A power supply

ORDER PRODUCT REFERENCES

- MZ.4700** Stand-alone digital autofocus MacroZoom ⁽¹⁾ with standard stand
- MZ.4700-HDS** Stand-alone digital autofocus MacroZoom ⁽¹⁾ with standard stand and HD screen
- MZ.4705** Stand-alone digital autofocus MacroZoom ^(1,2)
- MZ.4710** Standard stand for MZ.4705
- MZ.4712** 11 inch HD screen for MZ.4710 inclusive pillar attachment
- MZ.4740** Standard LED ringlight
- MZ.4735** Directional 12 x 1W LEDs ringlight

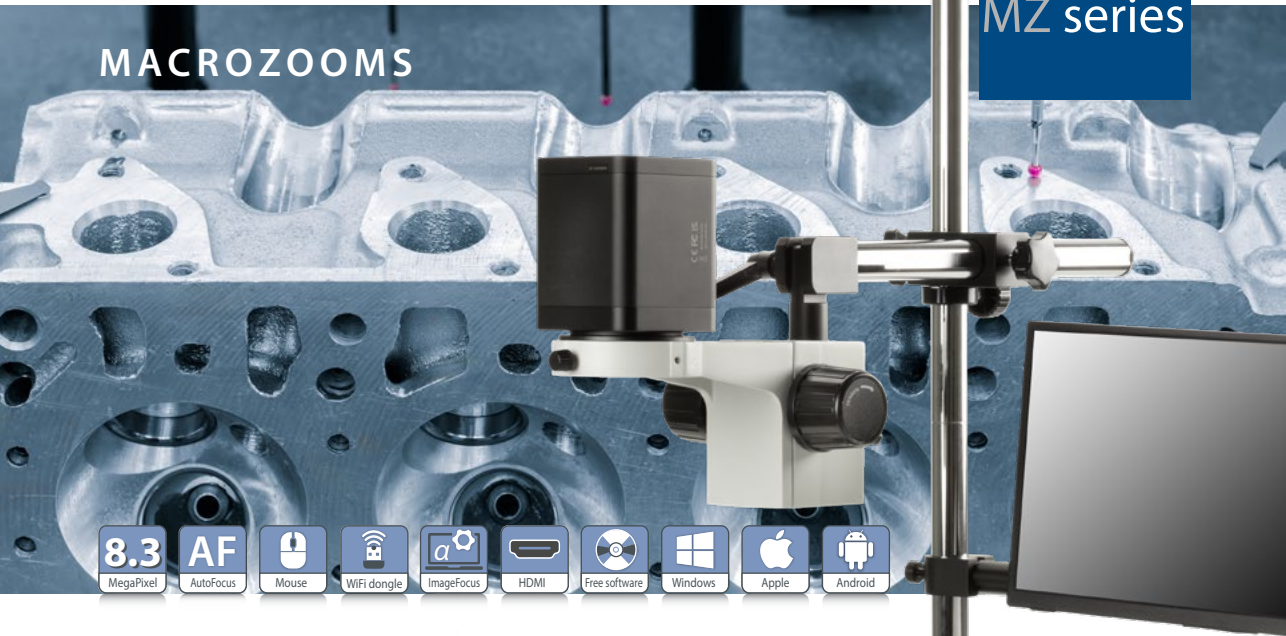
⁽¹⁾ Supplied with a 32 GB SD card, mouse, WiFi dongle, HDMI cable and External 100-240 Vac / 12Vdc / 3A power supply

⁽²⁾ The MZ.4705 can also be mounted on NexiusZoom stands

* Frame rates were determined at optimal conditions

MACROZOOMS

MZ series



- 8.3 MegaPixel
- AF AutoFocus
- Mouse
- WiFi dongle
- ImageFocus
- HDMI
- Free software
- Windows
- Apple
- Android

MZ.4702(-HDS)

Long WD AF macrozoom 4K/1080p

The MZ.4702 integrates a high-definition HDMI camera, an electrically controlled continuous zoom auto focus lens, along with a stable stand

Designed for direct inspection on an HD screen, the MZ.4702 allows effortless, real-time viewing with smooth 60 fps performance. Its built-in software provides full access to camera settings, on-screen measurement tools and the ability to capture and save images and videos

With an extended working distance and an ultra-wide field of view, the MZ.4702 delivers unmatched versatility and clarity for precision inspection tasks



product information

- Incident
- LED
- Zoom
- WiFi dongle
- Digital
- 100-240V
- 2 Year Warranty

MZ.4702 675 (h) x 380 (w, base plate)
560 (w, all in) x 260 mm (d) | 4.6 kg



● MZ.4702-HDS

HIGHLIGHTS

- Long working distance up to 67 cm
- Autofocus
- Stand-alone or PC operated
- Sony 8.3 CMOS sensor
- 18x optical zoom ratio
- Auto or manual focus
- Great for QC or production sites
- 400-670 mm extra-large working distance
- Built-in mouse-driven software
- 1 Year warranty

SPECIFICATIONS

ZOOM OBJECTIVE

- The 16 elements objective has a 18x zoom ratio with manual or automatic focusing function
- Fields of view from 65 x 37 cm (1x zoom) to 3.6 x 2 cm (18x zoom)
- On-screen magnification 0.8-14.5x @600 mm WD. (24" screen)
- Focusing range is between 400 and 670 mm
WD = working distance

CAMERA

- The 8.3 MP camera is equipped with a Sony 1/2.8 inch 4K UHD/1080P CMOS high-definition sensor with high signal-to-noise ratio generating a 3840 x 2160 pixels video streaming up to 60 images per second
- The 4K/UHD signal fits the HDMI input of a HD screen
- Image and video storage is done on a built-in SD card or USB flash drive (not included)
- Stand-alone or PC operated (ImageFocus Alpha)

ILLUMINATION

For illumination we recommend using Euromex LE.5207 or LE.5212



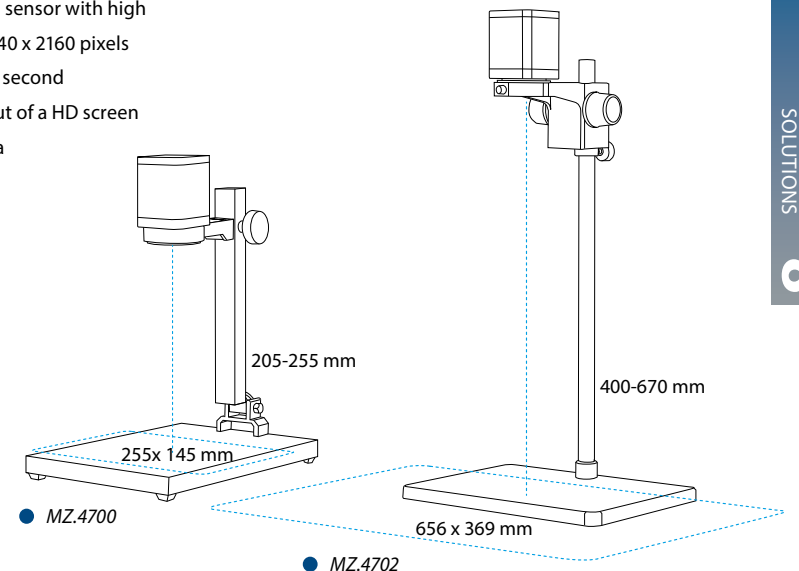
● MZ.4707

PC/MAC SOFTWARE

Operates with ImageFocus Alpha imaging and measuring software for Windows 10 and higher (32 and 64 bit configurations) MacOS and Linux for a full range of image management tools

PACKAGE CONTENT

Supplied with a 32 GB SD card, mouse, WiFi dongle, HDMI cable and external 100-240 Vac / 12Vdc / 3A power supply



● MZ.4700

● MZ.4702

ORDER PRODUCT REFERENCES

- MZ.4702** Stand-alone long working distance digital autofocus MacroZoom* with stand
- MZ.4702-HDS** Stand-alone long working distance digital autofocus MacroZoom* with stand and HD screen
- MZ.4707** Stand-alone long working distance digital autofocus MacroZoom, camera only*

- MZ.4714** Standard stand with camera holder for MZ.4702/4707
- MZ.4716** 11 inch HD screen for MZ.4702/4705, pillar attachment for MZ.4714 included

* Supplied with a 32 GB SD card, mouse, WiFi dongle, HDMI cable and power supply
MZ.4707 can also be mounted on NexusZoom stands such as NZ.9047

ACCESSORIES

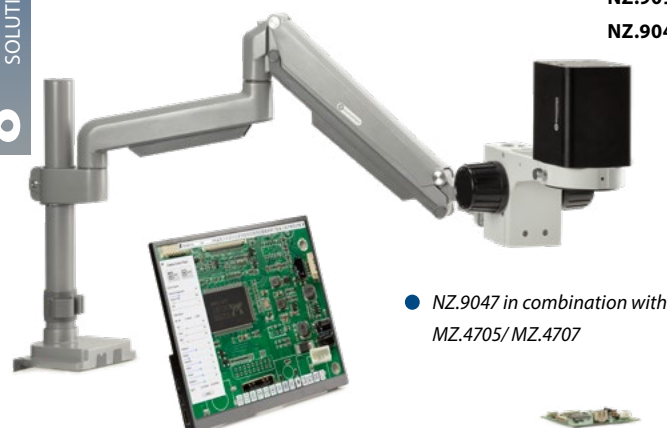
- LE.5207** Economical dual LED intensity adjustable light source with two 44 cm flexible gooseneck arms, each mounted with a 3 W LED
- LE.5112** Light source station with multiple power supply connections for two self-sustaining gooseneck-type guides, one ringlight and one transmitted stage illumination. For stand-alone usage or mounted on stereo microscope pillar stands with diameters up to 44 mm or with 35- and 25-mm pole mounting adapter rings



STANDS

- NZ.9025** Black articulated stand with table clamp (needs holder NZ.9081)
- NZ.9027** Articulated arm stand with heavy stand (needs holder NZ.9081)
- NZ.9081** 76 mm holder for articulated arm stands NZ.9025 and NZ.9027

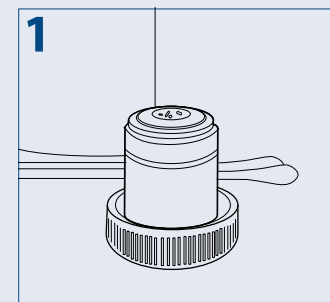
- NZ.9030** Universal double-arm stand, needs holder (NZ.9090/9095)
- NZ.9032** Universal double-arm stand with table clamp, needs holder (NZ.9090/9095)
- NZ.9090** Holder, with coarse control suitable for NZ.9030/9032 stands
- NZ.9095** Holder with fine coarse for NZ.9030/9032 stands
- NZ.9047** Articulated stand with adjustable tilt, swivel and rotating functions. With desktop clamp for mounting on 10-85 mm tabletops. Can also be fixed on tables with drilled holes. Supplied with 76 mm holder



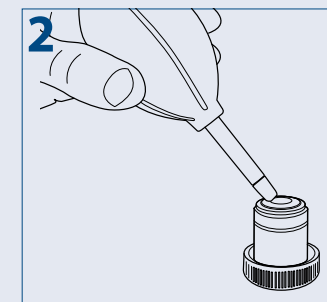
● NZ.9047 in combination with MZ.4705/ MZ.4707

how to keep the optics clean PB.5275 cleaning kit

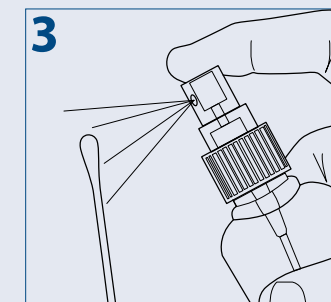
Dust and dirt particles have a negative affect on image quality. Keeping the optical system of your microscope clean is essential for the best image quality and overall life span of your microscope. Dust and dirt on optical elements such as lenses, prisms and filters that are left unattended can become difficult - or even impossible - to remove and may cause mold



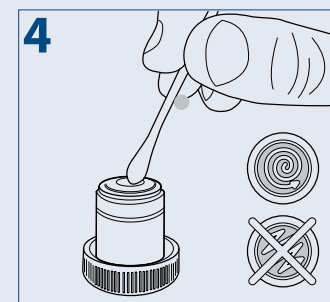
Place your objective or eyepiece on a secure location. One can use the objective's cap or eyepieces can be placed in the cut-outs within the storage box. Condensers and collector lenses can remain on the microscope



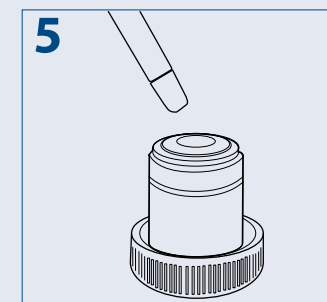
To prevent scratches on coatings and optical glass, first try to remove dirt and dust that sticks to the optical surface with an air-blower or pressurized dry air (oil-free and under moderate pressure version only)



Use an absorbent lens paper or cotton swap. Damp a swap or towel with a small amount of lens cleaning fluid or cleaning mixture (Either pure iso-propanol or a mixture of 7 parts ether and 3 parts alcohol)



Clean the lens by using the tip of the cotton swap or lens paper*. When cleaning a large lens surface, wipe with little pressure from the center towards the periphery in a circular motion, do not use zig-zag motion. Discard each lens paper or cotton swap after a single use



Wait until the cleaning fluid is evaporated, or speed up this process by using pressurized dry air

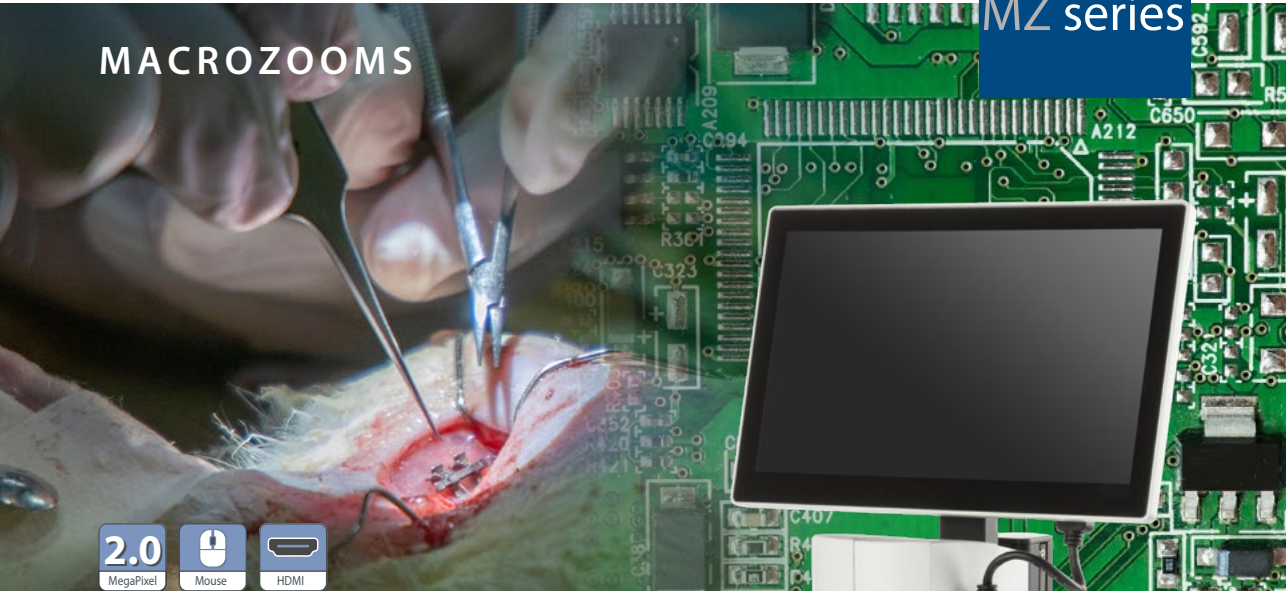
6 Check with the help of a magnifying glass if the surface is clean and place the cleaned item back on the nosepiece of the microscope



PLEASE NOTE
that cleaning of the optical surfaces indicated in this instruction only applies to external surfaces of objectives, eyepieces, filters and condensers. Internal surfaces must always be done by your Euromex microscope distributor

* Use enough lens paper so that solvents do not dissolve oils from your hands which can make their way through the paper onto the coated surface

MACROZOOMS



MZ.5000
digital macrozoom

The digital MacroZoom microscope is built around one 0.7 to 5x zoom objective and enables inspection of objects directly on an 11.6" LCD screen, -5° to 15° inclination. This kind of microscope is well-suited for inspection and quality control departments

The digital MacroZoom is equipped with a built-in full high-definition 1080p camera which can deliver up to 60 images per second and is connected either to the supplied and attached 11.6" screen or an external stand-alone HD screen



● MZ.5000

MZ.5000
445/635 (h) x 320 (w) x 260 mm (d) | 4.6 kg



product information



HIGHLIGHTS

- MonoZoom stand-alone digital microscope
- Zoom from 0.7x up to 5x
- 105 mm working distance
- 110 mm working distance with 0.5x lens
- Built-in incident LED ringlight
- Built-in 1080p 2 MP HD camera
- HD 11.6 inch screen, -5° to 15°
- Built-in mouse driven on-screen software
- Conveniently built-in capture button
- Removable 32 GB memory stick
- Metal stand
- 2 Years warranty



● Adjustable screen

SPECIFICATIONS

CENTRAL ZOOM OBJECTIVE

The digital MacroZoom MZ.5000 features a single zoom objective with a 0.7 to 5x zoom magnification. Zoom adjustment engravings on 1, 1.5, 2, 3, 4 and 5x. The working distance is 105 mm. Supplied with a 0.5x additional lens with a working distance of 110 mm

STAND

The Central Zoom Objective with attached screen and LED ringlight is mounted on a rack and pinion system that sits on a large 320 x 260 mm metal stand. Travel range is 225 mm

ILLUMINATION

A supplied 5,500 K LED ringlight with 56 LED's can be mounted under the microscope body. The intensity is adjustable

BUILT-IN CAMERA

Built-in HD 1080p high-definition 2 MP CMOS high speed camera, 1920 x 1080 pixels, 60 fps* with attached 11.6 screen. The standard field of view is 29.8 to 4.18 and with the 0.5x additional lens from 59 to 8.35. The camera has one HDMI output that can be connected either to the attached screen or to an external HD screen

Two other USB ports accept the supplied 32 GB USB memory stick (up to 128 GB) and a supplied wireless mouse that drives the built-in on-screen software. The operator can also take and save images to the SD card by pressing on a capture button at the right side of microscope body

BUILT-IN SOFTWARE

The built-in on-screen software is mouse driven and features functions such as Capture image, Freeze image, Automatic white balance, Automatic exposition, File manager, Grids and camera settings such as exposure time, gain, saturation, contrast, sharpness, HDR

Measurement functions are also available from the software such as line, area, angle. Images are saved in .jpg format and videos are saved in .avi format. With the digital zoom function, objects can be observed with a magnification up to 70 times

PACKAGE CONTENT

Supplied with 32 GB memory stick, mouse, short HDMI cable for attached screen, external 100-240 Vac / 12Vdc / 3 A power supply

* Frame rates were determined at optimal conditions

CAMERA FOR EDUCATION AND LABORATORIES

USB CAMERAS



- Free software
- ImageFocus
- Micrometer
- USB-2.0
- Windows
- Apple

CMEX USB-2.0 cameras with fast CMOS sensor

The CMEX-2f, CMEX-5f and CMEX-12f are equipped with a fast CMOS sensor. The CMEX cameras are equipped with USB-2.0 data interface

Besides capturing images and videos, the ImageFocus Plus software allows measurements on still and live images and annotations on captured images. Compatible with Windows 10 and higher, both 32 and 64 bits configurations. A MacOS version is also available. Free software can be downloaded from our website



HIGHLIGHTS

- Entry level camera for amateurs, education and laboratories
- 2.0, 5.0 or 12.0 MP
- 1920 x 1080 - 4000 x 3000 pixels
- Color depth 24 bits
- Low signal/noise ratio
- USB 2.0 interface



MODELS	Sensor	Sensor size (inch)	Pixels size (µm)	Resolutions	Max. frames (p/sec)*	Grayscale conversion	Color rendering	Dynamic (dB)	Sensitivity V/lux-sec (at 550 nm)	Product number
CMEX-2f	2.0 CMOS	1/2.9"	2.8 x 2.8	1920 x 1080	30	8 bits	24 bits	72	0.51	DC.2000f
CMEX-5f	5.0 CMOS	1/2.8"	2.0 x 2.0	2560 x 1920 1600 x 1200	30 50	8 bits	24 bits	72	2.0	DC.5000f
CMEX-12f	12.0 CMOS	1/2.3"	1.33 x 1.33	4000 x 3000 2592 x 1944	15 30	8 bits	24 bits	60	1.5	DC.12000f

The CMEX cameras are supplied with USB-2.0 cable, 30.0 and 30.5 mm to 23.2 mm conversion adapters for use with stereo microscopes and a 1 mm/100 (10 µm/division) calibration slide. The cameras are supplied with a 0.45x C-mount objective
*Frame rates have been determined at optimal conditions

DIGITAL SOLUTIONS 8

DIGITAL SOLUTIONS 8

USB CAMERAS

ADVANCED
CAMERAS FOR
EDUCATION



● CEMX-20 Pro

Advanced CEMX USB-3.0 cameras with CMOS sensor

The CEMX Pro cameras are equipped with a 5.1, 10 or 20 MP CMOS sensor with 12 bits grayscale conversion and a 24 bits color rendering. These cameras are equipped with a USB-3.0 data interface enabling fast frame rate

Besides capturing images and videos, the ImageFocus Alpha software allows measurements on still and live images and annotations on captured images. Compatible with Windows 10 and higher, both 32 and 64 bits configurations. A 2 GB RAM 2.8 GHz computer and 17 inch display is recommended. A MacOS version is available. Free software can be downloaded from our website

MODELS	Sensor	Sensor size (inch)	Pixels size (µm)	Exposure time	Resolutions	Max. frames (p/sec)*	Signal/ Noise (dB)	Dynamic (dB)	Sensitivity /lux-sec	Product number
CEMX-5 Pro	5.0 MP CMOS	1/2.5"	2.2 x 2.2	1 ms ~ 2000 ms	2592 x 1944 1296 x 972 640 x 486	16 50 98	39	68.	1.76 V	DC.5000-PRO
CEMX-10 Pro	10 MP CMOS	1/2.3"	1.67 x 1.67	1 ms ~ 2000 ms	3584 x 2746 1792 x 1372	8 25	35.5	63.5	0.31 V	DC.10000-PRO
CEMX-20 Pro	20 MP CMOS	1/1.8"	1.4 x 1.4	0.2 ms ~ 15 s	5120 x 3840 2560 x 1920	20 45	39.3	63.8	8.4 ke	DC.20000-PRO

The CEMX-5 Pro, -10 Pro and -20 Pro cameras are supplied with USB-3.0 cable, 30.0 and 30.5 mm adapters to use with stereo microscopes, 1 mm/100 (10 µm/division) calibration slide. The CEMX-5 Pro and -10 Pro are supplied with a 0.5x C-mount objective, the -20 Pro with a 0.75x C-mount objective

* Frame rates have been determined at optimal conditions

USB CAMERAS

SCIENTIFIC
GRADE CAMERAS
FOR EDUCATION



● sCMEX

sCMEX USB-3.0 cameras with scientific grade sCMOS sensor

These cameras are equipped with a scientific grade back illuminated Sony sCMOS sensor with 16 bits grayscale conversion and an outstanding 36 bits color rendering. Suitable for brightfield, darkfield and fluorescence. The cameras are equipped with a USB-3.0 data interface and supplied with ImageFocus Alpha software

Besides capturing images and videos, the ImageFocus Alpha software allows measurements on still and live images and annotations on captured images. Compatible with Windows 10 and higher, both 32 and 64 bits configurations. Also compatible with MacOS. PC requirements: Intel Core2 2.8 GHz or higher or equivalent, 2 GB memory, USB-3.0 port, 17 inch display. Free software can be downloaded from our website

MODELS	Sensor	Sensor size (inches)	Pixels size (µm)	Exposure time (ms)	Resolutions	Max. frames (p/sec)*	Color rendering	Dynamic range (dB)	S/N Ratio (dB)	Sensitivity V/lux-sec	Product number
sCMEX-6	6.3 MP sCMOS	1/1.8"	2.5 x 2.5	0.1 ~ 15,000	3072 x 2048 1536 x 1024	30 38	36 bits	66.8	44.51	0.15	DC.6000s
sCMEX-12	12 MP sCMOS	1/1.6"	2.0 x 2.0	0.013 ~ 15,000	3536 x 3536 1768 x 1768	27 60	36 bits	69.8	40.7	0.17	DC.12000s
sCMEX-20	20 MP sCMOS	1"	2.4 x 2.4	0.1 ~ 15,000	5440 x 3648 2736 x 1824 1824 x 1246	15 50 60	36 bits	66.3	44.74	0.21	DC.20000s
sCMEX-32	32 MP sCMOS	1.15"	2.3 x 2.3	0.1 ~ 15,000	5600 x 5600 2800 x 2800 1400 x 1400	8.1 30 30	36 bits	88	50	0.43	DC.32000s

The sCMEX cameras are supplied in a carton box with USB-2.0 cable, 30.0 and 30.5 mm to 23.2 mm conversion adapters for use with stereo microscopes, 1 mm/100 (10 µm/division) calibration slide. The DC.6000s is supplied with a 0.5x objective, the DC.12000s is supplied with a 0.75x objective and the DC.20000s and DC.32000s are supplied with a 1.0x adapter

* Frame rates have been determined at optimal conditions

WIFI CAMERA

WIFI CAMERA



CMEX-5 WiFi-4

digital WiFi camera with 1/1.8 inch 4 MP CMOS sensor

The CMEX-5 WiFi-4 camera is equipped with a 4.0 MP Sony CMOS sensor with 12 bits grayscale conversion and a 24 bits color rendering and it can be used either through the USB data interface or through the WiFi interface

The CMEX camera streams H.264 encoded high resolution images simultaneously to several WiFi enabled smartphones, tablets or computers with iOS, Android or Windows operating systems

Power supply through USB charger or computer USB port. Standard C-mount mounting

Adding a WiFi camera to your microscope is ideal for wireless sharing/viewing of microscope images. Ideal for demonstrations where remote viewing is needed

Android app for this camera is available on www.euromex.com. IOS app can be downloaded from the App Store (free of charge). ImageFocus Alpha software can be used by means of WiFi on PC's and Macs and is available on www.euromex.com

The camera is powered by the included USB charger or a computers USB port. Standard 0.5x C-mount objective is included

MODEL	Sensor	Sensor size (inches)	Pixels size (µm)	Resolutions	Grayscale conversion	Color rendering	Signal/ Noise(dB)	Dynamic (dB)	Sensitivity V/ lux-1/30 s	Product number
CMEX-5 WiFi-4	4.0 MP CMOS	1/1.8"	2.9 x 2.9	2688 x 1512	12 bits	24 bits	44	48	921	DC.5000-WIFI-4

The CMEX-5 WiFi-3 camera is supplied in a box with USB cable, 30.0 and 30.5 mm adapters to use with stereo microscopes, and a 0,5x C-mount objective

COOLED CAMERAS

COOLED CAMERAS FOR EDUCATION



DC.20000i and DC.6000i



Cooled color camera with CCD or CMOS sensor

The Euromex 6 and 20 Megapixel Peltier cooled cameras are equipped with Peltier cooling elements that allow the camera to be used for fluorescence and other low light applications. These advanced and premium models are supplied with a USB-3.0 interface

ImageFocus Alpha software has specific functions for fluorescence like combining capture fluorescence images. Furthermore it allows capturing of images and videos, doing measurements and annotations, generating reports, live image stitching etc. Compatible with Windows 10 and higher, both 32 and 64 bits configurations. Free software is available on www.euromex.com. A MacOS version is also available (with a few differences in features)

MODELS	Sensor	Sensor size (inches)	Pixel size (µm)	Resolutions	Max. frames (p/sec)*	USB-3	Dynamic range (dB)	S/N Ratio	Sensitivity @ 1/30 sec	Peltier cooling
DC.6000i	6.0 MP CCD	1"	4.54 x 4.54	2748 x 2200 2748 x 1092	7.5 14	•	62.34	41.6	880 mV	•
DC.20000i	20 MP CMOS	1"	2.4 x 2.4	5440 x 3648 4096 x 2160 2736 x 1824 1824 x 1216	5 10 15 30	•	66.3	41.74	462 mV	•

* Frame rates have been determined at optimal conditions

HD AND HD-AUTOFOCUS CAMERAS

HIGH-DEFINITION CAMERAS FOR EDUCATION



(Ultra) high-definition cameras

CMOS color cameras

These UHD-4K and HD cameras offer the perfect solution to modern microscopy where real-time images are needed. These HD image quality cameras can be used with biological, metallurgical or stereo microscopes

STAND-ALONE MODE

To use these cameras you do not need a computer or have any computer knowledge. Most camera settings are done automatically and therefore these cameras are very user-friendly. This results in faster, more flexible and compact working conditions. Simply connect the camera to a high-definition dedicated 11.6" or 13" HD screen, TV-HD or HD-beamer with a HDMI input and the system is ready to go. The mouse driven built-in software of the camera enables captured images and recorded videos to be saved on the integrated SD memory card

Almost all HD cameras offer a full range of measuring functions on live and captured images

COMPUTER CONTROLLED MODE

Users who want more camera controls and more functions can also connect the camera to a computer and benefit from the extensive functions of the Euromex ImageFocus software. It runs on Windows 10 and higher, both 32 and 64 bits. Besides extended camera settings, the software can save images in JPG, TIFF or BMP formats and record videos in .avi format on the hard disk of the computer. The software offers different measurement functions on live and captured images and also full control over the camera parameters

HIGHLIGHTS

- (Ultra) high-definition cameras
- Real-time images directly on TV, monitor or beamer
- Stand-alone or computer controlled mode
- Built-in mouse-driven software and SD memory card
- HDMI, USB-2.0/3.0
- GbE (Ethernet) (VC.3042)
- WiFi (VC.3042 and VC.3034)
- Autofocus model available
- Compatible with ImageFocus software



VC.3036-HDS on stereo microscope



VC.3034-HDS on the BioBlue

PACKAGE CONTENT*

MODELS	HD-Mini 2.0 MP	HD-Lite 5.0 MP	HD-Pro 8.0 MP	HD-Ultra 6.0 MP	UHD-4K Touch 8.0 MP	UHD-4K 8.3 MP	UHD-4K-16 16 MP
C-mount with objective	0.37x	0.45x	0.37x	0.37x	0.5x	0.5x	1x
30 and 30.5 mm adapters	•	•	•	•	•	•	•
SD card	32 GB	16 GB	32 GB	16 GB	32 GB	32 GB	32 GB
Caibration slide 10mm/100	•	•	•	•	•	•	•
External power supply	12V 1A	12V 2A	12V 1A	12V 2A	12V 2A	12V 1A	12V 1A
Dimensions (w x d x h)	51ø x 60 50 x 50 x 60	80 x 70 x 90	81 x 65 x 78	80 x 70 x 90	88 x 78 x 65	88 x 78 x 65	88 x 78 x 65
Product number	VC.3023	VC.3031	VC.3039	VC.3036	VC.3043	VC.3045	VC.3048
With HD screen	13" VC.3024-HDS	11.6" VC.3031-HDS	13" VC.3039-HDS	11.6" VC.3036-HDS	13" Touch VC.3043-HDS	13" VC.3045-HDS	13" VC.3048-HDS

ALL HD-CAMERAS

MODELS	HD-Mini	HD-Lite	HD-Pro HDMI	HD-Ultra	UHD-4K Touch	UHD-4K	UHD-4K-16
Sensor	Sony	Sony	Sony	Sony	Sony 4K	Sony 4K	Sony 4K
Format	1/2.8", HDTV 1080p	1/2.8", HDTV 1080p	1/2.8", HDTV 1080p	1/2.8", HDTV 1080p	1/1.8", HDTV 4K	1/1.8", HDTV 4K	1/1.1", HDTV 4K
Resolution*	1920 x 1080 ^(1,2) 60 fps*	2592 x 1944 ⁽¹⁾ 1920 x 1080 ⁽²⁾ 15 fps*	3840 x 2160 ⁽¹⁾ 1920 x 1080 ⁽²⁾ 26-60 fps*	3264 x 1836 ⁽¹⁾ 1920 x 1080 ⁽²⁾ 30-60 fps*	3840 x 2160 ^(1,2) 20-30 fps*	3840 x 2160 ^(1,2) 30-60 fps*	5440 x 3060 ⁽¹⁾ 5440 x 3060 (USB 3.0) ⁽²⁾ 20-30 fps*
Pixel size	2.9 x 2.9 (µm)	2.0 x 2.0 (µm)	1.45 x 1.45 (µm)	2.8 x 2.8 (µm)	2.0 x 2.0 (µm)	2.0 x 2.0 (µm)	2.4 x 2.4 (µm)
Video output	HDMI	HDMI, USB-2.0	HDMI, USB-C	HDMI, USB-2.0	HDMI, USB-2.0	HDMI, USB-3.0 ⁽³⁾ , Ethernet, WiFi	HDMI, USB-3.0 ⁽³⁾ , Ethernet, WiFi
Exposure	Automatic/manual	Automatic/manual	Automatic/manual	Automatic/manual	Automatic/manual	Automatic/manual	Automatic/manual
White balance	Automatic/manual	Automatic/manual	Automatic/manual/ROI	Automatic/manual	Automatic/manual/ROI	Automatic/manual/ROI	Automatic/manual/ROI
Sensitivity lux-sec	1300 mV	1000 mV	300 mV (1/30s)	510 mV	505 mV	3541 mV with 1/30 s	1847 mV with 1/30 s
Color rendering	12 bits	24 bits	24 bits	36 bits	32 bits	36 bits	36 bits
Signal/Noise (db)	42	40.5	38	55	40.5	40.5	40.6
Dynamic (db)	69	60	66	69	60	60	48
Interface	HDMI	HDMI, USB-2	HDMI, USB-C	HDMI, USB-2	HDMI, USB-2	HDMI, USB-3 ⁽³⁾ , Ethernet, WiFi	HDMI, USB-3 ⁽³⁾ , Ethernet, WiFi
Camera buttons	--	on/off	on/off	on/off	on/off	on/off	on/off
Mounting	C-mount	C-mount	C-mount	C-mount	C-mount	C-mount	C-mount
Storage	32 GB SD card (max.128 GB)	16 GB SD card (max. 32 GB)	32 GB SD card (max. 128 GB)	16 GB SD card (max. 32 GB)	32 GB SD card (or USB drive)	32 GB SD card (or USB drive)	32 GB SD card (or USB drive)
Software	--	ImageFocus Plus	ImageFocus Alpha	ImageFocus Plus	ImageFocus Alpha	ImageFocus Alpha	ImageFocus Alpha
Software languages	--	13 ⁽⁵⁾	15 ⁽⁶⁾	13 ⁽⁵⁾	15 ⁽⁶⁾	15 ⁽⁶⁾	15 ⁽⁶⁾
External power supply	100-240 Vac to 12Vdc/1A	100-240 Vac to 12Vdc/2A	100-240 Vac to 12Vdc/2A	100-240 Vac to 12Vdc/2A	100-240 Vac to 12Vdc/2A	100-240 Vac to 12Vdc/1A	100-240 Vac to 12Vdc/1A
Relative humidity	30 - 80 %	45 - 85 %	30 - 80%	45 - 85 %	30 - 80 %	30 - 80 %	30 - 80 %
Temperature Operation Storage	-10 - 50° C -20 - 60° C	0 - 60° C -20 - 70° C	-10 - 50° C -20° C - 60° C	0 - 60° C -20 - 70° C	-10 - 50° C -20 - 60° C	-10 - 50° C -20 - 60° C	-10 - 50° C -20 - 60° C
Compatible	--	Win 10 + higher MacOS	Win 10 + higher MacOS, Linux	Win 10 + higher MacOS	Win 10 + higher MacOS, Linux	Win 10 + higher MacOS, Linux	Win 10 + higher MacOS, Linux
Product number	VC.3023 VC.3024-HDS ⁽⁴⁾	VC.3031 VC.3031-HDS ⁽⁴⁾	VC.3039 VC.3039-HDS ⁽⁴⁾	VC.3036 VC.3036-HDS ⁽⁴⁾	VC.3043 VC.3043-HDS Touch ⁽⁴⁾	VC.3045 VC.3045-HDS ⁽⁴⁾	VC.3048 VC.3048-HDS

* Frame rates depend on resolution and output mode and have been determined at optimal conditions

⁽¹⁾ capture mode (resolution depends on output mode)

⁽²⁾ live view (resolution depends on output mode)

⁽³⁾ USB-2.0 compatible but limitations in speed and resolution

⁽⁴⁾ model with attached HD screen, 1080p

⁽⁵⁾ English, Chinese Simplified, Traditional Chinese, Thai, German, Italian, French, Korean, Japanese, Russian, Polish and portugese

⁽⁶⁾ English, Catalan, Indonesian, Polish, Chinese Simplified,

Traditional Chinese, Thai, German, Italian, French, Korean, Japanese, Russian, Turkish, Spanish

BUILT-IN SOFTWARE FEATURES (HDMI MODE)

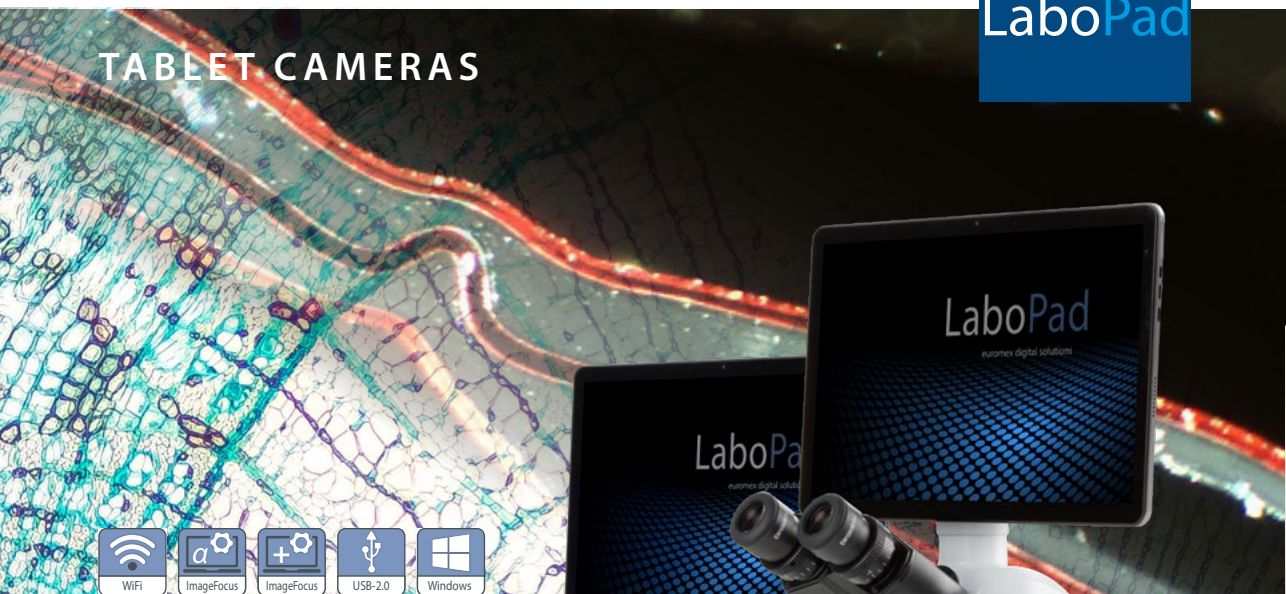
MODELS	HD-Mini	HD-Lite	HD-Pro HDMI	HD-Ultra	UHD-4K Touch	UHD-4K	UHD-4K-16
Image capturing (JPEG)	1920 x 1080	2592 x 1944	3840 x 2160	3261 x 1840	3840 x 2160	3840 x 2160	5440 x 3060
Video recording	1920 x 1080 MP4	1920 x 1080 AVI	1920 x 1080 MP4	1920 x 1080 AVI	3840 x 2160 MP4	3840 x 2160 MP4	3840 x 2160 MP4
Browse saved images
Browse saved video's
Mouse driven
Auto exposure
Exposure time	0.01 ~ 1000 ms	0.001s ~ 10 s	0.04 ~ 1000 ms	0.001s ~ 10 s	0.04 ~ 1000 ms	0.04 ~ 1000 ms	0.04 ~ 1000 ms
Gain
RGB & white balance
Gamma
Sharpness
Noise reduction	3D algorithm	3D algorithm	3D algorithm	3D algorithm	standard noise reduction	3D algorithm	3D algorithm
Saturation & contrast
Horiz. & vert. flip
Grids	multi	multi	User defined	cross/multi	cross/multi	cross/multi	cross/multi
Autofocus	--	--	--	--	--	--	--
Compare function	--
Measurement functions	captured & live images	--	captured & live images	captured & live images	captured & live images	captured & live images	captured & live images
Line & free curve	--	--
Polygon & rectangle	--	--
Angle	--	--
Circle 3 points	--	--
Circle radius	--	--
Export function	--	--	CSV	CSV, Txt	CSV	CSV	CSV
Languages	10 ⁽⁴⁾	9 ⁽³⁾	10 ⁽⁴⁾	9 ⁽³⁾	10 ⁽⁴⁾	10 ⁽⁴⁾	10 ⁽⁴⁾
Product number	VC.3023 VC.3024-HDS ⁽⁴⁾	VC.3031 VC.3031-HDS	VC.3039 VC.3039-HDS	VC.3036 VC.3036-HDS	VC.3043 VC.3043-HDS Touch	VC.3045 VC.3045-HDS	VC.3048 VC.3048-HDS

HDMI mode

⁽³⁾ English, Chinese Simplified, Traditional Chinese, German, Italian, French, Korean, Japanese, Spanish

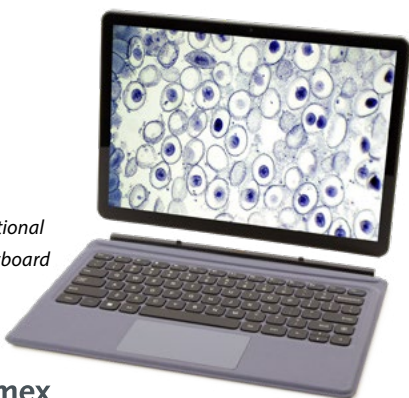
⁽⁴⁾ English, Chinese Simplified, Traditional Chinese, Thai, German, Italian, French, Korean, Japanese, Russian

TABLET CAMERAS



LaboPad

Discover the LaboPad – a versatile **tablet microscope camera system** that can easily be mounted onto your microscope. Capture stunning images and videos, then edit and analyze them with powerful ImageFocus software. The LaboPad can be detached for use as a regular tablet, offering flexibility in and out of the lab. An optional attachable keyboard adds even more functionality, making it the perfect all-in-one solution for modern microscopy



● LP.1000, optional click-on keyboard



product information

SOFTWARE

LaboPad USB camera works with ImageFocus Plus software and LaboPad with WiFi camera works with ImageFocus Alpha. The WiFi camera can also be operated using IOS or Android apps



● LaboPad, detachable, take it anywhere

SPECIFICATIONS

Processor	Quad Core max 3.3 GHz HD graphics processor
Screen	12.1 inch IPS 2160*1440 / 3:2
Memory	12 GB
Storage	512 GB Flash HDD, micro SD/SDHC slot for cards up to 64 GB
Webcam	2 MP front and 5MP rear camera
Connectivity	2x USB-C, WiFi 6 and Bluetooth 4.0
Audio	Stereo with 3.5 mm audio jack, internal microphone and speaker
Battery	Lithium, 38Wh, 5000mA
Weight	0.8 KG (tablet) 4.8 kg (complete)
System	Windows 11
Software	ImageFocus Plus or -Alpha, depending on version

Specifications can be changed by Euromex microscopen bv without notice. Consult website to check latest specifications

MODELS	Camera (MP)	Sensor size	Resolution	Pixels size (µm)	ADC	Color rendering	Dynamic (dB)	Sensitivity	Software	Product number
LaboPad-2	2.1	1/2.9"	1920 x 1080	2.8 x 2.8	12 bits	24 bits	--	0.51 V/lux-sec	IF Plus	LP.2000f
LaboPad-5	5.1	1/2.8"	2592 x 1920	2.0 x 2.0	12 bits	24 bits	72 dB	2.0 V/lux-sec	IF Plus	LP.5000f
LaboPad-12	12.0	1/2.3"	4072 x 3176	1.33 x 1.33	8 bits	24 bits	60 dB	1.5 V/lux-sec	IF Plus	LP.12000f
LaboPad-WiFi	4	1/1.8"	2688 x 1512	2.9 x 2.9	12 bits	24 bits	48 dB	0.9 V/lux-1/30 sec	IF Alpha	LP.5000-WiFi

All LaboPads have ImageFocus preinstalled
The WiFi model connects to the pad via USB or WiFi, but allows use of the ImageFocus apps (IOS/Android)
All LaboPad models are supplied with a C-mount objective that fits the standard 23.2 mm trinocular tubes

HIGHLIGHTS

- 12.1" Tablet with microscope camera
- 2160 x 1440 pixels touch screen
- Windows 11
- ImageFocus Plus software for PC
- IF Alpha for WiFi enabled PC, Android and iOS devices
- Tablet can be fully detached from camera
- Optional keyboard

SOFTWARE

The software is compatible with all cameras mentioned in table below. Besides live imaging the software captures images in various formats and video in .avi format

IMAGE FOCUS 4	
DC.1300c	

IMAGE FOCUS PLUS	
VC.3031(-HDS)	DC.2000f
VC.3036(-HDS)	DC.5000f
	DC.12000f

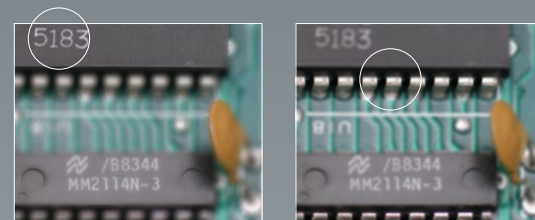
IMAGE FOCUS ALPHA	
MZ.4700(-HDS)	DC.5000-WiFi-4
MZ.4702(-HDS)	DC.6000i
	DC.20000i
VC.3039(-HDS)	DC.6000s
VC.3043(-HDS)	DC.12000s
VC.3045(-HDS)	DC.20000s
VC.3048(-HDS)	DC.5000-Pro
	DC.10000-Pro
	DC.20000-Pro
	DC.32000-PRO

IMAGE STITCHING

Image stitching is the process of combining multiple images with overlapping fields of view to produce one image

EXTENDED DEPTH OF FOCUS

"The extended depth of focus" function in the ImageFocus Alpha software or "stacking software, allows to combine a number of digital images of a object, focused at different focus planes, into one final image with much greater depth of field (see illustration below)



ImageFocus Plus software

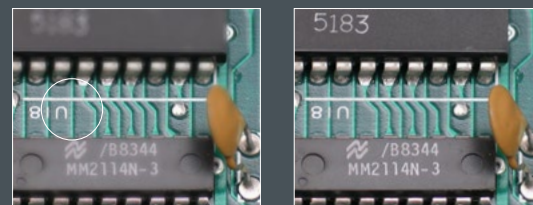
ImageFocus Plus has a wide range of functions: Measurements on still and live image
 Extended depth of focus and stitching on still and live image (only with VC.3036 and VC.3031 cameras)
 Images can be saved in .jpg, .tif, .bmp or .dicom formats as well as .avi and mpeg-4 format videos
 The brightness, contrast and saturation of captured images can be adjusted
 Camera parameters for exposure time, white balance and color control are easily accessible
 The software also has specific functions for fluorescence such as combining captured fluorescence images
 Compatible with Windows 10 and higher, both 32 and 64 bits configuration. A MacOS version is also available

PC requirements: Intel Core2 2.8 GHz or higher or equivalent, 2 GB memory or more, 17" screen

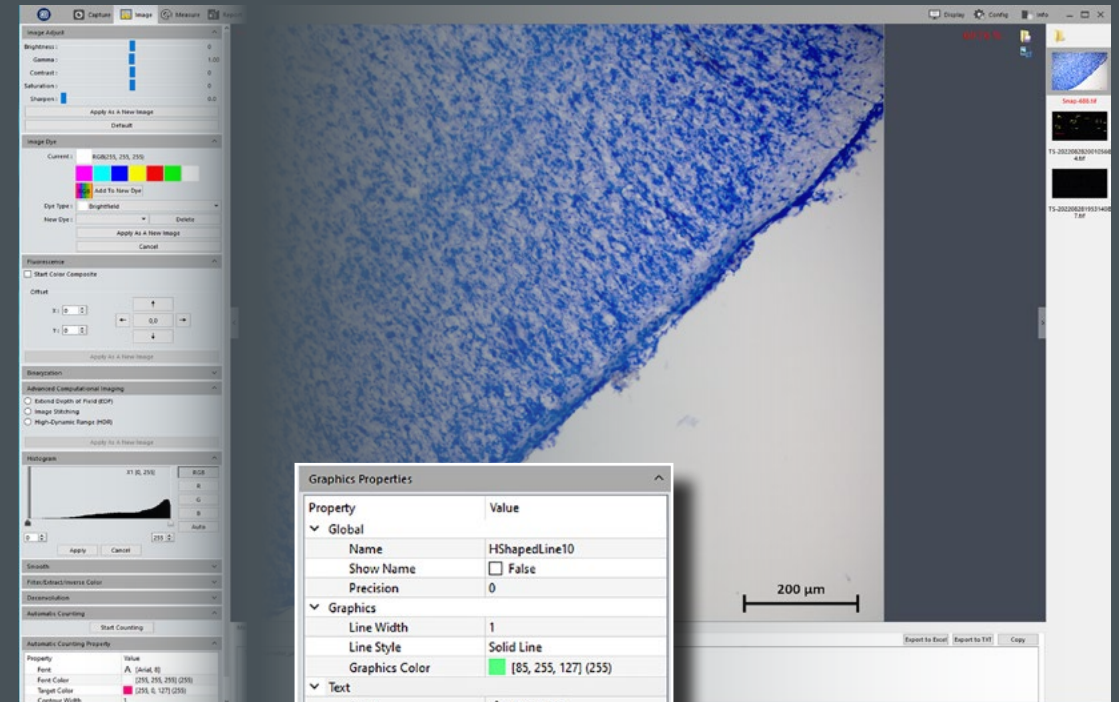
ImageFocus Plus software features English, German, French, Dutch, Spanish and Russian



downloads



FREE UPDATES
 AVAILABLE ON
 EUROMEX.COM



Graphics Properties

Property	Value
Global	
Name	HShapedLine10
Show Name	<input type="checkbox"/> False
Precision	0
Graphics	
Line Width	1
Line Style	Solid Line
Graphics Color	[85, 255, 127] (255)
Text	
Font	A [Arial, 20]
Font Color	[255, 255, 0] (255)
No Background	<input checked="" type="checkbox"/> True
Background Color	[255, 255, 255] (255)

Apply To All Default





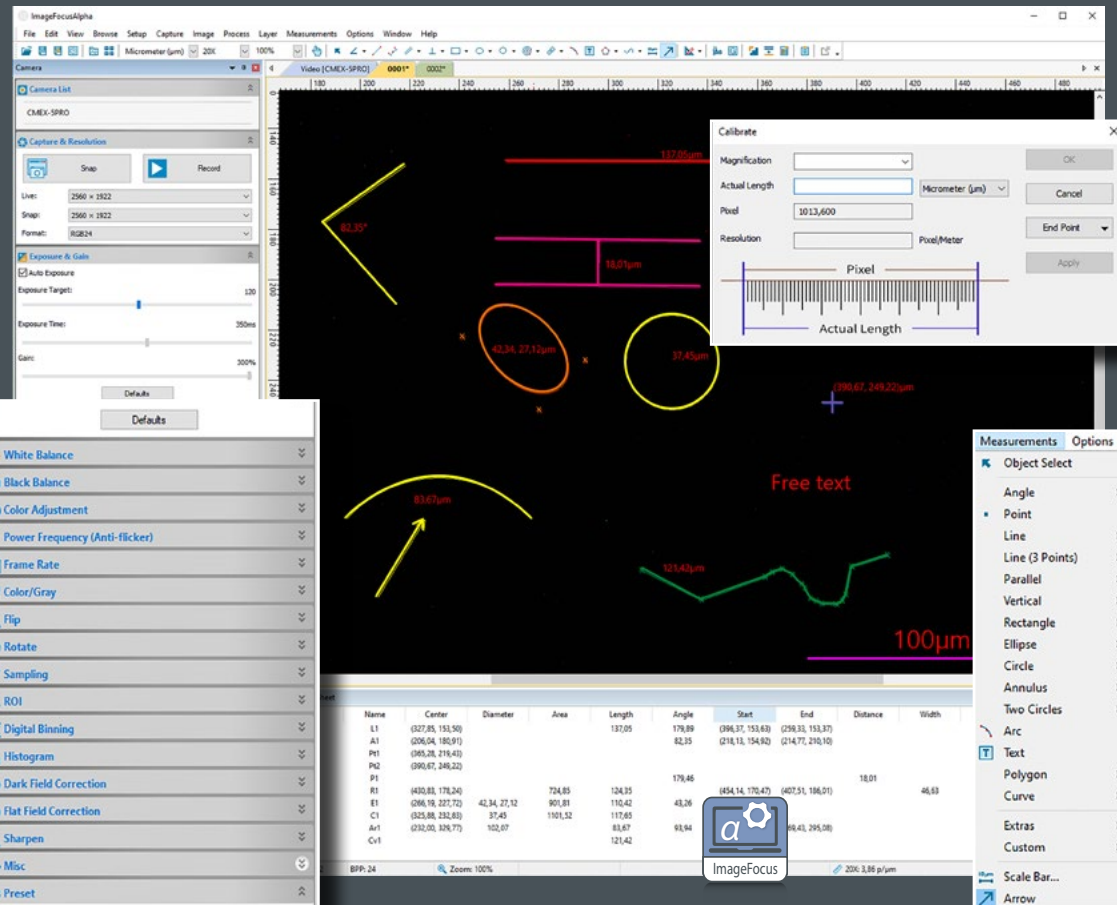
ImageFocus Alpha software

ImageFocus Alpha has a wide range of functions:

- Measuring, segmentation & counting, stitching of images, extended depth of focus, etc
- Images can be saved in .jpg, .tif, .bmp or .dicom formats as well as .avi format videos
- The brightness, contrast and saturation of captured images can be adjusted
- Camera parameters for exposure time, white balance and color control are easily accessible

- The software also has specific functions for fluorescence such as combining captured fluorescence images
- Compatible with Windows 10 and higher, both 32 and 64 bits configuration. A MacOs version is also supplied (with a few differences in features)
- PC requirements: Intel Core2 2.8 GHz or higher or equivalent, 2GB memory or more, 17" screen

One language can be selected during initial installation of the ImageFocus Alpha software English, Catalan, French, German, Indonesian, Italian, Japanese, Korean, Polish, Russian, Simplified Chinese, Spanish, Thai, Traditional Chinese, Turkish



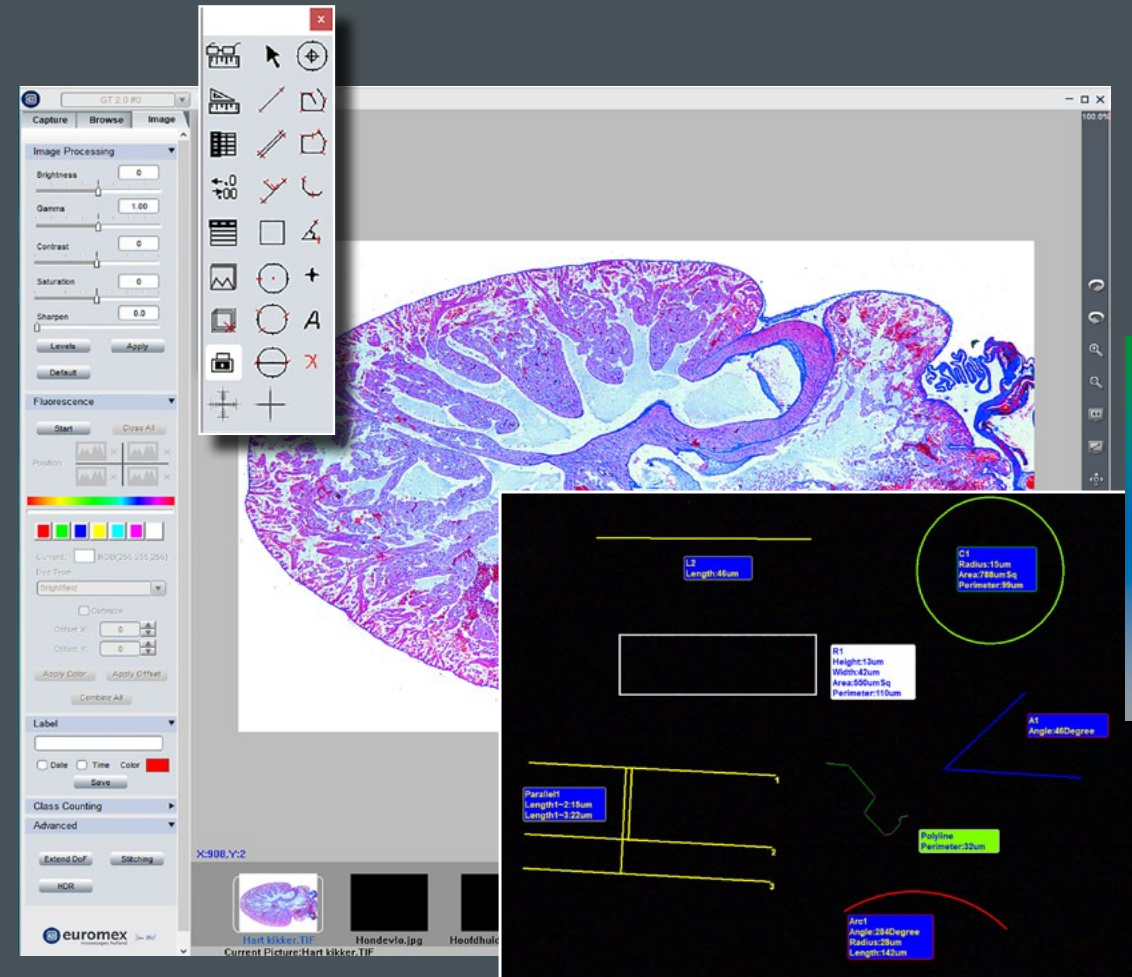
ImageFocus 4 software

ImageFocus 4 has a wide range of functions:

- Measurements can be done on still and live image
- Images can be saved in .jpg, .tif, or .bmp formats as well as .avi format videos
- The brightness, contrast and saturation of captured images can be adjusted
- Camera parameters for exposure time, white balance and color control are easily accessible

- The software also has specific functions for fluorescence such as combining captured fluorescence images
 - Compatible with Windows 10 and higher, both 32 and 64 bits configuration. A MacOs Light version is also available for capturing images*
 - PC requirements: Intel Core2 2.8 GHz or higher or equivalent, 2GB memory or more, 17" screen
- * Mac version not available for VC Series

One language can be selected during initial installation of the ImageFocus 4 software: English, German, French, Dutch, Spanish and Russian





ImageFocusLabs

software for materials science

ImageFocusLabs is specifically designed to support your daily microscopy routines, micro-imaging and microstructure analysis. With an intuitive and user-friendly interface, the software streamlines your quality control procedures, improving both accuracy and consistency

Easy to use control panels guide you step-by-step through each analysis, removing guesswork and ensuring reliable, repeatable results

TWO EDITIONS – SCALABLE TO YOUR NEEDS

ImageFocusLabs is available in two versions. These two options ensure a tailored solution for every laboratory. Software is supplied on a encrypted, licensed USB-dongle.

ImageFocusLab Grain size:
Includes Image capture +
Manual and Auto Measurements tools
Manual Count, Annotations
ASTM Grain Size analysis as per ASTM E112
Product number: SW.1051-G

ImageFocusLab Cast iron size:
Includes Image capture +
Manual and Auto Measurements tools
Manual Count, Annotations
Cast Iron analysis as per ASTM A247
Product number: SW.1051-C

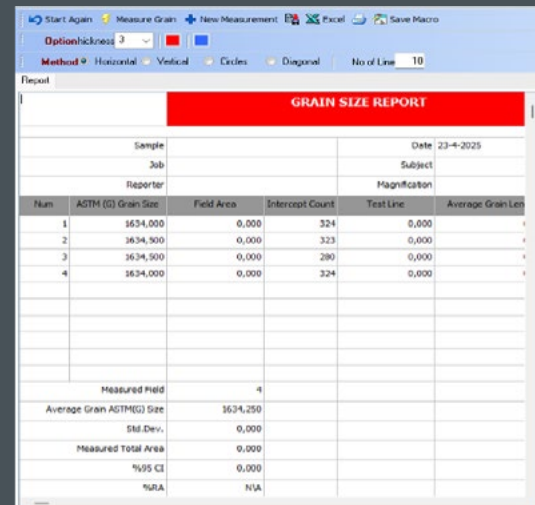
OPTIMIZED FOR EUROMEX MICROSCOPY SYSTEMS

ImageFocusLabs is engineered for seamless integration with Euromex CMEX-PRO and sCMEX cameras, as well as the full range of Euromex metallurgical and stereo microscopes. With this perfect synergy between hardware and software, Euromex delivers a complete turnkey solution for high-performance metallurgical analysis and documentation

Key features

CUSTOMIZED REPORTING & USER SUPPORT

- Automatically compiled report sheets for all measurements according to industry standards
- Easy export to Excel
- Add your company logo, calibration scale, annotation text and arrows
- Save images with measurement overlays
- Access the built-in user manual with one click

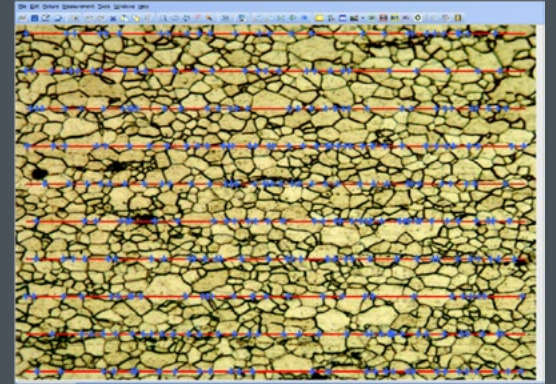


Grain size analysis

Grain boundaries are detected automatically

Calculates grain size using:

- Horizontal, vertical, diagonal and circular intercept methods
- ASTM Grain Size Number (G value)
- 95% Confidence Interval and Relative Accuracy (RA)
- Comprehensive reporting included

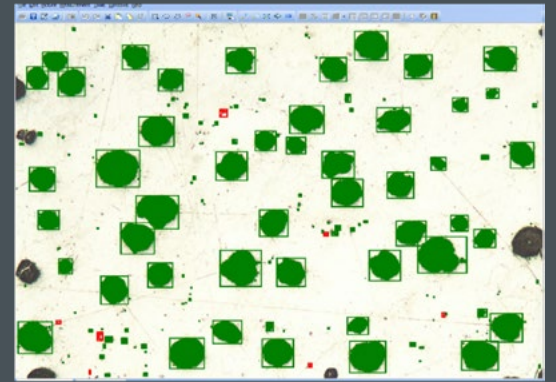


Cast iron size analysis

NODULARITY ANALYSIS

Conforms to ASTM A247, automatically measures graphite percentage, nodule density per mm², nodularity by area and count, classification and color-coding from class 1 to 8, ferrite and pearlite matrix percentages

Results are automatically compiled into a clear, structured report with multi-image statistics



PHASE ANALYSIS (%)

Segment and quantify metallurgical phases like Ferrite, Pearlite and Graphite using threshold-based selection.



SPHERICITY

Calculates the percentage of round (spheritized) graphite particles: (based on ASTM A247)

Adjustable shape factor (default 0.6), counts spherical and non-spherical particles, includes pore/particle size distribution tables and color-coded classifications



PARTICLE SIZE & PORE ANALYSIS

Detect and measure micro-objects or pores, categorize by radius and diameter and export full results to Excel.

GRAY IRON & FLAKE ANALYSIS

Analyzes and classifies graphite flakes:

Measures flake length and class

Calculates average % graphite, Ferrite and Pearlite

All data integrated into a single report

FOR ALL
MICROSCOPE
CAMERAS

ADAPTERS



adapters



● AE.5130

● NZ.9850

adapter guide

microscope and camera

Most Euromex cameras are supplied with a photo port C-mount adapter to connect it to any Euromex trinocular microscope*. Monocular microscopes require the removal of the eyepiece so that the camera can be fitted into the 23.2 mm tube. Binocular microscopes require the removal of an eyepiece plus an additional mechanical adapter. To connect our cameras to another microscope brand, see adapter references below:

* Except for the Oxion, Oxion Inverso and Delphi-X Inverso series. They need an additional adapter. See next page

MODELS	1/3 inch camera	1/2 inch camera	2/3 inch camera	1 inch camera
Leica ⁽¹⁾	AE.9835-L (0.35x)	AE.9855-L (0.55x)	AE.9870-L (0.70x)	AE.9810-L (1x)
Olympus ⁽²⁾	AE.9835-O (0.35x)	AE.9850-O (0.50x)	AE.9863-O (0.63x) AE.9880-O (0.80x)	AE.9810-O (1x)
Zeiss ⁽³⁾	AE.9835-Z (0.35x)	AE.9850-Z (0.50x)	AE.9865-Z (0.65x) AE.9880-Z (0.80x)	AE.9810-Z (1x)
Zeiss PrimoStar 3 ⁽⁴⁾	AE.9835-ZP3 (0.35x)	AE.9850-ZP3 (0.50x)	AE.9865-ZP3 (0.65x)	AE.9810-ZP3 (1x)
Zeiss ZA ⁽⁵⁾	--	AE.9850-ZA (0.50x)	AE.9863-ZA (0.63x) AE.9880-ZA (0.80x)	AE.9810-ZA (1x) AE.9812-ZA (1.2x)
Nikon ⁽⁶⁾	AE.9835-N (0.35x)	AE.9855-N (0.55x)	AE.9870-N (0.70x) AE.9880-N (0.80x)	AE.9810-N (1x)

⁽¹⁾ Leica DM, 35 mm to 25.4 mm C-mount, stainless steel

⁽²⁾ Olympus CX, CX2, BX, BX2, IX, MX, GX, SZX, STM, 42 mm to 25.4 mm C-mount, anodized aluminum

⁽³⁾ Zeiss PrimoStar, PrimoStar Vert, 30 mm to 25.4 mm C-mount, anodized aluminum

⁽⁴⁾ Zeiss PrimoStar, C-mount, anodized aluminum

⁽⁵⁾ Zeiss 60N-C, 60N-T2 photo ports of Axio examiner, Axio Imager, Axio Lab, Axio Observer, Axio Scope, Axio Zoom, Stemy 508 and SteREO Discovery

⁽⁶⁾ Nikon E100, E200, 50i, 55i, 80i, 90i, Ni series, Ti Series, SMZ800, SMZ1000, SMZ15000, 38 mm to 25.4 mm C-mount, stainless steel

Standard C-Mount: 25.4 mm (1 inch) diameter with 32 threads per inch

● AE.9835-L



23.2 MM PHOTO PORT C-MOUNT ADAPTERS

Suitable for all Ø 23.2 mm (photo) tubes

- DC.1324** C-mount adapter with 0.45x objective for 1/2" camera
 - DC.1353** C-mount adapter with 0.37x objective, fixed focal length and short barrel*. For 1/3" camera
 - DC.1355** C-mount adapter with 0.50x objective, fixed focal length and short barrel*. For 1/2" camera
 - DC.1357** C-mount adapter with 0.75x objective, fixed focal length and short barrel*. For 2/3" camera
 - DC.1359** C-mount adapter with 1x lens, fixed focal length and short barrel, for standard 23.2 mm tube and 1" camera
 - DC.1330** 30 mm to 23.2 mm conversion adapters
 - DC.1335** 30.5 mm to 23.2 mm conversion adapters
- * for increased light efficiency



● DC.1355 ● DC.1330 / DC.1335 ● DC.1324



● AE.5130 ● AE.5120-2

PHOTO PORT ADAPTERS

Suitable for Euromex microscopes with a photo port such as Achios-X Observer, Achios-X Inverso, Oxion Inverso, NexiusZoom, StereoBlue, Delphi-X Observer and Delphi-X Inverso

Achios-X Observer

- AX.9850** C-mount adapter 0.5x (standard included)
- AX.9810** C-mount adapter 1x

Achios-X Inverso, AI.1053 and AI.3153 models

- AI.9810-3** C-mount photo adapter 1x
- AI.9850-3** C-mount photo adapter 0.5x

Achios-X Inverso, AI.4058 and AI.4158 models

- AI.9810-4** C-mount photo Adapter 1x
- AI.9870-4** C-mount photo Adapter 0.7x
- AI.9850-4** C-mount photo Adapter 0.5x

bScope materials BS.40XX models

- BS.9810** C-mount with 1x magnification for 1 inch sensor cameras
- BS.9850** C-mount with 0.5x magnification for 1/2 inch sensor cameras
- BS.9865** C-mount with 0.65x magnification for 2/3 inch sensor cameras

Delphi-X Inverso

- DI.9840** C-mount with high resolution 0.40x objective for 1/3 inch C-mount camera

- DI.9850** C-mount with high resolution 0.50x objective for 1/2 inch C-mount camera

- DI.9810** C-mount with 1x magnification for C-mount camera

Delphi-X Observer

- DX.9835** C-mount with high resolution relay 0.35x objective for 1/3 inch C-mount camera

- DX.9850** C-mount with high resolution relay 0.50x objective for 1/2 inch C-mount camera

- DX.9863** C-mount with high resolution relay 0.63x objective for 2/3 inch C-mount camera

- DX.9810** C-mount with 1 magnification for C-mount camera

Oxion Inverso

- OX.9810** C-mount adapter with 1x magnification for 1" cameras

- OX.9833** C-mount adapter with 0.33x objective for Oxion microscopes and 1/3" cameras

- OX.9850** C-mount adapter with 0.5x objective for Oxion and Oxion Inverso microscopes and 1/2" cameras

NexiusZoom

- NZ.9850** C-mount adapter with 0.5x objective for NexiusZoom microscopes and 1/2" cameras

StereoBlue

- SB.9850** C-mount adapter with 0.5x objective for StereoBlue microscopes and 1/2" cameras

accessories

for microscopy



accessories



product information

- ILLUMINATION SOLUTIONS • 362
- DISSECTION INSTRUMENTS & KITS • 370
- MICROSCOPE PREPARED SLIDES • 374
- MICROSCOPE SLIDES PROFESSIONAL • 386
- DISPOSABLES • 392
- STAINS • 393

LE.1975

FEATURED



LE.1975

Discover the LE.1975, a polarizing LED ringlight
page 366

illumination solutions

For stereo microscopes choosing the right illumination is essential to obtain a perfect image with maximum resolution. LED light sources have a much longer life span, less energy consumption and less heating than halogen light sources

The major advantage of LED illumination is the constant light spectrum at all light intensity levels. These light sources are suitable for all kinds of applications in industry, life sciences and materials sciences

illumination solutions



education



university



life science



industry

ACCESSOIRES
FOR MICROSCOPY
9

ILLUMINATION SOLUTIONS

The right light source solution can enhance and reveal the details you want to examine



Illumination solutions

MULTIFUNCTIONAL 150 W HALOGEN OR 30 W POWER-LED • COLD LIGHT SOURCE



A powerful multifunctional 150 W halogen (LE.5211) and 30 W PowerLED cold light source is ideal for the advanced requirements of numerous applications in life and materials science. The intensity is adjustable and has a built-in forced air cooling. The LE.5211 and LE.5211-LED light sources require a light fiber conductor such as the single LE.5213 or the dual LE.5214 light fiber conductors. The LE.5213 and LE.5214 light conductors can be equipped with a lens holder (LE.5222) and a focusing lens (LE.5224)

● LE.5211-LED / LE.5211 + LE.5214 + 2x LE.5222 + 2x LE.5224

Power	150 W halogen	30 W PowerLED (equivalent to 120 W halogen)
Luminous flux	21,000 lux max ¹⁾	30,000 lux max.*
Color temperature	3,000 K	6,500 K
Operating voltage	230 V ac / 15 V dc (50/60 Hz)	230 V ac / 12 V dc (50/60 Hz)
Dimensions	(h) 150 x (w) 150 x (d) 230 mm	150 (h) x 150 (w) x 230 mm (d)
Weight	3,9 kg	2.8 kg
Model	LE.5211	LE.5211-LED

* with LE.5214 dual arm light conductor

MULTIFUNCTIONAL 100 W HALOGEN • COLD LIGHT SOURCE

This popular multifunctional cold light source contains a 100 W halogen light source. The intensity is adjustable and it has a built-in forced air cooling. The LE.5210 light source requires a light fiber conductor such as the single LE.5213 or the dual LE.5214 light fiber conductors. The LE.5213 and LE.5214 light conductors can be equipped with a lens holder (LE.5222) and a focusing lens (LE.5224). Ideal for all kinds of applications in life and materials sciences, various industrial applications and for stereo microscopy



Power	100 W halogen
Luminous flux	20,000 lux max.*
Color temperature	3,000 K
Operating voltage	110 and 230 V ac / 12 V dc (50/60 Hz)
Dimensions	115 (h) x 320 (w) x 215 mm (d)
Weight	3.8 kg
Model	LE.5210

* with LE.5214 dual arm light conductor

COMPACT SINGLE 20 W LIGHT SOURCE

Compact cold light source with single 40 cm, 6 mm diameter fiber light conductor. Equipped with a 20 W halogen lamp. Light intensity is factory preset and can not be adjusted



Power	20 W halogen
Color temperature	3,000 K
Operating voltage	110 V ac and 230 V ac versions (50/60 Hz)
Dimensions	80 (h) x 110 (w) x 165 mm (d)
Weight	2.0 kg
Model	LE.5209

ECONOMICAL AND COMPACT DUAL 3 W LED • LIGHT SOURCE

Economical dual LED intensity adjustable light source with two 44 cm flexible gooseneck arms, each mounted with a 3 W LED. Ideal for applications in life and materials sciences, various industrial applications and for stereo microscopy

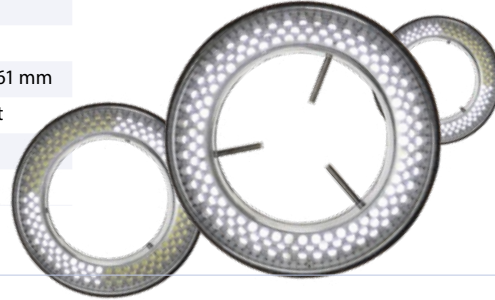


Power	2x 3 W LED = 2x 28 W halogen equivalent
Luminous flux	25,000 lux
Color temperature	6,500 K
Operating voltage	100-240 V ac / 5 V dc (50/60 Hz)
Dimensions	70 (h) x 106 (w) x 140 mm (d)
Weight	1.5 kg
Model	LE.5207

144 LEDS RINGLIGHT SOURCE • LE.1973

Ring illumination	144 LEDs with adjustable intensity and 4 segment illumination
Color temperature	6,500 K
Illuminance	23,000 lux at 100 mm distance
working distance:	from 55 to 200 mm
Mounting	for stereo head with diameter from 25 to 61 mm
Power supply	100-240 V ac / 12 V dc (50/60 Hz) / 4.5 Watt
External diameter	100 mm
Model	LE.1973

LED ringlight source with high illuminance and segment illumination for all kinds of demanding applications



COMPACT 72 LEDS • LE.1974

Compact 20,000 lux LED ringlight source



Ring illumination	72 LEDs with adjustable intensity and 4 segment illumination
Color temperature	6,500 K
Illuminance	21,000 lux at 100 mm distance
working distance:	from 50 to 180 mm
Mounting	for stereo head with diameter from 25 to 61 mm
Power supply	100-240 V ac / 12 V dc (50/60 Hz) / 4 Watt
External diameter	100 mm
Model	LE.1974

LED RINGLIGHT • LE.1979

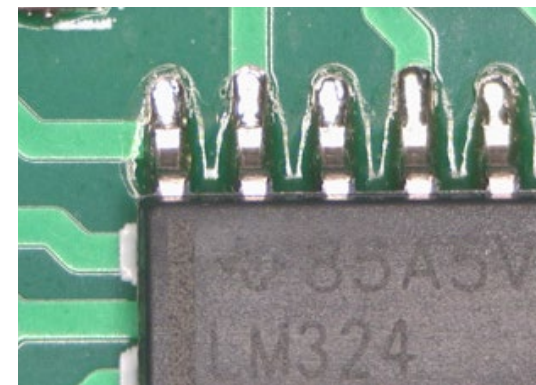
Ring illumination	144 LEDs with adjustable intensity and diffuser
Color temperature	6,500 K
Illuminance	21,000 lux at 100 mm distance
working distance:	50 to 180 mm
Mounting	for stereo head with diameter from 45 to 77 mm
Power supply	290-240 V ac / 12 V dc (50/60 Hz)
External diameter	120 mm
Model	LE.1979



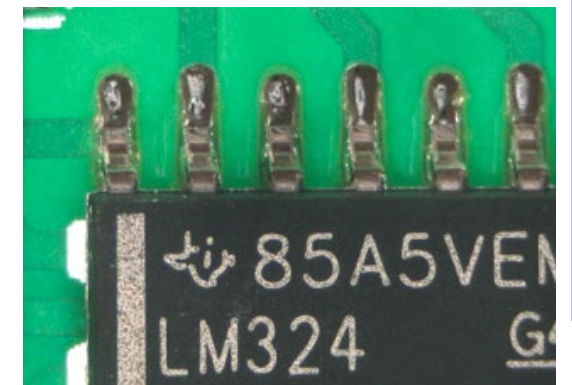
POLARIZING LED RINGLIGHT • LE.1975

LED ringlight with white or polarized light for all kinds of demanding applications

Ring illumination	16 high power LEDs with adjustable intensity
Color temperature	6,500-7,500 K
Illuminance	≥ 44000 lux at 100 mm distance
working distance:	from 40 to 120 mm
Mounting	for stereo head with diameter from 25 to 61 mm
Power supply	100-240 V ac / 12 V DC
External diameter	90 mm
Model	LE.1975



● without polarization



● with polarization

ILLUMINATION STATION LE.5212

Light source station with multiple power supply connections for two self-sustaining gooseneck-type guides, one ringlight and one transmitted stage illumination. For stand-alone usage or mounted on stereo microscope pillar stands with diameters up to 44 mm or with 35- and 25-mm pole mounting adapter rings

Each self-sustaining gooseneck-type LED guide is equipped with a 3-lens focusing head and has a length of 56 cm
 White 6,500 K LED ringlight generating with 60 LEDs up to 24,000 Lux. Mounting diameters from 21 to 61 mm
 Transmitted light stage illumination with a 6,500 K white LED generating up to 8,000 Lux with 42 LEDs.
 Stage diameter 94.5 and 15 mm thick

MODELS	3 W gooseneck guide LED	4 W white LED ringlight	2 W white LED transmitted light stage
LE.5212	White LED, 6,500 K	•	•
LE.5212-365	365 nm, monochrome	•	•
LE.5212-395	395 nm, monochrome	•	•
LE.5212-420	420 nm, monochrome	•	•



ACCESSORIES AND SPARE PARTS

for LE.5210, LE.5211 and LE.5211-LED cold light sources

FIBER LIGHT CONDUCTORS

- LE.5213** Single arm fiber light conductor, gooseneck self-sustaining, 50 cm long, 4 mm diameter
- LE.5214** Dual arm fiber light conductor, gooseneck self-sustaining, 50 cm long, 4 mm diameter
- LE.5216** Single arm flexible fiber light conductor, 100 cm long, 4 mm diameter

- LE.5222** Focusing head for focusing lens LE.5224 or filters LE.5229 and LE.5231 (for fiber light conductors)
- LE.5224** Focusing lens. Requires LE.5222 or LE.5228 for mounting on LE.5213 and LE.5214
- LE.5228** Focusing head with iris diaphragm (for fiber light conductors)
- LE.5231** Conversion KB12/80B filter

HALOGEN BULBS AND FUSES

- SL.5219** Halogen 100 W 12 V bulb with reflector (50 hrs nominal), MR16 fits LE.5210
- SL.5230** Halogen 100 W 12 V 'Long Life' bulb (1,000 hrs nominal), MR16 fits LE.5210
- SL.5235** Halogen 150 W 15 V bulb (50 hrs nominal), MR16 fits LE.5211
- SL.5240** Halogen 150 W 15 V 'Long Life' bulb (500 hrs nominal), MR16 fits LE.5211

- LE.5263** Interchangeable self-sustaining gooseneck-type guide with a 420 nm high-power Violet-LED for NZ.9018, LE.5207 or LE.5212, 1 pc (D)
 - LE.5264** Polarization filter, screw on type for Interchangeable self-sustaining gooseneck-type guides for NZ.9018, LE.5207 or LE.5212, 1 pc
- WD = working distance

FOR LE.5212

- LE.5260** Interchangeable self-sustaining gooseneck-type guide with a white 6,500 K high-power LED for NZ.9018, LE.5207 or LE.5212, 1 pc (A)
- LE.5261** Interchangeable self-sustaining gooseneck-type guide with a 365 nm high-power UV-LED for NZ.9018, LE.5207 or LE.5212, 1 pc (B)
- LE.5262** Interchangeable self-sustaining gooseneck-type guide with a 395 nm high-power Violet-LED for NZ.9018, LE.5207 or LE.5212, 1 pc (C)



● Dual arm fiber light conductor



● LE.5212 on a NexusZoom stand (NZ.9000) with NexusZoom binocular head (NZ.5302)

PREPARATION ACCESSORIES

Euromex offers the right tools for sample preparing. Before using a microscope good samples are essential to get the most accurate results



product information

dissection instruments

- PB.5050** Dissecting needle, straight tip with plastic handle
- PB.5054** Dissecting needle, lancet-shaped with plastic handle
- PB.5056** Blunt-pointed probe, Ø 2 mm, length 140 mm
- PB.5058** Section lifter with wooden handle
- PB.5060** Serrated thumb dressing forceps, length 13 mm
- PB.5062** Dressing forceps with blunt tips, length 13 cm
- PB.5064** Dressing forceps with blunt tips, length 20 cm
- PB.5067** Dissecting forceps with sharp tips, length 13 cm
- PB.5069** Dissecting forceps with finely curved sharp tips, length 13 cm
- PB.5077** Cover glass forceps, length 11 cm



SCISSORS AND BLADES

- PB.5080** Dressing scissors with blunt/sharp tip, length 14 cm
- PB.5084** Dissecting scissors, sharp tips, length 11 cm
- PB.5092** Scalpel with blunt tip, length 15 cm
- PB.5094** Scalpel handle no. 4 (for blades PB.5095 and PB.5096)
- PB.5095** Scalpel blades with sharp tip, 5 pieces per set
- PB.5096** Scalpel blades with blunt tip, 5 pieces per set
- PB.5103** Strop, double sided for stropping of scalpels, microtome knives. Includes stropping paste
- PB.5105** Razor plano/concave, for sectioning. With plastic handle
- PB.5106** Microtome knife plano/concave. With fixed handle, length 17 cm



HANDHELD MICROTOMES

- MT.5500** Cylinder microtome. Circular stage Ø 70 mm with flat black glass top. Height adjustable with micrometer division 0.01 mm. Complete with plano-concave knife PB.5106 and wooden cabinet
- MT.5501** Cylinder microtome. Identical to MT.5500 but without knife and wooden cabinet
- MT.5503** Handheld microtome. Box type with table clamp and razor blade holder. Thickness adjustment by 0.025 mm intervals. Complete with wooden cabinet



ACCESSORIES FOR MICROSCOPY

9

PREPARATION ACCESSORIES



product information



dissection kits

4-PC DISSECTION KIT

PB.5110 IN IMITATION LEATHER CASE

Kit with straight dissecting needle (PB.5050), dissecting forceps (PB.5067), dissecting scissors (PB.5084) and scalpel (PB.5092). Supplied with imitation leather case

6-PC DISSECTION KIT

PB.5111 IN PLASTIC CASE

Kit with straight dissecting needle (PB.5050), lancet-shaped dissecting needle (PB.5054), dissecting forceps (PB.5067), dissecting scissors (PB.5084), scalpel handle no. 4 (PB.5094) and blades (PB.5096). Supplied with plastic case

10-PC DISSECTION KIT

PB.5112 IN IMITATION LEATHER CASE

Kit with two straight dissecting needles (PB.5050), lancet-shaped dissecting needle (PB.5054), dressing forceps (PB.5062), dissecting forceps (PB.5067), scissors (PB.5080), dissecting scissors (PB.5084), two scalpels (PB.5094), five scalpel blades with straight tip and five blades with blunt tip (PB.5095/PB.5096). Supplied with imitation leather case



● PB.5112

9-PC DISSECTION KIT

PB.5114 IN WOODEN CASE

Kit with two straight dissecting needles (PB.5050), lancet-shaped dissecting needle (PB.5054), dressing forceps (PB.5062), dissecting forceps (PB.5067), scissors (PB.5080), dissecting scissors (PB.5084), two scalpels (PB.5094), five scalpel blades with straight tip and five blades with blunt tip (PB.5095/PB.5096). Supplied with wooden cabinet



● PB.5114

6-PC DISSECTION KIT FOR KOI FISH

PB.5115 IN PLASTIC CASE

Dissecting set for Koi fish. Consisting of plastic box with forceps with 1 x 2 points (PB.5060), forceps blunt points, 13 cm (PB.5062), scissors, blunt/ sharp points, 14 cm (PB.5080), microscope scissors, sharp points, 11 cm (PB.5084), blunt-pointed probe (PB.5056), scalpel handle no. 4 (PB.5094), five scalpel blades with straight tip and five blades with blunt tip (PB.5095/PB.5096)



● PB.5115

PROFESSIONAL SLIDE PREPARATION KIT

PB.5125 IN PLASTIC DELUXE CASE

Kit with three prepared slides, 50 microscope slides (PB.5150) and 100 cover glasses (PB.5165). Two microscope slides with cavity. Canada balsam, dissecting needle (PB.5050 and PB.5054). Dissecting forceps (PB.5067), dissecting scissors (PB.5084) and scalpel (PB.5092). Supplied with plastic deluxe case



● PB.5125

● PB.5110

● PB.5111

MICROSCOPE PREPARED SLIDES



Euromex offers teachers, students and microscopy amateurs a wide range of quality micro-slides, which can be used immediately in biology classes as introduction to histology, zoology and botany

sets with 25 slides for education

histology, zoology and botany set

PB.5211 FOR EDUCATION

Set with 25 microscopy slides for education: histological samples of mammals, zoology and botany. All microscope slides are supplied in a plastic box for 25 slides. The set contains:

HISTOLOGY

- SH.1011** Hard bone grinding, human, section
- SH.1045** Skeletal muscle, dog, l.s and c.s
- SH.1072** Skin section through hair follicle, human
- SH.1078** Stratified flat epithelium, dog, section
- SH.1150** Blood smear, human, Giemsa stained

ZOOLOGY

- SZ.1510** Amoeba proteus, w.m
- SZ.1580** Hydra with bud, w.m
- SZ.1640** Lumbricus - earthworm, c.s
- SZ.1655** Daphnia sp., water flea, w.m
- SZ.1715** Musca domestica, house fly, mouth parts
- SZ.1717** Musca domestica, house fly, leg with clinging pads
- SZ.1719** Musca domestica, house fly, wing w.m

BOTANY

- SB.2006** Allium cepa, onion, scale epidermis, w.m
- SB.2009** Allium cepa, onion, mitosis root tip, l.s
- SB.2055** Zea mays, corn, stem, cs
- SB.2060** Triticum aestivum, wheat, stem, c.s
- SB.2070** Helianthus, sunflower, young stem, c.s
- SB.2130** Helianthus, sunflower, leaf, c.s
- SB.2205** Monocot/dicot flower, zea mays/ranunculus, c.s
- SB.2212** Lilium, lily, ovary, c.s
- SB.2335** Mnium, w.m
- SB.2355** Rhizopus nigricans, bread mold, developed sporangia
- SB.2377** Diatoms, w.m
- SB.2381** Spirogyra sp., vegetative mass, w.m
- SB.2405** Dental plaque, smear

histology, zoology and botany set

PB. 5212 FOR EDUCATION

Set with 25 microscopy slides for education: histological samples of mammals, zoology and botany. All microscope slides are supplied in a plastic box for 25 slides. The set contains:

HISTOLOGY

- SH.1001** Loose connective tissue, rabbit
- SH.1005** Hyaline cartilage rabbit, section
- SH.1160** Lymph node, rabbit, section
- SH.1230** Small intestine, dog, c.s
- SH.1250** Liver, pig, section
- SH.1430** Cerebrum section, dog

ZOOLOGY

- SZ.1520** Paramecium, w.m
- SZ.1625** Schistosoma Japonicum, fluke eggs, bilharziöse
- SZ.1630** Taenia, tapeworm cattle, mature proglottid, w.m
- SZ.1635** Ascaris megalcephala, horse roundworm, female + male, c.s
- SZ.1708** Apis mellifica, honey bee, mouth parts
- SZ.1725** Periplaneta, cockroach, mouth parts of chewing type
- SZ.1730** Pieris brassicae, cabbage-white butterfly, mouth, w.m
- SZ.1750** Periplaneta, cockroach, spiracle of insect, w.m

BOTANY

- SB.2095** Monocot/dicot stem, zea mays/pumpkin, c.s
- SB.2105** Hibiscus, young stem, c.s
- SB.2110** Cucurbita, pumpkin, stem, l.s
- SB.2115** Sambucus, elderberry or Morus Alba, mulberry, stem with cork cambium + lenticels, c.s
- SB.2160** Lilium, lily leaf, c.s
- SB.2225** Zea mays, corn, corn seed with embryo, l.s
- SB.2235** Pirus, pear, stone cells, section
- SB.2240** Triticum aestivum, wheat, kernel, l.s
- SB.2305** Cyrtomium, holly fern, c.s of rhizom
- SB.2310** Cyrtomium, holly fern, section
- SB.2386** Oscillatoria, blue-green algae

USED ABBREVIATIONS

USED ABBREVIATIONS	
c.s	cross section
l.s	longitudinal section
w.m	whole mount

histology, zoology and botany set

PB. 5213 FOR EDUCATION

Set with 25 microscopy slides for education: histological samples of mammals, zoology and botany. All microscope slides are supplied in a plastic box for 25 slides. The set contains:

HISTOLOGY

- SH.1006** Elastic cartilage, rabbit
- SH.1040** Smooth muscle, teased preparation, rabbit, l.s+c.s
- SH.1110** Lung with injected blood vessels, rabbit, c.s

- SH.1130** Artery and vein, rabbit, c.s
- SH.1410** Nerve, rabbit, c.s and l.s

ZOOLOGY

- SZ.1535** Euglena virides, a flagellate with eyespot
SZ.1586 Hydra, w.m of tentacles
SZ.1620 Schistosoma Japonicum, female, w.m
SZ.1705 Apis mellifica, honey bee, posterior leg, w.m
SZ.1733 Pieres brassicae, cabbage-white butterfly, part of wing
SZ.1738 Locusta, grasshopper, mouth parts, w.m
SZ.1780 Insects - four types of legs, honey bee, house fly, house mosquito, spider
SZ.1877 Rana sp, frog, blood smear

BOTANY

- SB.2011** Zea mays, corn root tip with hairs, l.s
SB.2020 Helianthus, sunflower, old root, c.s
SB.2025 Monocot/dicot plant roots, zea mays/helantius, c.s
SB.2040 Solanum tuberosum, potato, starch grains
SB.2075 Tilia, lime tree, one year stem, c.s
SB.2091 Hydrilla stem, c.s
SB.2100 Pelargonium hortorum, geranium, stem c.s
SB.2337 Mniium, antheridial branch, l.s
SB.2339 Mniium, archegonial branch, l.s
SB.2373 Coprinus, ink caps mushroom, section of pleus
SB.2380 Spirogyra sp. in conjugation
SB.2420 3 types of bacteria, cocci, bacilli, spirelli

histology, zoology and botany set

PB. 5214 FOR EDUCATION

Set with 25 microscopy slides for education: histological samples of mammals, zoology and botany.

All microscope slides are supplied in a plastic box for 25 slides. The set contains:

HISTOLOGY OF MAMMALS

- SH.1060** Tendon l.s (Dense connective tissue), dog
SH.1075 Skin section with sweat gland, human
SH.1330 Testis rabbit, c.s
SH.1340 Ovary rabbit with developed eggs
SH.1360 Sperm, human, smear
SH.1490 Retina, rabbit, sec

ZOOLOGY

- SZ.1522** Paramecium conjugation w.m
SZ.1524 Paramecium in fission, w.m
SZ.1540 Trachelomonas, a free swimming type euglena
SZ.1585 Hydra with endoderm + ectoderm, c.s
SZ.1710 Apis mellifica - honey bee compound eye, w.m
SZ.1720 Culex pipiens - house mosquito, larva w.m
SZ.1724 Giant chromosomes of salivary gland, w.m
SZ.1810 Mya arenaria, clam gill, c.s
SZ.1860 Lancelet, Section through gonads and gills, c.s

BOTANY

- SB.2015** Ranunculus, buttercup, root c.s
SB.2076 Tilia, lime tree, 1, 2 & 3 year stem, c.s on one slide
SB.2080 Pinus - pine tree, stem l.s
SB.2140 Triticum, wheat, leaf, c.s
SB.2150 Monocot/dicot leaves, zea mays/ligustrum lucidum, c.s
SB.2230 Pinus, pine tree, male (cone) globose fruit l.s
SB.2232 Pinus, pine tree, female (cone) globose fruit l.s
SB.2315 Fern, prothallium w. young sporophyte w.m
SB.2320 Cyrtomium, fern, leaf with sporangia
SB.2384 Volvox sp. w.m

histology, zoology and botany set

PB. 5215 FOR EDUCATION

Set with 25 microscopy slides for education: histological samples of mammals, zoology and botany.

All microscope slides are supplied in a plastic box for 25 slides. The set contains:

HISTOLOGY

- SH.1043** Cardiac muscle, dog, l.s
SH.1070 Squamous epithelium, human, isolated cells from mouth, smear
SH.1315 Kidney rat, sec. cortex & medulla
SH.1420 Cerebellum section, dog
SH.1450 Spinal cord, rabbit, c.s
SH.1470 Taste buds, rabbit, l.s

ZOOLOGY

- SZ.1610** Planaria, flat worm, injected intestinal tube, w.m
SZ.1636 Ascaris megaloccephala, horse roundworm, mitosis eggs
SZ.1760 Ctenocephalus canis, dog flea, w.m
SZ.1770 Tetranychus, red spider mite, w.m
SZ.1930 Bird, wing and down feather, section
SZ.1940 Chicken, embryo 48 hours, sagittal section

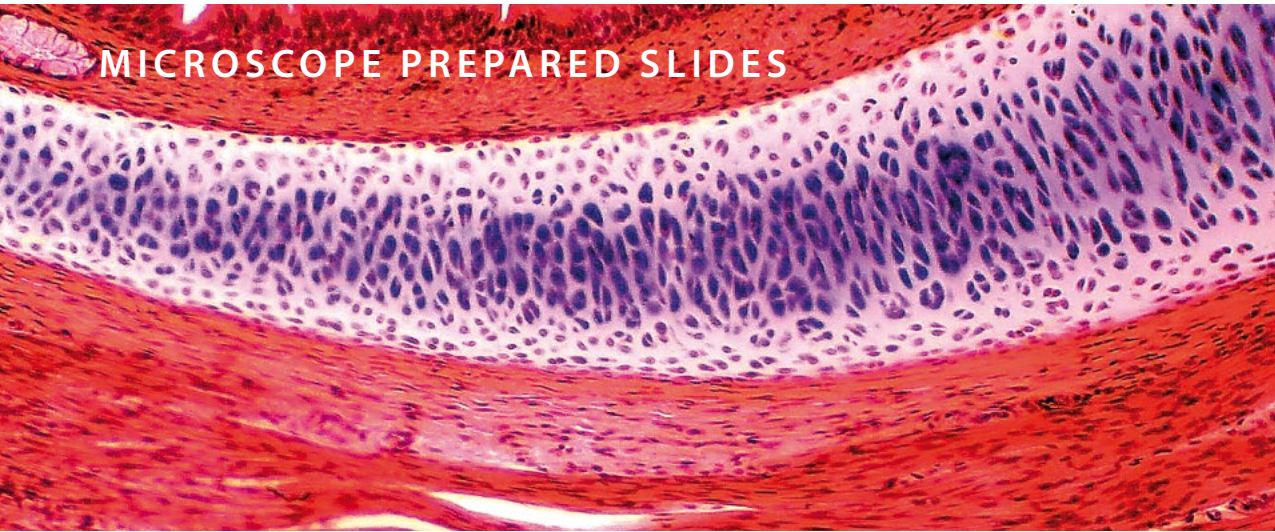
BOTANY

- SB.2090** Hydrilla verticillata, hydrilla stem tip, l.s
SB.2112 Cucurbita, pumpkin, stem, c.s
SB.2135 Nerium oleander, leaf with sunken stomata, c.s
SB.2210 Lilium, lily, anther with mature pollen, c.s
SB.2214 Lilium, lily, pollen, different stages of meiosis
SB.2220 Capsella, shepherds' purse, ovary w. embryo in pre-cotyledon stadium, l.s
SB.2222 Capsella, shepherds' purse, ovary w. embryo in cotyledon stadium, l.s
SB.2234 Pinus, pine tree, pollen, w.m
SB.2330 Marchantia, liverworts, thallus with gemma cup, c.s
SB.2360 Saccaromyces sp., yeast, budding, w.m
SB.2365 Penicillium sp., w.m
SB.2410 Streptococcus lactis, milk bacteria, smear
SB.2415 Bacillus subtilis, hay bacteria, smear

USED ABBREVIATIONS

c.s	cross section
l.s	longitudinal section
w.m	whole mount

MICROSCOPE PREPARED SLIDES



sets with 23 slides for education

mammal histology set

PB.5221 SET FOR EDUCATION

Set with 23 microscopy slides for education: histological samples of mammals.
All microscope slides are supplied in a plastic box for 25 slides. The set contains:

EPITHELIUM AND CONNECTIVE TISSUES

- SH.1001** Loose connective tissue, rabbit
- SH.1005** Hyaline cartilage, rabbit, section
- SH.1011** Hard bone grinding, human, section
- SH.1049** Muscle types, striated, smooth, heart muscle, dog, l.s
- SH.1060** Tendon, dog, l.s
- SH.1070** Squamous epithelium, human, isolated cells from mouth, smear
- SH.1072** Skin section through hair follicle, human
- SH.1078** Stratified flat epithelium, dog, section

RESPIRATORY, BLOOD CIRCULATION AND ENDOCRINE SYSTEM

- SH.1120** Trachea rabbit, c.s
- SH.1130** Artery and vein, rabbit, c.s
- SH.1150** Blood smear, human, Giemsa stained

DIGESTIVE SYSTEM

- SH.1210** Stomach wall, dog, section
- SH.1230** Small intestine, dog, c.s
- SH.1250** Liver, pig, section

URINARY AND GENITAL SYSTEM

- SH.1310** Injected kidney, rabbit, sec
- SH.1330** Testis, rabbit, c.s
- SH.1340** Ovary with developed eggs, rabbit
- SH.1376** Human chromosomes in blood, female

NERVOUS SYSTEM AND SENSORY ORGANS

- SH.1410** Nerve, rabbit, c.s and l.s
- SH.1430** Cerebrum section, dog
- SH.1450** Spinal cord, rabbit, c.s
- SH.1470** Taste buds, rabbit, l.s
- SH.1490** Retina, rabbit, sec

mammal histology set

PB.5222 SET FOR EDUCATION

Set with 23 microscopy slides for education: histological samples of mammals.
All microscope slides are supplied in a plastic box for 25 slides. The set contains:

EPITHELIUM AND CONNECTIVE TISSUES

- SH.1006** Elastic cartilage, rabbit
- SH.1012** Hard bone grinding of rabbit, tooth, de-calcium
- SH.1040** Smooth muscle, teased preparation, rabbit, l.s+c.s
- SH.1043** Cardiac muscle, dog, l.s
- SH.1045** Skeletal muscle, dog, l.s and c.s
- SH.1075** Skin section with sweat gland, human
- SH.1080** Ciliated epithelium, trachea, rabbit

RESPIRATORY, BLOOD CIRCULATION AND ENDOCRINE SYSTEM

- SH.1110** Lung with injected blood vessels, rabbit, c.s
- SH.1140** Pancreas, rabbit, section
- SH.1160** Lymph node, rabbit, section
- SH.1170** Thyroid gland, rabbit, section
- SH.1180** Adrenal gland, rabbit, section

DIGESTIVE SYSTEM

- SH.1220** Oesophagus dog, c.s
- SH.1235** Large intestine, dog, c.s
- SH.1260** Gall bladder, dog, section
- SH.1280** Golgi apparatus in Basal spinal ganglion, dog

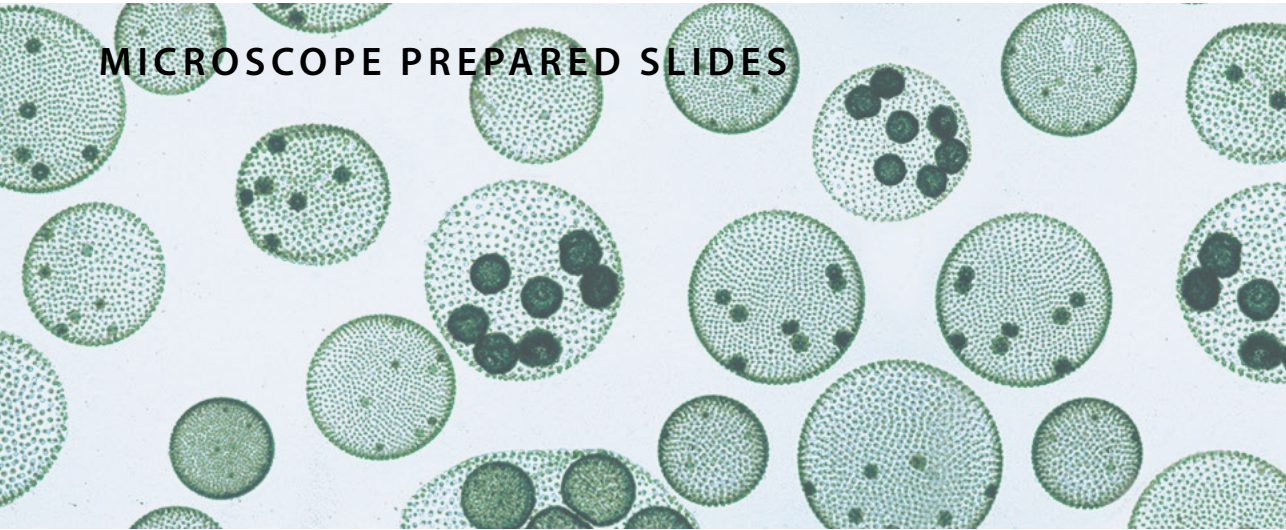
URINARY AND GENITAL SYSTEM

- SH.1315** Kidney, rat, sec. cortex & medulla
- SH.1360** Sperm, human, smear
- SH.1375** Human chromosomes in blood, male
- SZ.1724** Fruit fly, drosophila, giant chromosomes of salivary gland, w.m

NERVOUS SYSTEM AND SENSORY ORGANS

- SH.1415** Motor nerve cells with end plates, rabbit, w.m
- SH.1420** Cerebellum section, dog
- SH.1480** Eyeball section, rabbit, sagittal section

MICROSCOPE PREPARED SLIDES



set for hobby 10 slides

zoology and botany set

PB.5204 SET FOR HOBBY

Set with 10 prepared microscopy slides for hobby: zoology and botany.

All microscope slides are supplied in a plastic box with transparent cover for 25 slides. The set contains:

ZOOLOGY

- SH.1040** Smooth muscle, teased preparation, rabbit, l.s and c.s
- SH.1110** Lung with injected blood vessels, rabbit, c.s
- SZ.1708** Apis mellifica, honey bee, mouth parts
- SZ.1733** Pieris brassicae, cabbage white butterfly, part of wing
- SZ.1877** Rana sp, frog, blood smear
- SB.2015** Ranunculus, buttercup, root, c.s

BOTANY

- SB.2160** Liliium, lily leaf, c.s
- SB.2222** Capsella, shepherds' purse, ovary w. embryo in cotyledon stadium, l.s
- SB.2374** Aspergillus, brown mold, w.m
- SB.2384** Volvox sp., w.m

USED ABBREVIATIONS

c.s	cross section
l.s	longitudinal section
w.m	whole mount

set for hobby 25 slides

slides of histology, zoology and botany

PB.5218 SET FOR HOBBY

Set with 25 prepared microscopy slides for hobby: zoology and botany.

All microscope slides are supplied in a plastic box with transparent cover for 25 slides. The set contains:

HISTOLOGY OF HUMAN AND MAMMALS

- SH.1072** Skin section through hair follicle, human
- SH.1150** Blood smear human, Giemsa stained
- SH.1415** Motor nerve cells with end plates, rabbit w.m
- SH.1470** Taste buds, rabbit, l.s

BOTANY

- SB.2009** Allium cepa, onion, mitosis root tip, l.s
- SB.2055** Zea mays, corn, stem, cs
- SB.2075** Tilia, lime tree, one year stem, c.s
- SB.2100** Pelargonium hortorum, geranium, stem c.s
- SB.2112** Cucurbita, pumpkin, stem, c.s
- SB.2130** Helianthus, sunflower, leaf, c.s
- SB.2135** Nerium oleander, leaf with sunken stomata, c.s
- SB.2210** Liliium, lily, anther with mature pollen, c.s
- SB.2225** Zea mays, corn, corn seed with embryo, l.s

ZOOLOGY

- SZ.1520** Paramecium, w.m
- SZ.1535** Euglena virides, a flagellate with eyespot
- SZ.1580** Hydra with bud, w.m
- SZ.1630** Taenia, tapeworm cattle, mature proglottid, w.m
- SZ.1635** Ascaris megalocephala, horse roundworm, female and male, c.s
- SZ.1640** Lumbricus, earthworm, c.s
- SZ.1655** Daphnia sp., water flea, w.m
- SZ.1705** Apis mellifica, honey bee, posterior leg, w.m
- SZ.1710** Apis mellifica, honey bee compound eye, c.s
- SZ.1719** Musca domestica, house fly, wing w.m
- SZ.1722** Culex pipiens, house mosquito, female, mouth parts
- SZ.1724** Fruit fly, drosophila, giant chromosomes of salivary gland, w.m

MICROSCOPE PREPARED SLIDES



individual euoslides prepared slides

Euromex supplies complete sets and individual prepared microscope slides for educational use as well as for the hobby market

These high quality microscope slides are usually supplied directly from stock, at the very best prices.

The slides on the next page are separately available



HOW TO ORDER INDIVIDUAL EUOSLIDES

Minimum purchase quantity is 10 pieces of the same slide

The individual slides always have to be ordered together with a storage box (e.g. PB.5181 for 25 slides)

individual euoslides for histology

These histological microscope slides consist of sample of epithelium and connective tissues, the respiratory system, blood circulation, endocrine system, digestive system, urinary and genital systems, nervous system and sensory organs

EPITHELIUM AND CONNECTIVE TISSUES

- SH.1001** Loose connective tissue, rabbit
- SH.1005** Hyaline cartilage rabbit, section
- SH.1006** Elastic cartilage, rabbit
- SH.1011** Hard bone grinding, human, section
- SH.1012** Hard bone grinding of rabbit, tooth, decalcium
- SH.1040** Smooth muscle, teased preparation, rabbit, l.s and c.s
- SH.1045** Skeletal muscle, dog, l.s and c.s
- SH.1049** Muscle types, striated, smooth, heart muscle, dog, l.s
- SH.1060** Tendon, dog, l.s
- SH.1072** Skin section through hair follicle, human
- SH.1078** Stratified flat epithelium, dog, section
- SH.1080** Ciliated epithelium, trachea, rabbit

RESPIRATORY, BLOOD CIRCULATION AND ENDOCRINE SYSTEM

- SH.1110** Lung with injected blood vessels, rabbit, c.s
- SH.1120** Trachea, rabbit, c.s
- SH.1130** Artery and vein, rabbit, c.s
- SH.1140** Pancreas, rabbit, section
- SH.1150** Blood smear, human, Giemsa stained
- SH.1160** Lymph node, rabbit, section

DIGESTIVE SYSTEM

- SH.1220** Oesophagus, dog, c.s
- SH.1230** Small intestine, dog, c.s
- SH.1250** Liver, pig, section

URINARY AND GENITAL SYSTEM

- SH.1310** Injected kidney, rabbit, section
- SH.1330** Testis, rabbit, c.s
- SH.1340** Ovary with developed eggs, rabbit
- SH.1360** Sperm, human, smear

NERVOUS SYSTEM AND SENSORY ORGANS

- SH.1410** Nerve, rabbit, c.s and l.s
- SH.1415** Motor nerve cells with end plates, rabbit, w.m
- SH.1420** Cerebellum section, dog
- SH.1450** Spinal cord, rabbit, c.s
- SH.1470** Taste buds, rabbit, l.s
- SH.1490** Retina, rabbit, section

USED ABBREVIATIONS

c.s	cross section
l.s	longitudinal section
w.m	whole mount

individual euroslides for zoology

This series of zoology microscopy slides consists of samples with single-cell organisms (protozoa), coelenterate, worms (helminthes), Crustaceans (crustaceae), insects and amphibians

PROTOZOA

- SZ.1510** Amoeba proteus, w.m
- SZ.1520** Paramecium, w.m
- SZ.1522** Paramecium in conjugation w.m

- SZ.1535** Euglena virides, a flagellate with eyespot
- SZ.1540** Trachelomonas, a free swimming type euglena

COELENTERATA

- SZ.1580** Hydra with bud, w.m

HELMINTHES

- SZ.1630** Taenia, tapeworm pig, mature proglottid, w.m
- SZ.1635** Ascaris megalcephala, horse roundworm, female + male c.s
- SZ.1636** Ascaris megalcephala, horse roundworm, mitosis eggs
- SZ.1640** Lumbricus, earthworm, c.s

CRUSTACEANS

- SZ.1655** Daphnia sp., water flea, w.m

INSECTS

- SZ.1705** Apis mellifica, honey bee, posterior leg, w.m
- SZ.1708** Apis mellifica, honey bee, mouth parts
- SZ.1710** Apis mellifica, honey bee compound eye, c.s
- SZ.1719** Musca domestica, house fly, wing, w.m
- SZ.1720** Culex pipiens, house mosquito, larva, w.m
- SZ.1722** Culex pipiens, house modquito, female, mouth parts
- SZ.1724** Drosophila, fruit fly, giant chromosomes of salivary gland, w.m
- SZ.1730** Pieres brassicae, cabbage-white butterfly, mouth, w.m
- SZ.1733** Pieres brassicae, cabbage-white butterfly, part of wing
- SZ.1738** Locusta, grasshopper, mouth parts, w.m
- SZ.1760** Ctenocephalus canis, dog flea, w.m
- SZ.1780** Insects- four types of legs, honey bee, house fly, house modquito, spider

AMPHIBIANS

- SZ.1877** Rana sp, frog, blood smear
- SZ.1880** Frog uncleaved egg, c.s
- SZ.1881** Frog egg, two cells stadium, c.s
- SZ.1883** Frog egg, advanced cleavage c.s
- SZ.1885** Frog egg, blastula phase, c.s
- SZ.1887** Frog egg, early gastrula phase, c.s
- SZ.1889** Frog egg, advanced gastrula phase, c.s

individual euroslides for botany

This series of botanic microscopy slides consists of samples of sections of roots, stems, leaves, flowers, fruits and seeds, ferns and mosses, fungi, algae and bacteria

ROOTS

- SB.2006** Allium cepa, onion, scale epidermis, w.m
- SB.2009** Allium cepa, onion, mitosis root tip, l.s
- SB.2015** Ranunculus, buttercup, root, c.s

- SB.2020** Helianthus, sunflower, old root, c.s
- SB.2025** Monocot/dicot plant roots, zea mays/helantius, c.s
- SB.2040** Solanum tuberosum, potato, starch grains

STEMS

- SB.2055** Zea mays, corn, stem, c.s
- SB.2060** Triticum aestivum, wheat, stem, c.s
- SB.2070** Helianthus, sunflower, young stem, c.s
- SB.2076** Tilia, lime tree, 1, 2 and 3 year stems on one slide, c.s
- SB.2095** Monocot/dicot stem, corn/pumpkin, c.s
- SB.2100** Pelargonium hortorum, geranium, stem, c.s
- SB.2105** Hibiscus, young stem, c.s
- SB.2115** Sambucus, elderberry or Morus Alba, mulberry, stem with cork cambium and lenticels, c.s

LEAVES

- SB.2130** Helianthus, sunflower, leaf, c.s
- SB.2135** Nerium oleander, leaf with sunken stomata, c.s
- SB.2140** Triticum, wheat, leaf, c.s
- SB.2150** Monocot/dicot leaves, zea mays/ligustrum lucidum, c.s
- SB.2160** Lilium, lily leaf, c.s

FLOWERS, FRUITS AND SEEDS

- SB.2205** Monocot/dicot flower, zea mays/ranunculus, c.s
- SB.2210** Lilium, lily, anther with mature pollen, c.s
- SB.2212** Lilium, lily, ovary, c.s
- SB.2214** Lilium, lily, pollen, different stages of meiosis
- SB.2220** Capsella, shepherds' purse, ovary w. embryo in pre-cotyledon stadium, l.s
- SB.2222** Capsella, sheperd's purse, ovary w. embryo in cotyledon stadium, l.s
- SB.2225** Zea mays, corn seed with embryo, l.s
- SB.2232** Pinus, pine tree, female (cone) globose fruit, l.s
- SB.2240** Triticum aestivum, wheat, kernel, l.s

FERNS AND MOSSES

- SB.2315** Cyrtomium, holly fern, prothallium with young sporophyt, w.m
- SB.2337** Mnium, antheridial branch, l.s
- SB.2339** Mnium, archegonial branch, l.s

FUNGI

- SB.2360** Saccaromyces sp., yeast, budding, w.m
- SB.2365** Penicillium sp., w.m
- SB.2373** Coprinus, ink caps mushroom, section of pileus
- SB.2374** Aspergillus, brown mold, w.m

ALGAE

- SB.2377** Diatoms, w.m
- SB.2380** Spirogyra sp. in conjugation
- SB.2384** Volvox sp., w.m

BACTERIA

- SB.2420** 3 types of bacteria, cocci, bacilli, spirelli

HOW TO ORDER INDIVIDUAL EUROSLIDES

Minimum purchase quantity is 10 pieces of the same slide

The individual slides always have to be ordered together with a storage box (e.g. PB.5181 for 25 slides)

GLOBE SLIDES



product information

microscope slides

for professional use

Euromex offers Globe Scientific professional microscope slides in three distinct lines, to meet the demands of today's modern laboratories

MICROSCOPE SLIDES

General purpose microscope slides

The economical alternative for less demanding applications

Diamond Essentials microscope slides

Produced from the highest quality soda lime glass and ideal for use in all routine applications. These slides provide excellent quality while offering substantial savings

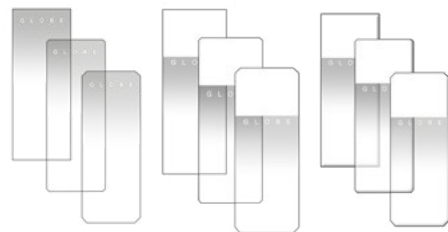
Diamond White Glass microscope slides

Produced from superior quality white glass with exceptional clarity, low self-fluorescence and uniform thickness. The glass is formulated for minimal oxidation, which ensures sample integrity during long-term storage. This top quality line is designed for the most demanding applications and provides considerable savings compared to other name brand white glass slides on the market

Globe Scientific microscope slides are offered in a large selection of Colors, corner styles and edges. All slides are pre-cleaned and ready to use. Globe Scientific can also custom produce microscope slides for your particular needs

CORNER/EDGE TYPES

- Traditional style: 90° ground edge/90° corners.
Frosted or plain
- Safety corners: 90° ground edge/slightly clipped corners.
Corners are slightly clipped for safety and comfort
- Clipped corners: 45° beveled edge/clipped corners.
No sharp edges. Perfect for blood smears



● Plain ● Frosted ● Frosted and embossed

GENERAL PURPOSE SLIDES

ITEM	Plain*	Frosted	Ground edge	Safety corners**	Case
1291	•		•	•	1440
1294		one side	•	•	1440

* The plain slides have painted dots in each corner to help alleviate sticking. All slides are pre-cleaned and ready to use
** Safety corners: 90° ground edge/slightly clipped corners. Corners are slightly clipped for safety and comfort

DIAMOND ESSENTIALS

ITEM	90° corners	Safety corners	Clipped corners	Ground edges	Beveled edges	Frosted 1 side	Frosted 2 sides	Color	Case
1301	•			•					1440
1321		•		•					1440
1331			•		•				1440
1304	•			•		•			1440
1324		•		•		•			1440
1334			•		•	•			1440
1308	•			•			•		1440
1328		•		•			•		1440
1338			•		•		•		1440
1304B	•			•		•		Blue	1440
1304G	•			•		•		Green	1440
1304N	•			•		•		Orange	1440
1304P	•			•		•		Pink	1440
1304W	•			•		•		White	1440
1304Y	•			•		•		Yellow	1440
1324B		•		•		•		Blue	1440
1324N		•		•		•		Orange	1440
1324P		•		•		•		Pink	1440
1324W		•		•		•		White	1440
1324Y		•		•		•		Yellow	1440
1334B					•	•		Blue	1440
1334G					•	•		Green	1440
1334P					•	•		Pink	1440
1334W					•	•		White	1440
1334Y					•	•		Yellow	1440

DIAMOND WHITE GLASS

ITEM	Plain	Frosted	Ground edge	Beveled edge	90° corners	Clipped corners	Charged	Color	Case
1380-10	•		•		•				1440
1384-10	•			•		•			1440
1380-20		one side	•		•				1440
1384-20		one side		•		•			1440
1380-30		two sides	•		•				1440
1384-30		two sides		•		•			1440
1380-50B		•	•		•			Blue	1440
1380-50P		•	•		•			Pink	1440
1380-50W		•	•		•			White	1440
1380-50Y		•	•		•			Yellow	1440
1384-50P		•		•		•		Pink	1440
1384-50W		•		•		•		White	1440
1358B	•	•	•		•		•	Blue	1440
1358G	•	•	•		•		•	Green	1440
1358P	•	•	•		•		•	Pink	1440
1358W	•	•	•		•		•	White	1440
1358Y	•	•	•		•		•	Yellow	1440
1354W	•			•		•	•	White	1440

ACCESSOIRES FOR MICROSCOPY

9

ACCESSOIRES FOR MICROSCOPY

9

COVER GLASSES

Our Cover glass range is produced to meet microscopy and laboratory needs, ensuring precise results in every analysis. Our cover glass protects specimens, minimizes contamination and optimizes optical performance. With premium quality, uniform thickness, exceptional clarity and chemical resistance, our cover glass is versatile for various applications. The cover glass is offered in two thicknesses and various sizes

KEY FEATURES

- **High quality material**
Made from chemically-resistant white glass
- **Uniform flatness**
Ensures consistent sample preparation and examination
- **Aluminum wrapped**
Prevents sticking, ensuring easy separation
- **2 Thicknesses**
Available in No. 1 (0.14mm) and No. 1.5 (0.175mm)
- **Recommended use**
Ideal for manual applications in histology, cytology, urinalysis and microbiology



● Cover glasses

COVER GLASS

ITEM	Size	Thickness 0.14 mm (nr. 1)	Thickness 0.175 mm (nr. 1.5)	Pcs per box	Per carton
1401-10-200	18 x 18 mm	•		200	1000
1401-15-200	18 x 18 mm		•	200	1000
1402-10-200	20 x 20 mm	•		200	1000
1402-15-200	20 x 20 mm		•	200	1000
1404-10-200	22 x 22 mm	•		200	1000
1404-15-200	22 x 22 mm		•	200	1000
1408-10-100	24 x 32 mm	•		100	1000
1408-15-100	24 x 32 mm		•	100	1000
1415-10-100	24 x 50 mm	•		100	1000
1415-15-100	24 x 50 mm		•	100	1000
1419-10-100	24 x 60 mm	•		100	1000

SLIDE MAILERS

Our range ensures secure transportation and protection for microscope slides. Engineered for durability, our mailers guarantee your specimens arrive intact

RELIABLE PROTECTION

Our mailers safeguard slides from damage, breakage and contaminants during transit, offering peace of mind for analysis or archival purposes

KEY FEATURES

- **Secure Enclosure:** Ensures slides remaining safely enclosed during transportation
- **Shock Absorption:** Minimizes damage risk with sturdy, cushioned interiors
- **Compatibility:** Accommodates standard microscope slide sizes and thicknesses
- **Convenience:** Streamlines packaging and handling with user-friendly designs
- **Versatility:** Offers various configurations to suit specific shipping and storage needs

Cardboard slide mailers

Cardboard slide mailers feature an inner finger groove for effortless slide removal along with a cover that opens for viewing. The flat surface area is ideal for labeling or writing any necessary information. They are lightweight and reusable to minimize cost. The 20-place cardboard slide holder contains a numerical index that corresponds to the inner slide compartments. The inside flaps are recessed so that there is no contact or contamination between the slides and the cover when closed. With a 360° hinge, the cover folds flat underneath to save space when the holder is in use

Extra sturdy plastic slide mailers

Our plastic slide mailers are produced from polypropylene (PP) and feature a snap-close lid to keep slides secure during transport

Plastic slide mailers with flip top lids

These compact plastic slide mailers are produced from polypropylene (PP) and feature a flip-top lid to keep slides secure during transport. The slim design saves valuable space and features inner slots which keep slides separated

Side opening — for 5 slides

The side opening lid provides easy access to the entire length of the slide



● Slide mailers

SLIDE STORAGE

Our products ensure the integrity and longevity of your slides. Choose from compact boxes or durable trays to meet your needs

KEY FEATURES

- **Secure storage:**
Protects slides from damage, dust and contaminants
- **Organization:**
Various sizes and configurations for efficient workflow
- **Compatibility:**
Accommodates standard microscope slides
- **Space-efficiency:**
Maximizes storage space in laboratories

Slide storage boxes

Globe Scientific's microscope slide storage boxes are produced from durable ABS plastic and offer a hinged lid for easy opening and closing. An inventory sheet is affixed to the inside cover for convenient slide identification and organization. The base of the box is cork lined for added protection. Available in four sizes and various colours, these storage boxes accommodate 25 x 75 mm and 1" x 3" microscope slides

Heavy-duty slide storage boxes with stainless steel clasp

These stackable boxes are produced from durable ABS plastic and feature heavy-duty stainless steel clasps and hinged lids for easy opening and closing. An inventory sheet is affixed to the inside cover for convenient slide identification and organization. The base of the box is cork lined for added protection. Available in 6 colours, these storage boxes accommodate 25 x 75 mm microscope slides



SLIDE MAILERS

ITEM	Material	Specifics	Description	Color	Packaging options
513001	Cardboard		holds 1 slide		100 & 1000
513002	Cardboard		holds 2 slides		100 & 1000
513003	Cardboard		holds 3 slides		50 & 500
513004	Cardboard		holds 4 slides		50 & 200
513025	Cardboard		holds 20 slides		1 & 10
513031	Plastic		holds 1 slide	Natural	100 & 1000
513041	Plastic		holds 2 slides	Natural	100 & 1000
513041B	Plastic		holds 2 slides	Blue	100 & 1000
513045	Plastic		holds 3 slides	natural	100 & 1000
513052	Plastic	with flip top lids	holds 2 slides	Natural	100 & 1000
513052B	Plastic	with flip top lids	holds 2 slides	Blue	100 & 1000
513062	Plastic	with flip top lids	holds 5 slides	Natural	100 & 1000
513062B	Plastic	with flip top lids	holds 5 slides	Blue	100 & 1000
513065	Plastic	Side opening	holds 5 slides	Natural	100 & 1000
513055	Plastic	Side opening	holds 5 slides	Natural	100 & 1000

SLIDE STORAGE

ITEM	Number of slides	With tray	Tray alone	Color	Dimensions (L x W x H)	Case
513029A	20			Grey		Each
513029B	20			Blue		Each
513029G	20			Green		Each
513029Y	20			Yellow		Each
513029W	20			White		Each
513250B	100	•		Blue		Each
513250G	100	•		Green		Each
513250P	100	•		Pink		Each
513250W	100	•		White		Each
513250Y	100	•		Yellow		Each
513252B	100		•	Blue		Each
513252G	100		•	Green		Each
513252P	100		•	Pink		Each
513252W	100		•	White		Each
513252Y	100		•	Yellow		Each
513072A	12			Grey	82 x 51 x 35 mm	1
513072B	12			Blue	82 x 51 x 35 mm	1
513072G	12			Dark grey	82 x 51 x 35 mm	1
513072N	12			Orange	82 x 51 x 35 mm	1
513072W	12			White	82 x 51 x 35 mm	1
513072AST	12			(1 ea. A,B,G,N,W)	82 x 51 x 35 mm	5
513075A	25			Grey	96 x 84 x 35 mm	1
513075B	25			Blue	96 x 84 x 35 mm	1
513075G	25			Dark grey	96 x 84 x 35 mm	1
513075N	25			Orange	96 x 84 x 35 mm	1
513075W	25			White	96 x 84 x 35 mm	1
513075Y	25			(1 ea. A,B,G,N,W)	96 x 84 x 35 mm	5
513077A	50			Grey	203 x 82 x 35 mm	1
513077B	50			Blue	203 x 82 x 35 mm	1
513077G	50			Dark grey	203 x 82 x 35 mm	1
513077N	50			Orange	203 x 82 x 35 mm	1
513077W	50			White	203 x 82 x 35 mm	1
513077AST	50			(1 ea. A,B,G,N,W)	203 x 82 x 35 mm	5
513079A	100			Grey	203 x 165 x 35 mm	1
513079B	100			Blue	203 x 165 x 35 mm	1
513079G	100			Dark grey	203 x 165 x 35 mm	1
513079R	100			Red	203 x 165 x 35 mm	1
513079W	100			White	203 x 165 x 35 mm	1
513079N	100			Orange	203 x 165 x 35 mm	1
513079AST	100			(1 ea. A,B,G,N,W)	203 x 165 x 35 mm	5
513080A	100			Grey	203 x 165 x 35 mm	1
513080B	100			Blue	203 x 165 x 35 mm	1
513080G	100			Dark grey	203 x 165 x 35 mm	1
513080N	100			Orange	203 x 165 x 35 mm	1
513080R	100			Red	203 x 165 x 35 mm	1
513080W	100			White	203 x 165 x 35 mm	1
513080AST	100			(1 ea. A,B,G,N,W)	203 x 165 x 35 mm	5

DISPOSABLES



product information

disposables

Microscope slides for educational use

- PB.5150** Microscope slides 76 x 26 mm, clear glass, cut edges. 50 pieces
- PB.5155** Microscope slides 76 x 26 mm clear glass, ground edges. 50 pieces
- PB.5157-W** Microscope slides 76 x 26 mm, ground white frosted side, 50 pieces
- PB.5157-B** Microscope slides 76 x 26 mm, ground blue frosted side, 50 pieces
- PB.5160** Microscope slides 76 x 26 mm with concavity, ground edges. 10 pieces

- PB.5165** Cover glasses 18 x 18 mm, thickness 0.13-0.17 mm. 100 pieces
- PB.5168** Cover glasses 22 x 22 mm, thickness 0.13-0.17 mm. 100 pieces
- PB.5170** Cover glasses Ø18 mm, thickness 0.13-0.17 mm. 100 pieces

MICROSCOPE SLIDE BOXES

- PB.5181** Black plastic slide box for 25
- PB.5180** Wooden slide box for 25 slides. White interior with index
- PB.5185** Black plastic slide box for 100 slides



● PB.5150

● PB.5180

● PB.5168 / PB.5170

STAINS

Staining enables observation of cells and tissues of low contrast. Euromex offers a range of common stains



product information



MISCELLANEOUS ACCESSORIES

- PB.5200** Staining trough for 10 slides
- PB.5210** Fine pointed brush
- PB.5245** Lens paper. 100 sheets
- PB.5250** Solid paraffin. Melting point 60°C, 200 grams
- PB.5255** Immersion oil, refractive index nD = 1.515. (25 ml)
- PB.5265** Entellan, quick drying Canada balsam. In bottle (25 ml)
- PB.5274** Isopropyl alcohol 99%. In bottle (200 ml)
- PB.5277** Formalin 40%, fixing agent. In bottle (200 ml)
- PB.5275** Cleaning kit: lens cleaning fluid, lint free lens tissue, brush, air blower, cotton swabs
- PB.5276** Microscope maintenance and servicing kit, 16 pieces: cleaning brush, screwdriver set of 6, air blower, 3 Allen keys, 1.5, 2, 2.5 mm, lens cleaning fluid 20 ml, cleaning cloth 140 x 140 mm, 100 lens tissue sheets, tube of maintenance grease, 10 ml bottle of oil, packed in a nice toolbox

(DISSOLVED) STAINS

Supplied in 25 ml bottles

- PB.5283** Eosin yellow. Stain for general overall-view coloring
- PB.5286** Haematoxylin according to Ehrlich. General purpose nuclear stain
- PB.5289** Astra Blue. Stain for vegetal cells. To be used in combination with safranin
- PB.5292** Orange-G, stain for most elementary structures of animal tissues
- PB.5295** Safranin. A general stain for showing nuclei and cellulose walls. To be used in combination with Astra Blue
- PB.5297** Methylene Blue. Biological and bacteriological stain
- PB.5300** Analin Blue, to be used as third color for Azo pigmentation
- PB.5305** Fuchsin. For staining bacilli in tissue



● PB.5276

● PB.5286 - PB.5297

● PB.5210

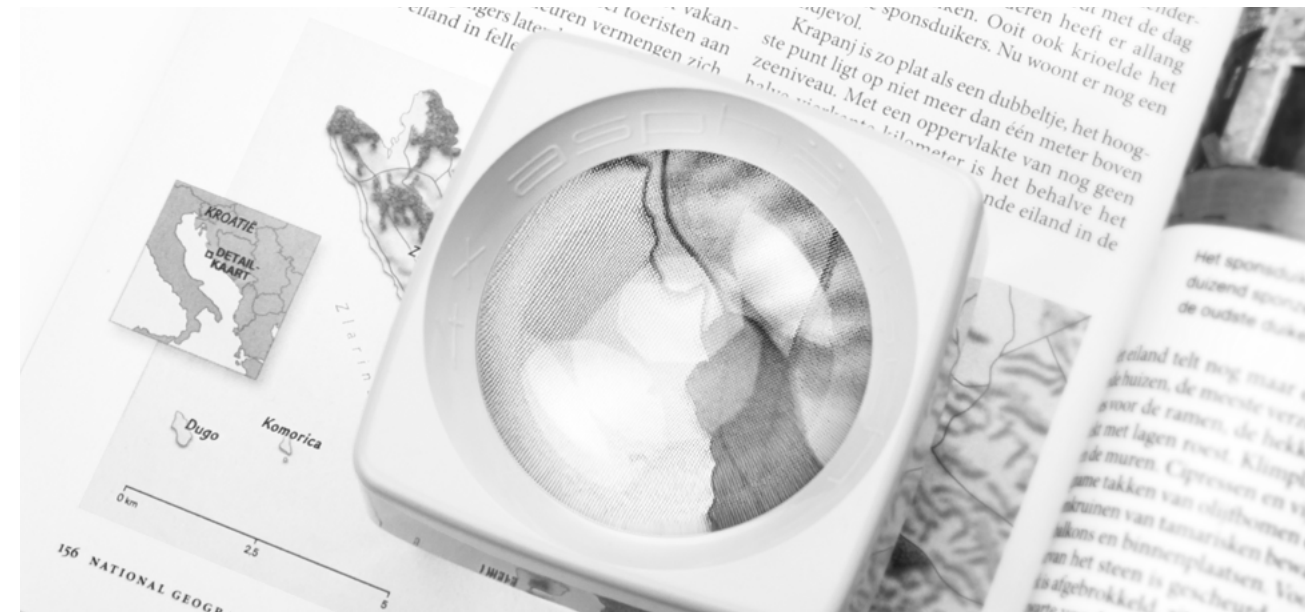
● PB.5245

other products

optical instruments



optical instruments



product information

Euromex offers a large range of optical products for a wide variety of applications in different fields

Our high-quality magnifiers, refractometers and other optical instruments all ensure an excellent optical quality and unmatched durability

- MAGNIFIERS & MEASURING MICROSCOPES • 396**
- REFRACTOMETERS • 400**
- POLARIMETERS • 406**
- SPECTROMETERS • 408**

MAGNIFIERS & MEASURING MICROSCOPES

Magnifiers are widely used by biologists, jewelers, watchmakers and philatelists to accurately observe all details of the object



product information

handheld magnifiers and magnifiers with handles

- PB.5020** Magnifier with handle 4x, lens Ø 50 mm and handle Ø 8 mm. Fits on PB.5022
- PB.5021** Magnifier with handle 10x, aplanatic lens Ø 25 mm and handle Ø 8 mm. Fits on PB.5022
- PB.5022** Heavy stand with adjustable cross clamp, base Ø 70 mm. Weight 450 grams. For PB.5022 and PB.5021



● PB.5020

● PB.5021

● PB.5022

FOLDING MAGNIFIERS

- PB.5016** Aplanatic magnifier 6x, doublet. Lens Ø 20 mm. Field of view 25 mm
- PB.5018** Aplanatic magnifier 15x, doublet. Lens Ø 18 mm. Field of view 14 mm
- PB.5032** Achromatic magnifier 10x, triplet. Lens Ø 20 mm. Field of view 15 mm
- PB.5033** Achromatic magnifier 20x, triplet. Lens Ø 20 mm. Field of view 8 mm



● PB.5032

- PB.5036** Aplanatic magnifier 10x, doublet. Lens Ø 20 mm. Field of view 20 mm
- PB.5037** Achromatic diamond magnifier 10x with four lenses Ø 21 mm. Field of view 25 mm



● PB.5016

FOLDING MAGNIFIERS WHITE LED ILLUMINATION

- PB.5034-LED** Achromatic magnifier 10x triplet. Lens Ø 21 mm. White LED illumination
- PB.5018-LED** Achromatic magnifier 15x triplet. Lens Ø 21mm. White LED illumination
- PB.5033-LED** Achromatic magnifier 20x, triplet. Lens Ø 21 mm. White LED illumination
- PB.5035-LED** Achromatic magnifier 30x triplet. Lens Ø 21 mm. White LED illumination



● PB.5034-LED

FOLDING MAGNIFIERS WHITE LED AND UV ILLUMINATION

- PB.5034-LUV** Achromatic magnifier 10x triplet. Lens Ø 21 mm. White LED and UV illumination
- PB.5018-LUV** Achromatic magnifier 15x triplet. Lens Ø 21mm. White LED and UV illumination
- PB.5033-LUV** Achromatic magnifier 20x, triplet. Lens Ø 21 mm. White LED and UV illumination
- PB.5035-LUV** Achromatic magnifier 30x triplet. Lens Ø 21 mm. White LED and UV illumination



● PB.5034-LUV

MAGNIFIERS & MEASURING MICROSCOPES

Measuring microscopes are built with a microscope objective for magnifications from 20 to 100x times



magnifiers & measuring microscopes

TABLE MAGNIFIERS

- PB.5039** Table magnifier, 15x magnification. Glass achromatic lens Ø 19 mm, field of view 15 mm
- PB.5041** Table magnifier, 10x magnification. Glass lens Ø 26 mm, field of view 25 mm
- PB.5040** Table magnifier, 8x magnification. Plastic lens Ø 23 mm, field of view 30 mm. 10mm/100 reticle



● PB.5039 / PB.5041



● PB.5040

MISCELLANEOUS MAGNIFIERS

- PB.5030** Dual sliding magnifier with 3x and 6x magnification. Lens aperture 23 x 23 mm. Fields of view 50 x 50 mm and 25 x 25 mm. Plastic housing
- PB.5049** Linen tester folding magnifier with 6x aplanatic lens. A 25 x 25 mm base with millimeter scale. Metal casing lacquered in black. Supplied with plastic case



● PB.5030



● PB.5049

MEASURING MAGNIFIERS WITH RETICLE

- PB.5044** Measuring magnifier 7x. Eyepiece Ø 18 mm. Field of view 24 mm. Measuring scale 10-0-10 mm divided into 0.1 mm and crosshairs
- PB.5045** Measuring magnifier 7x. Eyepiece Ø 18 mm. Field of view 24 mm. With 5 interchangeable scales for angle, thickness and linear measurements
- PB.5046** Measuring magnifier 10x. Eyepiece Ø 20 mm. Field of view 35 mm. Measuring scale 15-0-15 mm with 0.1, 0.2 and 0.5 mm graduations
- PB.5047** Measuring magnifier 10x. Eyepiece Ø 25 mm. Field of view 30 mm. Measuring scale 15-0-15 mm with 0.1, 0.2 and 0.5 mm graduations. White LED-illumination



● PB.5046



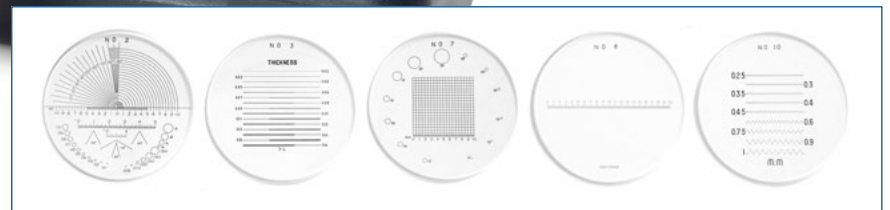
● PB.5047



● PB.5044



● PB.5045



MEASURING MICROSCOPES

- PB.5008** Measuring microscope 20x with LED illumination. Measuring scale 7.2 mm with 0.1 mm graduation
- PB.5010** Measuring microscope 40x with LED illumination. Measuring scale 3 mm with 0.05 mm graduation
- PB.5012** Measuring microscope 60x with LED illumination. Measuring scale 1.75 mm with 0.02 mm graduation
- PB.5014** Measuring microscope 100x with LED illumination. Measuring scale 1.1 mm with 0.01 mm graduation



● PB.5008

refractometers



refractometers



refractometers

Refractometers are used for the identification of substances and concentration measurements of fluids. Because the refractive index (R.I.) of a solution is proportional to the concentration, it is easy to identify the substance or to measure the purity and concentrations of solutions

The Euromex refractometers are calibrated at 20° Celsius. Most refractometers are equipped with Automatic Temperature Compensation (ATC)

REFRACTOMETERS • PAGE 402
ABBE REFRACTOMETER • PAGE 405

REFRACTOMETERS

The Euromex refractometers are ideal for determining concentrations, testing and measuring of fluids



● Analog refractometer

● Digital refractometer

refractometers

handheld and table models

A refractometer is an instrument that measures the refractive index of a liquid or refractive material such as sugar concentrations in fruits, juices, soft drinks, energy drinks, wines or must, liquors, jams, honey, industrial lubricants, antifreeze, ethanol, battery acids, salt, propylene glycol, ethylene glycol solutions

A few drops of the liquid that needs to be examined are gently deposited on a measuring prism and covered with a cover glass. The rays of the light source (ambient light, built-in LED light source or external cold-light source) will be bent (refracted) in function of the composition of the liquid under observation

This results in a shadow line between a dark and a light portion. The measured value can be directly read through a focusable eyepiece on a refraction index scale and/or on a specific built-in scale(s) of the refractometer in Brix, Oechsle, Babo units or % volume, specific gravity, protein in serum or in °C

Euromex offers portable or handheld refractometers, analogue or digital and laboratory Abbe refractometer products used in wine making, distilling, food processing, canning, beekeeping, brewing, pharmaceutical, manufacturing, machining, automotive industries

Most of the refractometers have also an A(utomated) T(emperature) C(ompensation) mechanism in order to compensate for temperature variations. Calibration can be verified with a calibration fluid (in most cases distilled water) and adjusted by a screw if needed

Application	Art no	Range	Accuracy	Remarks	ATC	Handheld model	Table model	Analog	Digital	
Concentrations of sugar in marmalades, fruits, syrups, wine and monitoring of oil emulsions	RF.6190	0-90	Brix	0.2	3 scales: 0-42 / 42-71 / 71-90 Brix	•		•		
	RF.6510	0 - 10	Brix	0.1		•	•	•		
	RF.6520	0 - 20	Brix	0.1		•	•	•		
	RF.6532	0 - 32	Brix	0.2		•	•	•		
	RF.6562	28 - 62	Brix	0.2		•	•	•		
	RF.6580	0 - 80	Brix	0.5		•	•	•		
	RF.6582	45 - 82	Brix	0.5		•	•	•		
	RF.6592	58 - 92	Brix	0.2		•	•	•		
	RF.6635	0 - 150	°Oe	1	Oechsle units	•	•	•		
		0 - 35	Brix	0.2	Sugar concentration					
		0 - 27	*KMW	0.2	Babo units					
		0 - 22	%	0.2	% volume					
		0 - 37	CNM	0.5						
		RD.6735	0 - 150	°Oe	1		•	•		•
			0 - 35	Brix	0.1					
		0 - 25	*KMW	0.1						
		0 - 22	%	0.1						
	RD.6645	0 - 45	Brix	0.1		•	•		•	
		1.33 - 1.41	R.I.	0.0003						
	RD.6666	0 - 80	Brix	0.5		•	•		•	
		1.33 - 1.51	R.I.	0.0005						
	RD.6667	58 - 92	Brix	0.2		•	•		•	
		1.43 - 1.52	R.I.	0.0003						
Honey	RF.6642	13 - 25	%	0.1	Honey moisture	•	•	•		
	RF.6644	58 - 92	Brix	0.5		•	•	•		
		38 - 43	°Be	0.5	Water					
		12 - 27	%	1						
Concentration of sugar/alcohol %	RF.6627	0 - 25	%	0.2	% volume	•	•	•		
		0 - 40	Brix	0.2						
		0 - 20	Baume	0.2						
Salinity and concentration of sugar	RF.6610	0 - 100	‰	1		•	•	•		
		0 - 10	Brix	0.1						
		1.00 - 1.07	R.I.	0.005						
	RF.6628	0 - 28	%	0.2		•	•	•		
	RD.6728	0 - 28	%	0.1	% NaCl	•	•		•	
		0 - 45	Brix	0.1						
		1.33 - 1.41	R.I.	0.0003	Only for sugar/salt					
Clinical applications Proteins	RF.6612	0 - 12	g/dl	0.2	Proteins in serum	•	•	•		
		1.00 - 1.05	sg	0.002	Urine specific gravity					
		1.333 - 1.360	R.I.	0.0003						
	RF.6614	2 - 14	g/dl	0.1	Proteins in serum	•	•	•		
		1.00 - 1.06	sg	0.001	Urine specific gravity (dog)					
		1.00 - 1.06	sg	0.001	Urine specific gravity (cat)					

Application	Art no	Range		Accuracy	Remarks	ATC	Handheld model	Table model	Analog	Digital
	RD.6712	0 - 12	g/dl	0.1	Proteins in serum	•	•			•
		1.00 - 1.05	sg	0.001	Urine specific gravity					
		1.33 - 1.39	R.I.	0.0001						
	RD.6714	0 - 14	g/dl	0.1	Proteins in serum (dog)	•	•			•
		0 - 14	g/dl	0.1	Proteins in serum (cat)					
		1.00 - 1.06	sg	0.001	Urine specific gravity (dog)					
1.00 - 1.06		sg	0.001	Urine specific gravity (cat)						
Battery Acid/Coolant	RF.6650	1.10 - 1.40	sg	0.01	Battery fluids	•	•			•
		-50 / 0	°C	5	Ethylene glycol G13					
		-50 / 0	°C	5	Propylene glycol G11/12					
		-40 / 0	°C	10	windshield washer fluid					
	RD.6730	1.0 - 1.50	sg	0.01	Battery fluids	•	•			•
		-50 / 0	°C	0.5	Ethylene glycol G13					
		-50 / 0	°C	0.5	Propylene glycol G11/12					
		-40 / 0	°C	0.5	windshield washer fluid					
		-40 / 0	°C	0.5	windshield washer fluid					
AdBlue/Urea	RF.6652	0 - 40	%	0.2		•	•			•
Identification of precious stones	RF.6381	1.30 - 1.81	R.I.	0.01				•		•

ACCESSORIES AND SPARE PARTS

- LE.5209** 20 W 12 V cold light source with single fiber light conductor (for Abbe refractometer 98.490)
- 98.492** Thermometer 0-50° C (for Abbe refractometer 98.490)
- 98.496** Calibration slide nD 1.5163 (for Abbe refractometer 98.490)

● Digital refractometer



● RF.6381



● 98.490

Abbe laboratory refractometer substance identification

The Abbe laboratory refractometer is a bench-top instrument for high-precision measurements of an index of refraction and suitable for determination of the refractive index of solid samples, such as glass, plastics and polymer films

The instrument is supplied with a thermometer and water connection to control fluid temperatures. Also equipped with a Brix and a refraction index scale and supplied with a test plate

Capable of measuring all kinds of concentrations and identifying several types of substances

The Abbe refractometer can be connected to a water bath for measuring at a controlled temperature. During the use of this type of refractometer the use of a cold light source such as the LE.5209 is recommended.

This Abbe table refractometer has scales for measurement of sugar concentrations and refractive indices. Delivered with carrying case, digital thermometer, calibration plate, adjusting tool and with 0.5 ml calibration liquid



product information

Substance identification of sugar concentration

MODEL	Range	Accuracy	Remarks	Analog
98.490	0-95 Brix	0.1	Abbe table refractometer without light source	•
	1.300-1.700 RI	0.0002		

polarimeters & spectrosopes



polarimeters & spectrosopes

A polarimeter measures the rotation angle of polarized light traveling through an optically active substance.

The rotation angle of the polarization plane of linear polarized light is different for each optical active substance as described in the Law of Biot

Polarimetry is a non-destructive test method for measuring optical activity of organic and inorganic substances. It is very useful to analyze expensive non-reproducible samples. Polarimeters are extensively used for quality and process control in research laboratories in the chemical and food industry

Spectrosopes are used to visualize the light spectrum of light sources

POLARIMETERS



product information

polarimeter

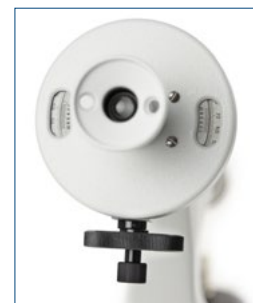
● 99.400-LED

Polarimeters are suitable for fast and accurate measurements of sugars, glucose, perfume, chemical substances and medical drugs. Equipped with a Glan Thomson prism and Laurent Quartz plate, a built-in 230 V 589.3 nm sodium lamp or a high-power LED with 589.3 nm filter

HIGHLIGHTS

The polarimeters are delivered with 100 and 200 mm observation tubes
Equipped with a built-in 230 V 589.3 nm sodium lamp or high-power LED with 589.3 nm filter
Fast and accurate

Polar scale, range $\pm 180^\circ$ with 0.1° readings.
Supplied with observation tubes of 100 mm and 200 mm.
Bright light measuring field permits reading with accuracy of 0.1° with aid of Vernier



ACCESSORIES FOR 99.400

- 99.410** Measuring tube, 100 mm long
- 99.415** Measuring tube, 200 mm long
- 99.430** Cover glass for measuring tube \varnothing 15 mm
- 99.431** Rubber ring (for 99.430)
- 99.197** Spare sodium 589.3 nm lamp

MODEL	Scales	Accuracy	Observation tubes 100 and 200 mm	230 V sodium lamp with 589.3 nm filter	230 V High power LED with 589.3 nm filter
99.400	$\pm 180^\circ$	$\pm 0.1^\circ$ polar scale	•	•	
99.400-LED	$\pm 180^\circ$	$\pm 0.1^\circ$ polar scale	•		•

SPECTROSCOPES

Euromex handheld spectrosopes are used for optical experiments in natural sciences, industry and education



product information



handheld spectrosopes

SP.5200

Handheld spectroscope with adjustable slit, comparison prism, mirror, five glass mini-cuvettes and wavelength scale 400 - 700 nm with 589 nm indication. Divisions 10 nm

- Direct vision type
- Adjustable eye lens
- Adjustable slit 0 - 1 mm
- Angle dispersion C - F 7°
- Linear dispersion 60 mm
- Comparison prism for comparison between products
- Mirror
- 5 Glass cuvettes
- Wavelength scale 400 - 700 nm



• SP.5200

MODEL	Dimensions	Weight (grams)	Adjustable slit	Comparison prism	Angle dispersion	Linear dispersion	Wavelength scale	589 nm indication	With 5 glass cuvettes
SP.5200	h50x115xp23	250	0-1 mm	•	C-F 7°	60 mm	•	•	•

SP.5155

Handheld spectroscope with adjustable slit and comparison prism, mirror and five glass cuvettes

- Direct vision type
- Adjustable eyelens
- Adjustable slit 0 - 1 mm
- Angle dispersion C - F 7°
- Linear dispersion 60 mm
- Comparison prism
- Mirror
- five Glass cuvettes



• SP.5155

MODEL	Dimensions	Weight (grams)	Adjustable slit	Comparison prism	Angle dispersion	Linear dispersion	Wavelength scale	589 nm indication	With 5 glass cuvettes
SP.5155	h45x1105xd23	125	0-1 mm	•	C-F 7°	60 mm	--	--	•

SP.5150

Handheld spectroscope with adjustable slit from 0 tot 1 mm

- Direct vision type
- Adjustable eye lens
- Adjustable slit 0 - 1 mm
- Angle dispersion C - F 7°
- Linear dispersion 60 mm



• SP.5150

MODEL	Dimensions	Weight (grams)	Adjustable slit	Comparison prism	Angle dispersion	Linear dispersion	Wavelength scale	589 nm indication	With 5 glass cuvettes
SP.5150	90 x18 mm Ø	92	0-1 mm	--	C-F 7°	60 mm	--	--	--

SP.5100

Handheld spectroscope with fixed slit

- Direct vision type
- Adjustable eye lens
- Fixed slit
- Angle dispersion C - F 6°
- Linear dispersion 40 mm



• SP.5100

MODEL	Dimensions	Weight (grams)	Adjustable slit	Comparison prism	Angle dispersion	Linear dispersion	Wavelength scale	589 nm indication	With 5 glass cuvettes
SP.5100	90 x18 mm Ø	72	--	--	C-F 6°	40 mm	--	--	--

choose the right euromex microscope

Euromex offers a large range of microscope series. Selecting the right microscope for your application might be challenging and time consuming.

To simplify this process we have listed our recommended models for most common applications in education, laboratories and industry



microscope selector

EDUCATION	FIELD OF APPLICATION	RECOMMENDED MODELS
• botany	Study of plants as branch of biology. Plant anatomy and morphology. Plant genetics and ecology. Plant biochemistry	MicroBlue, EcoBlue, BioBlue, BlueScope, BioBlue.Lab, AP series, EduBlue, StereoBlue
• digital imaging	Observation and perform analysis on microscope images, storage and share captured and videos	CMEK cameras, CCD cameras, HD cameras, EduPad, MacroZoom
• electronics	Development, production, assembling and inspection of electronic components or circuitry	bScope *, EduBlue, StereoBlue, NexiusZoom, MacroZoom
• entomology	Study of insects as branch of zoology. Identification and classification of beetles, flies, termites, moths and butterflies, bees, ants, wasps	MicroBlue, EcoBlue, BioBlue, BlueScope, BioBlue.Lab, AP series, EduBlue, StereoBlue, MacroZoom
• geology, mineralogy	Earth Science; Study of solids, rocks and processes. Identification and classification of rocks and minerals	EcoBlue***, BioBlue***, AP series, EduBlue, StereoBlue
• geology, petrology	Identification by means of petrographic microscope	EcoBlue***, BioBlue***, AP series, EduBlue, StereoBlue
• mechanics	Manufacturing and quality inspection of mechanical parts	bScope *, EduBlue, StereoBlue, NexiusZoom, MacroZoom
• microbiology	Study of microscopic uni-, multi- or acellular small organisms such as protozoa, algae, bacteria and more. Identification and classification	MicroBlue, EcoBlue, BioBlue, BlueScope, bScope
• mycology	Study of fungi as branch of biology. Identification and classification	MicroBlue, EcoBlue, BioBlue, BlueScope, BioBlue.Lab, bScope, AP series, EduBlue, StereoBlue
• petrology	Study of the composition and structure of rocks as branch of geology. Identification by means of polarization microscopes	EcoBlue***, BioBlue***, AP series, EduBlue, StereoBlue
• zoology	Animal biology. Study of invertebrates and vertebrates and related branches	MicroBlue, EcoBlue, BioBlue, BlueScope, BioBlue.Lab, bScope, AP series, EduBlue, StereoBlue, MacroZoom

UNIVERSITY LABS	FIELD OF APPLICATION	RECOMMENDED MODELS
• agronomy & forestry	Selective breeding of plants, fruit and production of food from plants, wood from trees, fuel. Plant physiology and genetics research	BlueScope, BioBlue.Lab, bScope, iScope, Achios-X Observer, StereoBlue, NexiusZoom, DZ series, MacroZoom
• anatomopathology	Diagnosis of diseases of organs or tissues. Cytopathology and forensic pathology	BioBlue.Lab, bScope, iScope, Delphi-X Observer, NexiusZoom, DZ series, UltraZoom
• asbestos control	Research of asbestos fibers, environmental protection during restoration of older buildings	iScope (asbestos and polarization), NexiusZoom, DZ series, UltraZoom, Z series
• bacteriology	Study of bacteria as subdivision of microbiology. Identification, classification	BlueScope, BioBlue.Lab, bScope, iScope, Achios-X Observer, Delphi-X Observer
• biochemistry	Study of chemical processes within living organism. Identification and classification of enzymes and structure of biomolecules	BioBlue.Lab, bScope, iScope, Achios-X Observer, Delphi-X Observer
• biomedical	Study of medical microbiology, virology, epidemiology, biomedical engineering	BioBlue.Lab, iScope, Achios-X Observer, Delphi-X Observer
• biotechnology	Study of living organism in order to make food products, for plant protection (genetically modified organism) and other bio-process engineering. Development of pharmaceutical drugs, genetic testing, enzymes production, biofuels, textile	BioBlue.Lab, bScope, iScope, Achios-X Observer, Delphi-X Observer, StereoBlue, NexiusZoom, DZ series, UltraZoom
• botany	Study of plants as branch of biology. Plant anatomy and morphology. Plant genetics and ecology. Plant biochemistry	BlueScope, BioBlue.Lab, bScope, StereoBlue, NexiusZoom, DZ series, UltraZoom, MacroZoom
• cell culture	Controlled growing of cells and tissues, fungal culture and microbiological culture	Delphi-X Inverso, Achios-X Observer, Oxion Inverso, NexiusZoom, DZ series, UltraZoom
• chemistry	Study of the composition and properties of chemicals	BioBlue.Lab, iScope */***, Achios-X Observer*, bScope *, NexiusZoom, DZ series, UltraZoom
• cosmetics	Research, development and testing (safety) of substances for make-up or perfume	iScope *, bScope *, NexiusZoom, DZ series
• cytology	Study of cell structure, function and chemistry. Detection of cellular diseases	BioBlue.Lab, iScope, Achios-X Observer, Delphi-X Observer
• dermatology	Study and diagnosis, treatment of skin, nails and hair diseases	BlueScope, BioBlue.Lab, bScope, iScope, Achios-X Observer, NexiusZoom, StereoBlue, DZ series, UltraZoom, MacroZoom
• digital imaging	Observation and analysis of microscope images, save and share captured images and videos	CMEK cameras, CCD cameras, HD cameras, Cooled cameras, EduPad, ProPad
• electronics	Development, production, assembly and inspection of electronic components or circuitry	iScope *, Achios-X Observer*, bScope *, StereoBlue, NexiusZoom, DZ series, Z series, UltraZoom, MacroZoom
• embryo collection	Embryo collection and transfer in mares, pigs, cows. Quality control	NexiusZoom, DZ series, Z series

* materials models, ** fluorescence models, *** polarization models

UNIVERSITY LABS FIELD OF APPLICATION

RECOMMENDED MODELS

• embryology	Study of gametes, embryos and fetuses	BioBlue.Lab, iScope, StereoBlue, NexiusZoom, DZ series, UltraZoom
• entomology	Study of insects as branch of zoology. Identification and classification of beetles, flies, termites, moths and butterflies, bees, ants, wasps	BlueScope, BioBlue.Lab, bScope, iScope, StereoBlue, NexiusZoom, DZ series, UltraZoom, MacroZoom
• environmental	Monitoring of environmental conditions such as water, atmosphere, ecosystems, soil and pollution	BioBlue.Lab, bScope, iScope, StereoBlue, NexiusZoom, DZ series, UltraZoom
• fluorescence	Study of living and non-living materials with the help of fluorescence markers (fluorochromes)	iScope **, Achios-X Observer**, Delphi-X Observer**, Oxion Inverso**, bScope **, DZ series**, UltraZoom**
• food and beverages	Quality and safety controls, before, during and after the production of food and beverages	BioBlue.Lab, bScope, iScope
• forensics	Analysis of scientific evidence. Toxicology, fingerprints, Forensic anthropology and archeology, forensic botany and entomology	BioBlue.Lab, iScope, iScope */ ***, Achios-X Observer, Achios-X Observer**, Achios-X Inverso, Oxion Inverso, Oxion Inverso*, NexiusZoom, DZ series, UltraZoom, Z series
• genetics	Study of genes, heredity in living organisms including bacteria, plants, animals and humans	iScope, Achios-X Observer, Delphi-X Observer, DZ series, UltraZoom
• geology, mineralogy	Earth Science; Study of solids, rocks and processes. Identification and classification of rocks and minerals	iScope *, bScope *, StereoBlue, NexiusZoom, DZ series, UltraZoom, MacroZoom
• geology, petrology	Identification by means of petrographic microscopy	iScope ***, Delphi-X Observer***, StereoBlue, NexiusZoom, DZ series, UltraZoom
• glass industry	Quality control, before, during and after the production of glass and coatings	iScope *, Achios-X Observer*, Oxion Inverso*, bScope *, StereoBlue, NexiusZoom, DZ series, UltraZoom
• hematology	Study and diagnosis, treatment and prevention of diseases of the blood	iScope, Achios-X Observer, bScope (darkfield), iScope (darkfield), Oxion (darkfield)
• histopathology	Microscopic examination of tissue, diagnosis of diseases	iScope, Achios-X Observer, Delphi-X Observer
• horticulture	Selective breeding of plants and fruit for production of food	BlueScope, BioBlue.Lab, bScope, iScope, Achios-X Observer, StereoBlue, NexiusZoom, DZ series, UltraZoom, MacroZoom
• in vitro fertilization	In vitro fertilization IFV. Quality control of collected egg and sperm	StereoBlue, NexiusZoom, DZ series, UltraZoom, Z series
• marine biology	Study of organisms living in the ocean or seas as branch of biology	BlueScope, bScope, BioBlue.Lab, iScope, Achios-X Observer,
• mechanics	Manufacturing and quality inspection of mechanical parts	Delphi-X Observer*, Achios-X Observer*, iScope *, Achios-X Inverso*, Oxion Inverso*, bScope *, StereoBlue, NexiusZoom, DZ series, UltraZoom, MacroZoom
• metallurgy	Manufacturing and quality inspection of metallic elements, intermetallic compounds and alloys	Delphi-X Observer*, Achios-X Observer*, iScope *, bScope *, bScope large samples, StereoBlue, NexiusZoom, DZ series, UltraZoom, MacroZoom
• microbiology	Study of microscopic uni-, multi- or acellular small organisms such as protozoa, algae, bacteria and more	iScope, Achios-X Observer, StereoBlue, NexiusZoom, DZ series, UltraZoom
• mycology	Study of fungi as branch of biology	BlueScope, BioBlue.Lab, bScope, iScope, Achios-X Observer, StereoBlue, NexiusZoom, DZ series, UltraZoom

UNIVERSITY LABS FIELD OF APPLICATION

RECOMMENDED MODELS

• mining	Extraction of minerals for identification, quantitative and qualitative evaluation of minerals	Achios-X Observer*, iScope * (polarization), Oxion Inverso*, bScope *, bScope large samples, StereoBlue, NexiusZoom, DZ series, UltraZoom, MacroZoom
• neuropathology	Study and diagnosis of diseases in nervous system tissue	Delphi-X Observer, Achios-X Observer, iScope, StereoBlue, NexiusZoom, DZ series, UltraZoom
• oncology	Study and diagnosis, treatment and prevention of cancers	Delphi-X Observer, Achios-X Observer, iScope
• ornithology	Study of birds as branch of zoology. Diagnosis of diseases in birds such as competition pigeons	BlueScope, BioBlue.Lab, bScope, iScope, Achios-X Observer, StereoBlue, NexiusZoom, DZ series, UltraZoom
• paleontology	Study of fossils in order to determinate organisms evolution	Achios-X Observer*, iScope *, bScope *, StereoBlue, NexiusZoom, DZ series, UltraZoom, MacroZoom
• paper industry	Production of paper related products. Quality inspection	Achios-X Observer*, iScope *, bScope *, StereoBlue, NexiusZoom, DZ series, UltraZoom, MacroZoom
• parasitology	Study of parasites, medical and veterinary	BlueScope, BioBlue.Lab, bScope, iScope, Achios-X Observer, StereoBlue, NexiusZoom, DZ series, UltraZoom, MacroZoom
• pathology	Study and diagnosis of diseases	Delphi-X Observer, Achios-X Observer, iScope
• petrochemical	Research and transformation of crude oil and natural gas	Achios-X Observer*, iScope *, bScope *, StereoBlue, NexiusZoom, DZ series
• petrology	Study of the composition and structure of rocks as branch of geology. Identification by means of polarization	iScope ***, StereoBlue, NexiusZoom, DZ series, UltraZoom
• pharmaceutics	Development and production of drugs for medication. Quality assurance and inspection of produced products	Delphi-X Observer*/**, Achios-X Observer*/**, iScope ***, StereoBlue, NexiusZoom, DZ series, UltraZoom
• phytopathology	Study and diagnosis of plant diseases	BlueScope, BioBlue.Lab, bScope, iScope, Achios-X Observer, StereoBlue, NexiusZoom, DZ series, UltraZoom
• plastics	Development and production of plastics and plastic based compounds. Quality assurance and inspection	Achios-X Observer*, iScope *, Oxion Inverso*, bScope *, StereoBlue, NexiusZoom, DZ series, UltraZoom
• textile	Development and production of all kinds of textile based products. Quality assurance and inspection	Achios-X Observer*, iScope *, bScope *, AP series, StereoBlue, NexiusZoom, DZ series, UltraZoom, MacroZoom
• veterinary medicine	Prevention, diagnosis and treatment of diseases, injuries in animals	BlueScope, BioBlue.Lab, bScope, iScope, Achios-X Observer, Achios-X Inverso, Oxion Inverso, StereoBlue, NexiusZoom, DZ series, UltraZoom
• virology	Study and diagnosis of viruses and virus-like agents	Delphi-X Observer, Achios-X Observer, iScope, BioBlue.Lab, bScope
• water treatment	Production of drinking water and wastewater treatment. Quality control and disease prevention	BlueScope, BioBlue.Lab, bScope, iScope, Achios-X Observer
• wood production	Wood production for construction material, fuel. Quality control	Achios-X Observer*, iScope*, Oxion Inverso*, bScope *, bScope large samples, AP series, Stereo-Blue, NexiusZoom, DZ series, UltraZoom, MacroZoom
• zoology	Animal biology. Study of invertebrates and vertebrates and related branches	BioBlue.Lab, bScope, iScope, StereoBlue, NexiusZoom, DZ series, UltraZoom

* materials models, ** fluorescence models, *** polarization models

LIFE SCIENCE
LABORATORIES

FIELD OF APPLICATION

RECOMMENDED MODELS

• agronomy & forestry	Selective breeding of plants, fruit and production of food from plants, wood from trees, fuel. Plant physiology and genetics research	BlueScope, BioBlue.Lab, bScope, bScope large samples, iScope, Achios-X Observer, StereoBlue, NexiusZoom, DZ series, UltraZoom, MacroZoom
• anatomopathology	Diagnosis of diseases of organs or tissues. Cytopathology and forensic pathology	Delphi-X Observer, Achios-X Observer, iScope, bScope, BioBlue.Lab, StereoBlue, NexiusZoom, DZ series, UltraZoom
• bacteriology	Study of bacteria as subdivision of microbiology. Identification, classification	BlueScope, BioBlue.Lab, bScope, iScope, Achios-X Observer, Oxion Inverso, Delphi-X Observer
• biochemistry	Study of chemical processes within living organism. Identification and classification of enzymes and structure of biomolecules	BioBlue.Lab, bScope, iScope, Achios-X Observer
• biomedical	Study of medical microbiology, virology, epidemiology, biomedical engineering	Delphi-X Observer, Achios-X Observer, iScope, bScope, BioBlue.Lab
• biotechnology	Study of living organism in order to make food products, for plant protection (genetically modified organism) and other bioprocess engineering. Development of pharmaceutical drugs, genetic testing, enzymes production, biofuels, textile	Delphi-X Observer, Achios-X Observer, iScope, bScope, BioBlue.Lab, NexiusZoom, DZ series, UltraZoom, MacroZoom
• botany	Study of plants as branch of biology. Plant anatomy and morphology. Plant genetics and ecology. Plant biochemistry	BlueScope, BioBlue.Lab, iScope, Achios-X Observer, StereoBlue, NexiusZoom, DZ series, UltraZoom
• cell culture	Controlled growth of cells and tissues, fungal culture and microbiological culture	Delphi-X Inverso, Oxion Inverso, NexiusZoom, DZ series, UltraZoom
• chemistry	Study of the composition and properties of chemicals	iScope ***, bScope *, NexiusZoom, DZ series, UltraZoom
• cosmetics	Research, development and testing (safety) of substances for make-up or perfume	bScope *, iScope *, Achios-X Observer, NexiusZoom, DZ series, UltraZoom
• cytology	Study of cell structure, function and chemistry. Detection of cellular diseases	Delphi-X Observer, Achios-X Observer, iScope, bScope, BioBlue.Lab
• dermatology	Study and diagnosis, treatment of skin, nails and hair diseases	Achios-X Observer, iScope, BioBlue.Lab, NexiusZoom, StereoBlue, DZ series, UltraZoom, MacroZoom
• digital imaging	Observation and analysis of microscope images, save and captured the images and videos	CMEX cameras, CCD cameras, HD cameras, Cooled cameras, ProPad, MacroZoom
• embryo collection	Embryo collection and transfer in mares, pigs, cows. Quality control	NexiusZoom, DZ series, Z series
• embryology	Study of gametes, embryos and fetuses	BioBlue.Lab, bScope, iScope, Achios-X Observer, NexiusZoom, DZ series, UltraZoom, Z series
• entomology	Study of insects as branch of zoology. Identification and classification of beetles, flies, termites, moths and butterflies, bees, ants, wasps	BlueScope, BioBlue.Lab, bScope, iScope, Achios-X Observer, StereoBlue, NexiusZoom, DZ series, UltraZoom, MacroZoom
• environmental	Monitoring of environmental conditions such as water, atmosphere, ecosystems, soil and pollution	BlueScope, BioBlue.Lab, bScope, iScope, Achios-X Observer, StereoBlue, NexiusZoom, DZ series, UltraZoom
• fluorescence	Study of living and non-living material with the help of fluorescence markers (fluorochromes)	Delphi-X Observer**, Achios-X Observer**, iScope **, Oxion Inverso**, bScope **, DZ series**, UltraZoom**
• forensics	Analysis of scientific evidence. Toxicology, fingerprints, Forensic anthropology and archeology, forensic botany and entomology	BioBlue.Lab, bScope, bScope large samples, iScope, Achios-X Observer, Delphi-X Observer, Achios-X Inverso**, Oxion Inverso, NexiusZoom, DZ series, UltraZoom, Z series

LIFE SCIENCE
LABORATORIES

FIELD OF APPLICATION

RECOMMENDED MODELS

• food and beverages	Quality and safety controls, before, during and after the production of food and beverages	BlueScope, BioBlue.Lab, bScope, iScope, Achios-X Observer
• genetics	Study of genes, heredity in living organism including bacteria, plants, animals and humans	Delphi-X Observer, Achios-X Observer, iScope, DZ series, UltraZoom
• hematology	Study and diagnosis, treatment and prevention of diseases of the blood	Delphi-X Observer, Achios-X Observer, iScope, bScope (dark filed), iScope (darkfield), iScope
• histopathology	Microscopic examination of tissue, diagnosis of diseases	Delphi-X Observer, Achios-X Observer, iScope
• horticulture	Selective breeding of plants and fruit for production of food	BlueScope, BioBlue.Lab, bScope, iScope, Achios-X Observer, StereoBlue, NexiusZoom, DZ series, UltraZoom, MacroZoom
• in vitro fertilization	In vitro fertilization IVF. Quality control of collected egg and sperm	DZ series, UltraZoom
• marine biology	Study of organisms living in the ocean or seas as branch of biology	BioBlue.Lab, BlueScope, iScope, Achios-X Observer, NexiusZoom, DZ series, UltraZoom
• microbiology	Study of microscopic uni-, multi- or acellular small organisms such as protozoa, algae, bacteria and more. Identification and classification	Delphi-X Observer, Achios-X Observer, iScope, NexiusZoom, DZ series, UltraZoom
• mycology	Study of fungi as branch of biology. Identification and classification	BlueScope, BioBlue.Lab, bScope, iScope, Achios-X Observer, StereoBlue, NexiusZoom, DZ series, UltraZoom
• neuropathology	Study and diagnosis of diseases in nervous system tissue	Delphi-X Observer, Achios-X Observer, iScope, NexiusZoom, DZ series, UltraZoom
• oncology	Study and diagnosis, treatment and prevention of cancers	Delphi-X Observer, Achios-X Observer, iScope
• parasitology	Study of parasites, medical and veterinary	BlueScope, BioBlue.Lab, bScope, iScope, Achios-X Observer, StereoBlue, NexiusZoom, DZ series, UltraZoom
• pathology	Study and diagnosis of diseases	Delphi-X Observer, Achios-X Observer, iScope
• pharmaceutics	Development and production of drugs for medication. Quality assurance and inspection of produced products	iScope ***, StereoBlue, NexiusZoom, DZ series, UltraZoom
• phytopathology	Study and diagnosis of plant diseases	BlueScope, BioBlue.Lab, bScope, iScope, Achios-X Observer, StereoBlue, NexiusZoom, DZ series, UltraZoom, MacroZoom
• veterinary medicine	Prevention, diagnosis and treatment of diseases, injuries on animals	BlueScope, BioBlue.Lab, bScope, iScope, Achios-X Observer, Oxion Inverso, StereoBlue, NexiusZoom, DZ series, UltraZoom
• virology	Study and diagnosis of viruses and virus-such as agents	Delphi-X Observer, Achios-X Observer, BioBlue.Lab, iScope, bScope, BioBlue.Lab
• water treatment	Production of drinking water and wastewater treatment. Quality control and disease prevention	BlueScope, BioBlue.Lab, bScope, iScope, Achios-X Observer
• zoology	Animal biology. Study of invertebrates and vertebrates and related branches	BlueScope, BioBlue.Lab, bScope, iScope, Achios-X Observer, StereoBlue, NexiusZoom, DZ series, UltraZoom

** fluorescence models *** polarization models

INDUSTRY	FIELD OF APPLICATION	RECOMMENDED MODELS
• aerospace	Manufacturing and quality inspection of rockets and space vehicles related parts	Delphi-X Observer, Achios-X Observer, bScope large samples, iScope, NexiusZoom, DZ series, Z series
• agronomy & forestry	Selective breeding of plants, fruit and production of food from plants, wood from trees, fuel. Plant physiology and genetics research	bScope, bScope large samples, iScope, Achios-X Observer, StereoBlue, NexiusZoom, DZ series, UltraZoom, MacroZoom
• asbestos control	Research of asbestos fibers, environmental protection during restoration of older buildings	iScope, NexiusZoom, DZ series, UltraZoom, Z series
• automotive	Manufacturing and quality inspection of automotive related parts	Achios-X Observer, iScope, Achios-X Inverso, Oxion Inverso, NexiusZoom, DZ series, UltraZoom, Z series
• avionics	Manufacturing and quality inspection of aircraft related parts	Delphi-X Observer, Achios-X Observer, bScope large samples, iScope, NexiusZoom, DZ series, UltraZoom
• biochemistry	Study of chemical processes within living organism. Identification and classification of enzymes and structure of biomolecules	iScope, NexiusZoom, DZ series, UltraZoom
• chemistry	Study of the composition and properties of chemicals	Achios-X Observer, iScope
• cosmetics	Research, development and testing (safety) of substances for make-up or perfume	bScope, iScope, Achios-X Observer, NexiusZoom, DZ series, UltraZoom
• digital imaging	Observation and analysis of microscope images, save and captured the images and videos	CMEX cameras, CCD cameras, HD cameras, ProPad, MacroZoom
• electronics	Development, production, assembling and inspection of electronic components or circuitry	iScope, Achios-X Observer, NexiusZoom, DZ series, UltraZoom, Z series, BE-18 LED, MacroZoom
• environmental	Monitoring of environmental conditions such as water, atmosphere, ecosystems, soil and pollution	BioBlue.Lab, bScope, iScope, Achios-X Observer, StereoBlue, NexiusZoom, DZ series
• food and beverages	Quality and safety controls, before, during and after the production of food and beverages	BioBlue.Lab, bScope, iScope, Achios-X Observer
• forensics	Analysis of scientific evidence. Toxicology, fingerprints, Forensic anthropology and archeology, forensic botany and entomology	BioBlue.Lab, bScope, bScope large samples, iScope, Achios-X Observer, Oxion Inverso, Oxion Inverso, Achios-X Inverso, NexiusZoom, DZ series, UltraZoom, Z series
• geology, mineralogy	Earth science, studying the solid, rocks and processes. Identification and classification of rocks and minerals	Achios-X Observer, bScope large samples, iScope, Oxion Inverso, StereoBlue, NexiusZoom, DZ series, UltraZoom, MacroZoom
• geology, petrology	Identification by means of a petrographic microscope	iScope (polarization)
• glass industry	Quality control, before, during and after the production of glass and coatings	Achios-X Observer, iScope, Achios-X Inverso, Oxion Inverso, bScope, StereoBlue, NexiusZoom, DZ series, UltraZoom
• horticulture	Selective breeding of plants and fruit for production of food	BioBlue.Lab, bScope, iScope, Achios-X Observer, StereoBlue, NexiusZoom, DZ series, UltraZoom, MacroZoom

INDUSTRY	FIELD OF APPLICATION	RECOMMENDED MODELS
• jewelry	Precise manufacturing of very small decorative items such as brooches, rings, bracelets and more	BE-18 LED series, StereoBlue, NexiusZoom, DZ series, Z series
• mechanics	Manufacturing and quality inspection of mechanical parts	Achios-X Observer, iScope, Achios-X Inverso, Oxion Inverso, bScope, bScope large samples, StereoBlue, NexiusZoom, DZ series, UltraZoom, MacroZoom
• metallurgy	Manufacturing and quality inspection of metallic elements, intermetallic compounds and alloys	Achios-X Observer, iScope, Achios-X Inverso, Oxion Inverso, bScope, bScope large samples, StereoBlue, NexiusZoom, DZ series, UltraZoom, MacroZoom
• mining	Extraction of minerals Identification, quantitative and qualitative evaluation of minerals	iScope (polarization), Achios-X Inverso, Oxion Inverso, bScope, StereoBlue, NexiusZoom, DZ series, UltraZoom
• paper industry	Production of paper related products. Quality inspection	Achios-X Observer, iScope, bScope, StereoBlue, NexiusZoom, DZ series, UltraZoom, MacroZoom
• petrochemical	Research and transformation of crude oil and natural gas	Achios-X Observer, iScope, bScope, StereoBlue, NexiusZoom, DZ series, UltraZoom
• petrology	Study of the composition and structure of rocks as branch of geology. Identification by means of polarization microscopy	iScope (polarization), StereoBlue, NexiusZoom, DZ series, UltraZoom
• pharmaceuticals	Development and production of drugs for medication. Quality assurance and inspection of produced products	Achios-X Observer, iScope, StereoBlue, NexiusZoom, DZ series, UltraZoom
• plastics	Development and production of plastics and plastic based compounds. Quality assurance and inspection	Achios-X Observer, iScope, Achios-X Inverso, Oxion Inverso, bScope, StereoBlue, NexiusZoom, DZ series, UltraZoom
• printing industry	Production of relief printing, lithography	Achios-X Observer, iScope, bScope, AP series, StereoBlue, NexiusZoom, DZ series, UltraZoom, MacroZoom
• textile	Development and production of all kinds of textile based products. Quality assurance and inspection	Achios-X Observer, iScope, Achios-X Inverso, Oxion Inverso, AP series, StereoBlue, NexiusZoom, DZ series, UltraZoom, MacroZoom
• water treatment	Production of drinking water and wastewater treatment. Quality control and disease prevention	BioBlue.Lab, bScope, iScope, Achios-X Observer,
• wood production	Wood production for construction material, fuel. Quality control	Achios-X Observer, bScope large samples, iScope, Achios-X Inverso, Oxion Inverso, AP series, StereoBlue, NexiusZoom, DZ series, UltraZoom, MacroZoom

index

PRODUCT

	P	A	G	E
Abbe refractometer				405
Accessories for microscopy				360
Achios-X Inverso biological		122		
Achios-X Inverso digital		322	322	
Achios-X Inverso fluorescence		168		
Achios-X Inverso metallurgical			296	
Achios-X Observer biological		104		
Achios-X Observer digital		322	322	
Achios-X Observer fluorescence		158		
Achios-X Observer materials			280	
Adapter guide	358	358	358	
Advanced USB cameras		342	342	
Antoni van Leeuwenhoek (about)		81		
AP series	72			
APL (about)	57			
BE-18 Series			260	
BioBlue	20			
BioBlue digital	310	310		
BioBlue.Lab	28	90		
Biological microscopes	6	76		
BlueScope	32	78		
BlueScope digital	314	314		
bScope biological	36	82		
bScope digital	320	320		
bScope fluorescence		142		
bScope large samples			268	
bScope materials			264	
Camera resolution (how to match)	331	331	331	
Camera resolutions & limits (about)	313	313	313	
Cleaning optics (how to)	307	307	307	
CMEX Pro USB-3.0 cameras		342	342	
CMEX USB-2.0 cameras	340	340		

PRODUCT

	P	A	G	E
CMEX-WIFI camera	344	344	344	
Cold light sources				346
Cooled camera		345		
Delphi-X Inverso biological		128		
Delphi-X Inverso fluorescence		174		
Delphi-X Inverso materials			300	
Delphi-X Observer biological		112		
Delphi-X Observer digital		322	322	
Delphi-X Observer fluorescence		162		
Delphi-X Observer materials			284	
Differential interference contrast			291	
Digital MacroZoom	328	328	328	
Digital microscopes	306	306	306	
Digital refractometers				402
Digital solutions	304	304	304	
Disposables				392
Dissection instruments				370
Dissection kits				372
Dual colored LED (about)	35			
DZ series		214	248	
EcoBlue	14			
Ecoblue digital	308			
EduBlue	52			
EduBlue digital	316			
EduBlue LCD	318		318	
Field of view (about)	27			
Fluorescence (about)		173		
Fluorescence filter sets		188		
Fluorescence LED light sources		186		
Fluorescence microscopes		140		
Globe slides (for professional use)				386
Handheld magnifiers				396

PRODUCT

	P	A	G	E
Handheld refractometers				402
Handheld spectrosopes				408
High-definition cameras	346	346	346	
Hoffman modulation contrast			299	
How to keep the optics clean	337	337	337	
How to match camera resolution	331	331	331	
How to set up a stereo microscope	63	209	237	
Illumination solutions				362
ImageFocus software	352	352	352	
Inverted biological		122		
Inverted fluorescence		168		
Inverted materials			292	
iScope biological	42	94		
iScope digital		322	322	
iScope fluorescence		148		
iScope infectious diseases		154		
iScope materials			272	
LaboPad	350	350	350	
LED cold light sources				364
LED ringlight sources				366
LED light sources fluorescence		186		
Light sources				362
MacroZoom	326	326	326	
Magnifiers				396
Magnifiers (about)			259	
Malaria and TB (about)		157		
Measuring microscopes				396
MicroBlue	8			
MicroBlue digital	306			
Microscope basics (about)	13			
Microscope optics (about)		225		
NexiusZoom ESD			228	

PRODUCT

	P	A	G	E
NexiusZoom and -EVO	64	200	228	
NexiusZoom for gemology			238	
Objectives (about)	19			
Other products				394
Optical instruments				394
Oxion Inverso biological		134		
Oxion Inverso materials			292	
Oxion Inverso fluorescence		180		
Petrological microscopy (about)			295	
Polarimeters				406
Preparation accessories				370
Prepared slides				374
Prepared slides Individual				382
Professional slides				386
Refractometers				400
Ringlights				366
sCMEX USB-3.0 camera		343	343	
Slides (for professional use)				386
Software	352	352	352	
Spectrosopes				408
Stains				393
StereoBlue	58	196	244	
Stereo microscopes	76	194	227	
Stereo microscopes (about)			253	
Stereo microscope (how to set up)	63	209	237	
UltraZoom biological		210		
UltraZoom fluorescence		212		
UltraZoom metallurgical			242	
USB cameras	340	340	340	
WiFi camera	344	344	344	
Z series		220	254	



The Euromex Quality System is certified according to ISO 9001:2015, and ISO 13485:2016 for medical supplies. This supports our pursuit of continuous improvement and our on-going commitment to provide our world-wide customers assurance of product quality

DISCLAIMER

All information and materials contained in this catalog have been prepared solely for the purpose of providing general information about the products offered by Euromex Microscopen bv. The content of and all information published in this catalog are provided in good faith as a convenience to you and may be used for information purposes only and at all times in accordance with these terms of access

Euromex Microscopen bv does not warrant the completeness or accuracy of information obtained from its catalog and does not undertake to update or correct its content or the information and/or materials contained on it on a regular basis

Euromex Microscopen bv reserves the right to make improvements and/or changes to (including the removal of) the products described or referred to in the catalog and to delete and/or move any such information at any time and without notice

Euromex and Physix are registered trademarks of Euromex Microscopen bv
 bScope, iScope and Delphi-X Observer are registered trademarks of Euromex Microscopen bv
 © 2026 Copyright Euromex Microscopen bv

EUROMEX HEADQUARTERS

Euromex Microscopen bv
 Typograaf 8 • 6921 VB Duiven • The Netherlands
 +31 (0) 26 323 22 11 • info@euromex.com

SALES OFFICE WORLD WIDE

Euromex Microscopen Spain, S.L
 Carretera de Barcelona 88, Entresuelo
 Esc. B - Local 9 • 08302 Mataró, Spain
 +34 (0) 937 415 609 • info@euromex.com

SALES OFFICE NORTH AMERICA

Globe Scientific
 400 Corporate Drive • Mahwah, NJ 07430 • USA
 1 201-599-1400 • usa@euromex.com

www.euromex.com

Icons

