

ø134 x H20 / 50 / 100 (mm)  
 Rth 1.32 - 0.88 - 0.67 °C/W  
 Power Pd 38 - 57 - 75 W

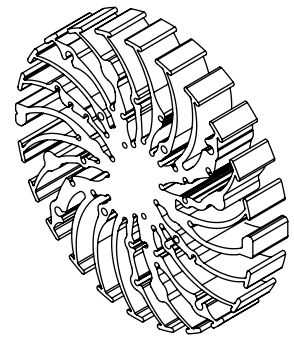
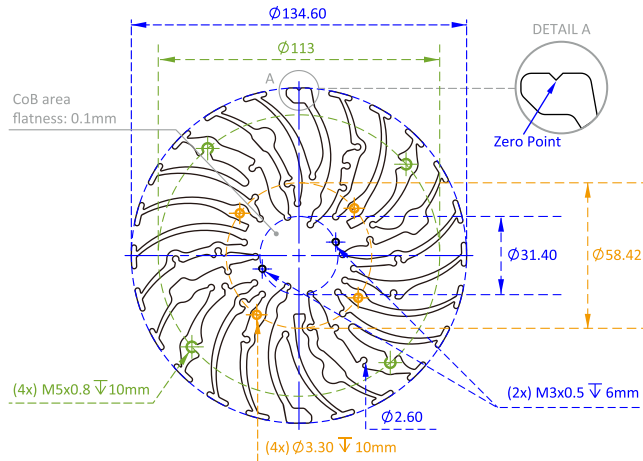
**MORE PRODUCT DETAILS**

## ModuLED Mega Modular Passive Star LED Cooler ø134mm

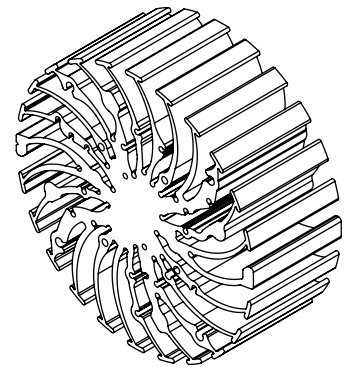
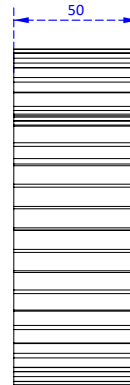
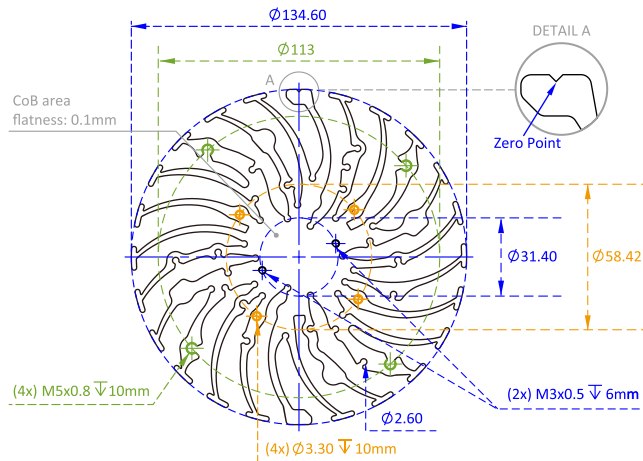
### Drawings & Dimensions

Unit: mm

#### Example: ModuLED Mega 13420



#### Example: ModuLED Mega 13450



#### Example: ModuLED Mega 134100

