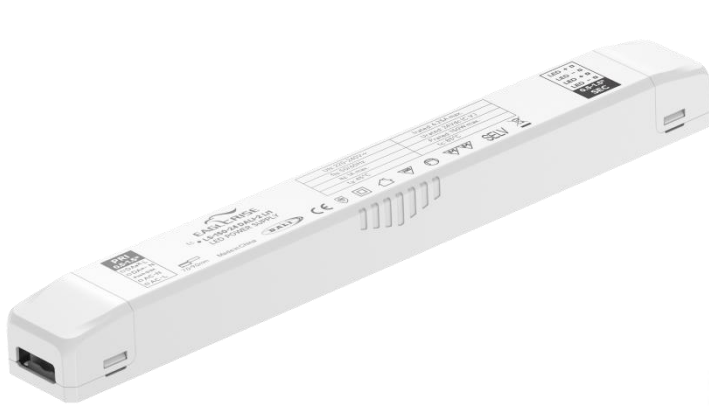


150W constant Voltage-LS Series



Features

- Class II, SELV, Independent
- Input Voltage 220-240VAC
- Protections: SCP/OLP/OTP
- Power Factor: ≥ 0.95 (Typ.)
- Efficiency: $\geq 91\%$ (Typ.)
- 5 years warranty
- Support DALI-2, Push Dimming
- DALI maintainace(Part 251,252,253)

Applications

- LED strips

■ Approve

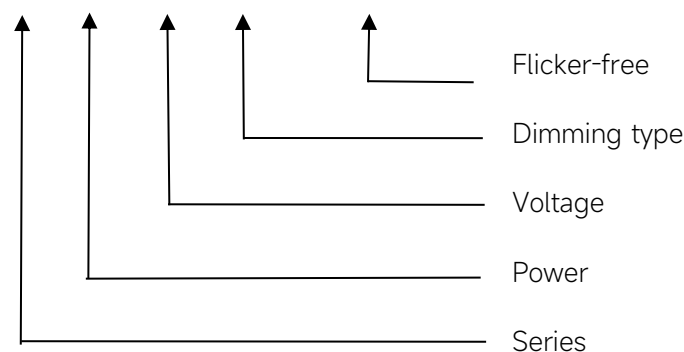


◆ Description

LS-150-XX DALI-2 LI1 is a 150W constant voltage LED driver that operates from 198-264Vac input with 24/48V output voltage. With it's compact dimensions from 318 x 38 x 30 mm. It is easy to integrate in LED strips products. To ensure trouble-free operation, protection is provided against output short circuit and over Load.

◆ Model code

LS-150-XX DALI-2 LI1



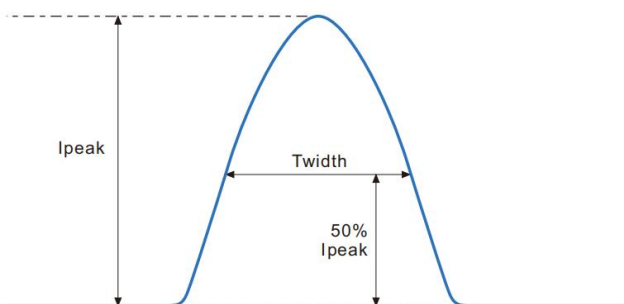
◆ Specification

Output	Constant Voltage	24VDC	48VDC
	Current Range	0-6.25A	0-3.125A
	Voltage Accuracy	±5%	
	Output HF Voltage ripple(≥1KHz)	±1%	
	Output LF Voltage ripple(≤120Hz)	±1%	
	SVM	≤0.4 @Full Load	
	Pst	≤1@Full Load	
	Efficiency(Typ.)	≥91%@Full load,230V	
	EOFI	15%	
Input	Rated input voltage	220-240V	
	Range of input voltage	198-264VAC	
	Maximum voltage	300VAC@1 h maximum,unit might not operate in this abnormal condition	
	Range input voltage(VDC)	176-280VDC	
	Frequency(Hz)	0/50/60 Hz	
	Displacement factor	≥0.9	
	Power Factor	≥0.95@Full Load,230V	
	Input Current max	1A Max@Full Load,198VAC	
	Start-up time(AC mode)	< 0.8S	
	Start-up time(DC mode)	< 0.8S	
	Switch over time(AC/DC mode)	< 0.4S	
	Standby Power	≤0.5W, @DIM TO OFF	
	Network Standby Power	≤0.5W,@220Vac	
	THD (Typ.)	< 10%@220-240VAC, Full load	
Dimming	Dimming	YES	
	Dimming mode	DALI-2 (IEC 62386-101,102,207,251,252,253) &Push Dimming (Corridor Function)	
	Dimming depth	1%	
	Dimming current range	1-100%	
Protection	Over Load Protection	105-150% rated output power YES/Auto Resume	
	Short circuit Protection	YES/Auto Resume	
	Over Temperature Protection	YES/Auto Resume	
capability	Surge capability (L-N)	1KV	
	Surge capability (L/N-Ground)	NA	
Environment	Operating Temperature	-20°C~+45°C	
	Humidity	20%-90%RH	
	Tc	85°C	
	Storage Temperature	-30°C~+85°C	

	Life time	> 50000h@Tc=75°C,full load
	Noise	≤25dB(A)@20cm
Surface	Dimension	318X38X30(LXWXH)mm
	material	PC
Standards	Safety	IEC61347- 1, IEC61347-2- 13;EN61347- 1, EN61347-2- 13;EN61347- 1, EN61347-2- 13, EN62384;GB19510. 1, GB19510. 14;S/NZS 61347- 1, AS/NZS 61347-2- 13
	EMC	EN55015, EN61000-3-2, EN61000-3-3, EN61547;GB/T17743;GB17625. 1;EN 62493
	Energy Efficiency	Erp2.0 EU 2019/2020
	RoHS	RoHS (2011/65/EU) (EU)2015/863
DALI performance	EN 62386-101 (DALI-2) EN 62386-102 (DALI-2) EN 62386-207 (DALI-2,including part251,252,253)	
Note	<p>1.All parameters NOT specially mentioned are measured at 240VAC input , full load and 25°C of ambient temperature.</p> <p>2.Ripple & Noise are measured at 20MHz of bandwidth by using a 300mm twisted pair-wire terminated with a 0.1uF & 47 uF parallel capacitor.</p> <p>3.Switch and dimmer are not recommended to connect between this product output and luminaries.</p> <p>4.The DC input for this product is only used for emergency lighting and applies to functional and safety requirements, EMC is not considered.</p>	

◆ Inrush Current

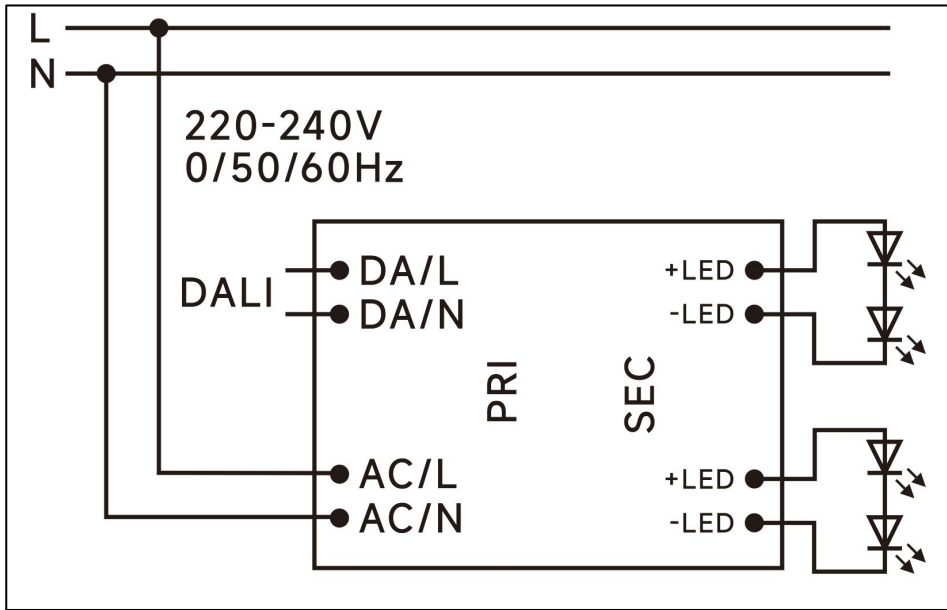
I _{peak}	T _{width}	B10	B16	B20	C10	C16	C20
36.6A	224μs	8pcs	12pcs	16pcs	8pcs	12pcs	16pcs



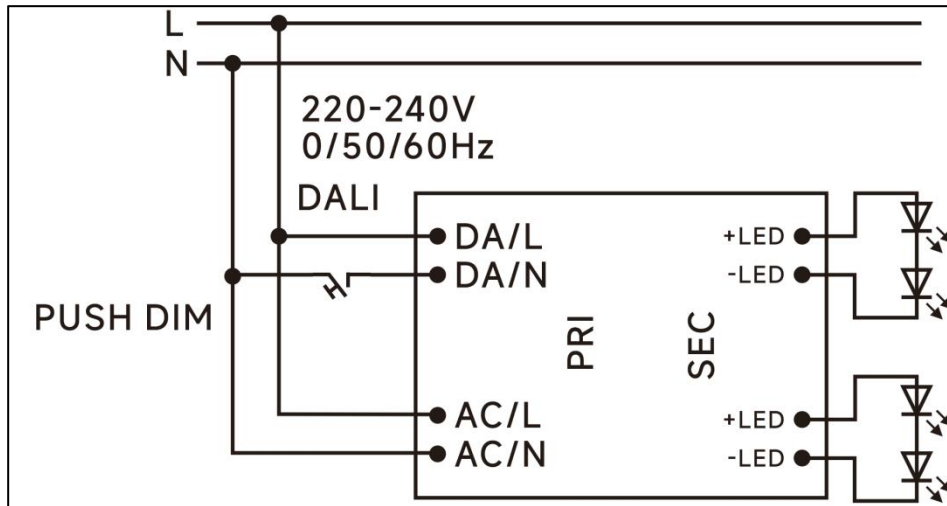
Remarks:

- 1.The number of drives mounted under different MCBs in the table is the maximum value. Please do not exceed this number during installation.
- 2.Different brands and models of miniature circuit breakers, the number of drives mounted will be slightly different.

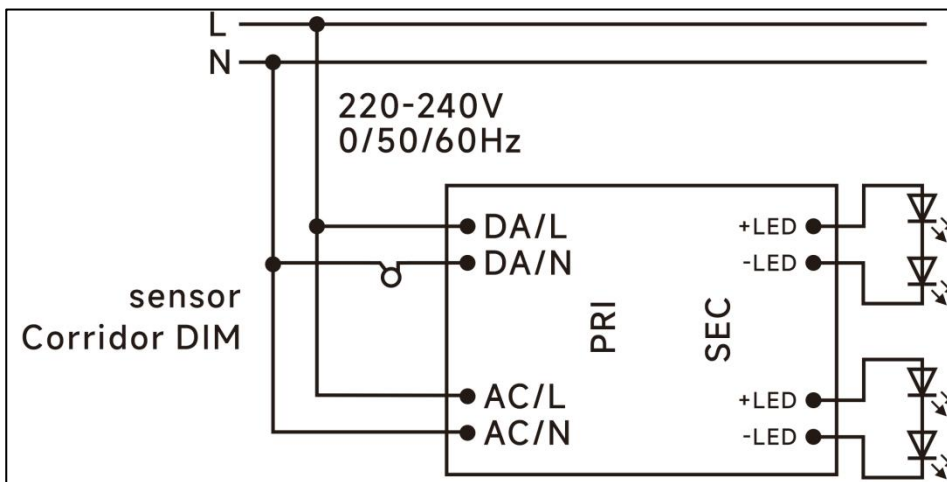
◆ Wiring diagram



DALI dimming application

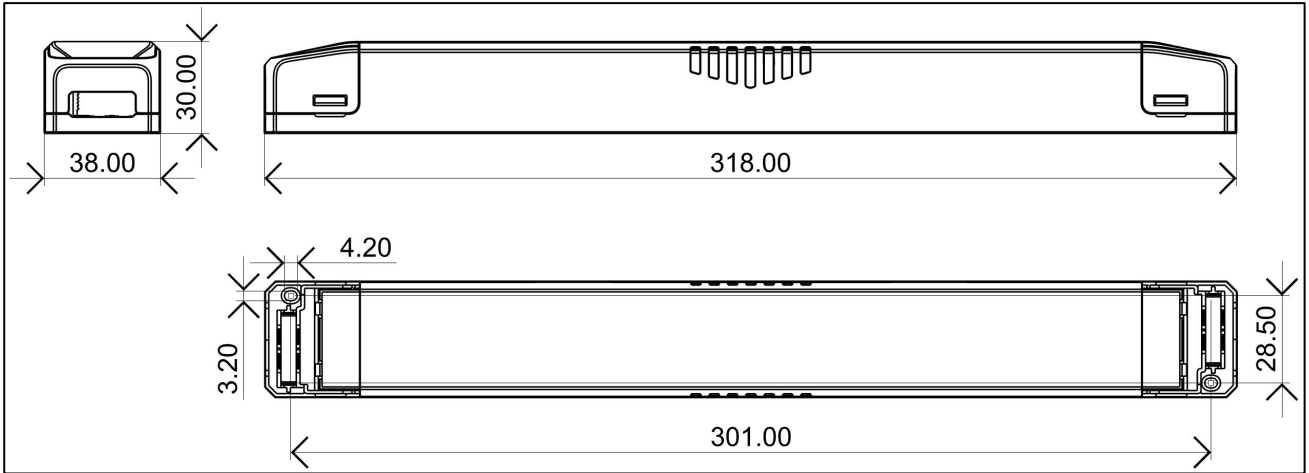


PushDIM dimming application

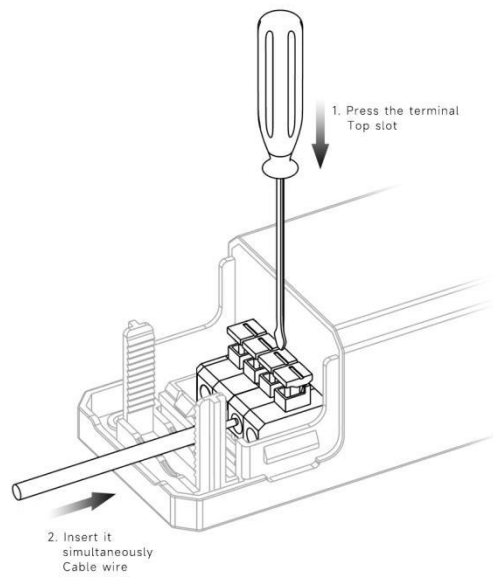


Corridor DIM dimming application

◆ **2D diagram**



Terminal

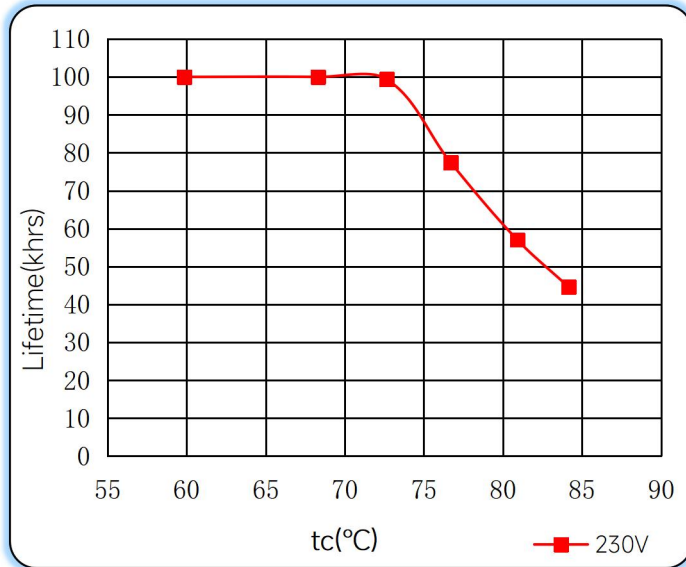


◆ Wiring & Connections

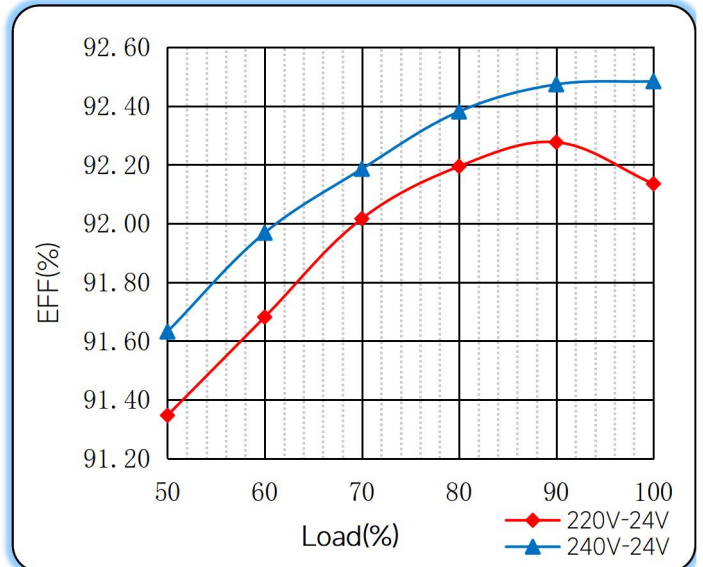
	Specification item	Value (Unit)
Input	Input wire cross-section	0.5...1.5 mm ² (With A side caps: 0.75...1.5 mm ²)
	Input wire gauge.	16...20 AWG (With A side caps: 16...22 AWG)
	Input wire strip length	7...9mm
Output	Output wire cross-section	0.5...1.5 mm ²
	Output wire gauge.	16...20 AWG
	Output wire strip length	7...9mm

◆ Curve for LS-150-XX DALI-2 LI1

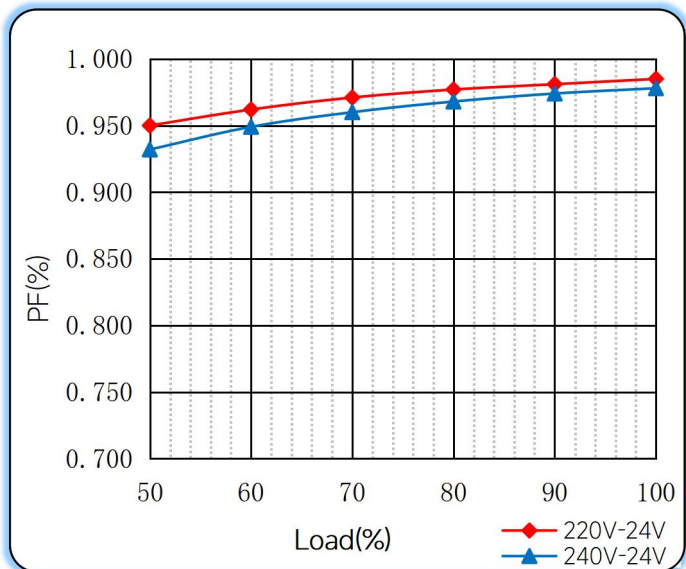
Lifetime vs. Temperature Curve



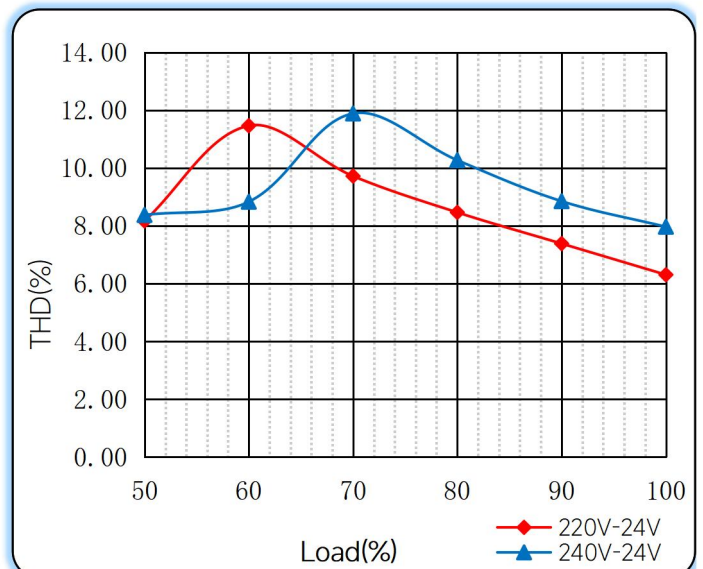
Efficiency vs. Load



Power Factor Characteristics



THD vs. Load



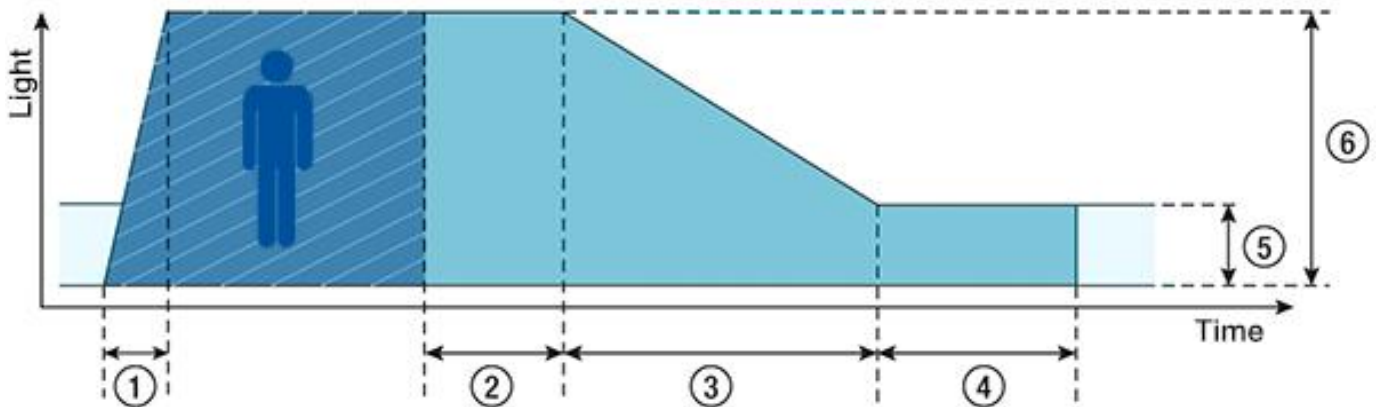
◆ Push dimming operation

Action	Action duration	Function
Short push	<0.5s	Turn on/off
Short push twice	<0.5s	LED on: Save current brightness level LED off: Delete saved level and turn on at 100% brightness
Short push five times	<3s	Quit Corridor mode
Long push	0.5-14s	Dimming up or down
Long push	15s-2mins	Sync all LEDs to be 100% brightness
Long push	>2mins	Enter Corridor mode - LED keep 100% brightness for 2mins. Then brightness will turn to be 10% within 32s if no action during 2mins 100% brightness.

Note:

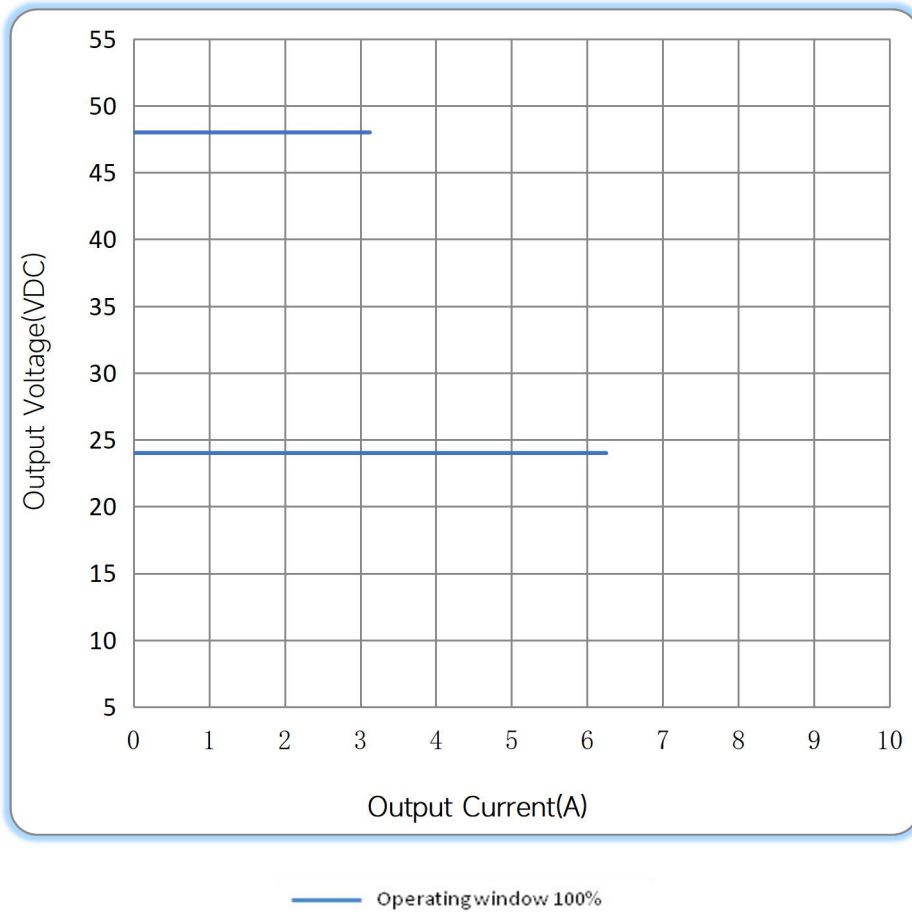
- 1.The factory default brightness is at 100%.
- 2.Up to 30 drivers can perform the PUSH dimming at the same time when utilizing one common push button
- 3.The maximum length of the cable from the push button to the last driver is 200 meters.

◆ Corridor mode



- ◆ ① **Fade-in time(0.5s)**: the time that starts as soon as the presence of a person is detected. During the fade-in time the luminous intensity is faded up to the presence value.
- ◆ ② **Run-on time(120s)**: the time that starts as soon as the presence of a person is no longer detected. If the presence of a person is detected again during the run-on time the run-on time is restarted from zero. If no presence is detected during the run-on time the fade time is started as soon as the run-on time expires.
- ◆ ③ **Fade time(32s)**: the time during which the luminous intensity is faded from the presence value to the absence value.
- ◆ ④ **Switch-off delay (Never Off)**: the time during which the absence value is held before the lighting is switched off. Depending on the profile selected the switch-off delay may have different values or may not be defined.
- ◆ ⑤ **Absence value(default: 10 %)**: the luminous intensity when there is no person present.
- ◆ ⑥ **Presence value (default: 100 %)**: the luminous intensity when persons are present.

◆ **Operating window**



◆ **Revision Updates**

ITEM	BEFORE	AFTER	VERSION	DATE
Initial			A	2023/07/12
Start-up time(DC mode)	< 0.6S	< 0.8S	B	2024/01/25

Remark: The final interpretation of the contents of the specification belongs to Eaglerise Electric & Electronic (China) Co., Ltd.

Tel: +86-0757-86256822, +86-0757-86256831

E-mail: sales@eaglerise.com

Website : <https://lighting.eaglerise.com>



EAGLERISE



Manual

 www.simpex.ch

Besuchen Sie unseren Simpex E-Shop mit über 12'000 Produkten.

Er bietet Ihnen eine breite Funktionsvielfalt, sowie intelligente Suchfunktionen. Ob Sie den Shop als Einkaufsplattform oder als Produktfinder nutzen – im Simpex E-Shop haben Sie alle Informationen schnell und tagesaktuell zur Hand.

24h und das 365 Tage im Jahr.



Hauptsitz

Simpex Electronic AG
Binzackerstrasse 33
CH-8620 Wetzikon
Telefon +41 44 931 10 10
E-Mail contact@simpex.ch
Internet www.simpex.ch

Manufaktur

Simpex Electronic SA
En Bas-le-Port 1
CH-2088 Cressier
E-Mail contact@simpex.ch
Internet www.simpex.ch