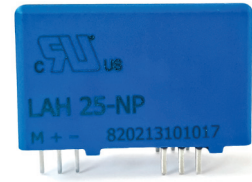


# Current Transducer LAH 25-NP

For the electronic measurement of currents: DC, AC, pulsed..., with galvanic separation between the primary circuit and the secondary circuit.



$$I_{PN} = 8-12-25 A$$



## Electrical data

$I_{PN}$	Primary nominal RMS current	25	A
$I_{PM}$	Primary current, measuring range <sup>1)</sup>	0 ... ±55	A
$R_M$	Measuring resistance @ <sup>2)</sup>	$T_A = 70\text{ °C}$	
		$T_A = 85\text{ °C}$	
		$R_{M\min}$ $R_{M\max}$	$R_{M\min}$ $R_{M\max}$
		with ±12 V @ $I_{PN}$ [±At DC]	0 284 0 280 Ω
		@ $I_{PN}$ [At RMS] <sup>3)</sup>	0 182 0 178 Ω
with ±15 V @ $I_{PN}$ [±At DC]	67 398 70 394 Ω		
@ $I_{PN}$ [At RMS] <sup>3)</sup>	67 263 70 259 Ω		
@ $I_P < I_{PN}$ <sup>4)</sup>			
$I_{SN}$	Secondary nominal RMS current	25	mA
$N_P/N_S$	Turns ratio	1-2-3 : 1000	
$U_C$	Supply voltage (±5 %)	±12 ... 15	V
$I_C$	Current consumption	10 (@ ±15 V) + $I_S$	mA

## Accuracy - Dynamic performance data

$\epsilon_{tot}$	Total error <sup>5)</sup> @ $I_{PN}, T_A = 25\text{ °C}$	±0.3	%
$\epsilon_L$	Linearity error	< 0.2	%
$I_O$	Offset current referred to primary @ $I_P = 0, T_A = 25\text{ °C}$	Typ	Max
			±150
$I_O$	Offset current referred to secondary @ $I_P = 0, T_A = 25\text{ °C}$		±0.15
$I_{OM}$	Magnetic offset current @ $I_P = 0$ , referred to secondary and specified $R_M$ , after an overload of $5 \times I_{PN}$	±0.20	±0.25
$I_{OT}$	Temperature variation of $I_O$ , referred to secondary	0 °C ... +70 °C	±0.10 ±0.60
		-25 °C ... +85 °C	±0.10 ±0.70
			mA
$t_{D10}$	Delay time to 10 % of the final output value for $I_{PN}$ step <sup>6)</sup>	< 200	ns
$t_{D90}$	Delay time to 90 % of the final output value for $I_{PN}$ step <sup>6)</sup>	< 500	ns
$BW$	Frequency bandwidth (-1 dB)	DC ... 200	kHz

## General data

$T_A$	Ambient operating temperature	-25 ... +85	°C
$T_{Ast}$	Ambient storage temperature	-40 ... +90	°C
$R_S$	Resistance of secondary winding @ $T_A = 70\text{ °C}$	72	Ω
		@ $T_A = 85\text{ °C}$	76
$m$	Mass	20	g
	Standards	EN 50178: 1997	

- Notes:**
- <sup>1)</sup> During 10 s, with  $R_M \leq 109\text{ Ω}$  ( $U_C = \pm 15\text{ V}$ )
  - <sup>2)</sup> Calculation of  $R_{M\min}$  with the maximum power of the transistors = 0.307 W @ 70 °C and the maximum power of the transistors = 0.302 W @ 85 °C
  - <sup>3)</sup> Sinusoidal wave 50 Hz
  - <sup>4)</sup> The minimum measuring resistance  $R_M$  may be lower (see "LAH technical information" leaflet)
  - <sup>5)</sup> Without  $I_O$  &  $I_{OM}$
  - <sup>6)</sup> For a  $di/dt = 100\text{ A}/\mu\text{s}$ .

## Features

- Closed loop (compensated) multi-range current transducer using the Hall effect
- Printed circuit board mounting
- Insulating plastic case recognized according to UL 94-V0.

## Advantages

- Excellent accuracy
- Very good linearity
- Low temperature drift
- Optimized delay time
- No insertion losses
- High immunity to external interference
- Current overload capability.

## Applications

- AC variable speed drives and servo motor drives
- Static converters for DC motor drives
- Battery supplied applications
- Uninterruptible Power Supplies (UPS)
- Switched Mode Power Supplies (SMPS)
- Power supplies for welding applications.

## Application domain

- Industrial.

## Current Transducer LAH 25-NP

### Insulation coordination

$U_d$	RMS voltage for AC insulation test, 50 Hz, 1 min	5	kV
$U_{Ni}$	Impulse withstand voltage 1.2/50 $\mu$ s	12	kV
$U_t$	Partial discharge RMS test voltage ( $q_m < 10$ pC)	> 2	kV
		Min	
$d_{Cp}$	Creepage distance <sup>1)</sup>	12	mm
$d_{Cl}$	Clearance <sup>1)</sup>	12	mm
$CTI$	Comparative tracking index (group IIIa)	175	

Note: <sup>1)</sup> On PCB with soldering pattern UTEC93-703.

### Applications examples

According to EN 50178 and IEC 61010-1 standards and following conditions:

- Over voltage category OV 3
- Pollution degree PD2
- Non-uniform field

	EN 50178	IEC 61010-1
$d_{Cp}$ , $d_{Cl}$ , $U_{Ni}$	Rated insulation voltage	Nominal voltage
Basic insulation	1000 V	1000 V
Reinforced insulation	500 V	500 V

### Safety

This transducer must be used in limited-energy secondary circuits according to IEC 61010-1.



This transducer must be used in electric/electronic equipment with respect to applicable standards and safety requirements in accordance with the manufacturer's operating instructions.



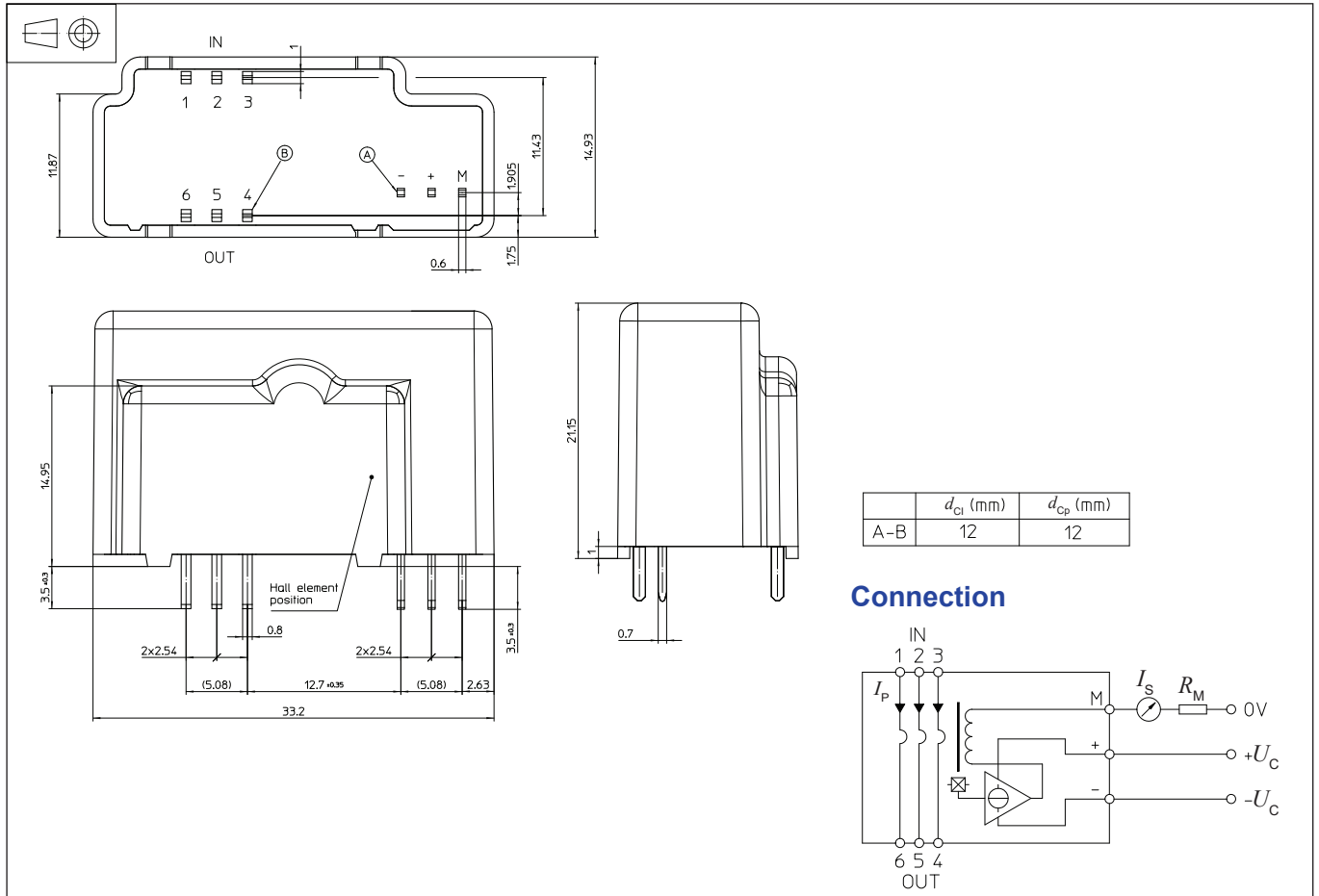
Caution, risk of electrical shock

When operating the transducer, certain parts of the module can carry hazardous voltage (e.g. primary busbar, power supply). Ignoring this warning can lead to injury and/or cause serious damage.

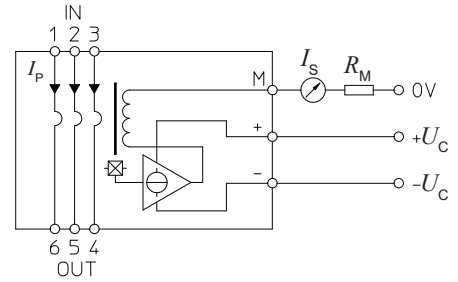
This transducer is a build-in device, whose conducting parts must be inaccessible after installation. A protective housing or additional shield could be used.

Main supply must be able to be disconnected.

## Dimensions LAH 25-NP (in mm)



### Connection



Number of primary turns	Primary current nominal $I_{PN}$ [A]	Primary current maximum $I_P$ [A]	Nominal output current $I_{SN}$ [mA]	Turns ratio $N_p/N_s$	Primary resistance $R_p$ [mΩ]	Primary insertion inductance $L_p$ [μH]	Recommended PCB connections
1	25	55	25	1 : 1000	0.18	0.012	
2	12	27	24	2 : 1000	0.81	0.054	
3	8	18	24	3 : 1000	1.62	0.110	

### Mechanical characteristics

- General tolerance  $\pm 0.2$  mm
- Fastening & connection of primary  
Recommended PCB hole 6 pins 1 mm × 0.8 mm  
1.5 mm
- Fastening & connection of secondary  
Recommended PCB hole 3 pins 0.7 mm × 0.6 mm  
1.2 mm

### Remarks

- $I_S$  is positive when  $I_P$  flows from terminals 1, 2, 3 (IN) to terminals 6, 5, 4 (OUT).
- The jumper temperature and PCB should not exceed 100 °C.
- This is a standard model. For different versions (supply voltages, turns ratio, unidirectional measurements...), please contact us.

 [www.simpex.ch](http://www.simpex.ch)

Besuchen Sie unseren Simpex E-Shop mit über 12'000 Produkten.

Er bietet Ihnen eine breite Funktionsvielfalt, sowie intelligente Suchfunktionen. Ob Sie den Shop als Einkaufsplattform oder als Produktfinder nutzen – im Simpex E-Shop haben Sie alle Informationen schnell und tagesaktuell zur Hand.

24h und das 365 Tage im Jahr.



## Hauptsitz

**Simpex Electronic AG**  
Binzackerstrasse 33  
CH-8620 Wetzikon  
Telefon +41 44 931 10 10  
E-Mail [contact@simpex.ch](mailto:contact@simpex.ch)  
Internet [www.simpex.ch](http://www.simpex.ch)

## Manufaktur

**Simpex Electronic SA**  
En Bas-le-Port 1  
CH-2088 Cressier  
E-Mail [contact@simpex.ch](mailto:contact@simpex.ch)  
Internet [www.simpex.ch](http://www.simpex.ch)