

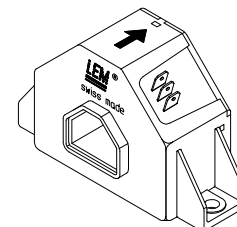
Current Transducer LA 255-S

$$I_{PN} = 250 \text{ A}$$

For the electronic measurement of currents : DC, AC, pulsed..., with a galvanic isolation between the primary circuit (high power) and the secondary circuit (electronic circuit).



16112



Electrical data

I_{PN}	Primary nominal r.m.s. current	250	A					
I_p	Primary current, measuring range	0 .. ± 500	A					
$\hat{I}_{P \max}$	Measuring overload ¹⁾	600	A					
R_M	Measuring resistance @	$T_A = 70^\circ\text{C}$		$T_A = 85^\circ\text{C}$				
		$R_{M \min}$	$R_{M \max}$	$R_{M \min}$	$R_{M \max}$			
		with $\pm 12 \text{ V}$	@ $\pm 250 \text{ A}_{\max}$	0	49	0	47	Ω
			@ $\pm 500 \text{ A}_{\max}$	0	7	0	5	Ω
		with $\pm 15 \text{ V}$	@ $\pm 250 \text{ A}_{\max}$	5	70	5	68	Ω
			@ $\pm 500 \text{ A}_{\max}$	5	17	5	15	Ω
	with $\pm 18 \text{ V}$	@ $\pm 250 \text{ A}_{\max}$	25	93	25	91	Ω	
	@ $\pm 500 \text{ A}_{\max}$	25	29	25	27	Ω		
I_{SN}	Secondary nominal r.m.s. current	125	mA					
K_N	Conversion ratio	1 : 2000						
V_C	Supply voltage ($\pm 5 \%$)	$\pm 12 \dots 18$	V					
I_C	Current consumption	$20 (@ \pm 15 \text{ V}) + I_S$	mA					
V_b	R.m.s. rated voltage ²⁾ , safe separation	1625	V					
		basic isolation	3250	V				

Accuracy - Dynamic performance data

X_G	Overall accuracy @ I_{PN} , $T_A = 25^\circ\text{C}$	± 0.8	%
e_L	Linearity error	< 0.1	%
I_O	Offset current @ $I_p = 0$, $T_A = 25^\circ\text{C}$	Typ	Max
			± 0.15 mA
I_{OM}	Residual current ³⁾ @ $I_p = 0$, after an overload of $3 \times I_{PN}$		± 0.50 mA
I_{OT}	Thermal drift of I_O - $10^\circ\text{C} \dots + 85^\circ\text{C}$	± 0.15	± 0.30 mA
t_{ra}	Reaction time @ 10 % of $I_{P \max}$	< 500	ns
t_r	Response time ⁴⁾ @ 90 % of $I_{P \max}$	< 1	μs
di/dt	di/dt accurately followed	> 100	A/ μs
f	Frequency bandwidth (- 3 dB)	DC .. 100	kHz

General data

T_A	Ambient operating temperature	- 10 .. + 85	$^\circ\text{C}$
T_S	Ambient storage temperature	- 40 .. + 90	$^\circ\text{C}$
R_S	Secondary coil resistance @	$T_A = 70^\circ\text{C}$	35 Ω
		$T_A = 85^\circ\text{C}$	37 Ω
m	Mass Standards ⁵⁾	110	g
		EN 50178	

Notes : ¹⁾ 3 mn/hour @ $V_C = \pm 15 \text{ V}$, $R_M = 5 \Omega$

²⁾ Pollution class 2. With a non insulated primary bar which fills the through-hole

³⁾ The result of the coercive field of the magnetic circuit

⁴⁾ With a di/dt of 100 A/ μs

⁵⁾ A list of corresponding tests is available

Features

- Closed loop (compensated) current transducer using the Hall effect
- Insulated plastic case recognized according to UL 94-V0.

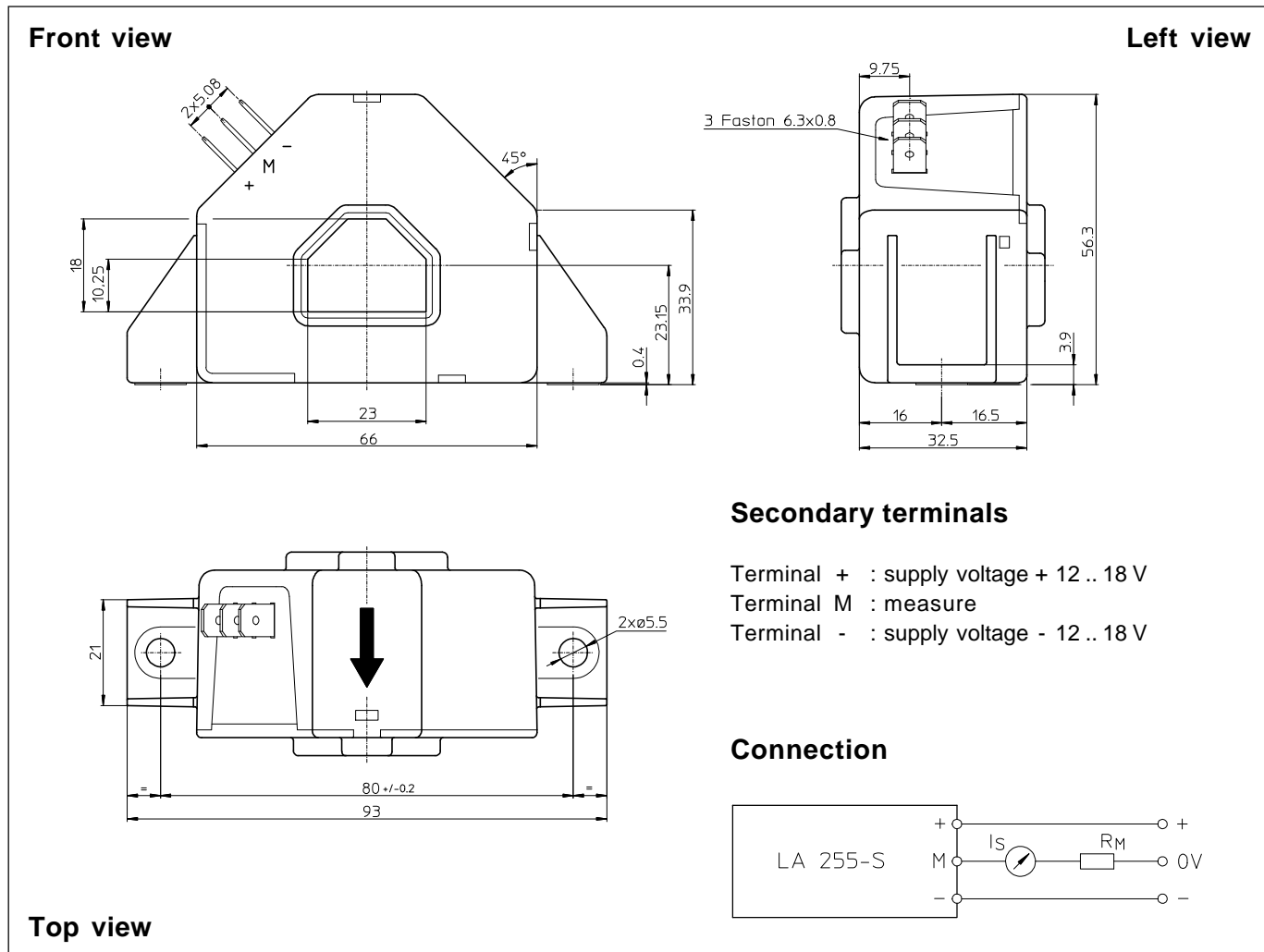
Advantages

- Excellent accuracy
- Very good linearity
- Low temperature drift
- Optimized response time
- Wide frequency bandwidth
- No insertion losses
- High immunity to external interference
- Current overload capability.

Applications

- AC variable speed drives and servo motor drives
- Static converters for DC motor drives
- Battery supplied applications
- Uninterruptible Power Supplies (UPS)
- Switched Mode Power Supplies (SMPS)
- Power supplies for welding applications.

Dimensions LA 255-S (in mm. 1 mm = 0.0394 inch)



Mechanical characteristics

- General tolerance ± 0.5 mm
- Fastening 2 holes $\varnothing 5.5$ mm
- Primary through-hole 23 x 18 mm
- Connection of secondary Faston 6.3 x 0.8 mm

Remarks

- I_s is positive when I_p flows in the direction of the arrow.
- Temperature of the primary conductor should not exceed 100°C.
- Dynamic performances (di/dt and response time) are best with a single bar completely filling the primary hole.
- This is a standard model. For different versions (supply voltages, turns ratios, unidirectional measurements...), please contact us.

 www.simpex.ch

Besuchen Sie unseren Simpex E-Shop mit über 12'000 Produkten.

Er bietet Ihnen eine breite Funktionsvielfalt, sowie intelligente Suchfunktionen. Ob Sie den Shop als Einkaufsplattform oder als Produktfinder nutzen – im Simpex E-Shop haben Sie alle Informationen schnell und tagesaktuell zur Hand.

24h und das 365 Tage im Jahr.



Hauptsitz

Simpex Electronic AG
Binzackerstrasse 33
CH-8620 Wetzikon
Telefon +41 44 931 10 10
E-Mail contact@simpex.ch
Internet www.simpex.ch

Manufaktur

Simpex Electronic SA
En Bas-le-Port 1
CH-2088 Cressier
E-Mail contact@simpex.ch
Internet www.simpex.ch