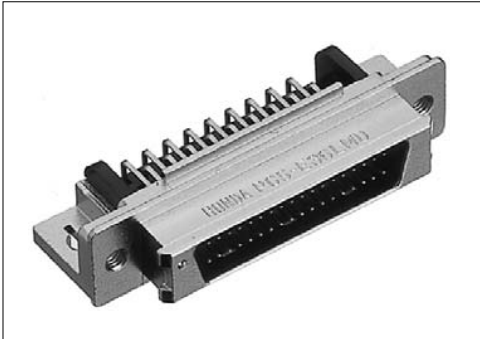


Right-angle through hole type male connector for PCB
PCS-E()LMD+

For PCB
Right-angle Through hole

RoHS

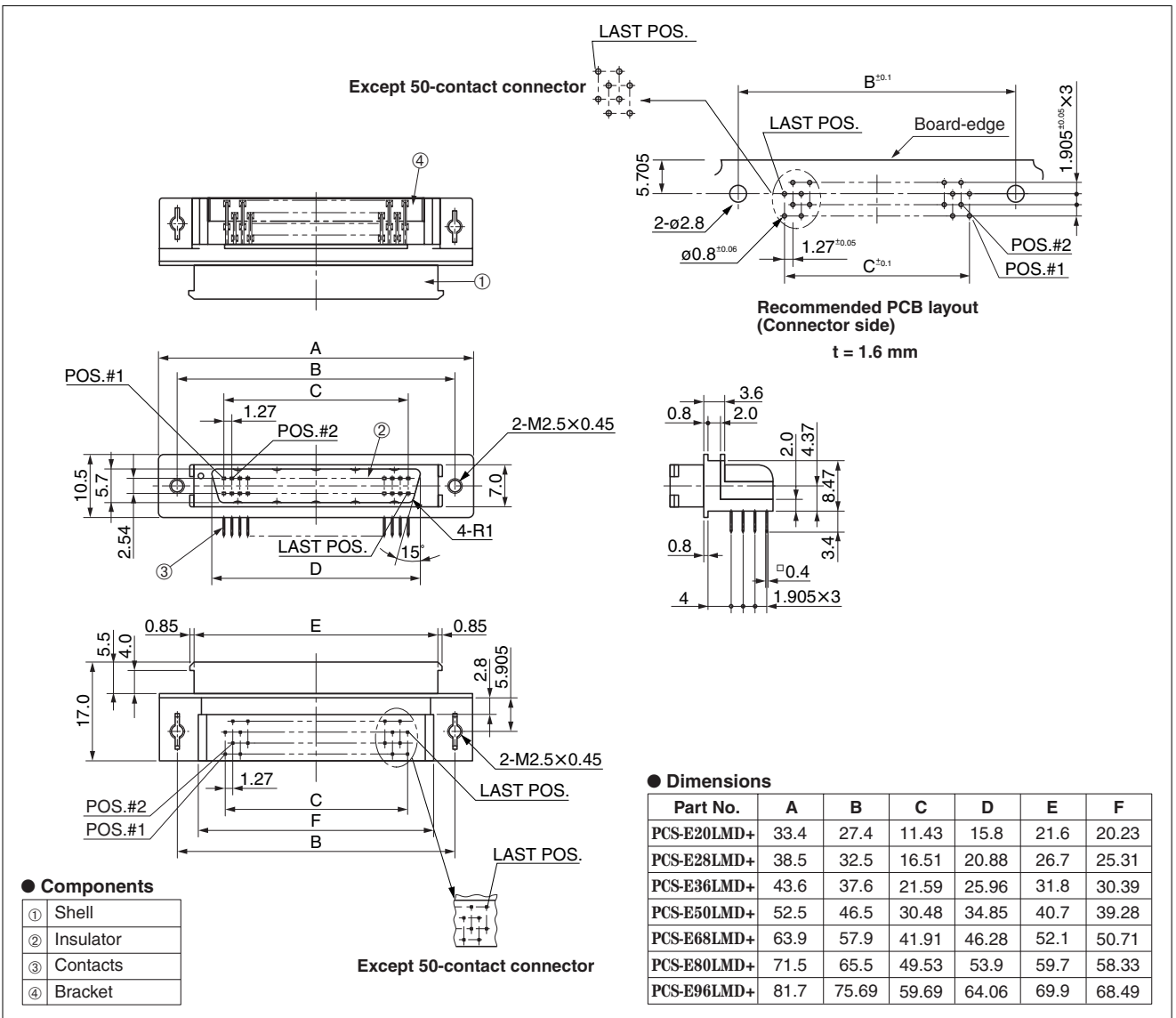


● Configuration of product Part No.

PCS-E () LMD+

① ② ③

- ① Series name
- ② No. of contacts: 20, 28, 36, 50, 68, 80 or 96
- ③ Type of connector
LMD: Right-angle through hole type, male



Mating connectors: PCS-E series cable-side IDC type female connector

PCS-E series cable-side soldering type female connector

Accessories: Dust-proof cap, PCS-()C()