

Vertical type plastic backshell (with screw lock)
PCR-LS()LA()

1.27 mm pitch connector

Backshell

Vertical type

RoHS



● Configuration of product Part No.

PCR-LS () LA()

① ② ③

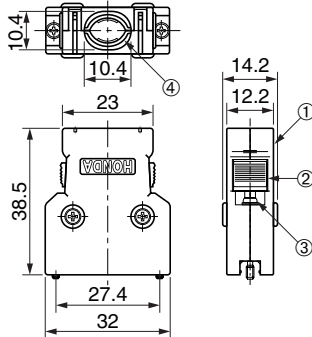
- ① Series name
- ② No. of contacts: 20, 28, 36 or 50
- ③ Vertical type backshell for PCR-S()FS+

PCR-LS20LA1 : Max outside diameter of cable is 10 mm.
 PCR-LS20LA : Max outside diameter of cable is 10 mm.
 PCR-LS28LA : Max outside diameter of cable is 14.5 mm.
 PCR-LS36LA : Max outside diameter of cable is 15 mm.
 PCR-LS50LA : Max outside diameter of cable is 16 mm.

PCR-LS20LA1

● Components

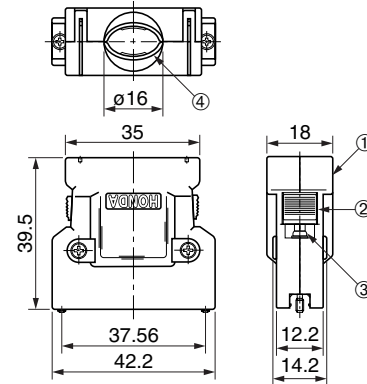
- | | |
|---|---------------|
| ① | Housing |
| ② | Lock hardware |
| ③ | Screw lock |
| ④ | Clamp |



PCR-LS36LA

● Components

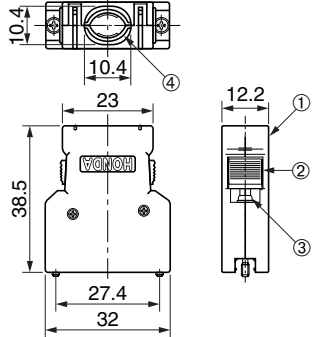
- | | |
|---|---------------|
| ① | Housing |
| ② | Lock hardware |
| ③ | Screw lock |
| ④ | Clamp |



PCR-LS20LA

● Components

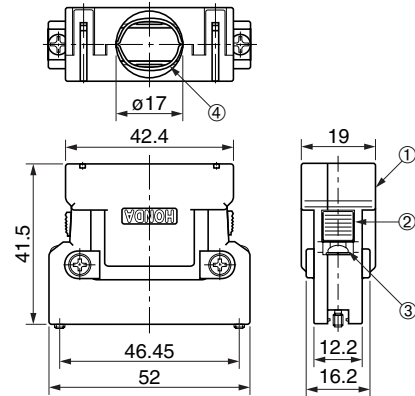
- | | |
|---|---------------|
| ① | Housing |
| ② | Lock hardware |
| ③ | Screw lock |
| ④ | Clamp |



PCR-LS50LA

● Components

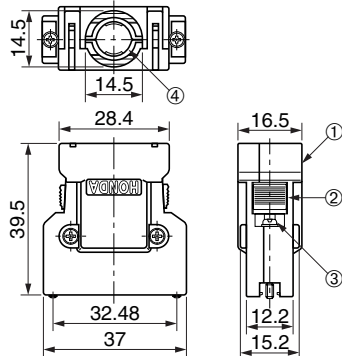
- | | |
|---|---------------|
| ① | Housing |
| ② | Lock hardware |
| ③ | Screw lock |
| ④ | Clamp |



PCR-LS28LA

● Components

- | | |
|---|---------------|
| ① | Housing |
| ② | Lock hardware |
| ③ | Screw lock |
| ④ | Clamp |



Mating connectors: PCR-S()FS+