

Straight through hole type female connector for PCB  
MR-( )FD2( )

For PCB

Through hole

RoHS

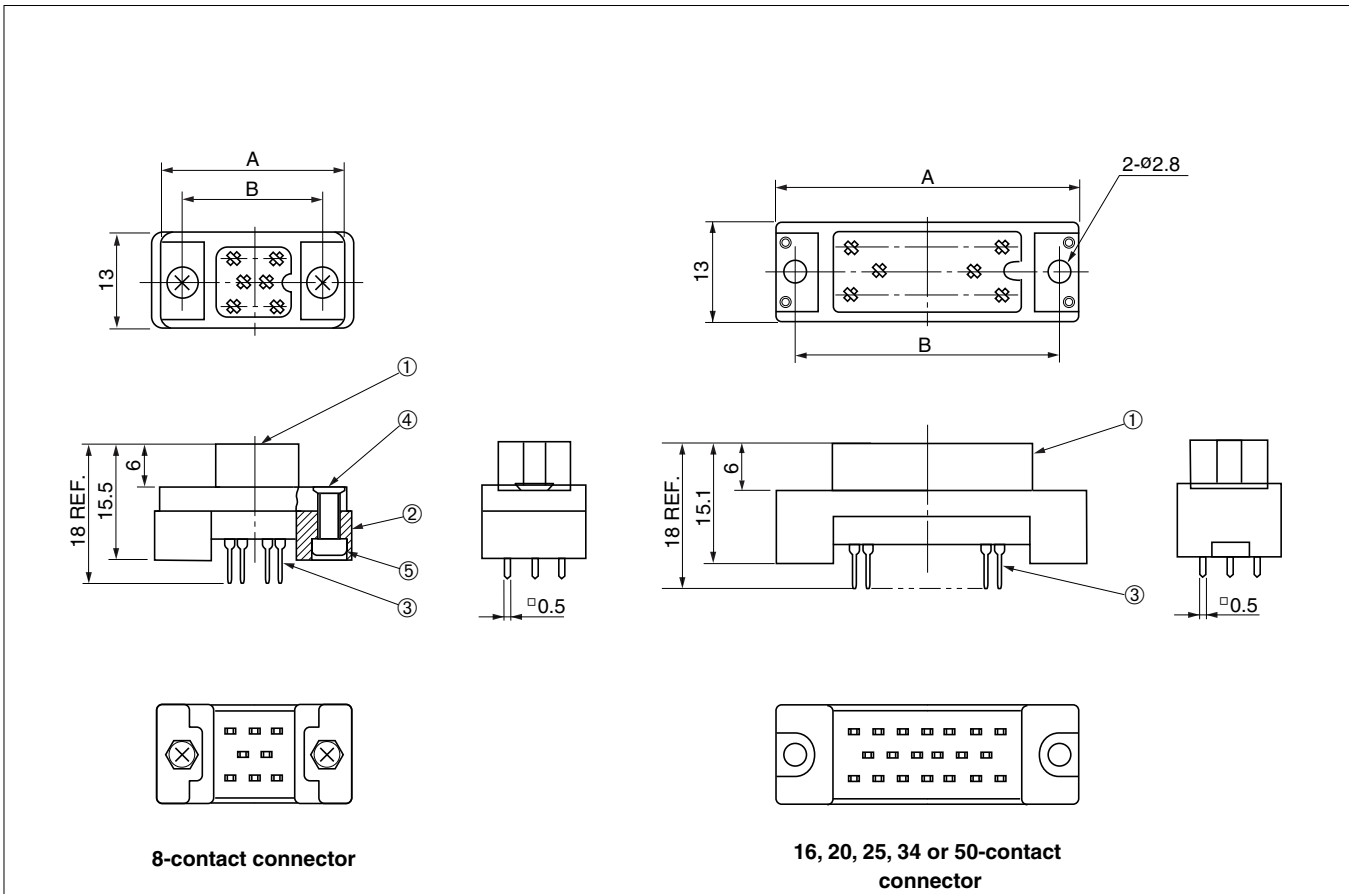


● Configuration of product Part No.

MR- ( ) FD2 ( )

①      ②      ③      ④

- ① Series name
- ② No. of contacts: 8, 16, 20, 25, 34 or 50
- ③ Type of contact: Through hole, female
- ④ Contact plating  
None: Silver plate (standard)  
G : Gold plate



● Dimensions

Part No.	A	B
MR-8FD2( )	22.4	17.4
MR-16FD2( )	30.2	25.2
MR-20FD2( )	32.8	27.8
MR-25FD2( )	38.0	33.0
MR-34FD2( )	45.8	40.8
MR-50FD2( )	61.4	56.4

● Components

①	Insulator
②	Spacer
③	Contact
④	Small-sized Phillips flat head screw
⑤	Hexagon nut

Mating connectors: MR and MRH series male connectors