

Push-Pull Connectors



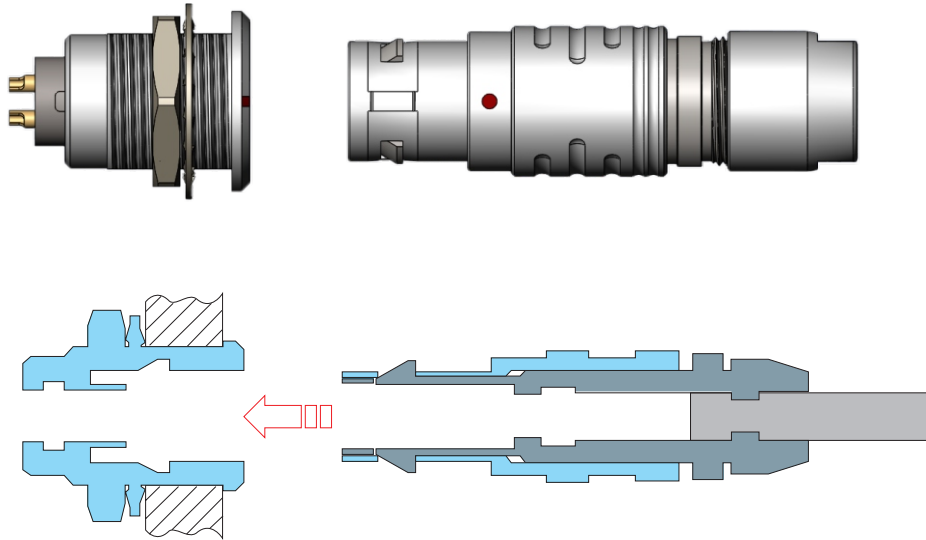
Push-pull Connectors

Push-Pull Self-Latching Connection System

插拔自锁链接系统

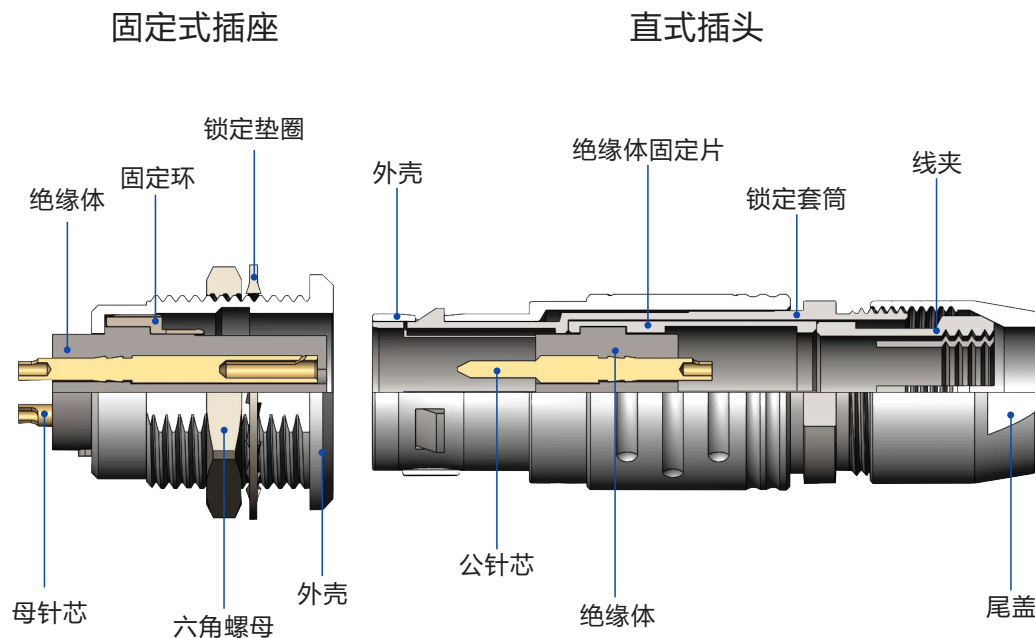
This self-latching system is renowned worldwide for its easy and quick mating and unmating features. It provides absolute security against vibration, shock or pull on the cable, and facilitates operation in a very limited space.

插拔自锁系统因简单快捷的插拔闻名于世。能有效抗振动、抗冲击，并且能防止因拉动电缆而导致的断连情况发生，使用起来绝对安全可靠，方便在非常有限的空间里插拔。



	<p>Self-latching system allows the connector to be mated by simply pushing the plug axially into the socket.</p> <p>操作简便的自锁系统，只需简单地将插头沿轴向推进插座即可锁定。</p>
	<p>Once firmly latched, connection cannot be broken by pulling on the cable or any other component part other than the outer release sleeve.</p> <p>一旦锁定，除非拉动解锁装置，否则拉动电缆或者其他任何部位，都不会将连接断开。</p>
	<p>When required, the connector is disengaged by a single axial pull on the outer release sleeve. This first disengages the latches and then withdraws the plug from the socket.</p> <p>需要时，只需沿轴向拉动解锁装置，就会首先解除锁定插销，继而将插头退出插座。</p>

B系列产品剖面图



进入保护的定义 (IP 代码)

IEC60529 定义了电气设备为避免外物 (如工具、灰尘、手指) 及潮湿气体进入其外壳的密封保护等级分类。该分类法表示为字母 IP (Ingress Protection) 后面加两个数字。

例如: IP 50 = IP 5 0

IP 字母代码
第 1 个数字
第 2 个数字

保护等级——第1个数字

IP 代码的第 1 个数字表示避免人体触及运动部件的保护程度, 以及防止固体外物进入设备外壳的保护程度。

保护等级——第2个数字

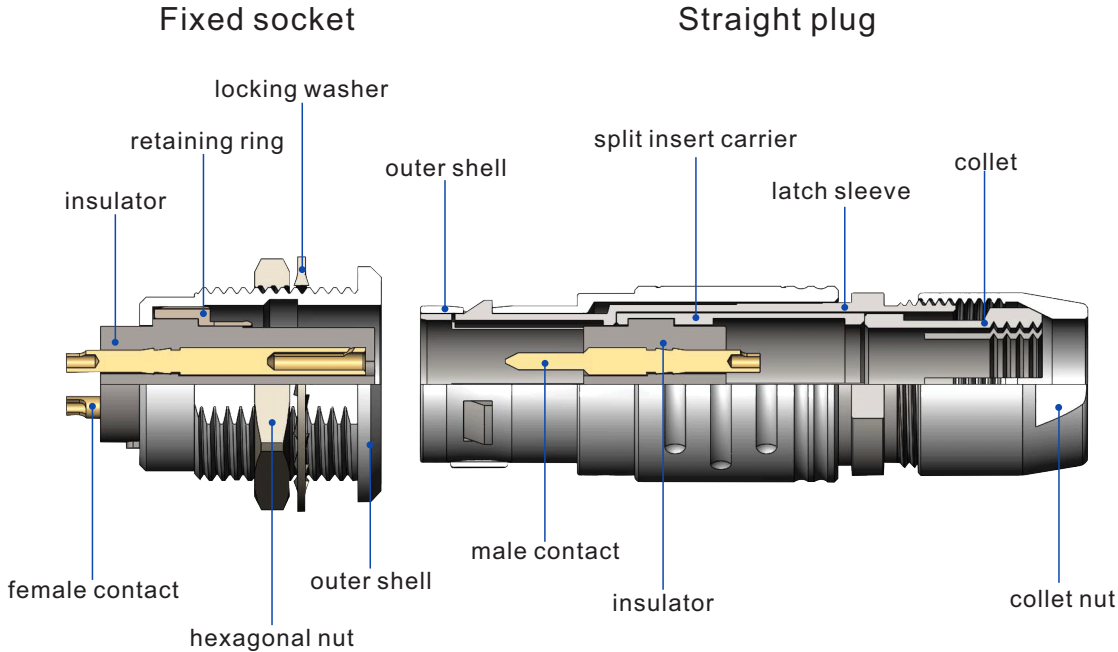
第 2 个数字表示避免水以各种形式进入 (如滴入、喷入、浸入等) 设备外壳的保护程度。

代码	第1个数字的含义
0	无特殊保护
1	防止身体较大的部位 (比如手) 或防止直径大于 50 mm 的固体物质进入
2	防止直径大于 12 mm 但长度不超过 80 mm 的物体进入
3	防止工具、电线等直径或厚度大于 2.5 mm 的物体进入
4	防止直径或厚度大于 1.0 mm 的固体物质进入
5	防止灰尘积垢影响设备运行
6	完全防尘
7	-
8	-

代码	第2个数字的含义
0	无特殊保护
1	防止水垂直滴入
2	防止水以不超过 15° 倾角滴入
3	防止喷洒的水进入
4	防止水溅入
5	防止喷射的水进入
6	防止猛烈海浪或强力喷水的进入
7	防止临时浸没过程中的水进入
8	防止完全、连续淹没过程中的水进入

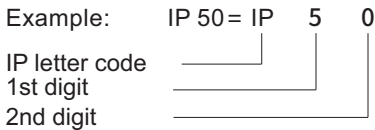
Push-pull connectors

B Series Part Section Showing Internal Components



Definition of Ingress Protection (IP code)

IEC 60529 outlines an international classification system for the sealing effectiveness of enclosures of electrical equipment against the intrusion into the equipment of foreign bodies (i.e. tools, dust, fingers) and moisture. This classification system utilizes the letters «IP» (Ingress Protection) followed by two digits.



Degrees of protection - First digit

The first digit of the IP code indicates the degree to which persons are protected against contact with moving parts and the degree that equipment is protected against solid foreign bodies intruding into an enclosure.

Degrees of protection - Second digit

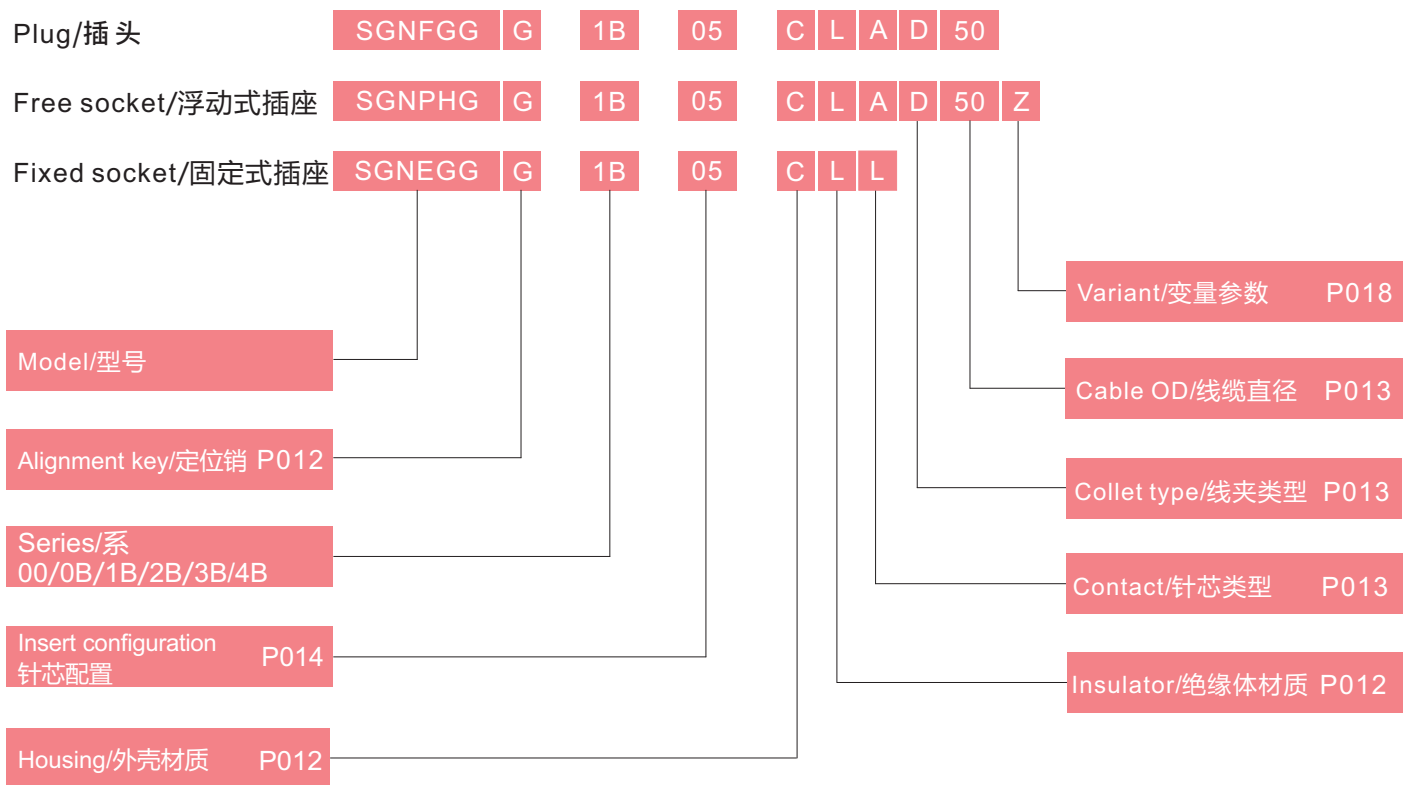
The second digit indicates the degree of protection of the equipment inside the enclosure against the harmful entry of various forms of moisture (e.g. dripping, spraying, submersion, etc.)

Code	First digit description
0	No special protection
1	Protection from a large part of the body such as hand or from solid objects greater than 50 mm in diameter
2	Protection against objects not greater than 80 mm in length and 12 mm in diameter
3	Protection from entry by tools, wires, etc., with a diameter or thickness greater than 2.5 mm
4	Protection from entry by solid objects with a diameter or thickness greater than 1.0 mm
5	Protection from the amount of dust that would interfere with the operation of the equipment
6	Dust-tight
7	-
8	-

Code	Second digit description
0	No special protection
1	Protection from vertically dripping water
2	Protection from dripping water when tilted up to 15°
3	Protection from sprayed water
4	Protection from splashed water
5	Protection from water projected from a nozzle
6	Protection against heavy seas, or powerful jets of water
7	Protection against temporary immersion
8	Protection against complete continuous submersion in water

Push-pull connectors

Order Number/编码规则



Examples/编码示例

- SGNFGG1B05CLAD50=straight plug with key (G) and cable collet, 1B series, multipole type with 5 contacts, outer shell in chrome-plated brass, PEEK insulator, male solder contacts, D type collet for 4.6mm~5.0mm diameter cable.
SGNFGG1B05CLAD50=直式插头，定位销（G），带线夹，1B系列，多芯类型，5芯，黄铜镀铬外壳，PPS绝缘体，焊接型公针芯，适用于外径4.6mm~5.0mm电缆的D型线夹。
- SGNPHG1B05CLAD50Z=free socket with key (G) and cable collet, 1B series, multipole type with 5 contacts, outer shell in chrome plated brass, PEEK insulator, female solder contacts, D type collet for 4.6mm~5.0mm diameter cable and nut for fitting a bend relief.
SGNPHG1B05CLAD50Z=浮动式插座，定位销（G），带线夹，1B系列，多芯类型，5芯，黄铜镀铬外壳，PPS绝缘体，焊接型母针芯，适用于外径4.6mm~5.0mm电缆的D型线夹，带护套号的尾螺帽。
- SGNEGG1B05CLL=fixed socket, nut fixing, with key (G), 1B series, multipole type with 5 contacts, outer shell in chrome-plated brass, PEEK extended insulator, female crimp contacts.
SGNEGG1B05CLL=固定式插座，螺母固定，定位稍（G），1B系列，多芯类型，5芯，黄铜镀铬，PPS绝缘体，焊接型母针芯。

Push-pull connectors

B Series Main Features

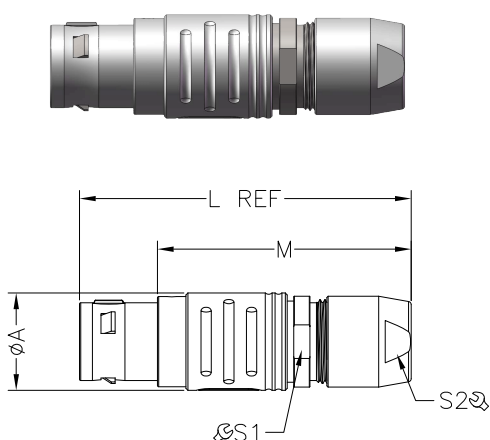
1. Security of the Push-Pull self-latching system.
快速的推拉自锁系统。
2. Solder, crimp or print contacts.
焊接，压接和印制板型接插件针芯。
3. Straight or elbow.
直式，90°弯角式。
4. Multiple key options to avoid cross mating, of similar connectors.
多种定位销选择可避免一机多用相似连接器之间的混插。
5. 360° screening for full EMC shielding.
全方位屏蔽效果，抗电磁干扰。
6. Multipole types 2 to 64 contacts, high packing density for space savings.
系列多芯型，高密度安装节约空间。
7. Keying system («G» key standard), for connector alignment.
定位销系统，G为标准定位销，用于连接器对位。

Technical Characteristics

Characteristics 特性	Value 参数
Temperature range 工作温度	-55°C~+250°C
Humidity 湿度	up to 95% at 60° C
Shielding efficiency 屏蔽性能	> 75dB(10MHz) > 40dB(1GHz)
Resistance to vibrations 抗振动性能	10-2000Hz, 15g
Salt spray corrosion test 盐雾腐蚀试验	> 144h
Shock resistance 抗冲击性能	100g, 6ms
Mechanical operation 插拔次数	> 5000 cycles
Protection index 防护等级	IP50

SGNF GG Straight plug, key (G) or keys (A...M and R), cable collet

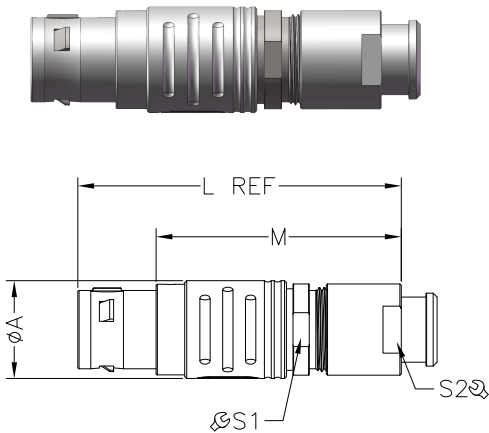
SGNF GG 直式插头，定位销 (G) 或定位销 (A-M和R)，电缆线夹



Reference/编号		Dimensions/尺寸 (mm)				
Model/型号	Series/系列	ØA	L	M	S1	S2
SGNF GG	00	6.4	28.5	20.5	5.5	5
SGNF GG	0B	9.5	36.0	26.0	8.0	7
SGNF GG	1B	12.0	43.0	32.0	10.0	9
SGNF GG	2B	15.0	50.0	38.0	13.0	12
SGNF GG	3B	18.0	58.0	43.0	15.0	14
SGNF GG	4B	25.0	75.0	57.0	21.0	20

SGNFGG Straight plug, key (G) or keys (A...M), cable collet and nut for fitting a bend relief

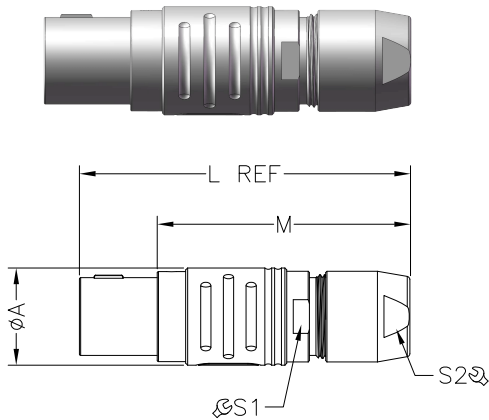
SGNFGG 直式插头，定位销（G）或定位销（A-M），电缆线夹和带护套型的尾盖



Reference/编号		Dimensions/尺寸 (mm)				
Model/型号	Series/系列	ØA	L	M	S1	S2
SGNFGG	00	6.4	36.5	28.5	5.5	6
SGNFGG	0B	9.5	35.5	25.0	8.0	7
SGNFGG	1B	12.0	42.0	31.0	10.0	9
SGNFGG	2B	15.0	49.0	37.0	13.0	12
SGNFGG	3B	18.0	56.5	41.5	15.0	15
SGNFGG	4B	25.0	71.0	53.0	21.0	20

SGNFFG Straight plug, non-latching, key (G) or keys (A...M), cable collet

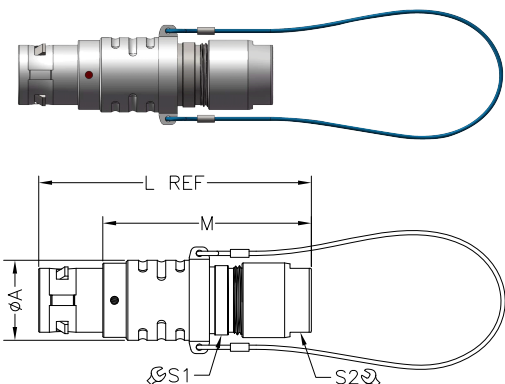
SGNFFG 直式插头，不带锁定装置，定位销（G）或定位销（A-M），电缆线夹



Reference/编号		Dimensions/尺寸 (mm)				
Model/型号	Series/系列	ØA	L	M	S1	S2
SGNFFG	0B	9.5	36.0	26.0	8.0	7
SGNFFG	1B	12.0	43.0	32.0	10.0	9
SGNFFG	2B	15.0	50.0	38.0	13.0	12
SGNFFG	3B	18.0	58.0	43.0	15.0	14
SGNFFG	4B	25.0	75.0	57.0	21.0	20

SGNFNG Straight plug, key (G) or keys (A...M and R), cable collet and lanyard release

SGNFNG 直式插头，定位销（G）或定位销（A-M和R），电缆线夹和解锁拉绳

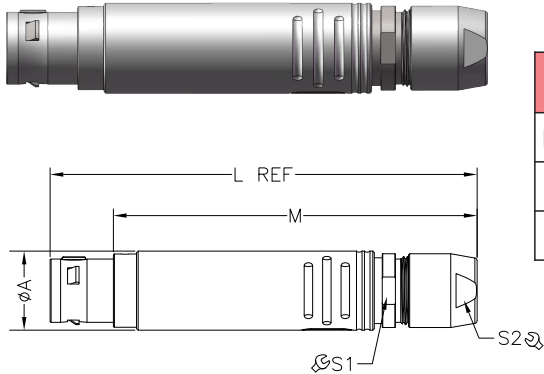


Reference/编号		Dimensions/尺寸 (mm)				
Model/型号	Series/系列	ØA	L	M	S1	S2
SGNFNG	0B	9.5	36.0	26.0	8.0	7
SGNFNG	1B	12.0	43.0	32.0	10.0	9
SGNFNG	2B	15.0	49.0	37.0	13.0	12
SGNFNG	3B	18.0	58.0	43.0	15.0	14
SGNFNG	4B	25.0	75.0	57.0	21.0	20

Push-pull connectors

SGNFDG Straight plug, long version, key (G) or keys (A...L), cable collet

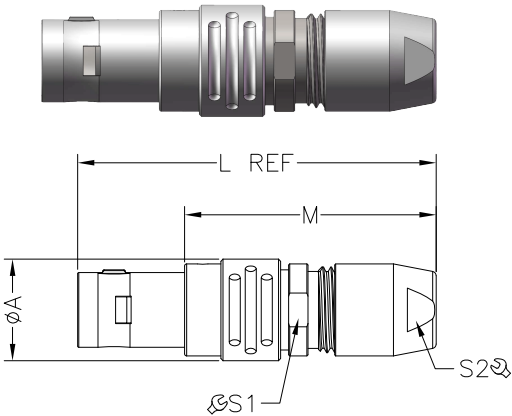
SGNFDG 直式插头，加长型，定位销（G）或定位销（A-L），电缆线夹



Reference/编号		Dimensions/尺寸 (mm)				
Model/型号	Series/系列	ØA	L	M	S1	S2
SGNFDG	1B	12.0	68.0	57.0	10.0	9
SGNFDG	2B	15.0	79.0	67.0	13.0	12

SGNJGG Straight plug, short version, key (G), cable collet

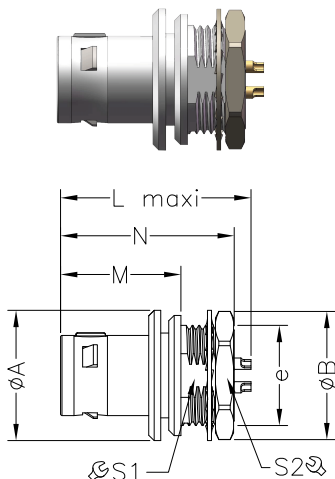
SGNJGG 直式插头，短型，定位销（G）



Reference/编号		Dimensions/尺寸 (mm)				
Model/型号	Series/系列	ØA	L	M	S1	S2
SGNJGG	0B	9.5	32.0	22.0	8.0	7

SGNFWG Fixed plug, nut fixing, key (G) or keys (A...L)

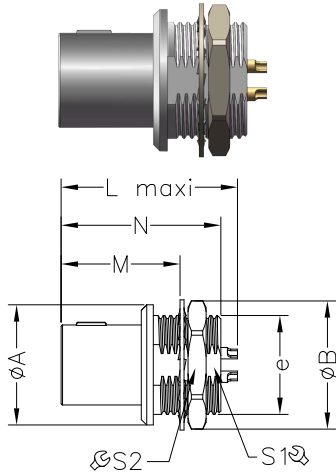
SGNFWG 固定式插头，螺母固定，定位销（G）或定位销（A-L）



Reference/编号		Dimensions/尺寸 (mm)							
Model/型号	Series/系列	ØA	ØB	e	L	M	N	S1	S2
SGNFWG	1B	18.0	15.8	M12x1.0	24.9	17	24.8	10.5	14.0
SGNFWG	2B	19.5	19.2	M15x1.0	28.6	18	27.3	13.5	17.0

SGNFAG Fixed plug, non-latching, nut fixing, key (G) or keys (A...M and R)

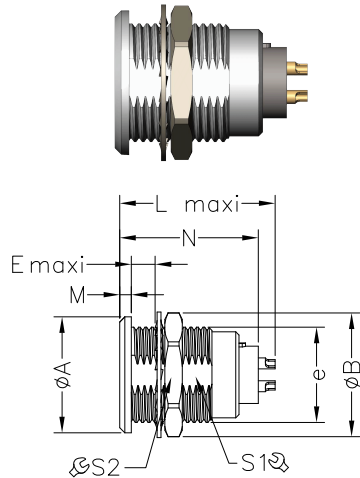
SGNFAG 固定式插头，不带锁定装置，螺母固定，定位销（G）或定位销（A-M和R）



Reference/编号		Dimensions/尺寸 (mm)							
Model/型号	Series/系列	ØA	ØB	e	L	M	N	S1	S2
SGNFAG	00	8	10.2	M7x0.5	18.1	9.0	15.0	6.3	9
SGNFAG	0B	10	12.4	M9x0.6	20.8	11.2	18.9	8.2	11
SGNFAG	1B	14	15.8	M12x1.0	25.2	12.5	15.0	6.3	9
SGNFAG	2B	18	19.2	M15x1.0	28.7	13.8	18.9	8.2	11
SGNFAG	3B	22	25.0	M18x1.0	32.1	17.0	15.0	6.3	9
SGNFAG	4B	29	34.0	M25x1.0	37.1	20.5	18.9	8.2	11

SGNEGG Fixed socket, nut fixing, key (G) or keys (A...M and R)

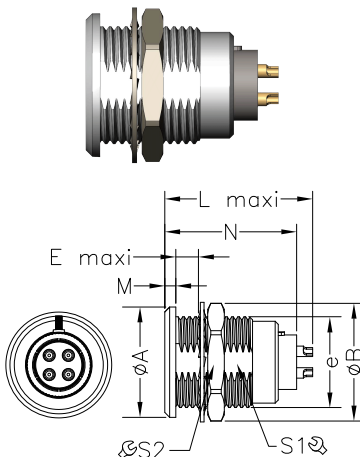
SGNEGG 固定式插座，螺母固定，定位销（G）或定位销（A-M和R）



Reference/编号		Dimensions/尺寸 (mm)								
Model/型号	Series/系列	ØA	ØB	e	E	L	M	N	S1	S2
SGNEGG	00	8	10.2	M7x0.5	6.0	15.5	1.0	13.7	6.3	9
SGNEGG	0B	10	12.4	M9x0.6	7.0	20.7	1.2	19.1	8.2	11
SGNEGG	1B	14	15.8	M12x1.0	7.5	23.0	1.5	21.1	10.5	14
SGNEGG	2B	18	19.2	M15x1.0	8.5	26.7	1.8	24.6	13.5	17
SGNEGG	3B	22	25.0	M18x1.0	11.5	30.7	2.0	28.1	16.5	22
SGNEGG	4B	28	34.0	M25x1.0	12.0	35.7	2.5	34.1	23.5	30

SGNEKG Fixed socket, nut fixing, key (G) or keys (A...M and R), Special mark

SGNEKG 固定式插座，螺母固定，定位销（G）或定位销（A-M和R），前面有特殊对未标记

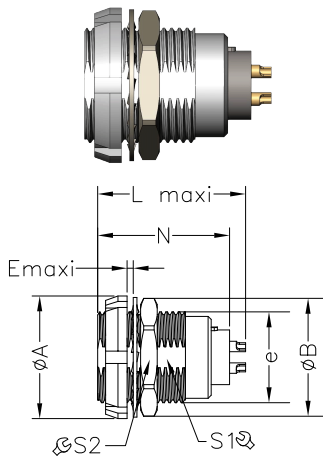


Reference/编号		Dimensions/尺寸 (mm)								
Model/型号	Series/系列	ØA	ØB	e	E	L	M	N	S1	S2
SGNEKG	2B	18	19.2	M15x1.0	8.5	26.7	1.8	24.6	13.5	17
SGNEKG	3B	22	25.0	M18x1.0	11.5	30.7	2.0	28.1	16.5	22
SGNEKG	4B	28	34.0	M25x1.0	12.0	35.7	2.5	34.1	23.5	30

Push-pull connectors

SGNECG Fixed socket with two nuts, key (G) or keys (A...M and R) (back panel mounting)

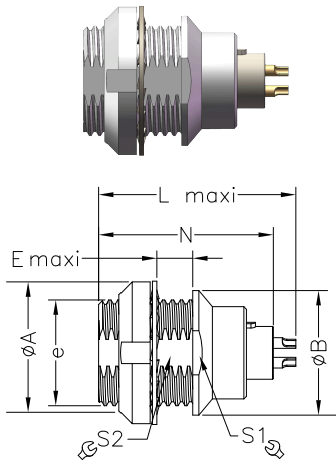
SGNECG 固定式插座，带两个螺母，定位销 (G) 或定位销 (A-M和R)，后面板安装



Reference/编号		Dimensions/尺寸 (mm)								
Model/型号	Series 系列	ØA	ØB	e	E	L	M	N	S1	S2
SGNECG	00	10	10.2	M7x0.5	4.3	13.7	2.5	13.7	6.3	9
SGNECG	0B	12	12.4	M9x0.6	5.5	20.7	2.5	19.1	8.2	11
SGNECG	1B	16	15.8	M12x1.0	6.0	23.0	3.5	21.1	10.5	14
SGNECG	2B	20	19.2	M15x1.0	6.5	26.7	3.5	24.6	13.5	17
SGNECG	3B	24	25.0	M18x1.0	9.0	30.7	4.5	28.1	16.5	22
SGNECG	4B	30	34.0	M25x1.0	10.0	35.7	4.5	32.6	23.5	30

SGNEEG Fixed socket, nut fixing, key (G) or keys (A...M and R) (back panel mounting)

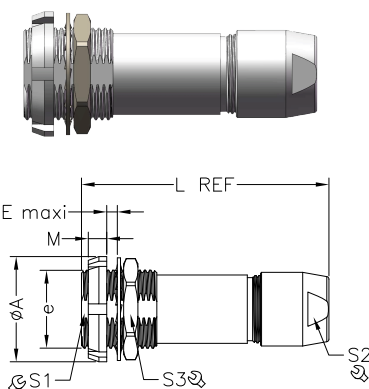
SGNEEG 固定式插座，螺母固定，定位销 (G) 或定位销 (A-M和R)，后面板安装



Reference/编号		Dimensions/尺寸 (mm)								
Model/型号	Series 系列	ØA	ØB	e	E	L	M	N	S1	S2
SGNEEG	00	10	9.5	M7x0.5	2.3	15.5	2.5	13.7	6.3	7.5
SGNEEG	0B	12	12.5	M9x0.6	2.4	20.7	2.5	19.1	8.2	9.0
SGNEEG	1B	16	16.0	M12x1.0	6.5	23.0	3.5	21.1	10.5	13.0
SGNEEG	2B	20	20.0	M15x1.0	3.0	26.7	3.5	24.6	13.5	15.0
SGNEEG	3B	24	25.0	M18x1.0	5.0	30.7	4.5	28.1	16.5	20.0

SGNPFG Fixed socket, with two nuts, key (G) or keys (A...M and R), cable collet (back panel mounting)

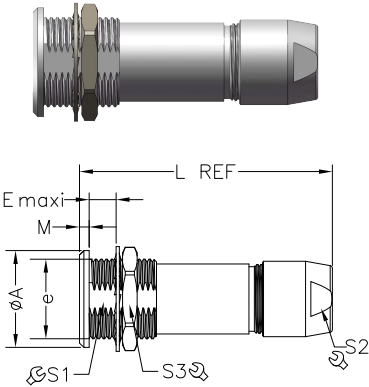
SGNPFG 固定式插座，两个螺母，定位销 (G) 或定位销 (A-M和R)，电缆线夹 (后面板安装)



Reference/编号		Dimensions/尺寸 (mm)								
Model/型号	Series 系列	ØA	ØB	e	E	L	M	S1	S2	S3
SGNPFG	00	10	10.2	M7x0.5	5.3	26.0	2.5	6.3	5	9
SGNPFG	0B	12	12.4	M9x0.6	5.0	35.5	2.5	8.2	7	11
SGNPFG	1B	16	15.8	M12x1.0	5.0	40.5	3.5	10.5	9	14
SGNPFG	2B	20	19.2	M15x1.0	6.5	47.0	3.5	13.5	12	17
SGNPFG	3B	24	25.0	M18x1.0	9.0	56.0	4.5	16.5	14	22
SGNPFG	4B	30	34.0	M25x1.0	11.0	73.0	4.5	23.5	20	30

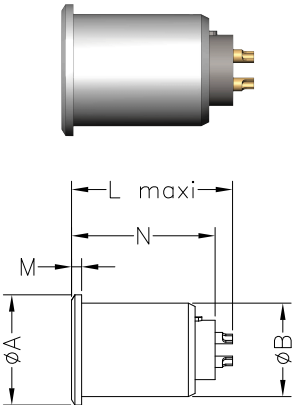
Push-pull connectors

SGNPKG Fixed socket, nut fixing, key (G) or keys (A...M and R), cable collet
SGNPKG 固定式插座，螺母固定，定位销（G）或定位销（A-M和R），电缆线夹



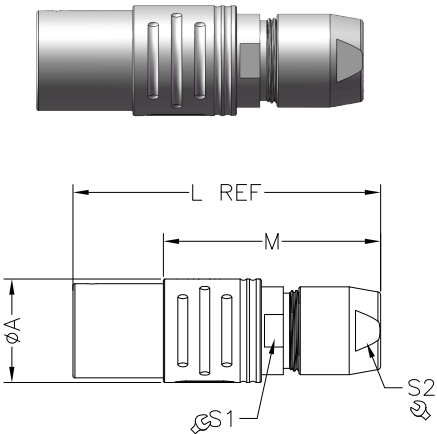
Reference/编号		Dimensions/尺寸 (mm)								
Model/型号	Series 系列	ØA	ØB	e	E	L	M	S1	S2	S3
SGNPKG	00	8	10.2	M7x0.5	6.5	26.0	1.0	6.3	5	9
SGNPKG	0B	10	12.4	M9x0.6	7.0	35.5	1.2	8.2	7	11
SGNPKG	1B	14	15.8	M12x1.0	7.5	40.5	1.5	10.5	9	14
SGNPKG	2B	18	19.2	M15x1.0	8.5	47.0	1.8	13.5	12	17
SGNPKG	3B	22	25.0	M18x1.0	11.5	56.0	2.0	16.5	14	22
SGNPKG	4B	28	34.0	M25x1.0	12.0	73.0	2.5	23.5	20	30

SGNEJG Fixed socket, Press-fit or adhesive connection, key (G) or keys (A...M and R)
SGNEJG 固定式插座，压合或粘合连接，定位销（G）或定位销（A-M和R）



Reference/编号		Dimensions/尺寸 (mm)				
Model/型号	Series 系列	ØA	ØB	L	M	N
SGNEJG	0B	9.2	8.35	20.7	1.5	19.1
SGNEJG	1B	12.5	11.2	23.0	1.5	21.1
SGNEJG	2B	16.5	14.0	26.7	1.5	24.6

SGNPHG Free socket, key (G) or keys (A...M and R), cable collet
SGNPHG 浮动式插座，定位销（G）或定位销（A-M和R），电缆线夹

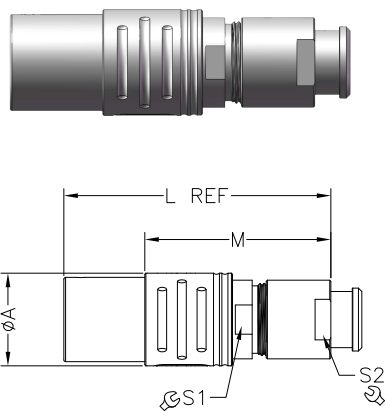


Reference/编号		Dimensions/尺寸 (mm)			
Model/型号	Series 系列	ØA	L	S1	S2
SGNPHG	00	6.8	26.0	5.5	5
SGNPHG	0B	9.5	35.5	8.0	7
SGNPHG	1B	12.5	40.5	10.0	9
SGNPHG	2B	16.5	47.0	13.0	12
SGNPHG	3B	19.0	56.0	15.0	14
SGNPHG	4B	26.0	73.0	21.0	20

Push-pull connectors

SGNPHG Free socket, key (G) or keys (A...M), cable collet and nut for fitting a bend relie

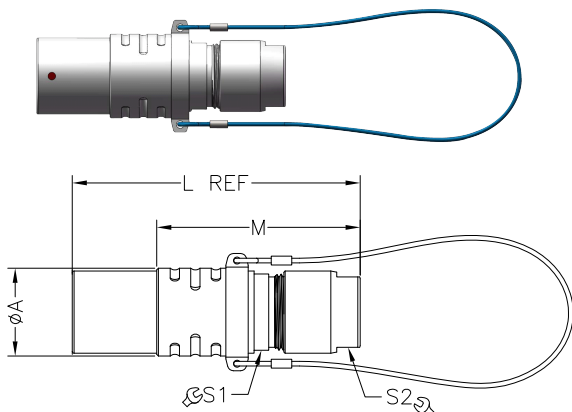
SGNPHG 浮动式插座，定位销（G）或定位销（A-M），电缆线夹合带护套型的尾盖



Reference/编号		Dimensions/尺寸 (mm)			
Model/型号	Series 系列	ØA	L	S1	S2
SGNPHG	00	6.8	34.0	5.5	6
SGNPHG	0B	9.5	34.5	8.0	7
SGNPHG	1B	12.5	39.5	10.0	9
SGNPHG	2B	16.5	46.0	13.0	12
SGNPHG	3B	19.0	54.5	15.0	15
SGNPHG	4B	26.0	69.0	21.0	20

SGNPNG Free socket, nut fixing, key (G) or keys (A...L and R), cable collet with lanyard release

SGNPNG 浮动式插座，定位销（G）或定位销（A-M和R），电缆线夹和解锁拉绳



Reference/编号		Dimensions/尺寸 (mm)			
Model/型号	Series 系列	ØA	L	S1	S2
SGNPNG	1B	12.4	40.5	10.0	9
SGNPNG	2B	16.5	47.0	13.0	12
SGNPNG	3B	19.0	56.0	15.0	14
SGNPNG	4B	26.0	73.0	21.0	20

Push-pull connectors

Alignment Key and Polarized Keying System/定位销和极性定位销组合

B series connector model part numbers are composed of three letters. The LAST LETTER indicates the key position and the contact type (male or female).

B 系列连接器外壳型号由三个字母组成，最后一个字母表示定位销位置和针芯类型（公针芯或母针芯）。

Front view of a socket 插座正视图	Ref. 编号	Nb of keys 定位销数量	Angles 角度	Series/系列			Ref. 编号	Nb of keys 定位销数量	Angles 角度	Series/系列			Contact type 针芯类型	
				00	0B	1B				2B	3B	4B	Plug 插头	Socket 插座
														
G	1			0°	0°	0°	G	1		0°	0°	0°	Male	Female
A	2	α		30°	30°	30°	A	2	α	30°	30°	30°	Male	Female
B	2			60°	60°	60°	B	2		45°	45°	45°	Male	Female
C	2			-	90°	90°	C	2		60°	60°	60°	Male	Female
D	2	β		-	135°	135°	D	2	γ	95°	95°	95°	Male	Female
E	2			-	145°	145°	E	2		120°	120°	120°	Male	Female
F	2			-	155°	155°	F	2		145°	145°	145°	Male	Female
J	2	γ		45°	45°	45°	J	2	α	37.5°	37.5°	37.5°	Male	Female
K	2			-	70°	70°	K	2		32.5°	32.5°	32.5°	Male	Female
L	2	δ		-	80°	80°	L	2	γ	70°	70°	70°	Male	Female
M	2			-	110°	-	M	2		-	-	-	Male	Female
Y	3			-	-	-	Y	3	β	112.5°	126°	112.5°	Male	Female
				-	-	-				γ	100°	102°		

Front view of a socket 插座正视图	Ref. 编号	Nb of keys 定位销数量	Angles 角度	Series/系列			Ref. 编号	Nb of keys 定位销数量	Angles 角度	Series/系列			Contact type 针芯类型	
				00	0B	1B				2B	3B	4B	Plug 插头	Socket 插座
														
R	5			α	-	-	R	5		α	-	-	Male	Female
				β	-	-				β	-	-		
				-	-	-				-	-	-		
				-	-	-				-	-	-		

Housings/外壳材质

Ref. 编号	Outer shell and collet nut 外壳和尾盖		Latch sleeve + earthing crown 锁定套筒 + 接地环		Other metallic components 其他金属构件	
	Material 材料	Surf. treatment 表面处理	Material 材料	Surf. treatment 表面处理	Material 材料	Surf. treatment 表面处理
C	Brass	chrome	brass/bronze	nickel 2)	Brass	nickel
N	Brass	nickel	brass/bronze	nickel 2)	Brass	nickel
K	Brass	black chrome	brass/bronze	nickel 2)	Brass	nickel
S	Stainless steel	-	brass/bronze	nickel 2)	Brass	nickel
T	Stainless steel	-	Stainless steel	-	Brass	nickel
U	Stainless steel	-	Stainless steel	-	Stainless steel	-
L	Aluminium alloy	anodized	brass/bronze	nickel 2)	Brass	nickel
H	PPS/brass	-/nickel	brass/bronze	nickel 2)	Brass	nickel

Insulators/绝缘体材质

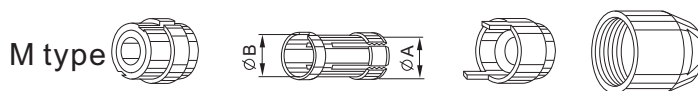
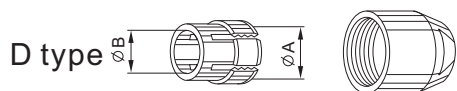
Ref. 编号	Material 材质	Contact type 针芯类型	Ref. 编号	Material 材质	Contact type 针芯类型
L	PEEK	Solder or print 焊接或插板式	N	PPS	Solder or print 焊接或插板式
Y	PEEK	Crimp 压接式	U	PPS	Crimp 压接式

Push-pull connectors

Contact type/针芯类型

Type	Solder/焊接式		Crimp/压接式		Print/插板式		
Ref./编号	A	L	C	M	D	N	V
	male	female	male	female	male	female	elbow

D and M type collets for B series/适用于B系列的D型和M型线夹



Reference/编号			Collet/线夹 Ø		Cable/电缆 Ø		Reference/编号			Collet/线夹 Ø		Cable/电缆 Ø	
Series 系列	Type 类型	Code 编码	Ø A	Ø B	Max.	Min.	Series 系列	Type 类型	Code 编码	Ø A	Ø B	Max.	Min.
00	D	20	2.2	-	2.2	1.4	2B	D	80	8.2	-	8.2	>7.2
	D	25	2.7	-	2.6	2.1		D	90	9.2	8.6	9.0	8.1
	D	35	3.5	2.8	3.5	>2.7		D	95	9.9	8.6	9.7	9.1
0B	D	20	2.1	-	2.0	1.5	3B	M	50	5.2	-	5.0	4.1
	D	30	3.1	-	3.2	>2.2		D	60	6.2	-	6.0	5.1
	D	40	4.2	-	4.0	3.1		D	70	7.2	-	7.0	6.1
	D	50	5.2	4.7	5.0	4.1		D	80	8.2	-	8.0	7.1
	D	55	5.6	4.7	5.6	>5.2		D	90	9.2	-	9.0	8.1
1B	M	25	2.7	-	2.6	2.2	D	10	10.2	-	10.0	9.1	
	M	30	3.1	-	3.0	2.6	D	11	11.2	10.2	11.0	10.1	
	D	40	4.2	-	4.2	2.5	D	12	11.9	10.2	11.7	11.1	
	D	50	5.2	-	5.0	4.1	M	60	6.2	-	6.0	5.1	
	D	60	6.2	-	6.0	5.1	M	70	7.2	-	7.0	6.1	
	D	70	7.2	6.7	7.0	6.1	M	80	8.2	-	8.0	7.1	
	D	75	7.6	6.7	7.5	7.1	M	90	9.2	8.6	9.5	8.1	
2B	M	20	2.1	-	2.0	1.5	4B	D	10	10.8	-	10.5	9.1
	M	30	3.1	-	3.0	2.1		D	12	12.3	-	12.0	10.6
	D	40	4.2	-	4.0	3.1		D	13	13.8	12.5	13.5	12.1
	D	50	5.2	-	5.0	4.1		D	15	15.3	12.5	15.0	13.6
	D	60	6.2	-	6.0	5.1		D	16	16.3	12.5	16.0	15.1
	D	70	7.2	-	7.0	6.1							





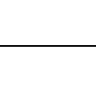
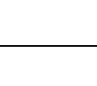
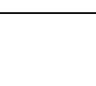
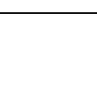
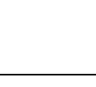
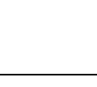
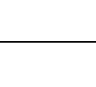
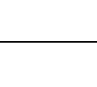
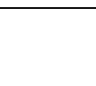
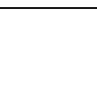
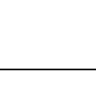
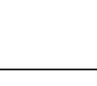
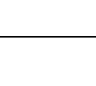
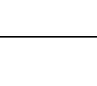




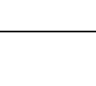
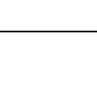


针芯配置 多芯/Insert configuration Multipole

系列 Series	针芯 数量 Contact number	孔位排列 Contact layout		插针 直径 Contact ϕ (mm)	接触 电阻 resistance (m Ω)	工作 电流 Rated current (A)	测试 电压 Test voltage (V)	工作 电压 working voltage (V)
		Male solder contacts 焊接公针芯	Female solder contacts 焊接母针芯					
00	02			0.5	10	5	1000	330
	03			0.5	10	3	800	260
	04			0.5	10	2	800	260
	05			0.35	10	1.7	700	200
0B	02			0.9	6	10	1000	500
	03			0.9	6	8	875	400
	04			0.7	7.5	7	875	300
	05			0.7	7.5	6.5	750	300
	06			0.5	10	2.5	750	300
	07			0.5	10	2.5	750	300
	09			0.5	10	2	600	200
	13			0.4	10	2	600	200
1B	02			1.3	5	15	1500	500
	03			1.3	5	12	1300	430
	04			0.9	6	10	1300	430

M5
M8
M9
M12
M16
M17
M23
7/8
RD24
D-B
NMEA
D-Sub
USB
RF
P-P

Push-pull connectors

针芯配置 多芯/Insert configuration Multipole

系列 Series	针芯 数量 Contact number	孔位排列 Contact layout		插针 直径 Contact ϕ (mm)	接触 电阻 resistance (m Ω)	工作 电流 Rated current (A)	测试 电压 Test voltage (V)	工作 电压 working voltage (V)
		Male solder contacts 焊接公针芯	Female solder contacts 焊接母针芯					
1B	05			0.9	6	9	1250	415
	06			0.7	7.5	7	1050	350
	07			0.7	7.5	7	950	315
	08			0.7	7.5	5	950	315
	10			0.5	10	2.5	900	300
	12			0.5	10	2	800	260
	14			0.5	10	2	800	260
	16			0.5	10	1.5	800	260
2B	02			2.0	3	25	2100	700
	03			1.6	4	17	2400	800
	04			1.3	5	15	1850	810
	05			1.3	5	14	1750	580
	06			1.3	5	12	1350	450
	07			1.3	5	11	1750	580
	08			0.9	6	10	1500	500
	10			0.9	6	8	1450	500

M5
M8
M9
M12
M16
M17
M23
7/8
RD
D-B
NMEA
D-Sub
USB
RF
P-P





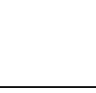
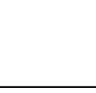








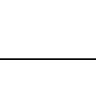
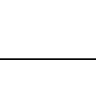
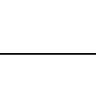
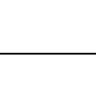

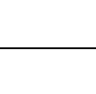
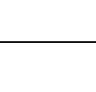
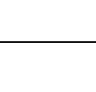
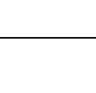
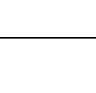


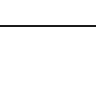
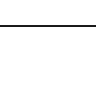
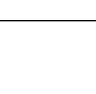
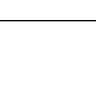
针芯配置 多芯/Insert configuration Multipole

系列 Series	针芯 数量 Contact number	孔位排列 Contact layout		插针 直径 Contact ϕ (mm)	接触 电阻 resistance (m Ω)	工作 电流 Rated current (A)	测试 电压 Test voltage (V)	工作 电压 working voltage (V)
		Male solder contacts 焊接公针芯	Female solder contacts 焊接母针芯					
2B	12			0.7	7.5	7	1250	480
	14			0.7	7.5	6.5	1150	380
	16			0.7	7.5	6	950	315
	18			0.7	7.5	5.5	850	280
	19			0.7	7.5	5	875	280
	26			0.5	10	2	950	315
3B	02			3.0	6	35	2100	700
	03			2.0	3	25	1900	650
	04			2.0	3	19	1500	550
	05			1.6	4	19	1900	650
	06			1.6	4	17	1600	533
	07			1.6	4	15	1700	550
	08			1.3	5	13	1650	550
	09 (8+1)			1.3*8 2.0*1	5	6.0 15.0	1350	450
	10			1.3	5	12	1250	415

M5
M8
M9
M12
M16
M17
M23
7/8
RD24
D-B
NMEA
D-Sub
USB
RF
P-P

Push-pull connectors

针芯配置 多芯/Insert configuration Multipole

系列 Series	针芯 数量 Contact number	孔位排列 Contact layout		插针 直径 Contact ϕ (mm)	接触 电阻 resistance (m Ω)	工作 电流 Rated current (A)	测试 电压 Test voltage (V)	工作 电压 working voltage (V)
		Male solder contacts 焊接公针芯	Female solder contacts 焊接母针芯					
3B	12			0.9	6	9	1450	450
	14			0.9	6	9	1200	400
	16			0.9	6	8	1200	395
	18			0.9	6	7	1200	395
	20			0.7	7.5	6	1000	395
	22			0.7	7.5	5.5	1000	330
	24			0.7	7.5	4	950	333
	26			0.7	7.5	4	950	315
	30			0.7	7.5	3.5	800	270
4B	4			3.0	6	30	2100	700
	6			2.0	3	24	2000	670
	7			2.0	3	20	2000	670
	10			1.6	4	17	1850	620
	12			1.3	5	12	1450	485
	16			0.9	6	10	1350	450

针芯配置 多芯/Insert configuration Multipole

系列 Series	针芯 数量 Contact number	孔位排列 Contact layout		插针 直径 Contact ϕ (mm)	接触 电阻 resistance (m Ω)	工作 电流 Rated current (A)	测试 电压 Test voltage (V)	工作 电压 working voltage (V)
		Male solder contacts 焊接公针芯	Female solder contacts 焊接母针芯					
4B	20			0.9	6	8.0	1350	450
	24			0.9	6	7.0	1200	400
	30			0.9	6	5.0	950	320
	40			0.7	7.5	2.0	900	300
	48			0.7	7.5	1.5	700	235

变量参数/Variant

系列/Series	编号/Ref.	尾盖/Collet	
		类别/Type	编码/Code
00	Z	D	17-35
0B	Z	D	21-52
1B	Z	M	27-31
		D	42-72
2B	Z	M	21-31
		D	42
		D	59-92
3B	Z	M	52
		D	62-11
4B	Z	M	62-72
		M	82-92
		D	10-15

Customized products

