

MOD series

Modular Connectors

Outline

MOD series connectors comply with FCC and NTT standards, allowing them to be used for international products.

Features

- Because these connectors are designed as smaller-sized and light-weight connectors, they are suitable for high density equipment with limited space.
- The contact plating is gold plate, ensuring that the connectors provide high reliability and secure contact.
- Through-hole and crimping type jacks are available.
- Ensures secure connectors with screw locks in the fit state, and fixed strength.
- Provides EMI-filtered countermeasure products.

Principal Applications

PDA, Modem, TA, factory automation (FA) equipment, industrial cameras, various electronic devices

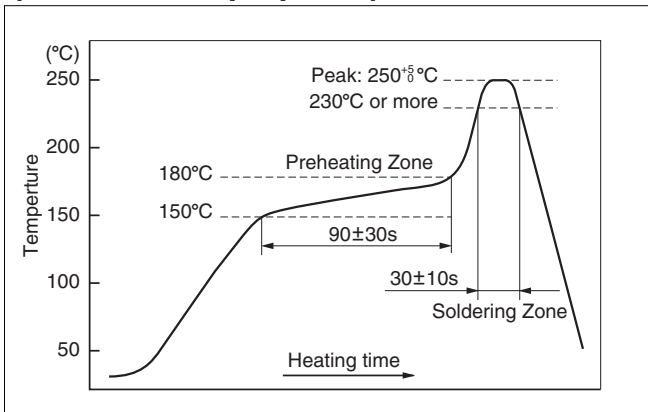
Electrical Characteristics

Rated voltage	125V AC (r.m.s.)
Rated current	0.5 to 1.5 A (Jack)
Insulation resistance	Over 1000 megohms at 100V DC
Dielectric withstanding voltage	500V AC (r.m.s.)
Contact resistance	20 to 60 milliohms or less

Document Disclaimer

- When placing orders with us, minimum order quantities are set for every product.
- Be sure to contact us before starting preliminary design of PCBs using our connectors.
- The specifications and information shown in the catalog are subject to change without notice.

Reflow temperature profile (for reference purposes)



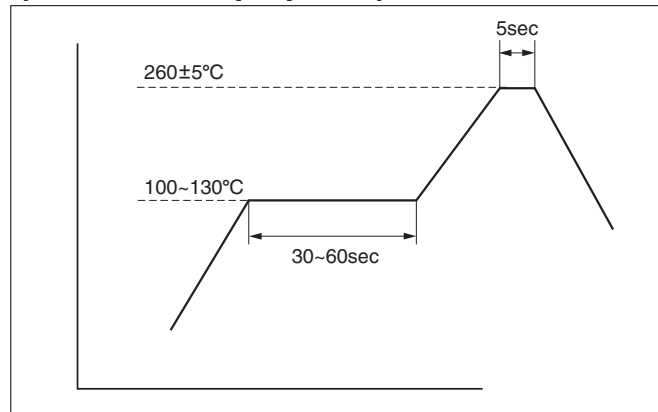
The reflow temperature profile shown in this drawing is for reference purposes. This profile depends on requirements such as reflow equipment, soldering paste, and PCB size. Thus, this profile may not meet with your specific situation. Please evaluate your PCB-mounting soldering and set your own reflow temperature profile.

●Applicable products

MOD-J88YA()A+
 MOD-SJ88YA()A+
 MOD-J88YA02E+
 MOD-YSJ88YA03C+

The profile shown in this drawing is applicable only for those products shown above.

Flow temperature profile (for reference purposes)



The flow temperature profile as shown above is for reference purposes. This profile depends on requirements such as the PCB size. Thus, this profile may not meet with your specific situation. Please evaluate your PCB-mounting soldering and set your own flow temperature profile.

●Applicable products

MOD-J4()DA()A+ MOD-SJ88DA02D()+
 MOD-J6()DA()A+ MOD-SJ88DA02B+
 MOD-J6()DA()B+ MOD-YSJ88D03C+
 MOD-J88DA12A+

The profile shown in this drawing is applicable only for those products shown above.

Product List



Right-angle through hole type modular jack for PCB
MOD-J4()DA()A+

E-6
MOD series...4



Right-angle through hole type modular jack for PCB
MOD-J6()DA()A+

E-7
MOD series...5



Right-angle through hole type modular jack for PCB
MOD-J6()DA()B+

E-8
MOD series...6



Cap for Jack
MOD-6C()

E-9
MOD series...7



Right-angle through hole type modular jack for PCB
MOD-J88DA12A+

E-10
MOD series...8



Right-angle SMT type modular jack for PCB
MOD-J88YA()A+

E-11
MOD series...9



Right-angle SMT type modular jack for PCB
MOD-SJ88YA()A+

E-12
MOD series...10



Right-angle through hole type modular jack for PCB
(With ferrite core)
MOD-SJ88DA02D()+

E-13
MOD series...11



Right-angle through hole type modular jack for PCB
MOD-SJ88DA02B+

E-14
MOD series...12



Right-angle SMT type modular jack for PCB
MOD-J88YA02E+

E-15
MOD series...13



Right-angle RJ45 modular jack with cables for panels
MOD-J88W22-AS()+

E-17
MOD series...15



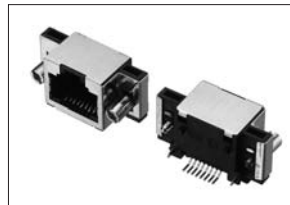
Right-angle R11 modular jack with cables for panels
MOD-J62W22-AS()+

E-18
MOD series...16



Straight through hole type modular jack for PCB
MOD-YSJ88D03C+

E-19
MOD series...17



Right-angle SMT type modular jack for PCB
MOD-YSJ88YA03C+

E-20
MOD series...18



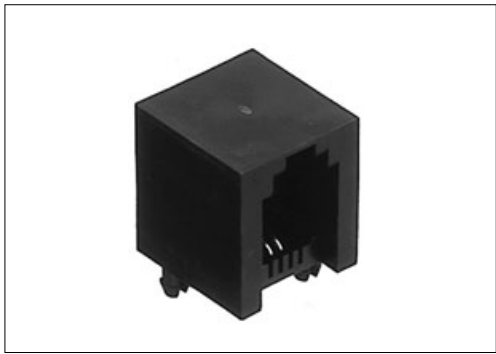
Modular plug
MOD-YSP88P03+

E-21
MOD series...19

Right-angle through hole type modular jack for PCB MOD-J4()DA()A+

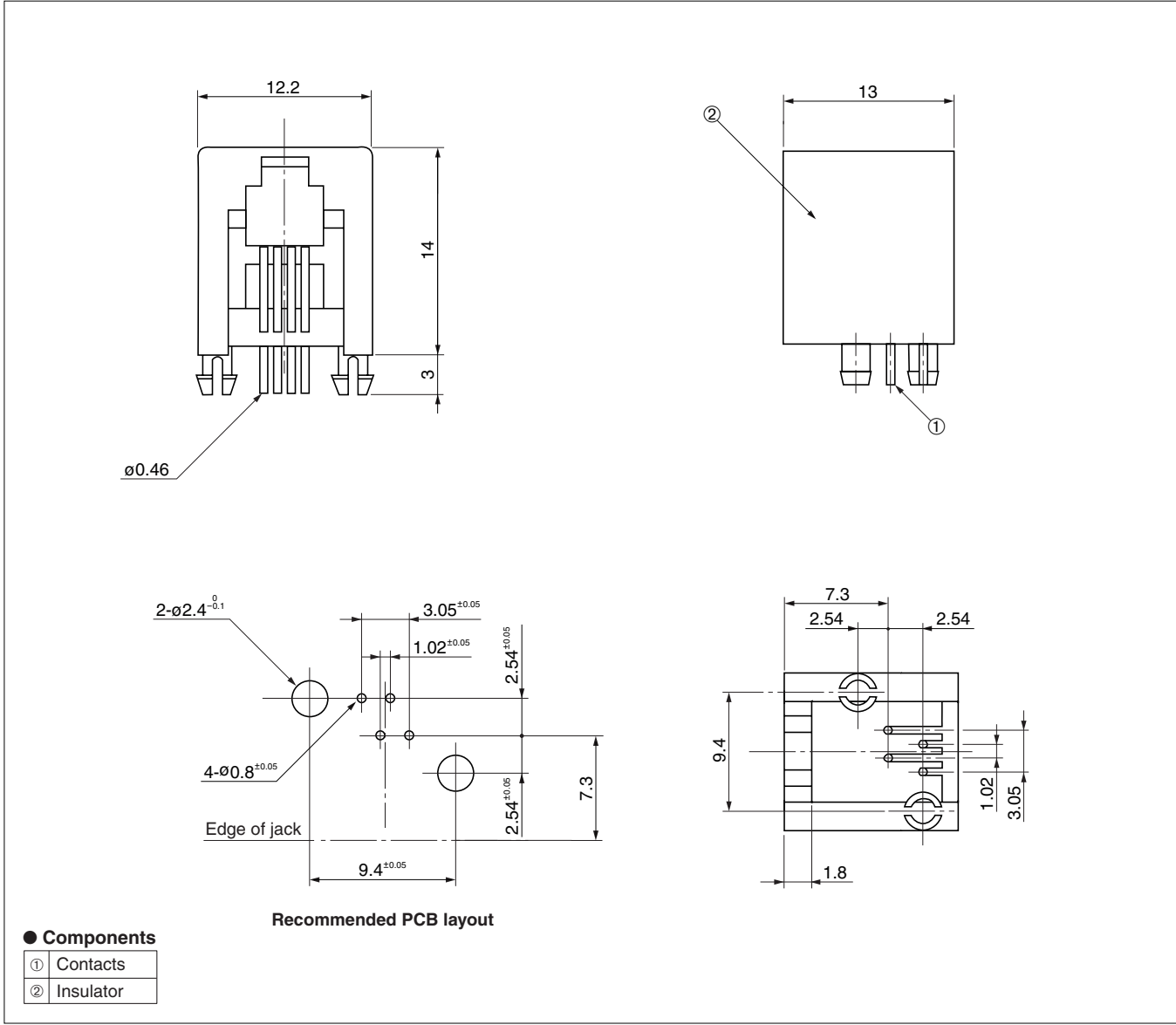
Modular connector
For PCB
Right-angle Through hole
FCC Standard

RoHS



● Configuration of product Part No.
MOD- J 4 () DA () A+

- | | |
|--------------------------------|-------------------------------|
| ① Series name | ⑤ Type of contact |
| ② Jack | Right-angle through hole type |
| ③ Opening size: For 4 contacts | ⑥ Contact plating |
| ④ No. of contacts | 03: Min. 0.3 μm Gold plate |
| 2: 4-2 Jack | 10: Min. 1.0 μm Gold plate |
| 4: 4-4 Jack | |



Mating connectors: 4-4 modular plug

Right-angle through hole type modular jack for PCB MOD-J6()DA()A+

Modular connector

For PCB

Right-angle Through hole

FCC Standard

RoHS

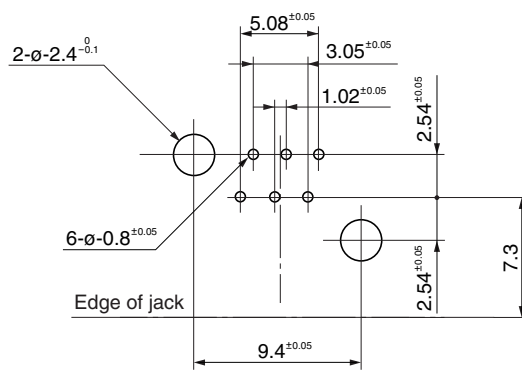
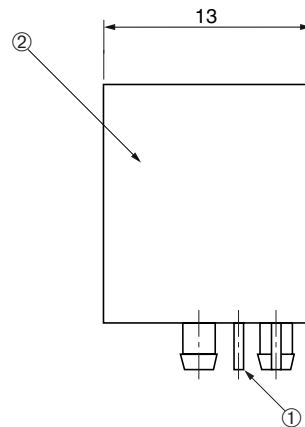
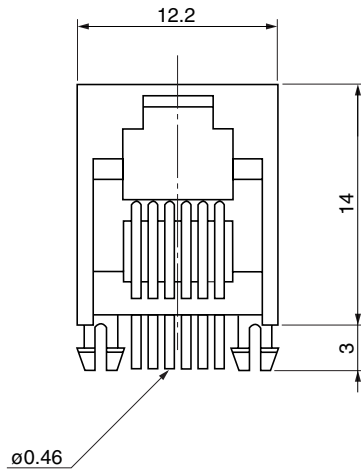


● Configuration of product Part No.

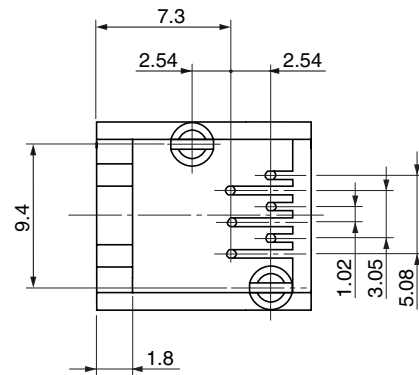
MOD- J 6 () DA () A+

① ② ③ ④ ⑤ ⑥

- ① Series name
- ② Jack
- ③ Opening size: For 6 contacts
- ④ No. of contacts
 - 2: 6-2 Jack
 - 4: 6-4 Jack
 - 6: 6-6 Jack
- ⑤ Type of contact
 - Right-angle through hole type
- ⑥ Contact plating
 - 03: Min. 0.3 μm Gold plate
 - 10: Min. 1.0 μm Gold plate



Recommended PCB layout



● Components

①	Contacts
②	Insulator

Mating connectors: 6-2, 6-4, 6-6 modular plug

Accessory: Cap: MOD-6C()

Right-angle through hole type modular jack for PCB MOD-J6()DA()B+

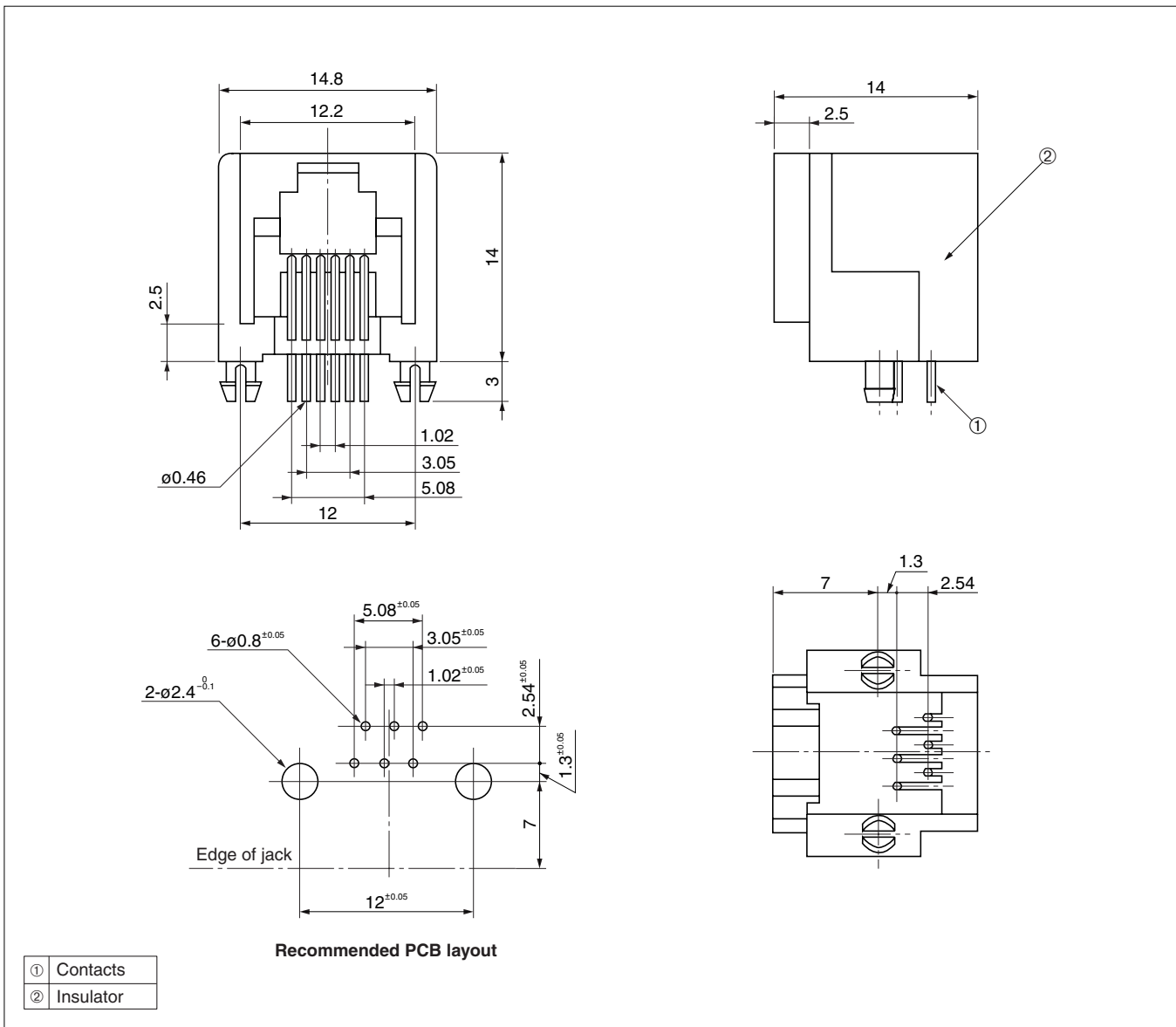
Modular connector
For PCB
Right-angle Through hole
FCC Standard

RoHS



● Configuration of product Part No.
MOD- J 6 () DA () B+

- | | |
|--------------------------------|-------------------------------|
| ① Series name | ⑤ Type of contact |
| ② Jack | Right-angle through hole type |
| ③ Opening size: For 6 contacts | ⑥ Contact plating |
| ④ No. of contacts | 03: Min. 0.3 μm Gold plate |
| 2: 6-2 Jack | 10: Min. 1.0 μm Gold plate |
| 4: 6-4 Jack | |
| 6: 6-6 Jack | |



Mating connectors: 6-2, 6-4, 6-6 modular plug

Accessory: Cap: MOD-6C()

Cap for Jack
MOD-6C()

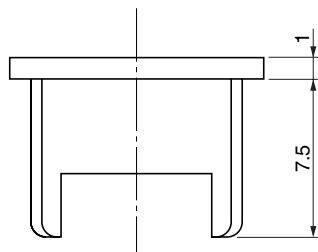
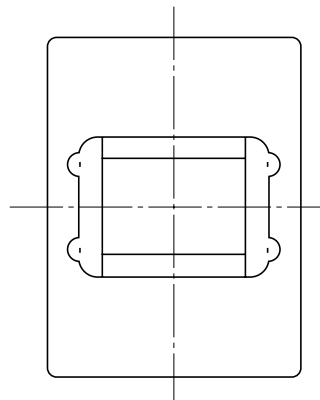
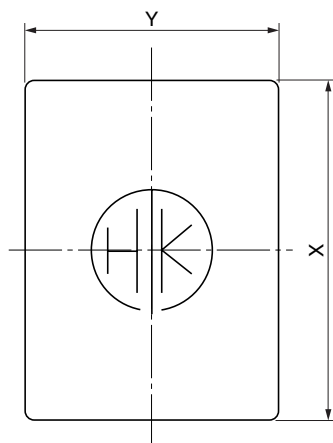


● Configuration of product Part No.

MOD- 6C ()

① ② ③

- ① Series name
- ② Cap for 6 contacts
- ③ Externals size



● Dimensions

Part No.	X	Y
MOD-6C2	15.8	12
MOD-6C2A		11
MOD-6C3	14.6	12

Mating connectors: 6-2, 6-4, 6-6 Caps for Jac

Right-angle through hole type modular jack for PCB
MOD-J88DA12A+

Modular connector
For PCB
Right-angle Through hole
IEC, FCC

RoHS

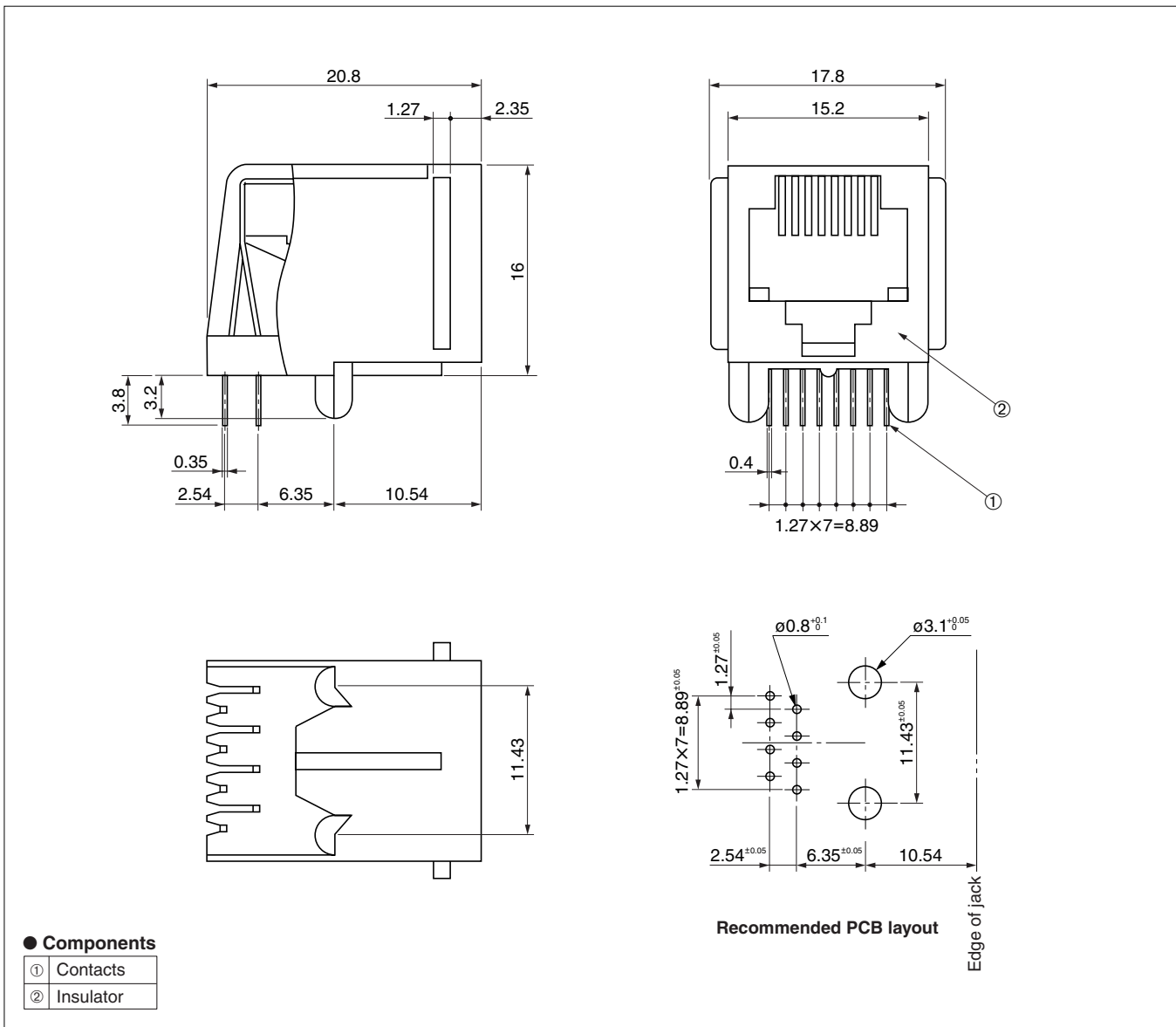


● Configuration of product Part No.

MOD- J88 DA 12 A+

① ② ③ ④

- ① Series name
- ② 8-8 Jack
- ③ Type of contact
Right-angle through hole type
- ④ Contact plating
Min. 1.27 μm Gold plate



Mating connectors: 8-8 modular plug

Right-angle SMT type modular jack for PCB
MOD-J88YA()A+

Modular connector

For PCB

Right-angle SMT

FCC

RoHS

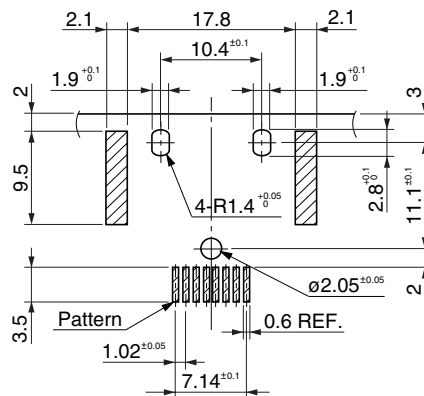
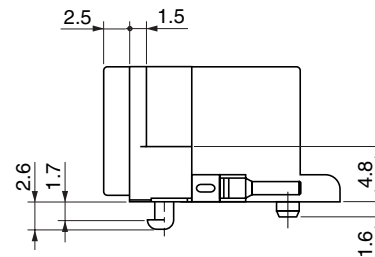
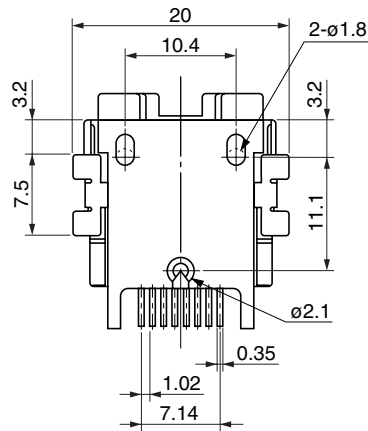
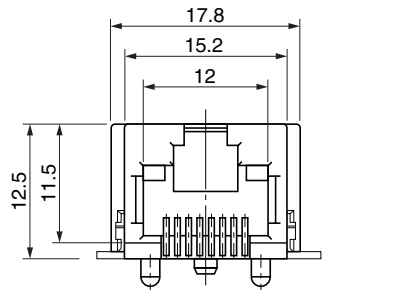
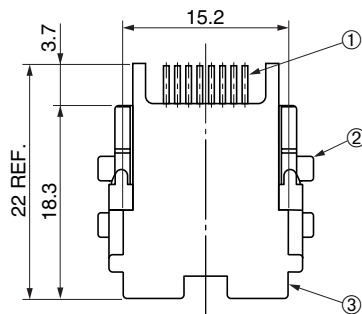


● Configuration of product Part No.

MOD- J88 YA ()A+

① ② ③ ④

- ① Series name
- ② 8-8 Jack
- ③ Type of contact
Right-angle SMT type
- ④ Contact plating
02: Min. 0.2 μm Gold plate
07: Min. 0.76 μm Gold plate
12: Min. 1.27 μm Gold plate



Recommended PCB layout

● Components

①	Contacts
②	Hold down
③	Insulator

Mating connectors: 8-8 modular plug

Right-angle SMT type modular jack for PCB
MOD-SJ88YA()A+

Modular connector
For PCB
Right-angle SMT
FCC

RoHS

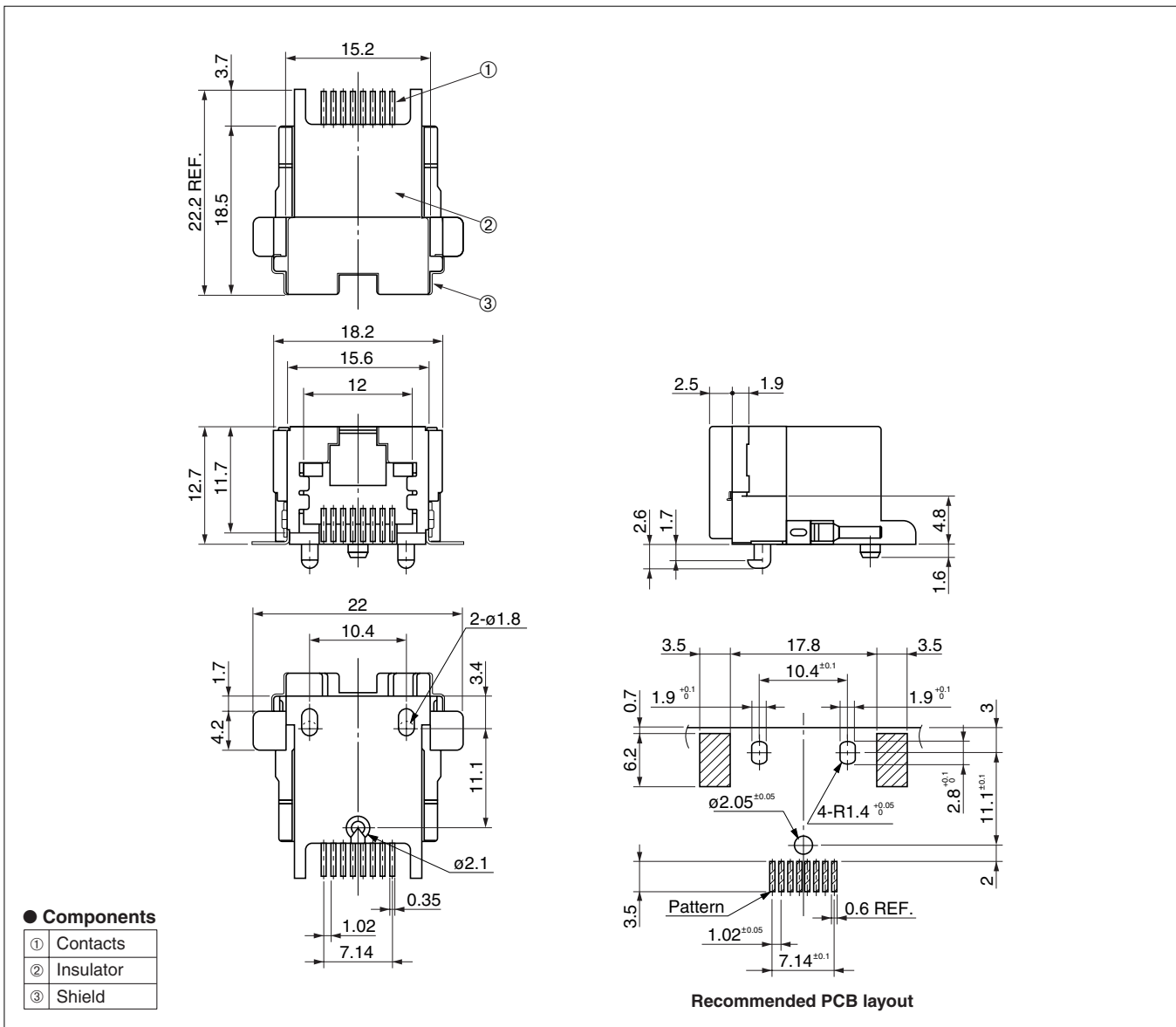


● Configuration of product Part No.

MOD- SJ88 YA () A+

① ② ③ ④

- ① Series name
- ② 8-8 Jack with shield
- ③ Type of contact
Right-angle SMT type
- ④ Contact plating
02: Min. 0.2 μm Gold plate
07: Min. 0.76 μm Gold plate
12: Min. 1.27 μm Gold plate



Mating connectors: 8-8 modular plug

Right-angle through hole type modular jack for PCB
(With ferrite core)
MOD-SJ88DA02D()+

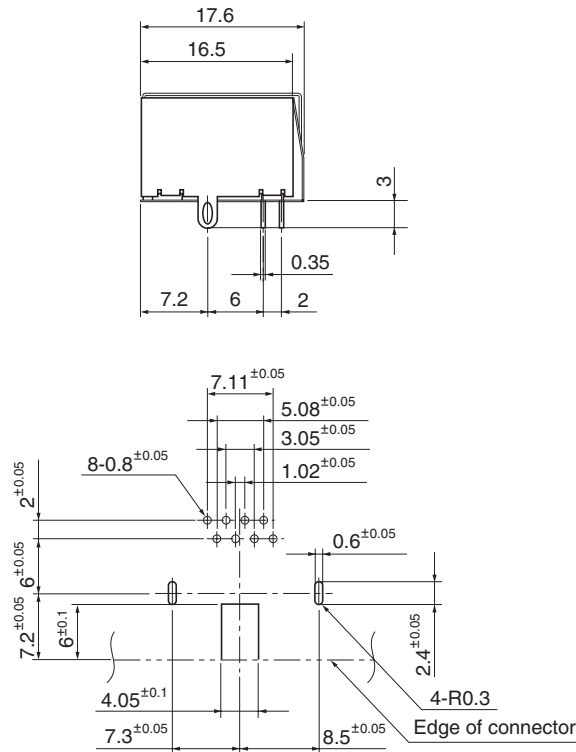
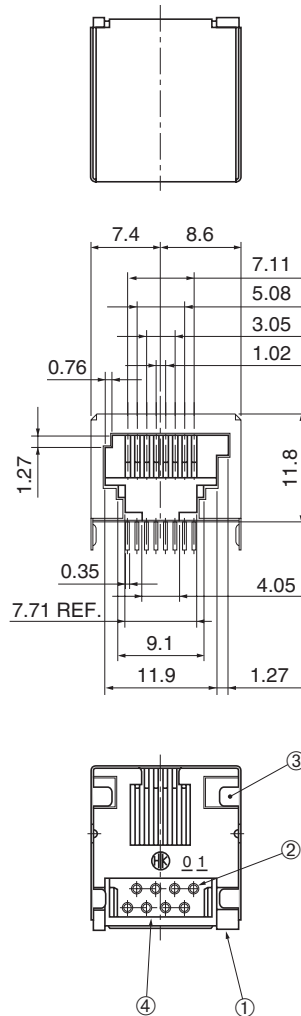


● Configuration of product Part No.

MOD- SJ88 DA 02 D()+

① ② ③ ④ ⑤

- ① Series name
- ② 8-8 Jack with shield (ISO10173)
- ③ Type of contact
Right-angle through hole type
- ④ Contact plating: Min. 0.2 μm Gold plate
- ⑤ Ferrite core
Blank: Provided
1 : None



Recommended PCB layout

● Components

①	Insulator
②	Contacts
③	Shell
④	Ferrite core

Mating connectors: 8-8 modular plug (ISO10173)

Right-angle through hole type modular jack for PCB
MOD-SJ88DA02B+

Modular connector
For PCB
Right-angle Through hole
IEC, FCC

RoHS

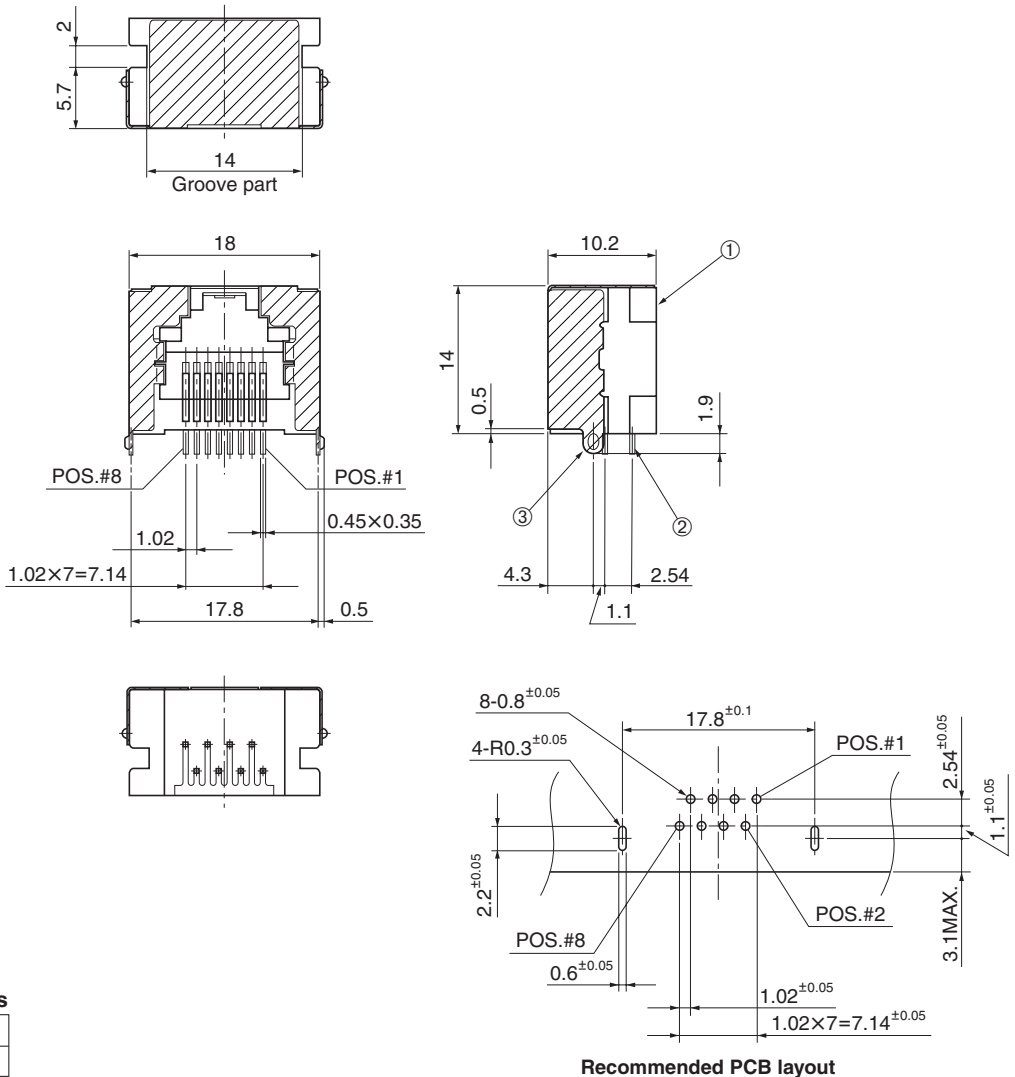


● Configuration of product Part No.

MOD- SJ88 DA 02B+

① ② ③ ④

- ① Series name
- ② 8-8 Jack with shield
- ③ Type of contact
Right-angle through hole type
- ④ Contact plating:
Min. 0.2 μm Gold plate



● Components

①	Contacts
②	Insulator
③	Shield

Mating connectors: 8-8 modular plug
 8-8 modular plug (With shield)

Right-angle SMT type modular jack for PCB
MOD-J88YA02E+

Modular connector

For PCB

Right-angle SMT

ISO 10173

RoHS

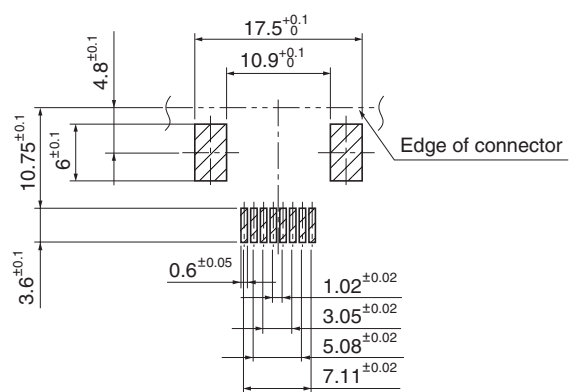
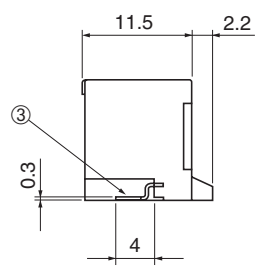
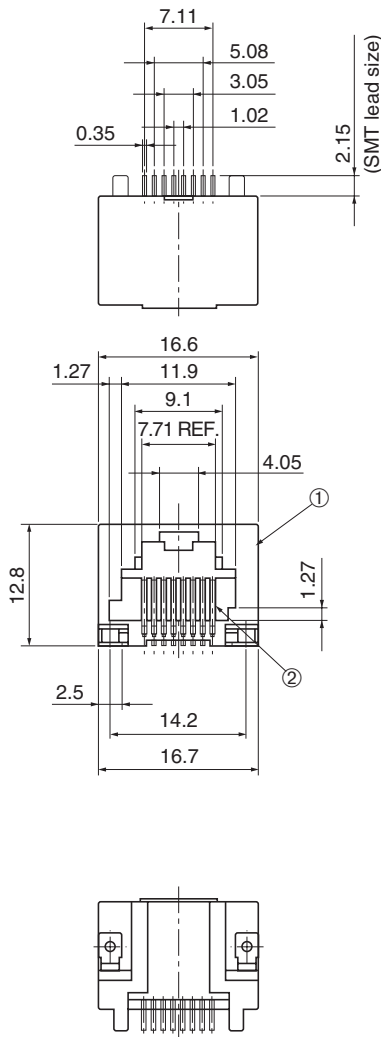


● Configuration of product Part No.

MOD- J88 YA 02 E+

① ② ③ ④

- ① Series name
- ② 8-8 Jack (ISO 10173)
- ③ Type of contact
Right-angle SMT type
- ④ Contact plating:
Min. 0.2 μm Gold plate



Recommended PCB layout

● Components

①	Insulator
②	Contacts
③	Hold down

Mating connectors: 8-8 modular plug (ISO 10173)

Right-angle RJ45 modular jack with cables for panels MOD-J88W22-AS()+

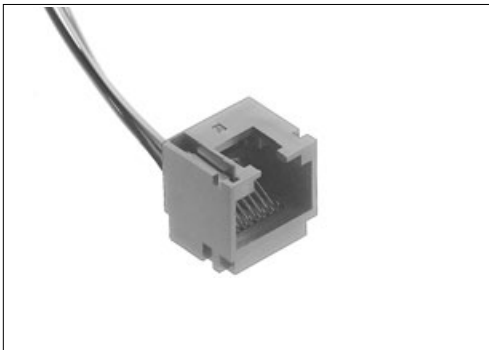
Modular connector

For panels

Right-angle, with cables

Misinsertion prevention, FCC Standard

RoHS

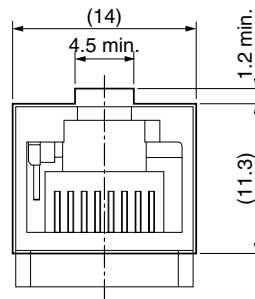
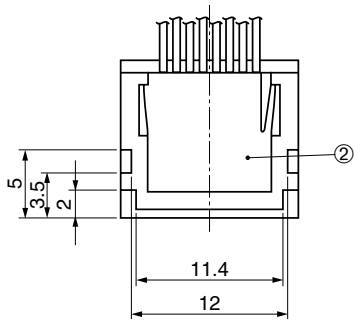


● Configuration of product Part No.

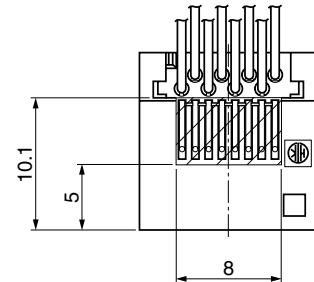
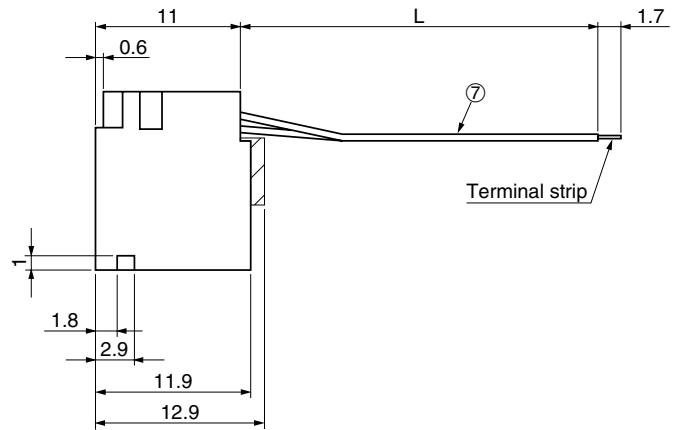
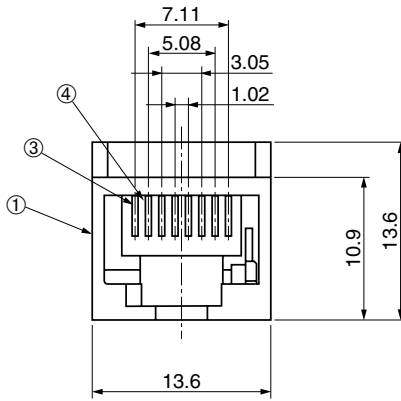
MOD- J88 W22- AS()+

① ② ③ ④

- ① Series name
- ② 8-8 jack
- ③ Misinsertion prevention, crimping type
- ④ Cable length



Recommended panel layout



● Components

①	Insulator A
②	Insulator B
③	Contacts
④	Contacts
⑤	Misinsertion prevention lever
⑥	Misinsertion prevention Key
⑦	Cable

Mating connectors: 8-8 plug

Right-angle R11 modular jack with cables for panels
MOD-J62W22-AS()+

Modular connector
For panels
Right-angle, with cables
FCC Standard

RoHS

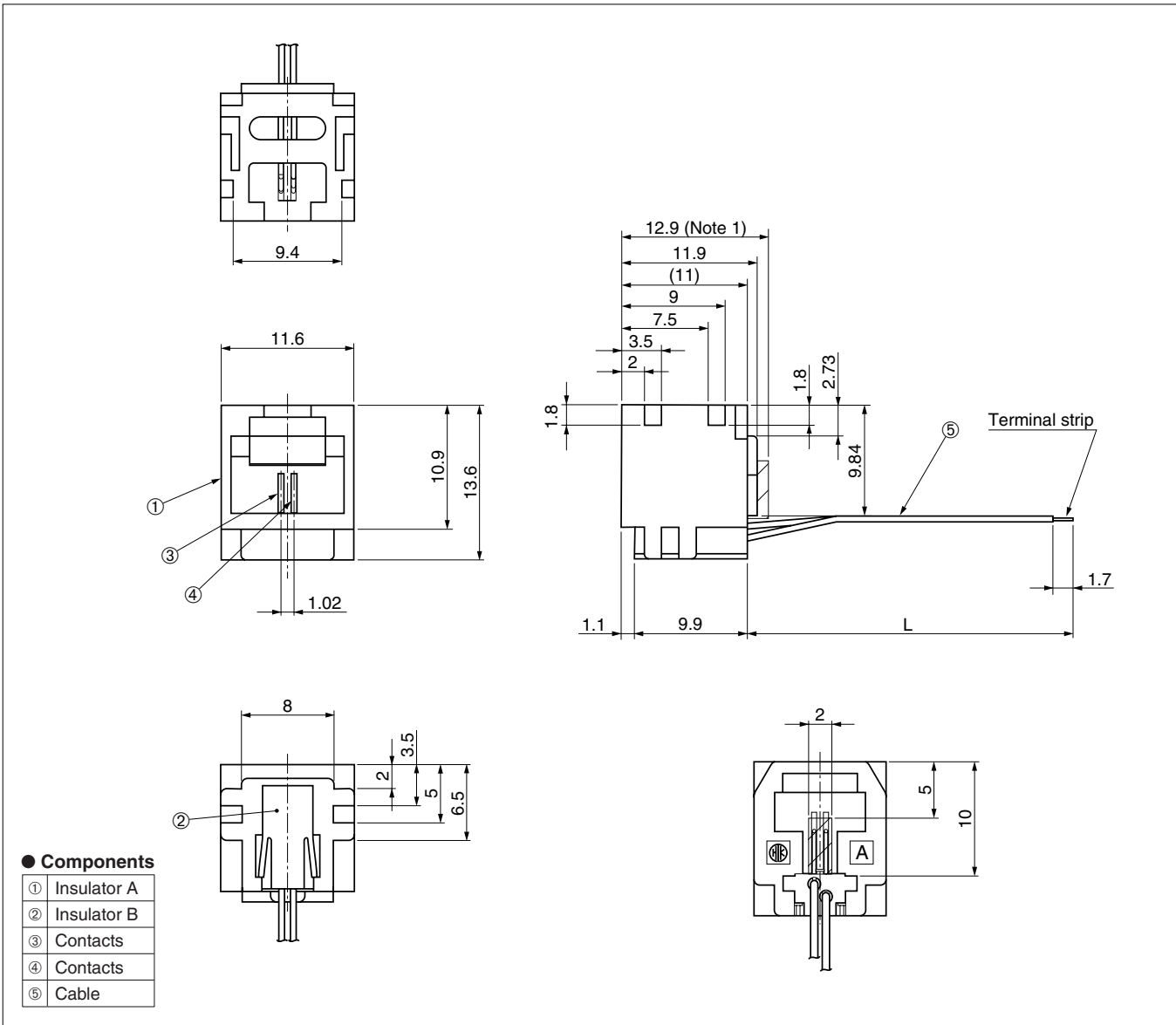


● Configuration of product Part No.

MOD- J62 W22- AS()+

① ② ③ ④

- ① Series name
- ② 6-2 jack
- ③ Misinsertion prevention, crimping type
- ④ Cable length



Mating connectors: 6-2 plug

Straight through hole type modular jack for PCB MOD-YSJ88D03C+

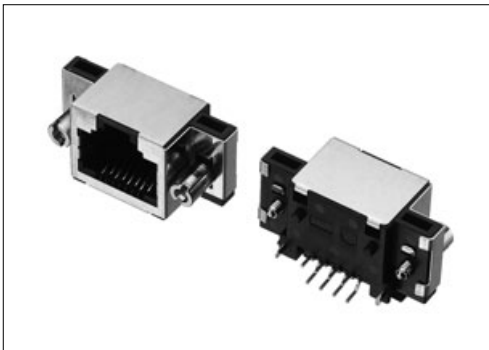
Modular connector

For panel (Screw lock)

Straight through hole

For RJ-45

RoHS

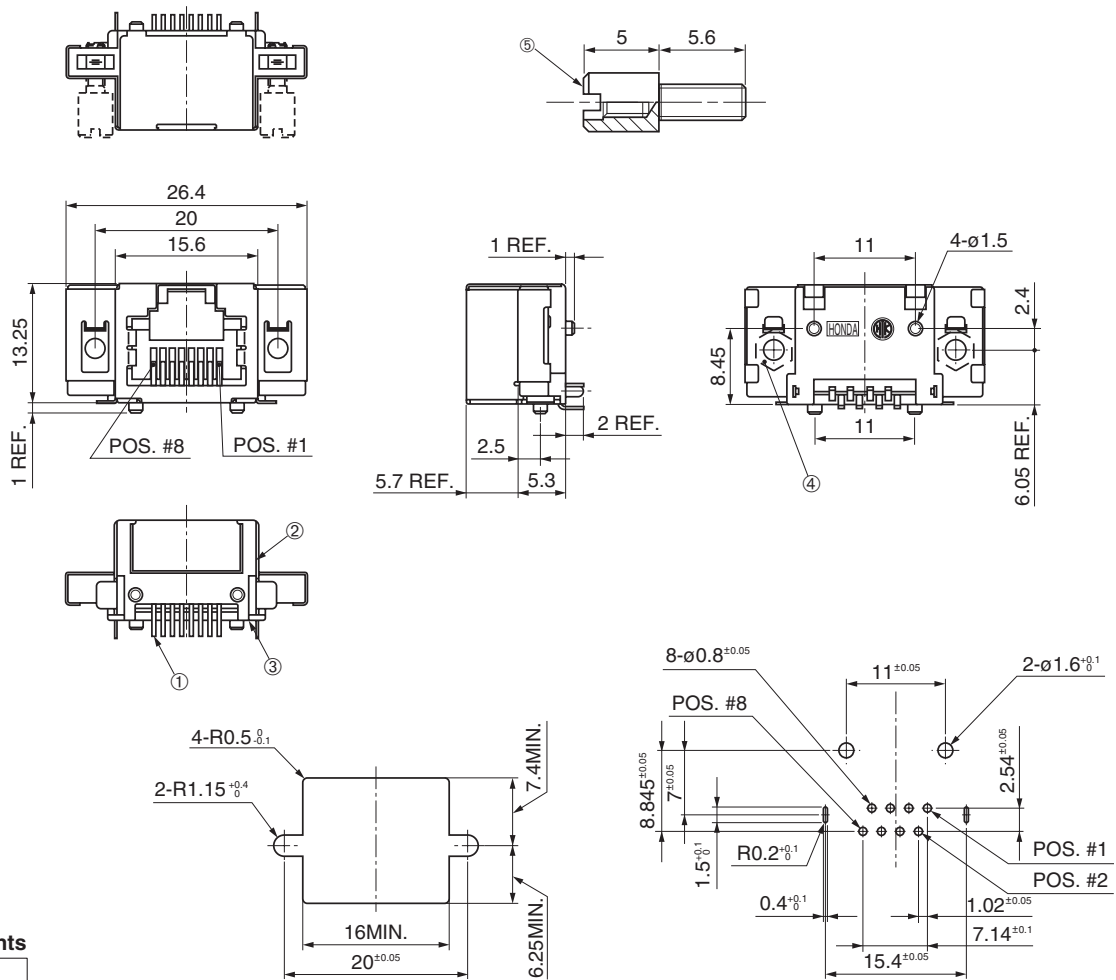


● Configuration of product Part No.

MOD- YSJ88 D03C+

① ② ③

- ① Series name
- ② 8-8 Jack with shield
- ③ Straight through hole type



● Components

①	Contacts
②	Shell
③	Insulator
④	Nuts
⑤	Screw lock

Recommended panel mounting-hole layout
t=1.2mm~1.6mm

Recommended PCB layout
t=1mm~1.6mm

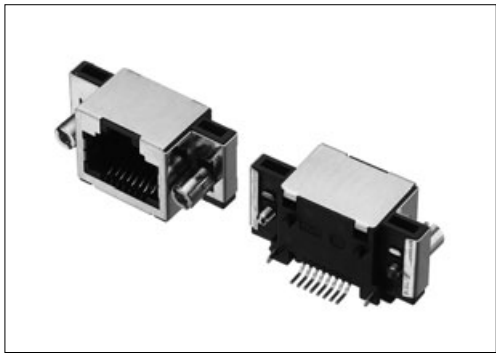
The lock screw is appended.

Mating connectors: Assembly of MOD-YSP88P03C+ use

Right-angle SMT type modular jack for PCB MOD-YSJ88YA03C+

Modular connector
For panel (Screw lock)
Right-angle SMT
For RJ-45

RoHS

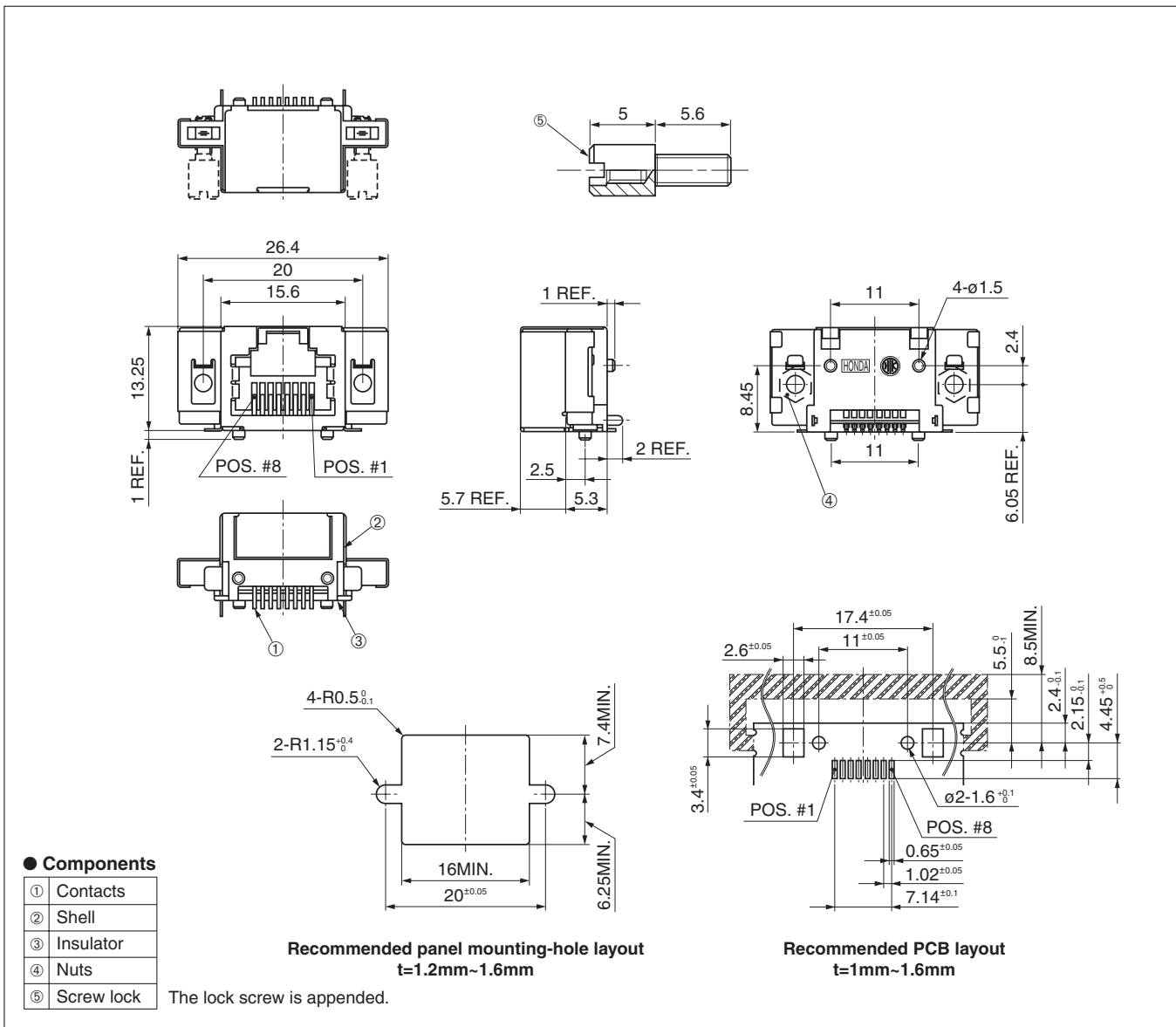


● Configuration of product Part No.

MOD- YSJ88 YA03C+

① ② ③

- ① Series name
- ② 8-8 Jack with shield
- ③ Right-angle SMT type



Mating connectors: Assembly of MOD-YSP88P03C+ use

Modular Plug MOD-YSP88P03+

Modular connector

For cable

Screw lock

RoHS



● Configuration of product Part No.

MOD- YSP88 P03+

① ② ③

- ① Series name
- ② 8-8 Jack with shield
- ③ Piyasshing

Note 1: Minimum order size is 1,000 items.
Note 2: When you buy connectors without overmold, please prepare the overmold yourself.

Technical drawings showing dimensions and components of the MOD-YSP88P03+ connector. Dimensions include 22.6, 17.9, 2.06, 10.2, 11.68, 26, 20, 26.4 REF., 19.4 REF., 8.7^{±0.2}, 3.5 REF., 29 REF., 30.15 REF., 6.6, and 20. Components are labeled ① through ⑤.

● Components

①	Contacts
②	Shell A
③	Shell B
④	Insulator
⑤	Screw lock

The lock screw is appended. **Screw lock**

Straight type

* If you are considering the purchase of harness work parts, please contact us for details.

Mating connectors: MOD-YSJ88D03C+, MOD-YSJ88YA03C+