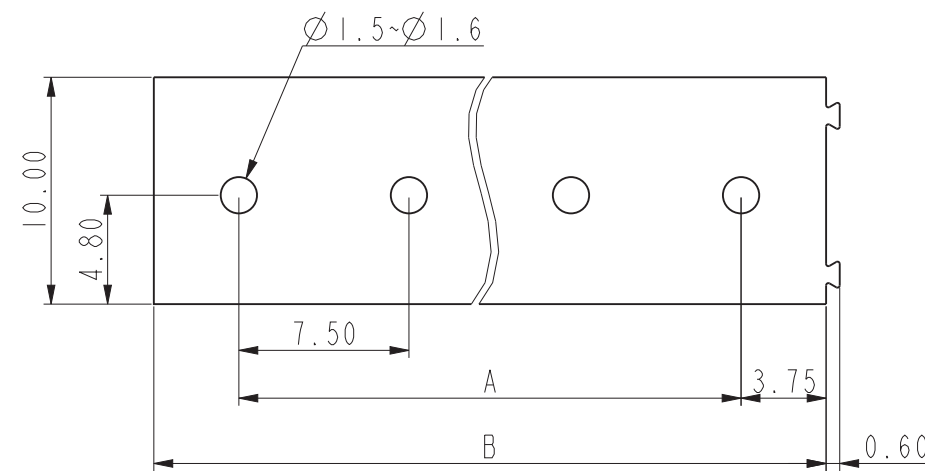
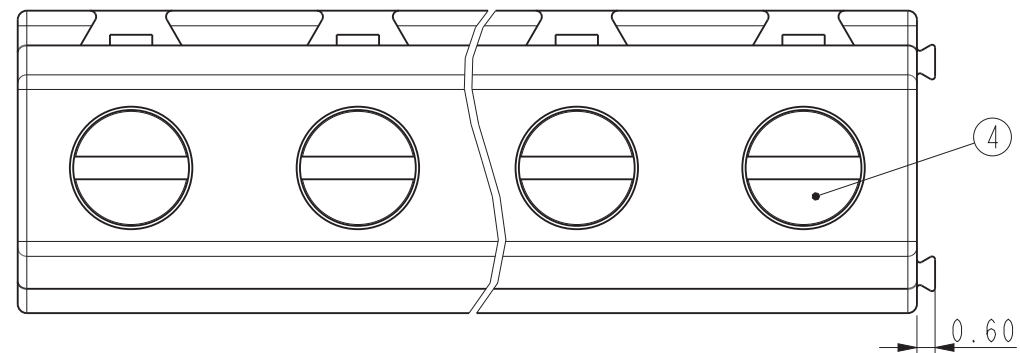
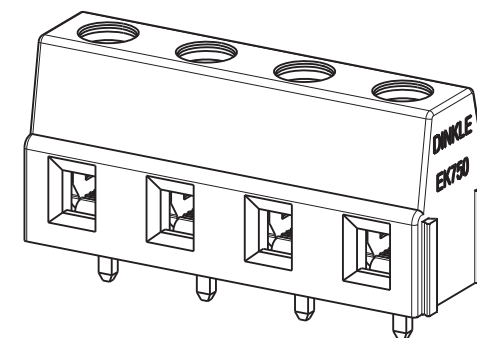
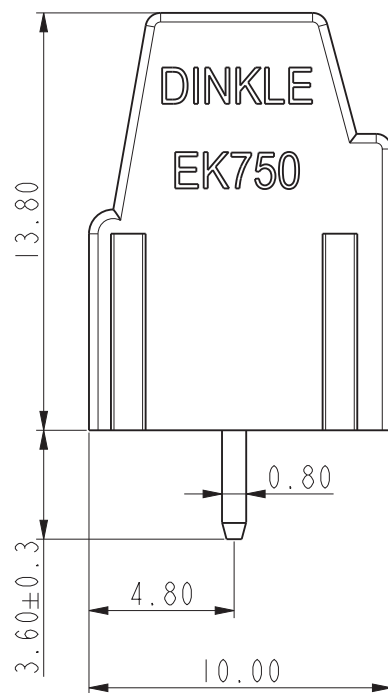
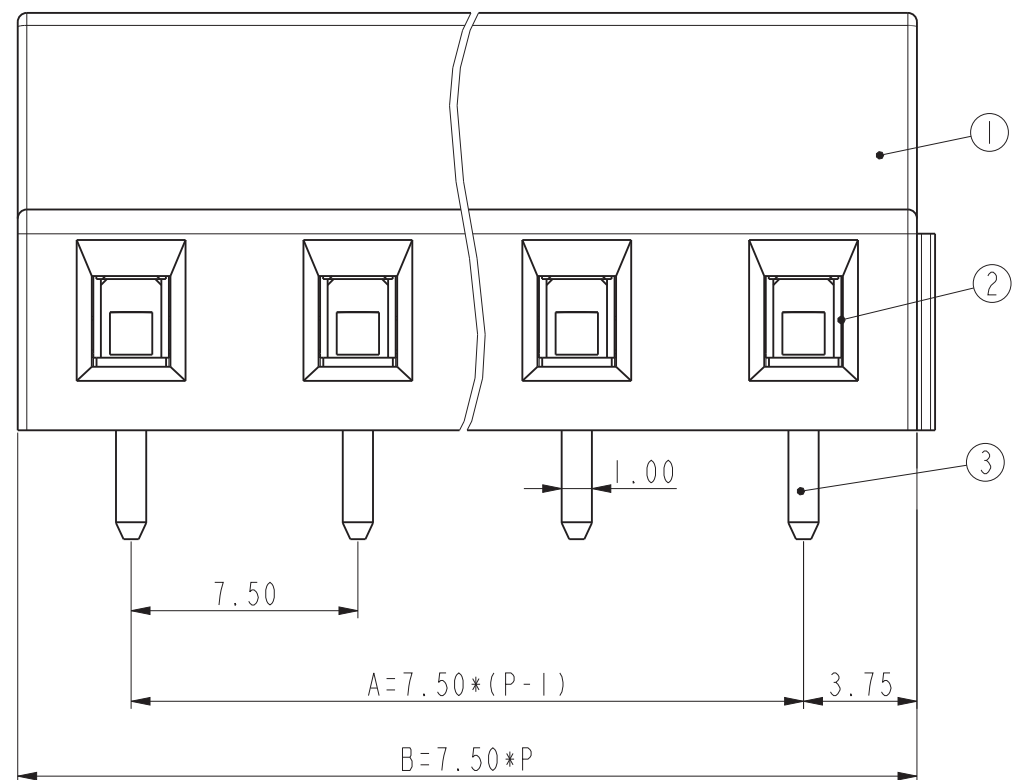


DINKLE has proprietary right to these drawings and specifications hereon, it shall not be reproduced or used as the basis for the manufacture of devices without permission. User should verify drawings are the most recent version.  
Copyright © DINKLE Enterprise Co., Ltd. All Rights reserved.



PCB LAYOUT



PART NO.:

EK750V-XXP-□

POLES  
02: 2 POLES  
03: 3 POLES  
...  
16: 16 POLES

COLOR  
BLANK: GREEN (STANDARD COLOR)  
BK: BLACK  
GY: GREY  
OR: ORANGE  
BL: BLUE

P	2	3	4	5	6	7	8	9
A	7.50	15.00	22.50	30.00	37.50	45.00	52.50	60.00
B	15.00	22.50	30.00	37.50	45.00	52.50	60.00	67.50
P	10	11	12	13	14	15	16	
A	67.50	75.00	82.50	90.00	97.50	105.00	112.50	
B	75.00	82.50	90.00	97.50	105.00	112.50	120.00	

Total Pitch Tolerances		Normal dimension Tolerances	
0~30	±0.20	0~30	±0.25
over 30~53	±0.25	over 30~53	±0.30
over 53~70	±0.30	over 53~70	±0.35
over 70~90	±0.35	over 70~90	±0.44
over 90~115	±0.44	over 90~115	±0.55
over 115~150	±0.55	over 115~150	±0.70
over 150~200	±0.70	over 150~200	±0.85
over 200~250	±0.85	over 200~250	±1.00
over 250~320	±1.00	over 250~320	±1.20

VI	I				
REV.		CONTENT	DRW.	DATE	

4	SCREW	STEEL	M2.5/ Zn Plated
3	SOLDER PIN	COPPER ALLOY	Tin Plated
2	WIRE CAGE	STEEL	M2.5/ Zn Plated
1	HOUSING	PA66	UL94-V0
ITEM	NAME OF PART	MATERIAL	NOTES

DRW.	Alan Zhang	DATE	2022-11-09	GENERAL TOLERANCE	
CHK.	Fancy.Hu	DATE	2022-11-09	SPECIFICATION FILE	SF-EK750V-001
APP.	Prince.Wang	DATE	2022-11-09	DRAWING TYPE	SP-03

PART NO. **EK750V-XXP**

**DINKLE ENTERPRISE CO., LTD.**

UNITS	mm	THIRD ANGLE PROJECTION	
SCALE	4:1	SHEET/OF	1/1

# EK750V

 规格书编号/Specification File No.: **SF-EK750V-001**

版本/Version: A2

## 一般資訊 / General Information

产品长叙述/Long description	PCB Terminal Blocks, Screw Connection, Pitch:7.50mm,M2.5, 300V,20A
产品类型/Product type	PCB Terminal Blocks
间距/Pitch (mm)	7.50
产品颜色/Color	Refer to drawing
接线方式/Connection method	Screw Connection
固定方式/Type of locking	Without
焊接方式/Soldering Method	Wave Soldering
产品长度/Length (mm)	7.50*P
产品宽度/Width (mm)	10
产品高度/Height (mm)	13.8
出脚尺寸(厚度___x 宽度___mm)/ Pin dimensions(mm)	0.8x1
出脚长度/Pin length(mm)	3.5
焊孔直径 / PCB hole diameter(mm)	1.5~1.6
电位数/Circuit diagram	2~16
产品点数/Number of poles	02P~16P
产品层数/Level	1
连接点数/Connection points	2~16

## 材料信息 / Material Information

绝缘材料/ Insulating material	PA66
绝缘材料组别 / Insulating material group	I
阻燃等级,符合 UL94 / UL94 Flammability rating	V0
绝缘阻抗/ Insulation resistance	≥500MΩ at DC 500V
导体材料/ Conductor material	COPPER ALLOY
导体表面镀层/Plating of conductor surface	Tin PLATED

## IEC数据 / IEC Data

额定电压 / Rated Voltage (V)	320
额定电流 / Rated Current (A)	24
额定电压 (II/2) / Rated Voltage (II/2) (V)	630

# EK750V

 规格书编号/Specification File No.: **SF-EK750V-001**

版本/Version: A2

额定电压 (III/2) / Rated Voltage (III/2) (V)	320
额定电压 (III/3) / Rated Voltage (III/3) (V)	250
额定冲击电压(II/2) / Rated Impulse Voltage (II/2) (kV)	4
额定冲击电压(III/2) / Rated Impulse Voltage (III/2) (kV)	4
额定冲击电压(III/3) / Rated Impulse Voltage (III/3) (kV)	4
最小硬质导线横截面积 / Conductor cross section solid. min ( mm <sup>2</sup> )	0.2
最大硬质导线横截面积 / Conductor cross section solid. max ( mm <sup>2</sup> )	2.5
最小柔性导线横截面积/ Conductor cross section stranded. min ( mm <sup>2</sup> )	0.2
最大柔性导线横截面积/ Conductor cross section stranded. max ( mm <sup>2</sup> )	2.5
柔性导线横截面积·最小的管状裸端子 / Conductor cross section flexible, with min ferrule without insulation (mm <sup>2</sup> )	0.25
柔性导线横截面积·最大的管状裸端子 / Conductor cross section flexible, with max ferrule without insulation (mm <sup>2</sup> )	1.5
柔性导线横截面积·最小的管状预绝缘端子 / Conductor cross section flexible, with min ferrule with insulation (mm <sup>2</sup> )	0.25
柔性导线横截面积·最大的管状预绝缘端子 / Conductor cross section flexible, with max ferrule with insulation (mm <sup>2</sup> )	1.5
具有相同截面积的二根最小硬质导线横截面积 / 2 conductors with same cross section, solid, min (mm <sup>2</sup> )	0.2
具有相同截面积的二根最大硬质导线横截面积 / 2 conductors with same cross section, solid, max (mm <sup>2</sup> )	1.0
具有相同截面积的二根最小柔性导线横截面积 / 2 conductors with same cross section, stranded, min (mm <sup>2</sup> )	0.2
具有相同截面积的二根最大柔性导线横截面积 / 2 conductors with same cross section, stranded, max (mm <sup>2</sup> )	1.0
具有相同截面积的二根柔性导线·最小管状裸端子 / 2 conductors with same cross section flexible, with min ferrule without insulation (mm <sup>2</sup> )	0.25
具有相同截面积的二根柔性导线·最大管状裸端子 / 2 conductors with same cross section flexible, with max ferrule without insulation (mm <sup>2</sup> )	0.75
具有相同截面积的二根柔性导线·最小双线管状预绝缘端子 / 2 conductors with same cross section flexible, min ferrule with insulation for double wire (mm <sup>2</sup> )	0.5
具有相同截面积的二根柔性导线·最大双线管状预绝缘端子 / 2 conductors with same cross section flexible, max ferrule with insulation for double wire (mm <sup>2</sup> )	1

## UL数据 / UL Data

额定电压 (UL/CUL 标准 B 组)/Rated Voltage (UL/CUL Group B)(V)	300
额定电流 (UL/CUL 标准 B 组)/Rated Current (UL/CUL Group B) (A)	20
额定电压 (UL/CUL 标准 D 组)/ Rated Voltage (UL/CUL Group D)(V)	300
额定电流 (UL/CUL 标准 D 组)/Rated Current (UL/CUL Group D) (A)	10
最小导线, 符合 UL/CUL / Min. wire connection acc. to UL/CUL(AWG)	28
最大导线, 符合 UL/CUL /Max. wire connection acc. to UL/CUL(AWG)	12
最小硬质导线, 符合 UL/CUL/ Min. solid wire connection acc. to UL/CUL(AWG)	28
最大硬质导线, 符合 UL/CUL/ Max. solid wire connection acc. to UL/CUL(AWG)	12

# EK750V

 规格书编号/Specification File No.: **SF-EK750V-001**

版本/Version: A2

## 通用参数 / General Data

螺纹规格 / Screw thread	M2.5
螺丝刀规格 / Screwdriver size	0.6x3.5
最小扭矩 / Tightening torque Min (N.m)	0.4
最大扭矩 / Tightening torque Max (N.m)	0.5
剥线长度 / Stripping Length (mm)	6~7
备注说明/Remarks	<p>为了安全的导线连接·请始终以规定的拧紧扭矩安装。由于各个触点的单个焊针无法对其进行补偿,尤其是在使用两位或三位 PCB 端子时,故在连接导线时必须对端子进行固定支撑(单手固定·支持在外壳上)。</p> <p>For safe conductor connection, always adhere to a defined tightening torque. Particularly in the case of PCB terminal blocks with two or three positions, the individual solder pin for each contact point cannot compensate for this. That is why the terminal blocks must be supported during conductor connection (held with one hand, support on the housing).</p>

## 环境与安全 / Environmental and safety

手指接触防护 IP20( IEC 60529) / Finger protection IP20(IEC60529)	YES
最高工作温度 / Operating temperature max.(°C)	120
最低工作温度 / Operating temperature min. (°C)	-40

## 产品认证/许可 / Approvals



UL Recognized 

# EK750V

 规格书编号/Specification File No.: **SF-EK750V-001**

版本/Version: A2

线径范围 B 组/Wire Range (Group B)(AWG)	28~12
额定电压 B 组/Rated Voltage (Group B)(V)	300
额定电流 B 组/Rated Current (Group B)(A)	20
线径范围 D 组/Wire Range(Group D)(AWG)	28~12
额定电压 D 组/Rated Voltage(Group D)(V)	300
额定电流 D 组/Rated Current(Group D)(A)	10

## CUL Recognized

线径范围 B 组/Wire Range (Group B)(AWG)	28~12
额定电压 B 组/Rated Voltage (Group B)(V)	300
额定电流 B 组/Rated Current (Group B)(A)	20
线径范围 D 组/Wire Range(Group D)(AWG)	28~12
额定电压 D 组/Rated Voltage(Group D)(V)	300
额定电流 D 组/Rated Current(Group D)(A)	10