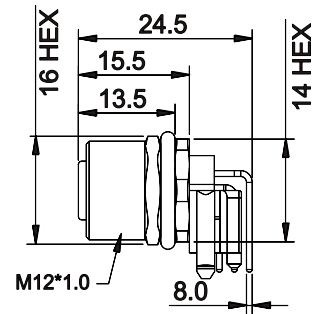


Female panel connector

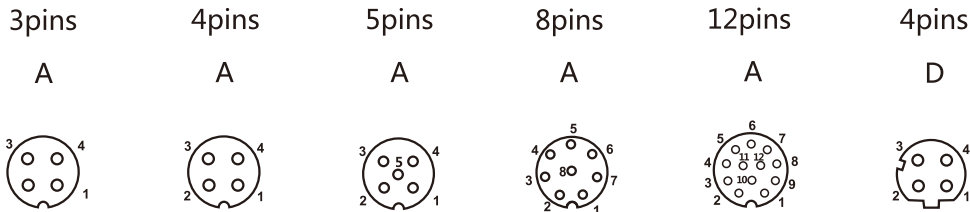
Product figure (M12*1.0 90° front fastened DIP)



Scale diagram



Contact layout/针孔排布 (Front view/前视图)



Order Data/订货信息

Contacts/芯数	Coding	Order No/订货号	P/N/料号
2pins	A	120102-04-011	PMM12FAF02011
3pins	A	120103-04-011	PMM12FAF03011
4pins	A	120104-04-011	PMM12FAF04011
	D	120404-04-005	PMM12FDF04004
5pins	A	120105-04-011	PMM12FAF05011
8pins	A	120108-04-011	PMM12FAF08011
12pins	A	120112-04-011	PMM12FAF12011

Specifications/技术参数

Number of contacts/芯数	3	4	5	8	12
Termination/接线方式	PCB/插板式				
Wire gauge/线规	—				
Operating temperature/工作温度	-25°C ~ +85°C				
Mechanical operation/插拔次数	> 500 mating cycles				
Rated voltage/额定电压	250V		60V	30V	
Rated current (40°C)/额定电流	4A			2A	1.5A
Protection degree/防护等级	IP67/IP68				
Contact resistance/接触电阻	< 10mΩ				
Insulation resistance/绝缘电阻	≥ 100MΩ				
Pin contact/插针材料	CuZn				
Socket contact/插孔材料	CuSn				
Contact plating/针孔镀层材料	Au				