
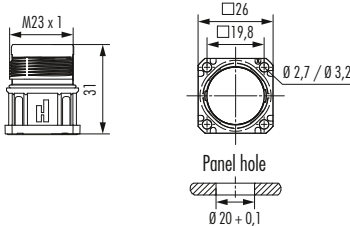





Housings

Panel Connectors, Male Thread, Front Mounting TWILOCK/TWILOCK-S*




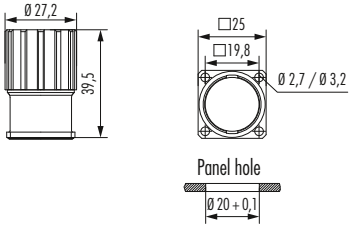


Type	Part Number
4 holes Ø 3,2 mm (.13")	7.601.000.000
4 holes Ø 2,7 mm (.11")	7.605.000.000
* intermateable with Speedtec	
4 x holes 3,2 mm, Flange 25x25	7.601.000.005
4 x holes 3,2 mm, Flange 28x28	7.601.100.005




Panel Connector with knurled Nut, Front Mounting




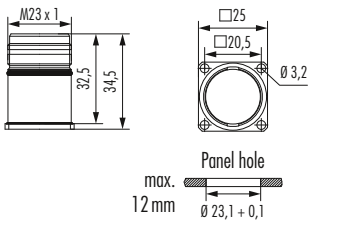


Type	Part Number
4 holes Ø 3,2 mm (.13")	7.641.000.000
4 holes Ø 2,7 mm (.11")	7.645.000.000



Panel Connector, Male Thread, Rear Mounting





Type	Part Number
With anti-vibration O-Ring	
4 holes Ø 3,2 mm (.13")	7.661.000.000 ¹





Housing without inserts and contacts

¹ No compatibility with TWILOCK