

EMI-filtered screw-lock vertical type plastic housing
HDR-E26LPH

Housing

Vertical

RoHS

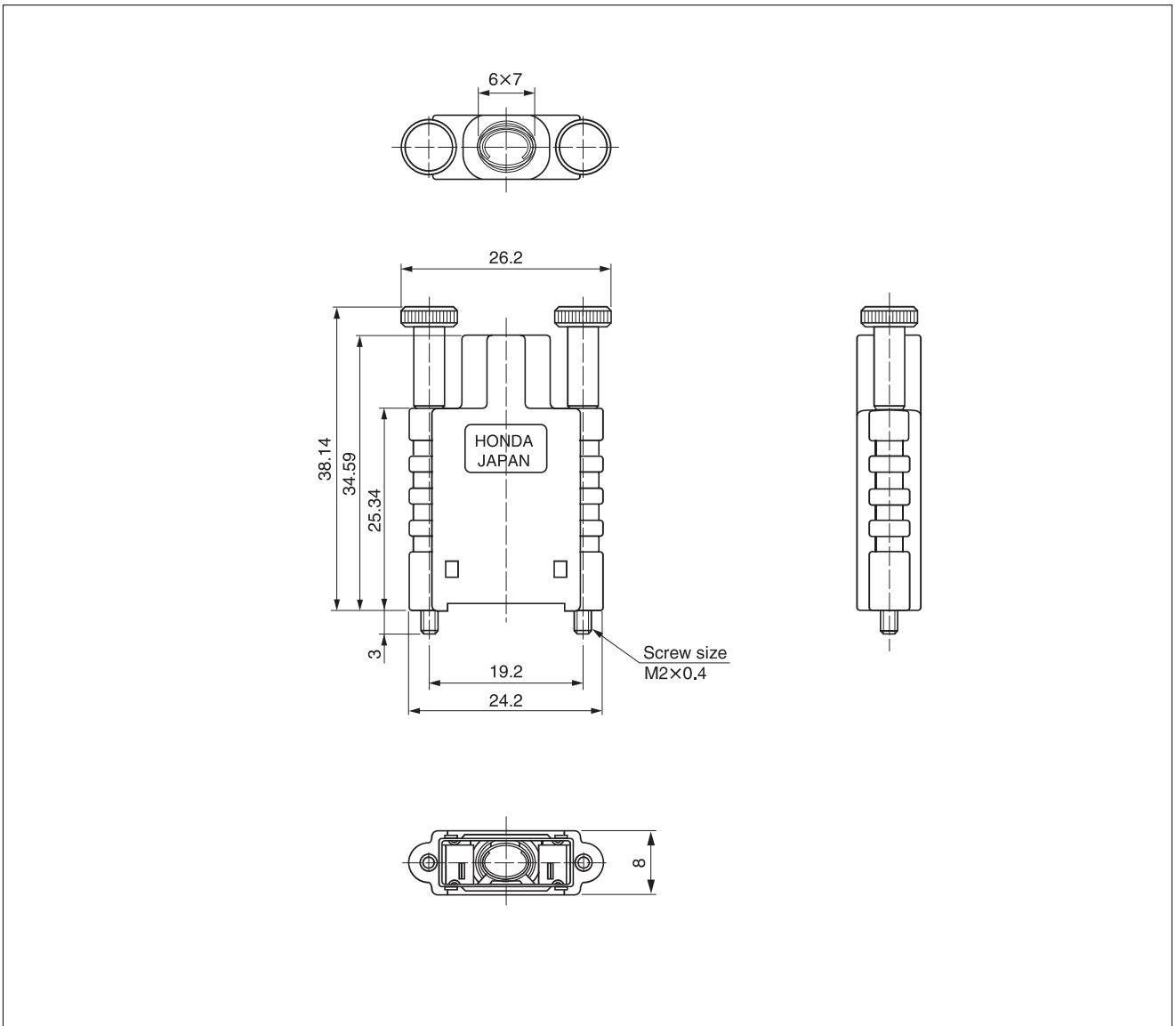
EMI shielded



● Configuration of product Part No.

HDR- E 26 LP H

- ① Series name
- ② No. of contacts: 26
- ③ Type of housing
- ④ Serial number



Mating connector: HDR series female connector

For use with connector: HDR-E26MAG1+, HDR-E26MSG1+

Required tools: Clamp caulking tools: MHPT-0006A