

**Soldering type female connector for cables**  
**HDR-E26FSG1+**

**0.8 mm pitch connector**

**For cables**

**Soldering type**

**RoHS**

**EMI-filtered countermeasures**

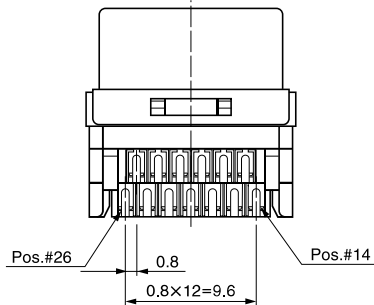
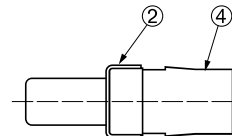
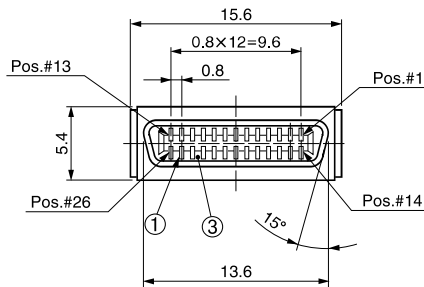
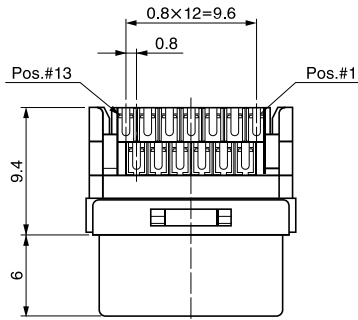


● Configuration of product Part No.

**HDR- E 26 FS G1+**

① ② ③ ④ ⑤

- ① Series name
- ② With metal shell
- ③ No. of contacts: 26
- ④ Form of housing  
 FS: Soldering type, female connector, AWG#28  
 Insulator OD: 1.0 mm max.
- ⑤ Contact plating  
 G1: Min. 0.76 mm Gold plate



● Components

①	Female Contact
②	Shell
③	Insulator
④	Spacer

Mating connector: HDRA series, male connector

For use with connectors: HDR-E26LPH( ), HDR-E26LPJ+, HDR-E26LPK( ), HDR-E26ALP( )+