

**FILTER FANS**  
 "FF" series

virdis

**FF15D24UNR**

standard with fan

> CONTACT US



FF series exhaust filter and filter fans represents a side-mounted cooling solution with filtered ambient air to maintain optimum ventilation inside the electrical cabinets. Screwless connection, fast tool-free mounting system with clip and maintenance friendliness are the main benefits. Available in a wide range of configurations for both indoor and outdoor use.

VENTILATION SYSTEMS

Technical data		
<b>APPROVALS</b>		
Approvals	CE; UR; cULus; cCSAus	
<b>PERFORMANCE</b>		
Max Airflow	285	m <sup>3</sup> /h
	168	CFM
Airflow with Exhaust Filter	210	m <sup>3</sup> /h
	124	CFM
Max Static Pressure	148	Pa
	0.59	in H <sub>2</sub> O
<b>ELECTRICAL DATA</b>		
Rated Voltage	24	V d.c.
Rated Current	0.71	A
Rated Power	17	W
Operating Voltage	17-28	V d.c.
Motor Protection	Electronically Protected	
<b>MECHANICAL DATA</b>		
Mounting Wall Thickness	1.3-3.7	mm
	0.05-0.15	in
<b>GENERIC DATA</b>		
Spare Parts Filter Media	M15FPF-EU3	
Casing Material	PC/ABS UL94 V-0	
RAL Number	7035	

Image is for illustrative purpose only. All specifications, data and drawing are subject to change without notice. Please refer to our terms of sales including our warranty and limited liabilities clauses.

FF15D24UNR

standard with fan

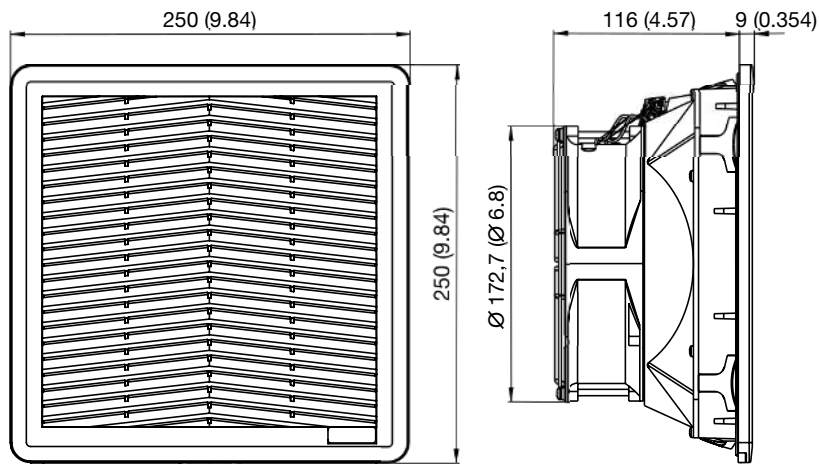
Technical data		
Airflow Direction	Reverse	
Electrical Connection	Screwless Terminal Block	
Life Expectancy	100000	h at 25 °C
	100000	h at 77 °F
Wires Section	20-14	AWG
Wires Section	0.75-2.5	mm <sup>2</sup>
Fan Noise	60	dB(A)
Filter Class	ISO coarse 55%	ISO 16890
Filter Class	G3	EN 779
Filter Material	thermo-linked progressive structure synthetic fibre	
ENVIRONMENTAL AND THERMAL DATA		
IP Protection Degree	IP54	
Operating Temperature	-10÷55	°C
	14÷131	°F
Storage Temperature	-40÷70	°C
	-40÷158	°F
UL DATA		
UL File Number Recognized Component	E237844	
UL File Number Listed	E500932	
UL Environmental Type Rating	Type 12	
UL Ambient Temperature	55	°C
	131	°F

Image is for illustrative purpose only. All specifications, data and drawing are subject to change without notice. Please refer to our terms of sales including our warranty and limited liabilities clauses.

FF15D24UNR

standard with fan

Technical drawing mm (in)



Mounting cut-out mm (in)

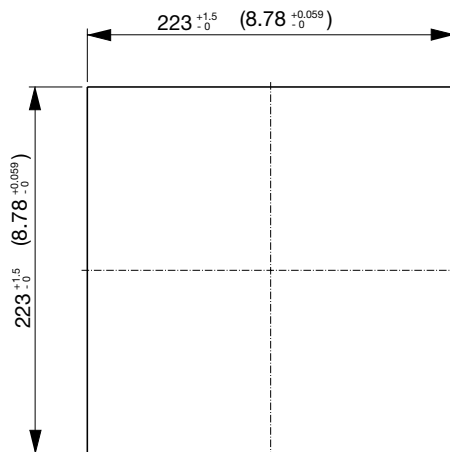


Image is for illustrative purpose only. All specifications, data and drawing are subject to change without notice. Please refer to our terms of sales including our warranty and limited liabilities clauses.

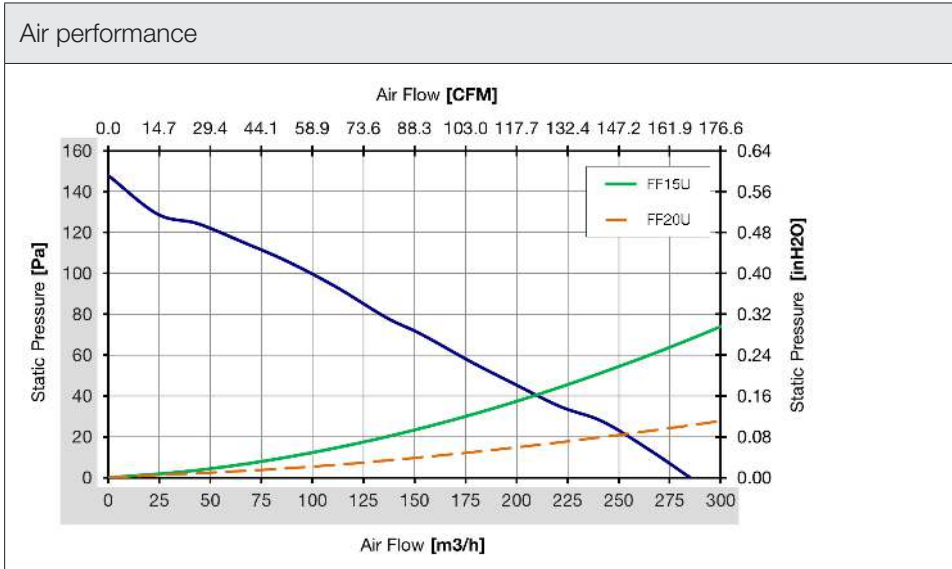


Image is for illustrative purpose only. All specifications, data and drawing are subject to change without notice. Please refer to our terms of sales including our warranty and limited liabilities clauses.