

FILTER FANS
 "FF" series

virdis

FF08GD24UNR

standard with fan

> CONTACT US

VENTILATION SYSTEMS



FF series exhaust filter and filter fans represents a side-mounted cooling solution with filtered ambient air to maintain optimum ventilation inside the electrical cabinets. Screwless connection, fast tool-free mounting system with clip and maintenance friendliness are the main benefits. Available in a wide range of configurations for both indoor and outdoor use.

| Technical data | | |
|-----------------------------|--------------------------|--------|
| APPROVALS | | |
| Approvals | CE; cURus; cULus; cCSAus | |
| PERFORMANCE | | |
| Max Airflow | 64 | m³/h |
| | 38 | CFM |
| Airflow with Exhaust Filter | 42 | m³/h |
| | 25 | CFM |
| Max Static Pressure | 210 | Pa |
| | 0.84 | in H2O |
| ELECTRICAL DATA | | |
| Rated Voltage | 24 | V d.c. |
| Rated Current | 0.71 | A |
| Rated Power | 17 | W |
| Operating Voltage | 14-27.6 | V d.c. |
| Motor Protection | Electronically Protected | |
| MECHANICAL DATA | | |
| Mounting Wall Thickness | 1-2 | mm |
| | 0.04-0.08 | in |
| GENERIC DATA | | |
| Spare Parts Filter Media | M08FPF | |
| Casing Material | PC/ABS UL94 V-0 | |
| RAL Number | 7035 | |

Image is for illustrative purpose only. All specifications, data and drawing are subject to change without notice. Please refer to our terms of sales including our warranty and limited liabilities clauses.

FF08GD24UNR

standard with fan

| Technical data | | |
|-------------------------------------|---|------------|
| Airflow Direction | Reverse | |
| Electrical Connection | Wires | |
| Life Expectancy | 100000 | h at 25 °C |
| | 100000 | h at 77 °F |
| Wires Section | 26 | AWG |
| Fan Noise | 59 | dB(A) |
| Filter Class | ISO coarse 55% | ISO 16890 |
| Filter Class | G3 | EN 779 |
| Filter Material | thermo-linked progressive structure synthetic fibre | |
| ENVIRONMENTAL AND THERMAL DATA | | |
| IP Protection Degree | IP54 | |
| Operating Temperature | -10÷55 | °C |
| | 14÷131 | °F |
| Storage Temperature | -40÷70 | °C |
| | -40÷158 | °F |
| UL DATA | | |
| UL File Number Recognized Component | E237844 | |
| UL File Number Listed | E500932 | |
| UL Environmental Type Rating | Type 1 | |
| UL Ambient Temperature | 55 | °C |
| | 131 | °F |

Image is for illustrative purpose only. All specifications, data and drawing are subject to change without notice. Please refer to our terms of sales including our warranty and limited liabilities clauses.

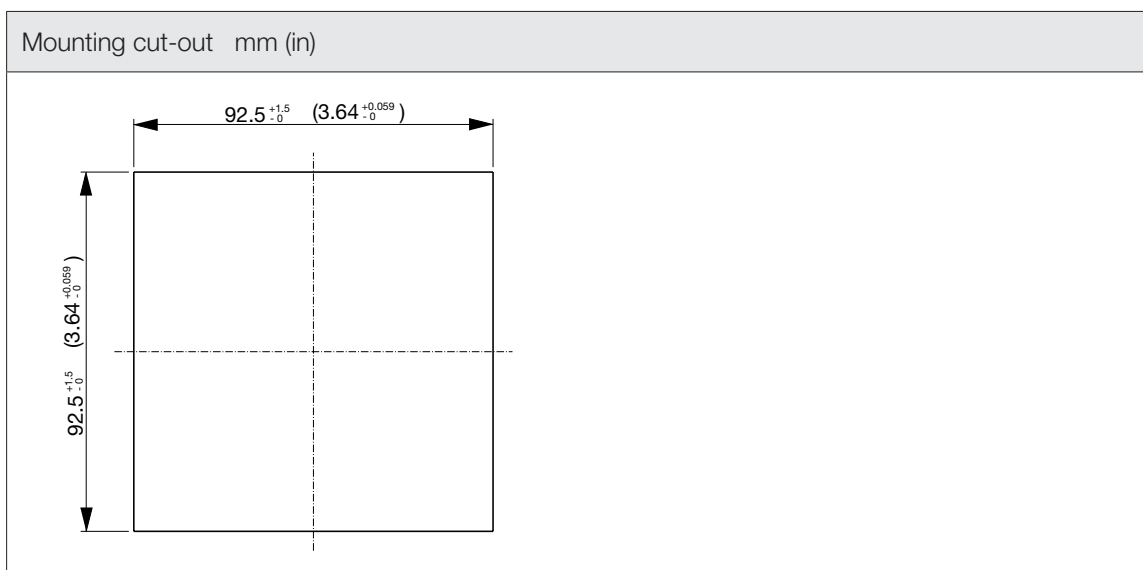
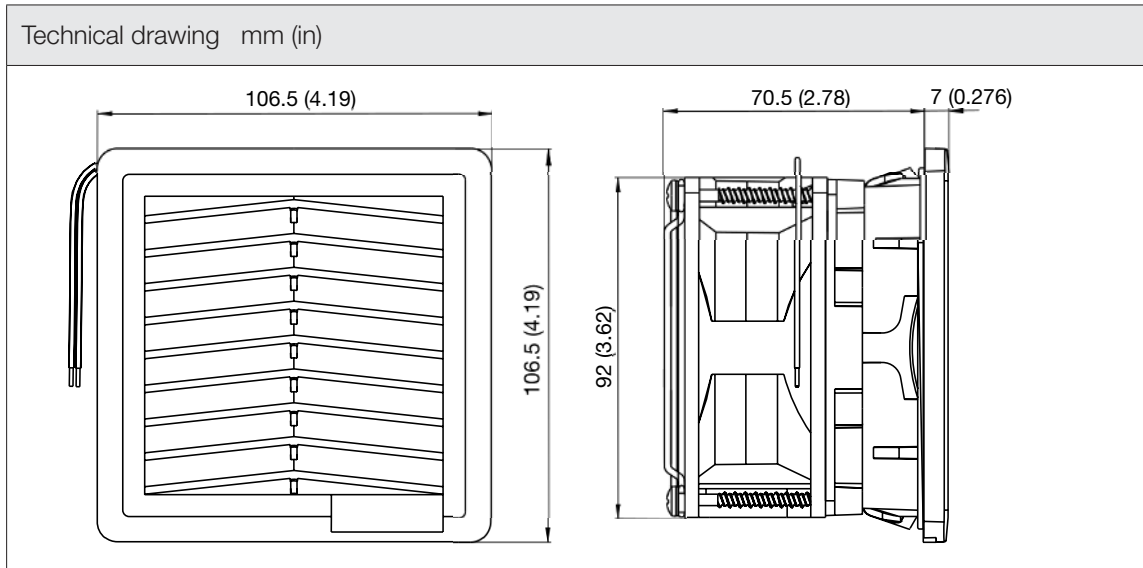


Image is for illustrative purpose only. All specifications, data and drawing are subject to change without notice. Please refer to our terms of sales including our warranty and limited liabilities clauses.

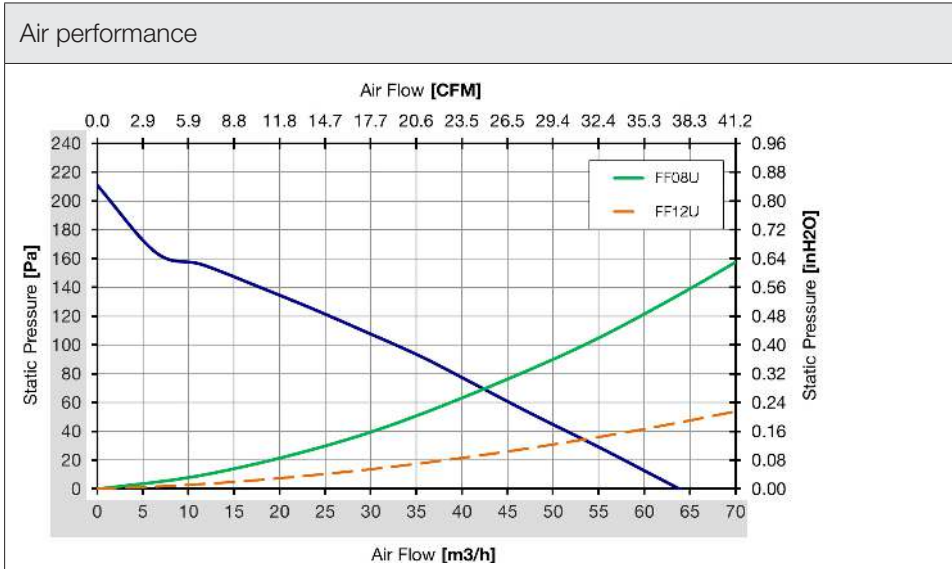


Image is for illustrative purpose only. All specifications, data and drawing are subject to change without notice. Please refer to our terms of sales including our warranty and limited liabilities clauses.